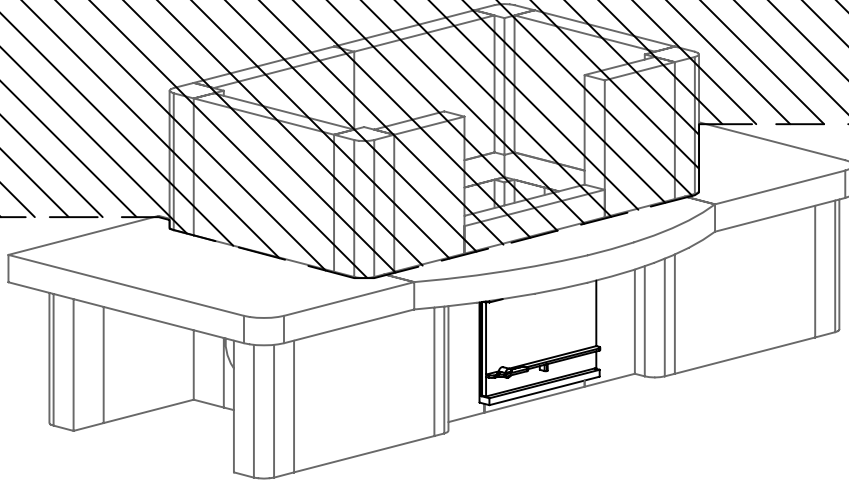


TU2200 Weight: 3800 lbs



TULIKIVI, US
PO Box 7547
Charlottesville, VA 22906
(800) 843-3473

OPTION	Base Model		
MODEL	TU2200	DRAWN BY	D.P.BYRAM
		DATE	6/14/10



2200BN101E:
2 Sided Bench/E Profile

Weight: 880 lbs



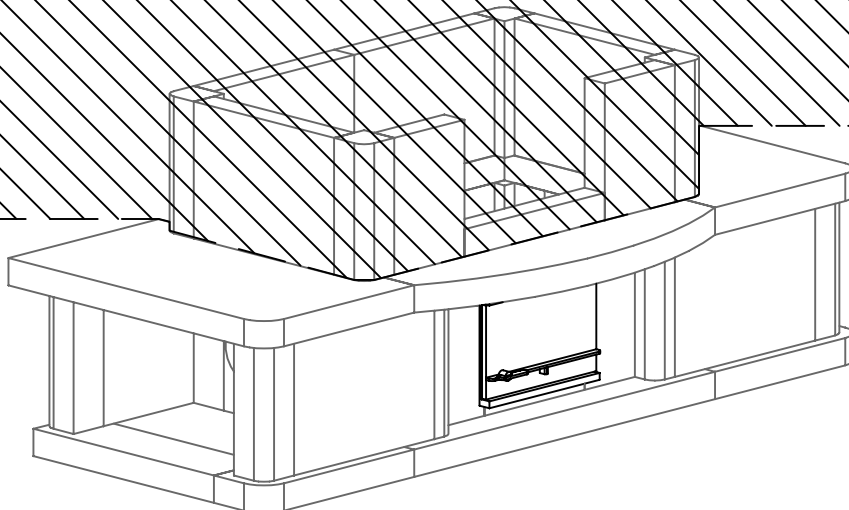
TULIKIVI, US
PO Box 7547
Charlottesville, VA 22906
(800) 843-3473

OPTION 2200BN101E

MODEL TU2200

DRAWN BY D.P.BYRAM

DATE 5/04/10



2200BN101EPDE:
2 Sided Bench
with Pedestal/E Profile

Weight: 1375 lbs



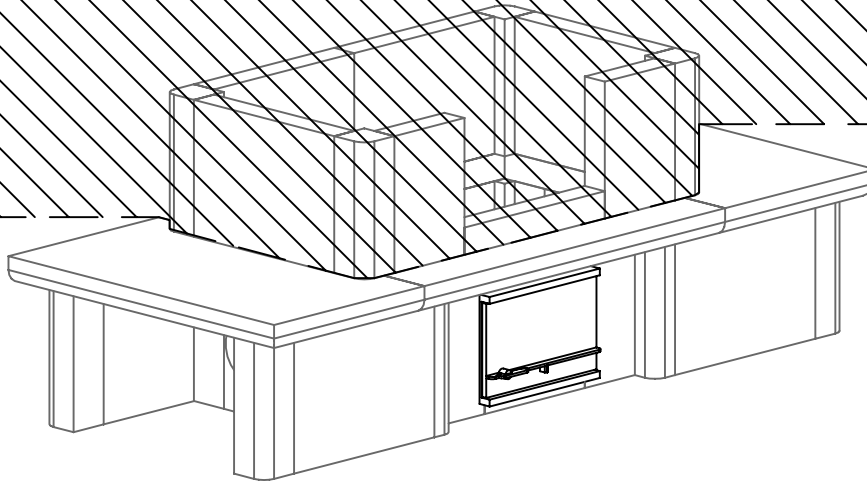
TULIKIVI, US
PO Box 7547
Charlottesville, VA 22906
(800) 843-3473

OPTION 2200BN101EPDE

MODEL TU2200

DRAWN BY D.P.BYRAM

DATE 6/14/10



2200BN101C
2 Sided Bench/C Profile

Weight: 870 lbs



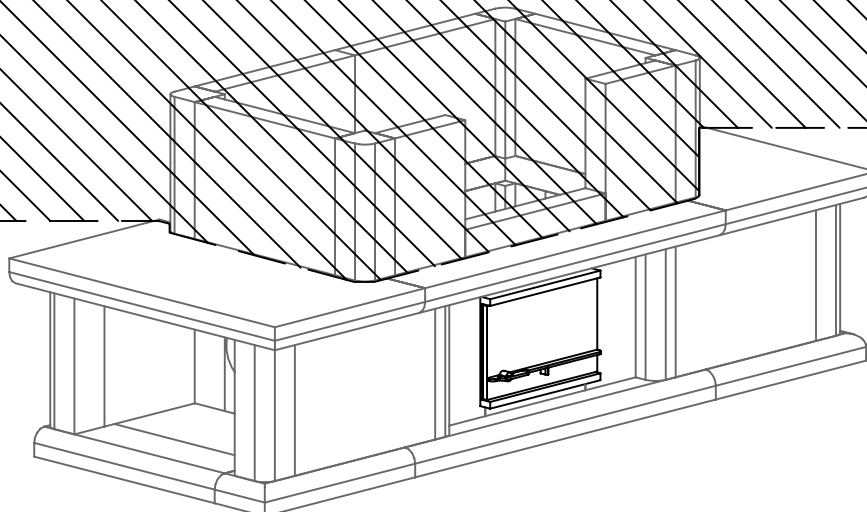
TULIKIVI, US
PO Box 7547
Charlottesville, VA 22906
(800) 843-3473

OPTION 2200BN102C

MODEL TU2200

DRAWN BY D.P.BYRAM

DATE 6/14/10



2200BN102CPDC
2 Sided Bench
with Pedestal/C Profile

Weight: 1365 lbs



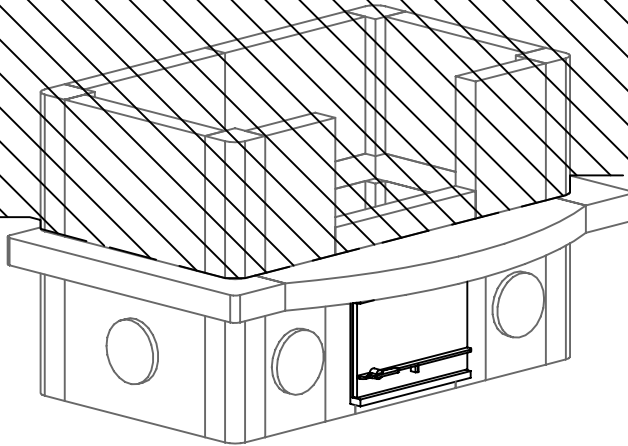
TULIKIVI, US
PO Box 7547
Charlottesville, VA 22906
(800) 843-3473

OPTION 2200BN102CPDC

MODEL TU2200

DRAWN BY D.P.BYRAM

DATE 5/04/10



2200BN103E
Small Bench w/Curved Front/E Profile

Weight: 275 lbs



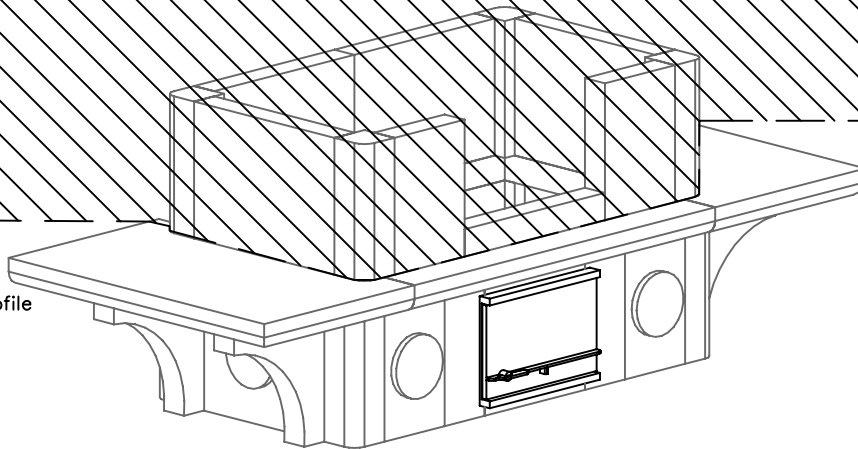
TULIKIVI, US
PO Box 7547
Charlottesville, VA 22906
(800) 843-3473

OPTION 2200BN103E

MODEL TU2200

DRAWN BY D.P.BYRAM

DATE 6/14/10



2200BN104C
2 Sided Bench
w/Corbeled Supports/C Profile

Weight: 615 lbs



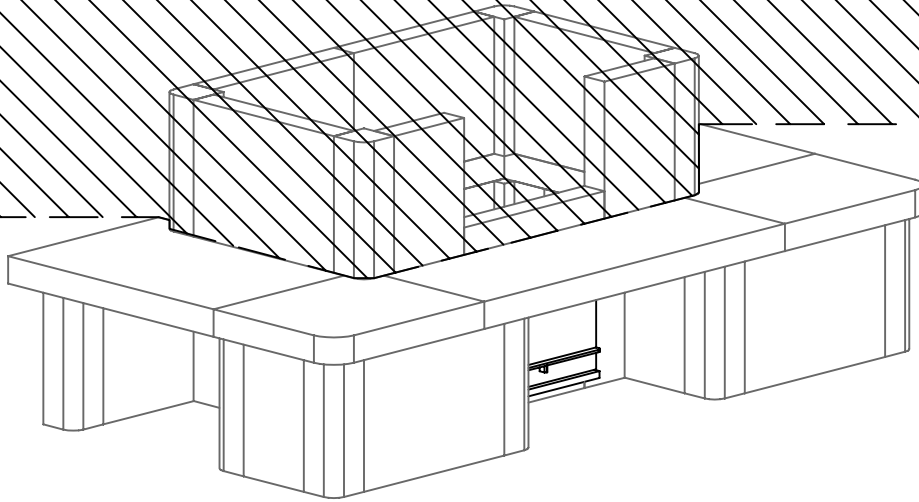
TULIKIVI, US
PO Box 7547
Charlottesville, VA 22906
(800) 843-3473

OPTION 2200BN104C

MODEL TU2200

DRAWN BY D.P.BYRAM

DATE 6/14/10



2200BN105E
3 Sided Bench/E Profile

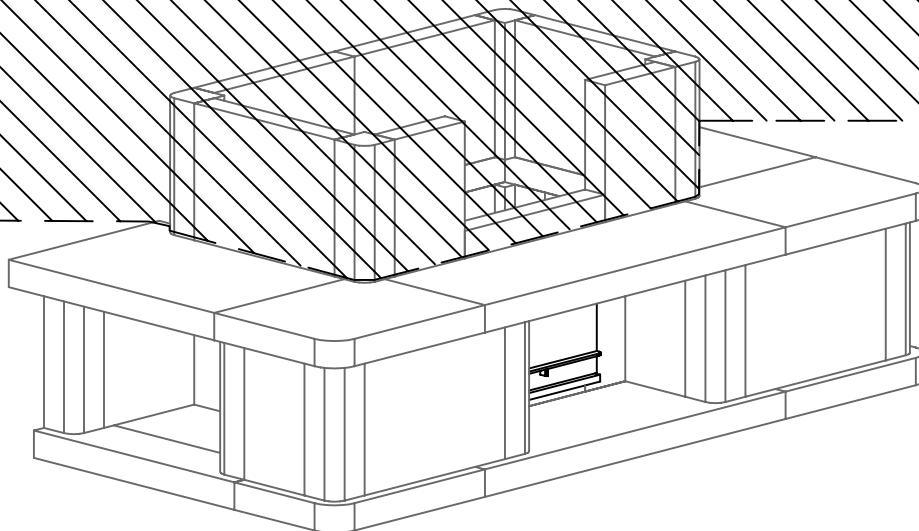
Weight: 1200 lbs



TULIKIVI, US
PO Box 7547
Charlottesville, VA 22906
(800) 843-3473

OPTION 2200BN105E

MODEL TU2200	DRAWN BY D.P.BYRAM	DATE 6/14/10
-----------------	-----------------------	-----------------



2200BN105EPDE
3 Sided Bench
w/Pedestal/E Profile

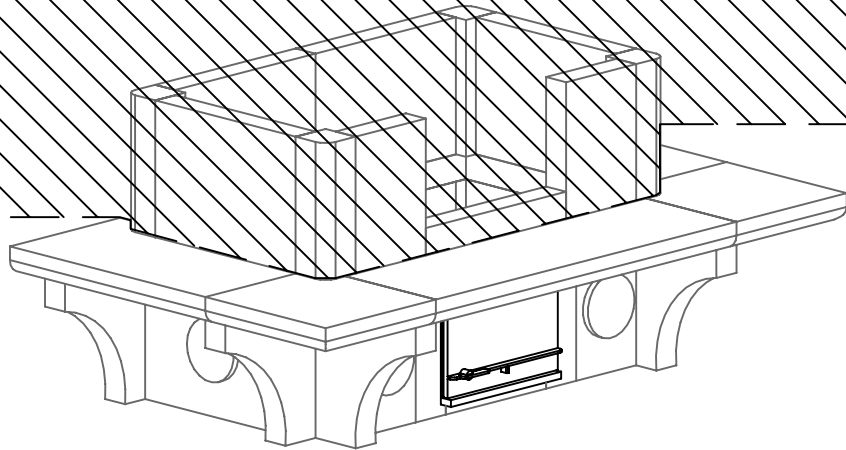
Weight: 1850 lbs



TULIKIVI, US
PO Box 7547
Charlottesville, VA 22906
(800) 843-3473

OPTION 2200BN105EPDE

MODEL TU2200	DRAWN BY D.P.BYRAM	DATE 6/14/10
-----------------	-----------------------	-----------------



Weight: 715 lbs

2200BN106C
3 Sided Bench/C Profile

TULIKIVI 

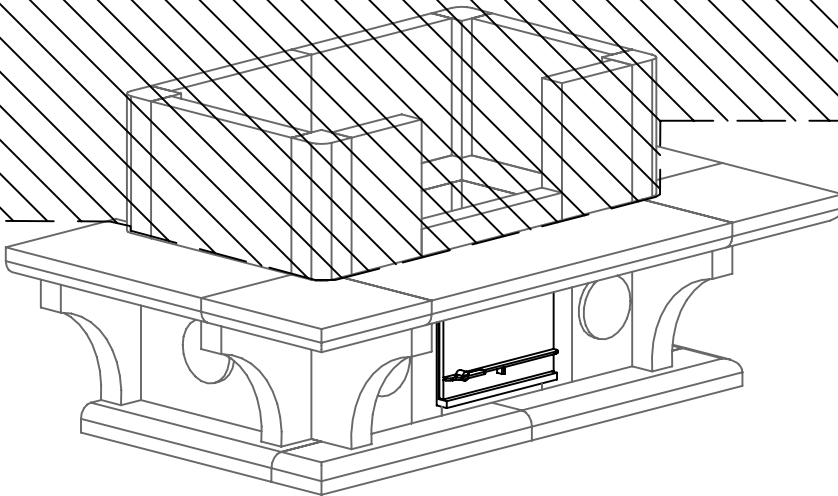
TULIKIVI, US
PO Box 7547
Charlottesville, VA 22906
(800) 843-3473

OPTION 2200BN106C

MODEL TU2200

DRAWN BY D.P.BYRAM

DATE 6/14/10



Weight: 1080 lbs

2200BN106CPDC
3 Sided Bench
w/Pedestal/C Profile

TULIKIVI 

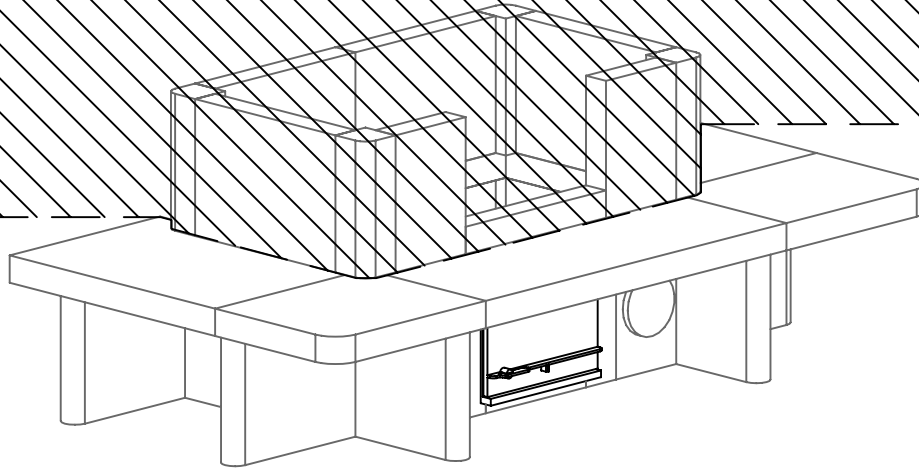
TULIKIVI, US
PO Box 7547
Charlottesville, VA 22906
(800) 843-3473

OPTION 2200BN106CPDC

MODEL TU2200

DRAWN BY D.P.BYRAM

DATE 6/14/10



Weight: 870 lbs

2200BN107E
3 Sided Bench/E Profile

TULIKIVI 

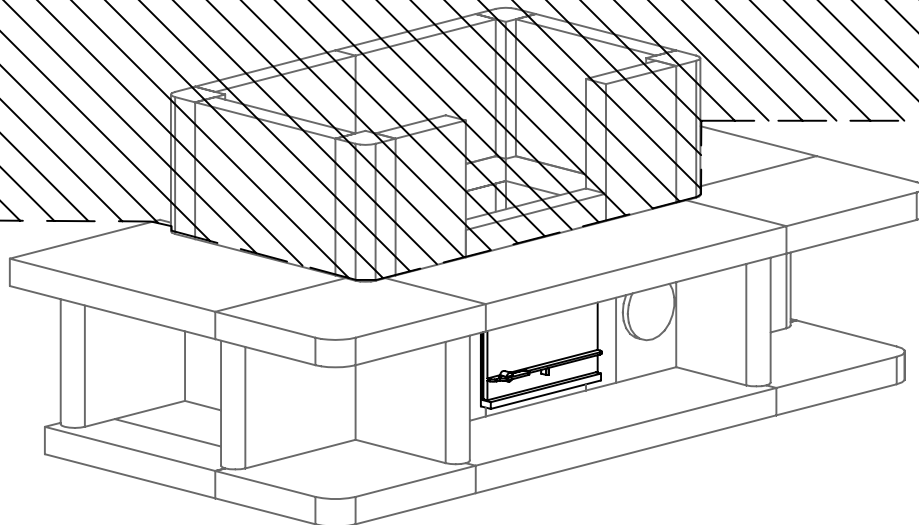
TULIKIVI, US
PO Box 7547
Charlottesville, VA 22906
(800) 843-3473

OPTION 2200BN107E

MODEL TU2200

DRAWN BY D.P.BYRAM

DATE 6/14/10



Weight: 1465 lbs

2200BN107EPDE
3 Sided Bench
w/Pedestal/E Profile

TULIKIVI 

TULIKIVI, US
PO Box 7547
Charlottesville, VA 22906
(800) 843-3473

OPTION 2200BN107EPDE

MODEL TU2200

DRAWN BY D.P.BYRAM

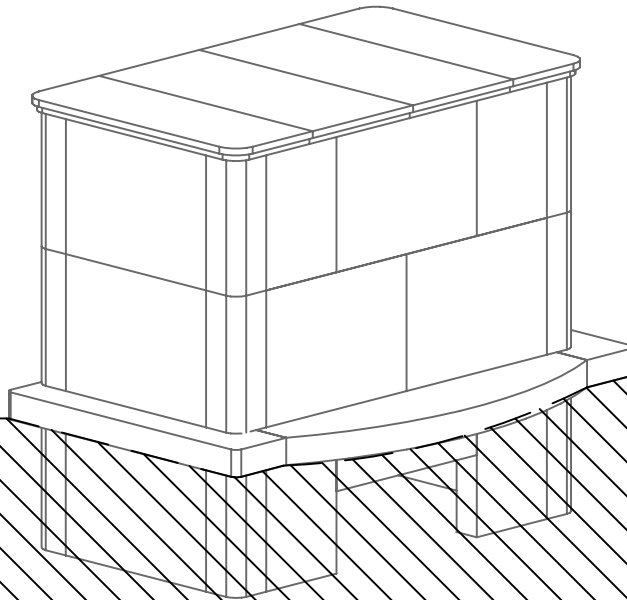
DATE 6/14/10



TULIKIVI, US
PO Box 7547
Charlottesville, VA 22906
(800) 843-3473

OPTION	2200MT101E				
MODEL	TU2200	DRAWN BY	D.P.BYRAM	DATE	6/14/10

2200MT101E
Mantel w/Curved Front/E Profile



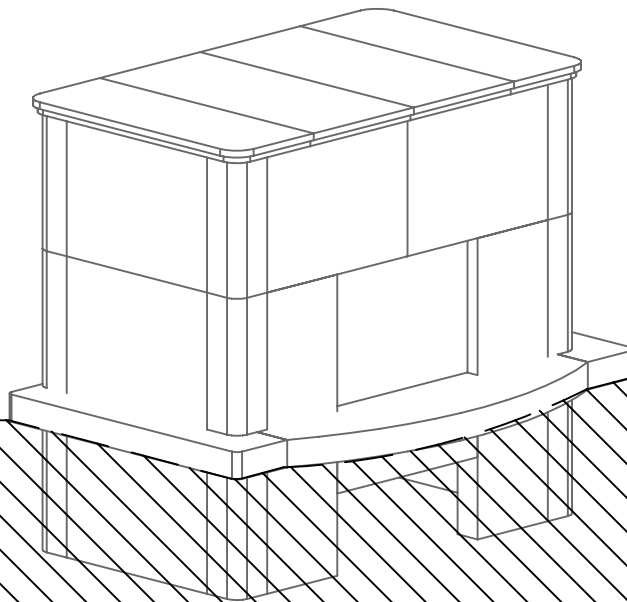
Weight: 275 lbs



TULIKIVI, US
PO Box 7547
Charlottesville, VA 22906
(800) 843-3473

OPTION	2200MT101E Nitch				
MODEL	TU2200	DRAWN BY	D.P.BYRAM	DATE	6/14/10

2200MT101E Nitch
Mantel w/Curved Front/E Profile
Nitch



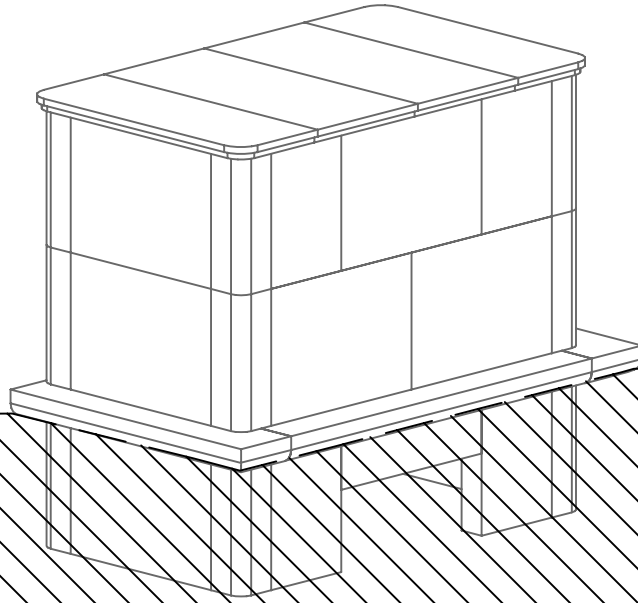
Weight: 245 lbs



TULIKIVI, US
 PO Box 7547
 Charlottesville, VA 22906
 (800) 843-3473

OPTION 2200MT102C		
MODEL TU2200	DRAWN BY D.P.BYRAM	DATE 6/14/10

2200MT102C: Mantel/C Profile



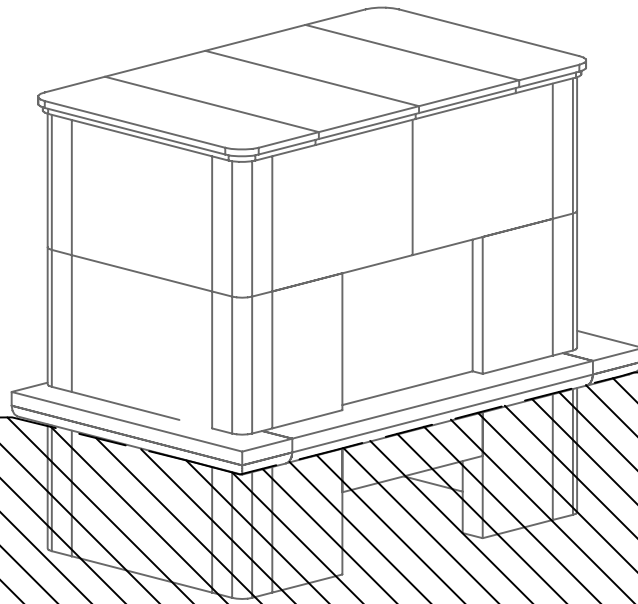
Weight: 245 lbs



TULIKIVI, US
 PO Box 7547
 Charlottesville, VA 22906
 (800) 843-3473

OPTION 2200MT102C Nitch		
MODEL TU2200	DRAWN BY D.P.BYRAM	DATE 6/14/10

2200MT102C: Mantel/C Profile
 Nitch



Weight: 245 lbs



TULIKIVI, US
PO Box 7547
Charlottesville, VA 22906
(800) 843-3473

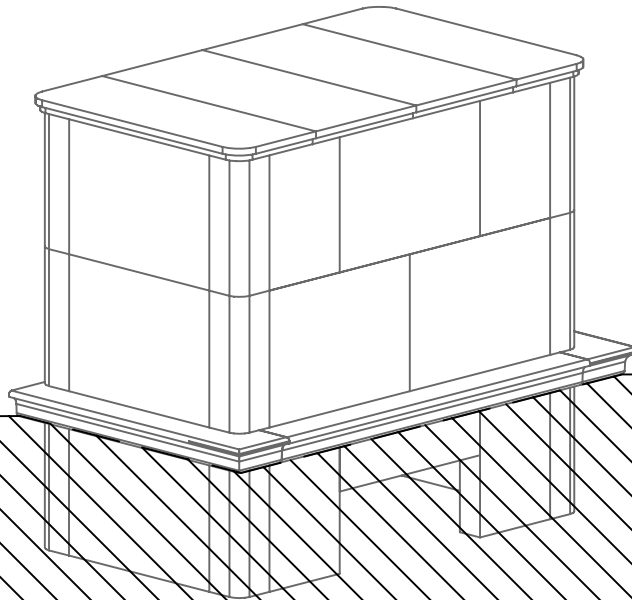
OPTION 2200MT103A

MODEL TU2200

DRAWN BY D.P.BYRAM

DATE 6/14/10

2200MT103A: Mantel/A Profile



Weight: 245 lbs



TULIKIVI, US
PO Box 7547
Charlottesville, VA 22906
(800) 843-3473

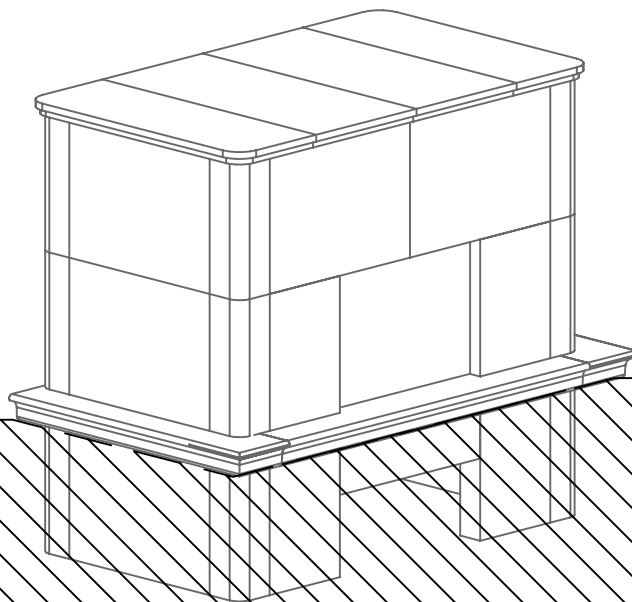
OPTION 2200MT103A Nitch

MODEL TU2200

DRAWN BY D.P.BYRAM

DATE 6/14/10

2200MT103A: Mantel/A Profile
Nitch



Weight: 245 lbs



TULIKIVI, US
PO Box 7547
Charlottesville, VA 22906
(800) 843-3473

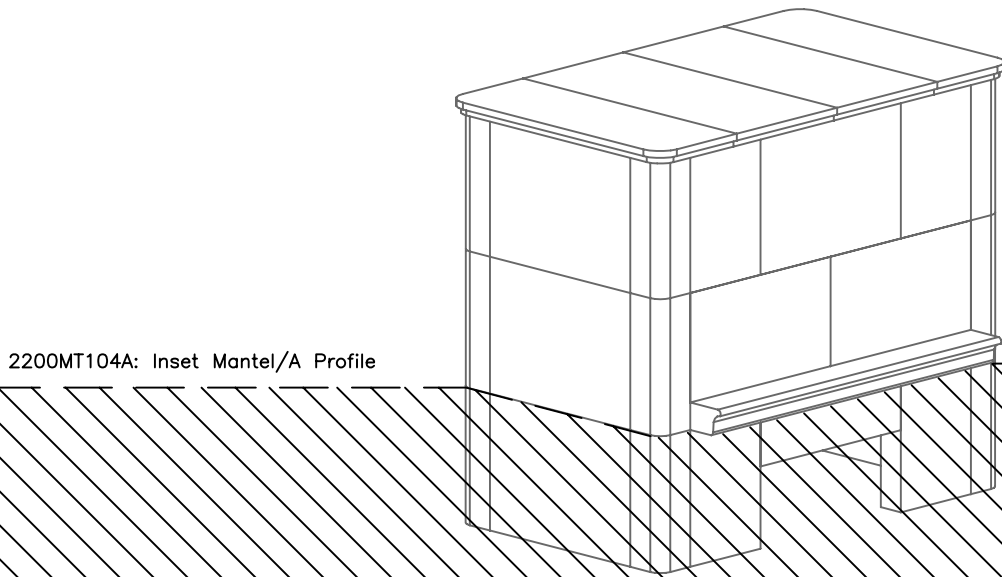
OPTION 2200MT104A

MODEL TU2200

DRAWN BY D.P.BYRAM

DATE 6/14/10

2200MT104A: Inset Mantel/A Profile



Weight: 50 lbs



TULIKIVI, US
PO Box 7547
Charlottesville, VA 22906
(800) 843-3473

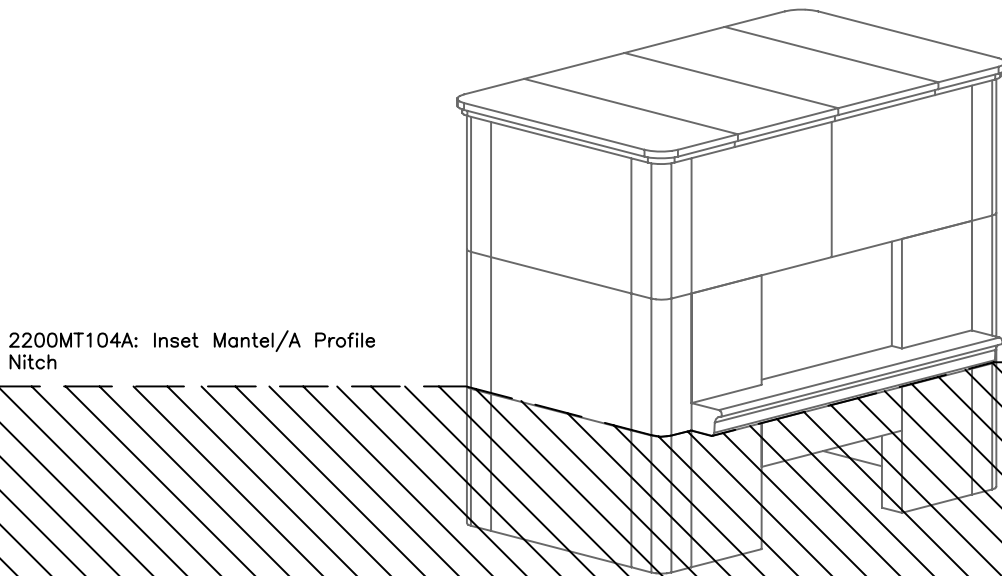
OPTION 2200MT104A Nitch

MODEL TU2200

DRAWN BY D.P.BYRAM

DATE 6/14/10

2200MT104A: Inset Mantel/A Profile
Nitch



Weight: 50 lbs



TULIKIVI, US
PO Box 7547
Charlottesville, VA 22906
(800) 843-3473

OPTION 2200MT105		
MODEL TU2200	DRAWN BY D.P.BYRAM	DATE 6/14/10

2200MT105: Inset Curved Mantel

Weight: 50 lbs



TULIKIVI, US
PO Box 7547
Charlottesville, VA 22906
(800) 843-3473

OPTION 2200MT105		
MODEL TU2200	DRAWN BY D.P.BYRAM	DATE 6/14/10

2200MT105: Inset Curved Mantel
Nitch

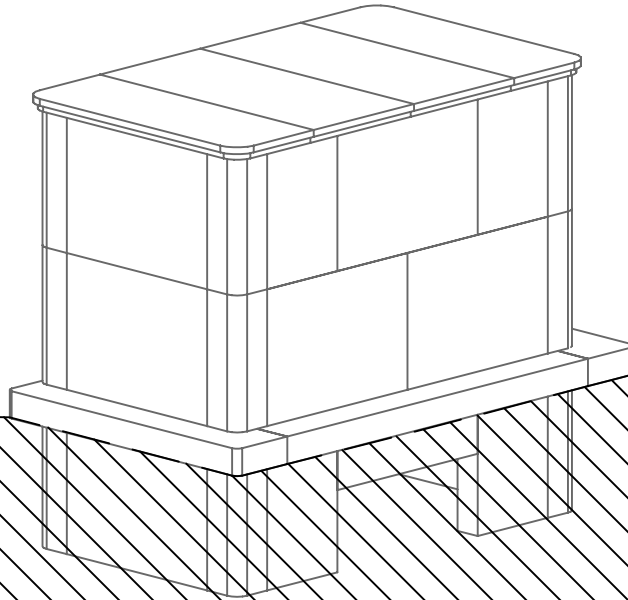
Weight: 50 lbs



TULIKIVI, US
PO Box 7547
Charlottesville, VA 22906
(800) 843-3473

OPTION	2200MT106E	
MODEL	TU2200	DRAWN BY
		D.P.BYRAM
		DATE
		6/14/10

2200MT106: Mantel/E Profile



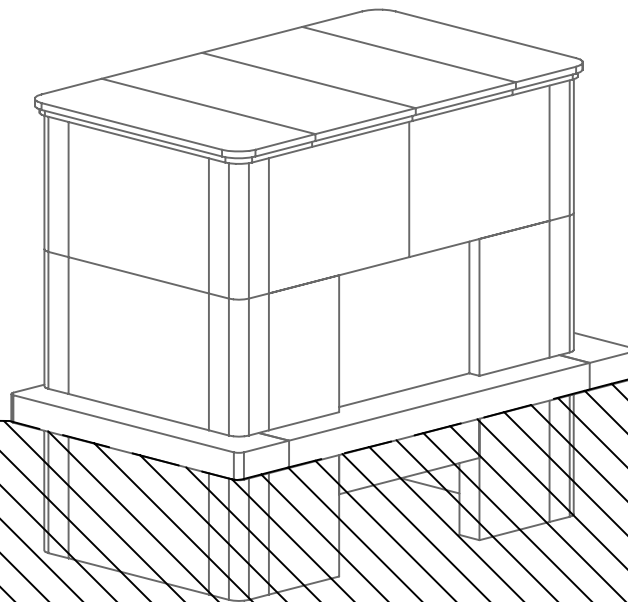
Weight: 245 lbs



TULIKIVI, US
PO Box 7547
Charlottesville, VA 22906
(800) 843-3473

OPTION	2200MT106E Nitch	
MODEL	TU2200	DRAWN BY
		D.P.BYRAM
		DATE
		6/14/10

2200MT106: Mantel/E Profile
Nitch



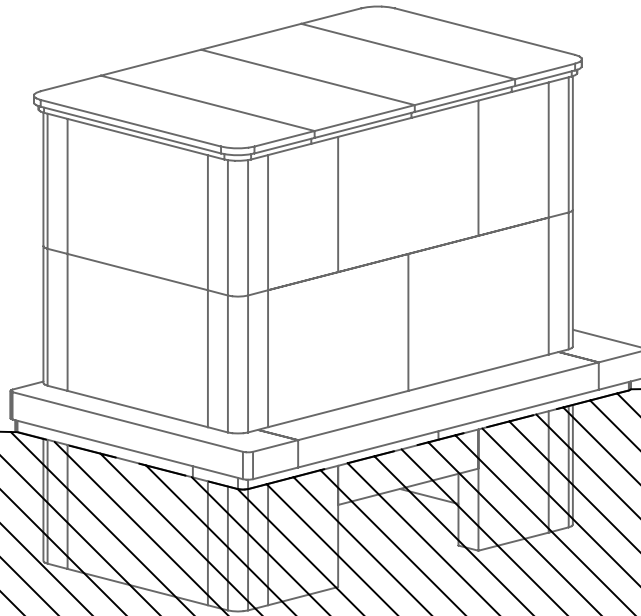
Weight: 245 lbs



TULIKIVI, US
PO Box 7547
Charlottesville, VA 22906
(800) 843-3473

OPTION	2200MT107 Layered	
MODEL	DRAWN BY	DATE
TU2200	D.P.BYRAM	6/14/10

2200MT107: Layered Mantel/E Profile



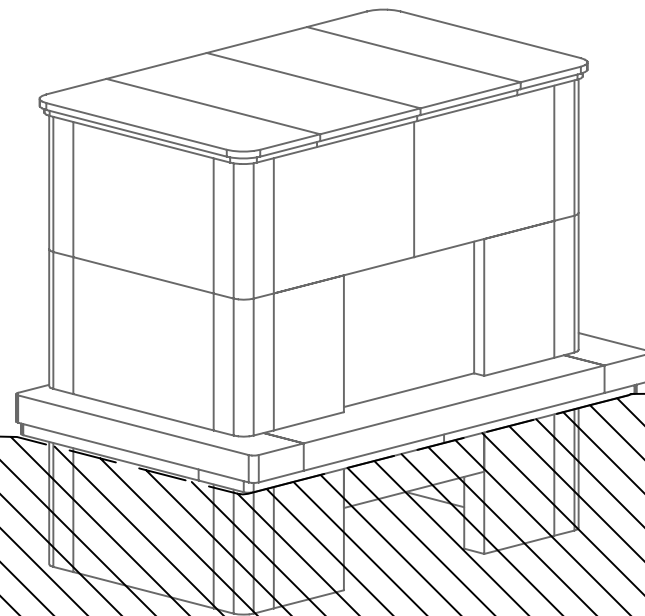
Weight: 330 lbs



TULIKIVI, US
PO Box 7547
Charlottesville, VA 22906
(800) 843-3473

OPTION	2200MT107 Layered Nitch	
MODEL	DRAWN BY	DATE
TU2200	D.P.BYRAM	6/14/10

2200MT107: Layered Mantel/E Profile
Nitch



Weight: 330 lbs



TULIKIVI, US
PO Box 7547
Charlottesville, VA 22906
(800) 843-3473

OPTION	2200EX101	
MODEL	DRAWN BY	DATE
TU2200	D.P.BYRAM	6/14/10

2200EX101: Extra Course above

Weight: 850 lbs



TULIKIVI, US
PO Box 7547
Charlottesville, VA 22906
(800) 843-3473

OPTION	2200EX102-UNDER MANTEL	
MODEL	DRAWN BY	DATE
TU2200	D.P.BYRAM	6/14/10

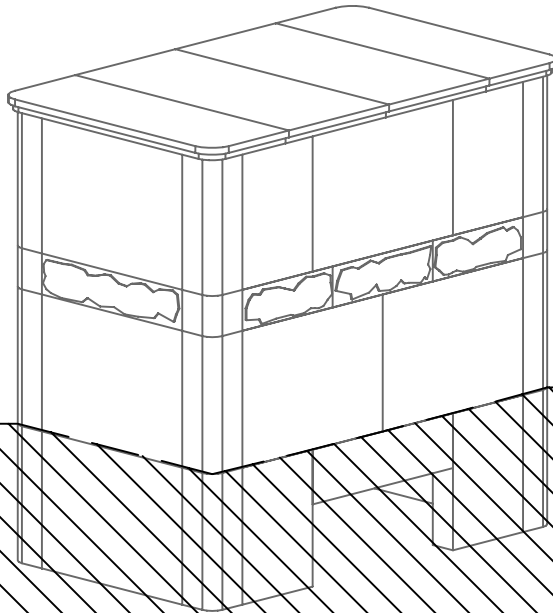
2200MT102: Extra Course Under Mantel

Weight: 850 lbs



TULIKIVI, US
PO Box 7547
Charlottesville, VA 22906
(800) 843-3473

OPTION	2200EX101R90	
MODEL	DRAWN BY	DATE
TU2200	D.P.BYRAM	6/14/10



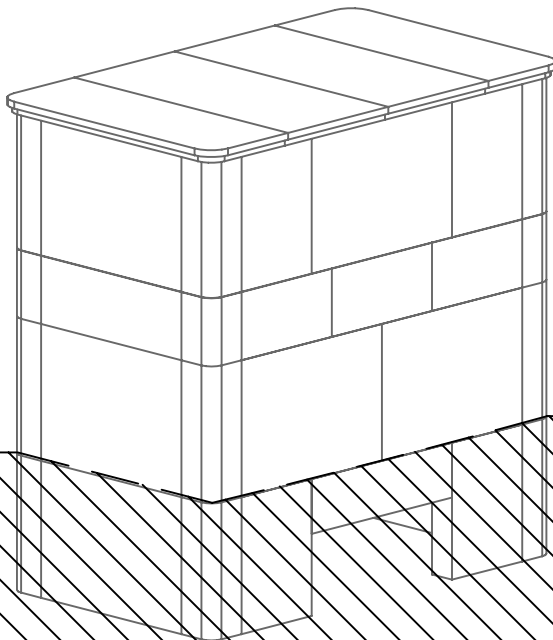
2200EX101R90: 90mm Roughface Band

Weight: 245 lbs



TULIKIVI, US
PO Box 7547
Charlottesville, VA 22906
(800) 843-3473

OPTION	2200EX103	
MODEL	DRAWN BY	DATE
TU2200	D.P.BYRAM	6/14/10



2200EX103: 150mm Plain Band

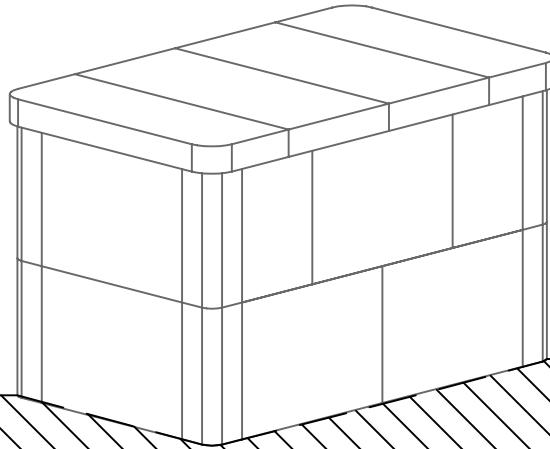
Weight: 320 lbs



TULIKIVI, US
PO Box 7547
Charlottesville, VA 22906
(800) 843-3473

OPTION	2200CR101E	
MODEL	DRAWN BY	DATE
TU2200	D.P.BYRAM	6/14/10

2200MT101E: Thick Topplate/E Profile



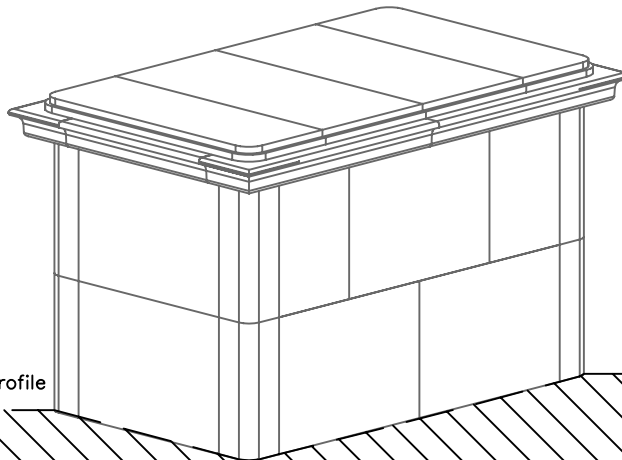
Weight: 275 lbs



TULIKIVI, US
PO Box 7547
Charlottesville, VA 22906
(800) 843-3473

OPTION	2200CR102A	
MODEL	DRAWN BY	DATE
TU2200	D.P.BYRAM	6/14/10

2200CR102A: Crown with Topplate/A Profile



Weight: 190 lbs

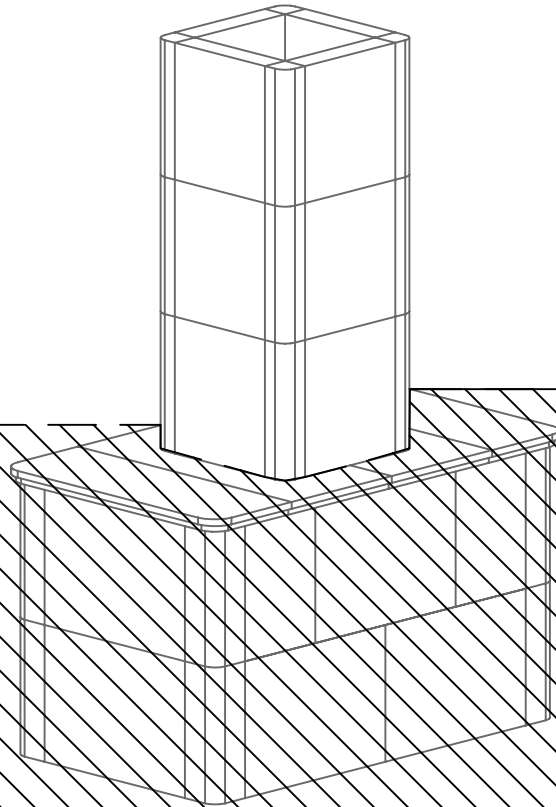


TULIKIVI, US
PO Box 7547
Charlottesville, VA 22906
(800) 843-3473

OPTION	2200TV1	
MODEL	DRAWN BY	DATE
TU2200	D.P.BYRAM	6/14/10

2200TV1: Soapstone Chimney Chase

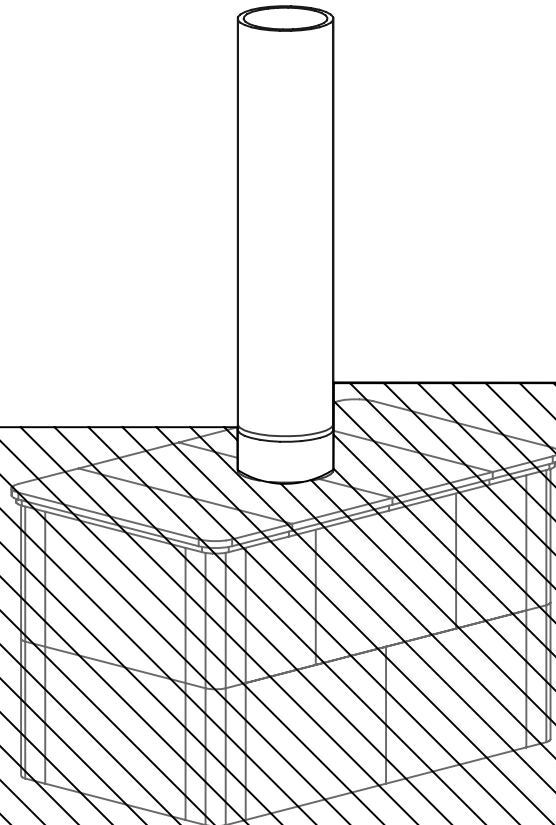
Weight: 150 lbs
per course



TULIKIVI, US
PO Box 7547
Charlottesville, VA 22906
(800) 843-3473

OPTION	2200TV2	
MODEL	DRAWN BY	DATE
TU2200	D.P.BYRAM	6/14/10

2200TV2: Double Wall Black Flue Pipe

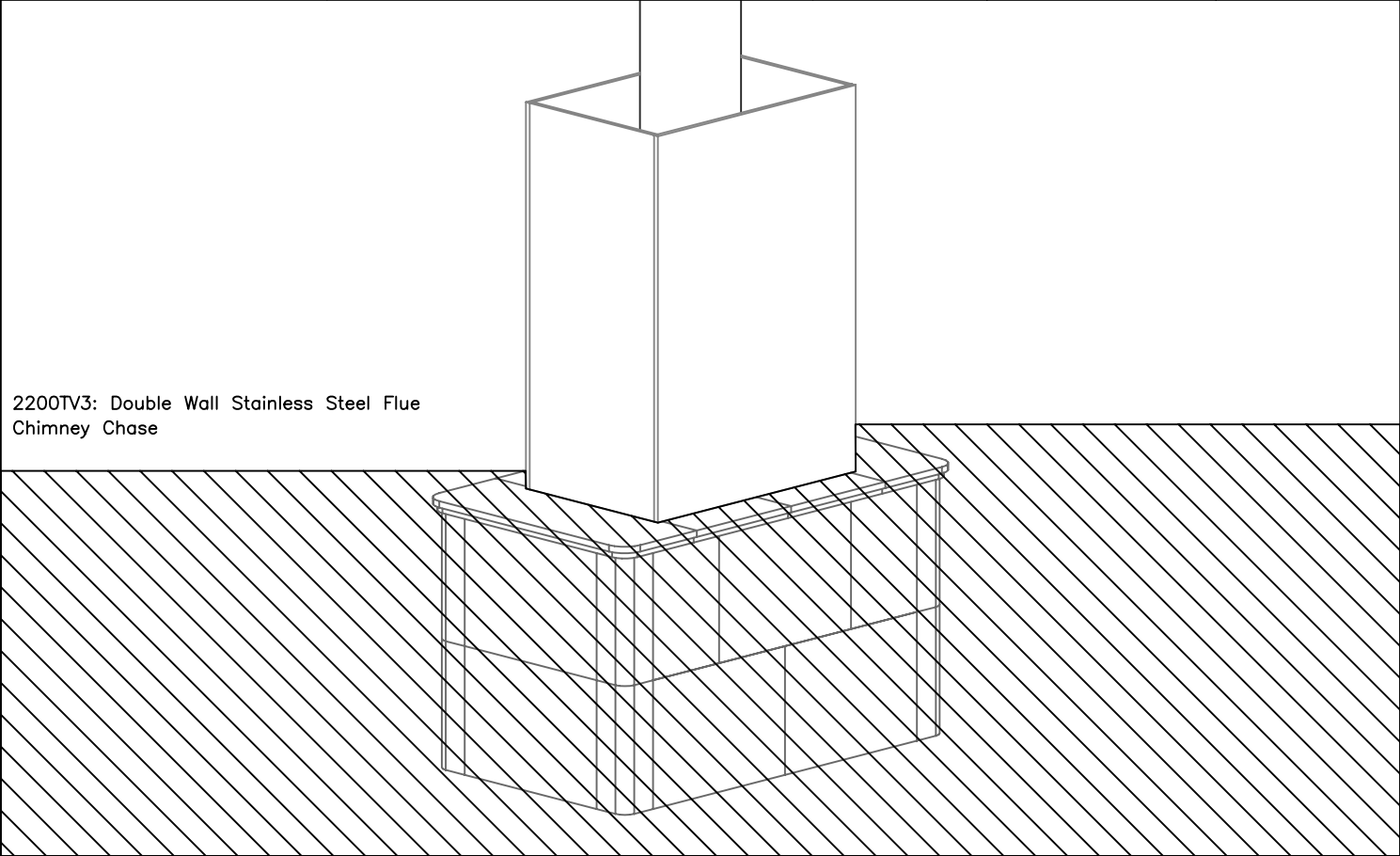




TULIKIVI, US
PO Box 7547
Charlottesville, VA 22906
(800) 843-3473

OPTION	2200TV3	
MODEL	TU2200	DRAWN BY
		D.P.BYRAM
		DATE
		6/14/10

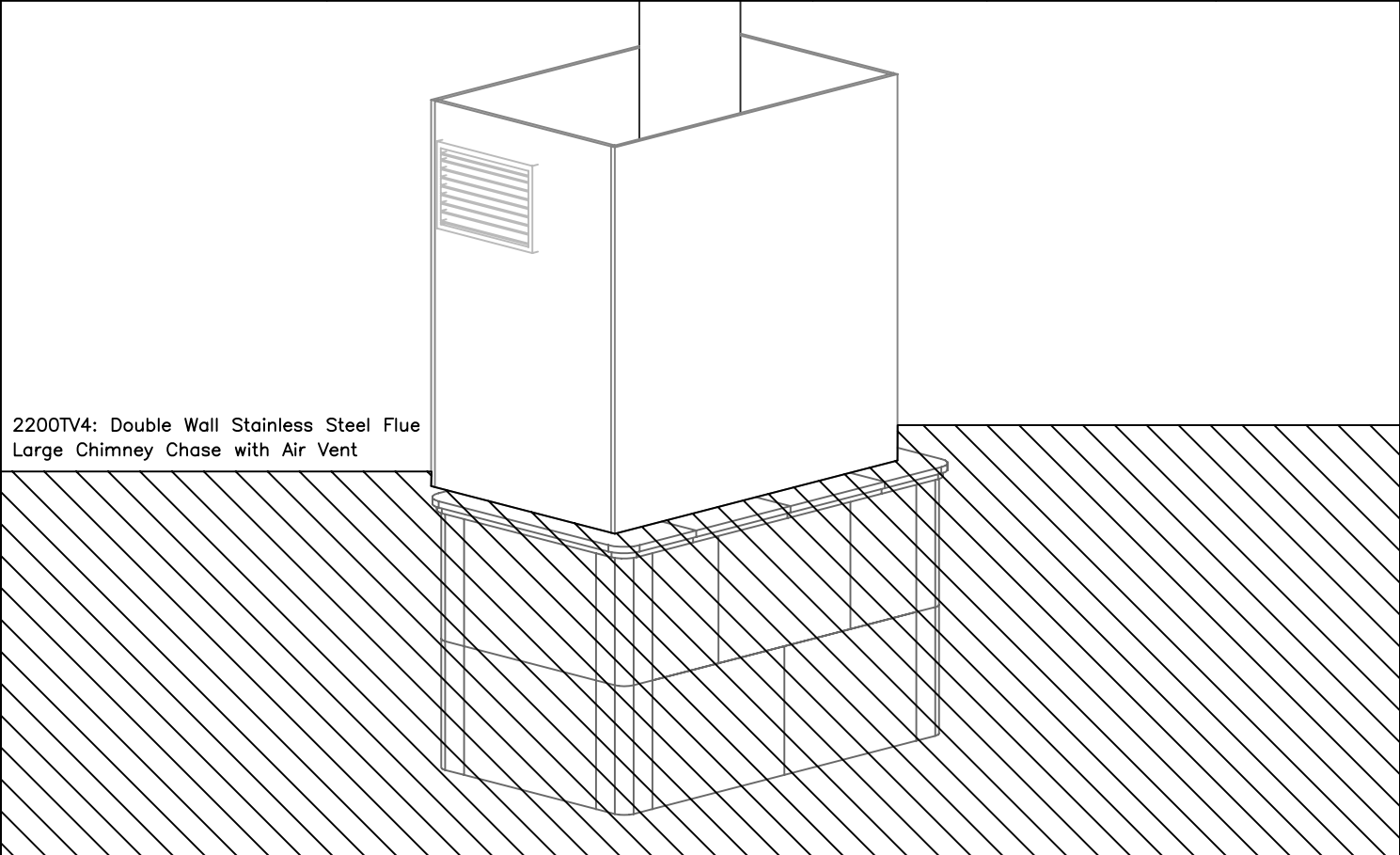
2200TV3: Double Wall Stainless Steel Flue Chimney Chase

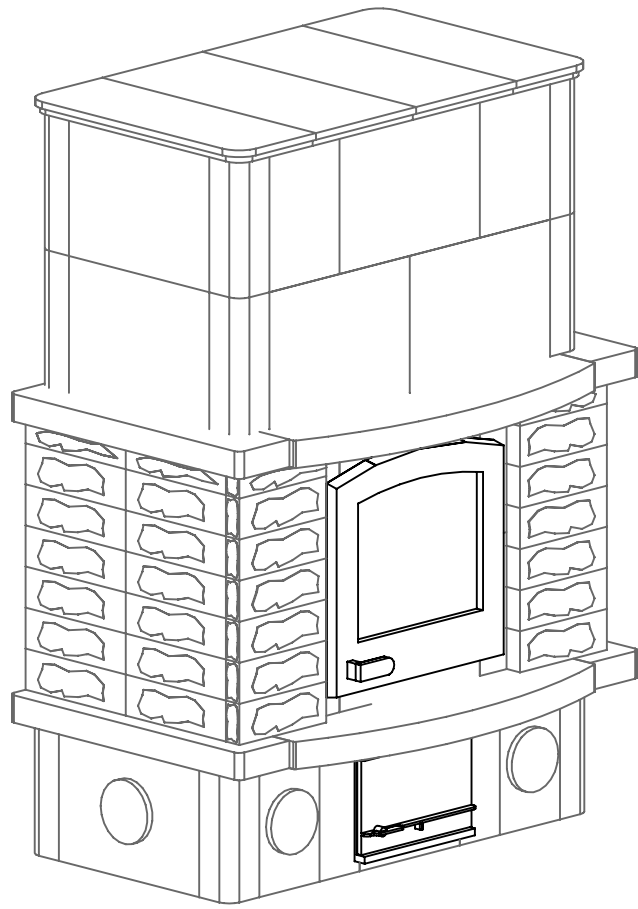


TULIKIVI, US
PO Box 7547
Charlottesville, VA 22906
(800) 843-3473

OPTION	2200TV4	
MODEL	TU2200	DRAWN BY
		D.P.BYRAM
		DATE
		6/14/10

2200TV4: Double Wall Stainless Steel Flue Large Chimney Chase with Air Vent





Weight: 4690 lbs



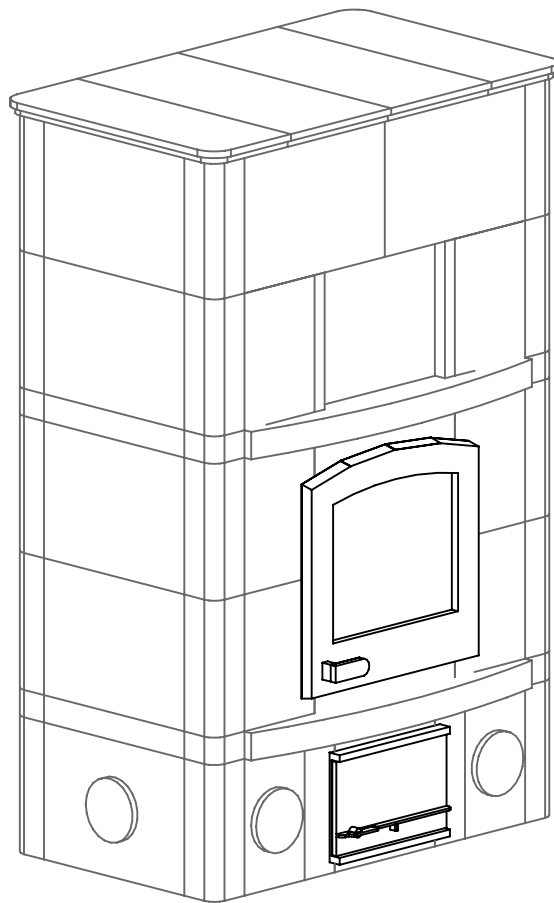
TULIKIVI, US
PO Box 7547
Charlottesville, VA 22906
(800) 843-3473

OPTION TU2200/1 DESIGN

MODEL TU2200

DRAWN BY D.P.BYRAM

DATE 6/14/10



Weight: 4160 lbs



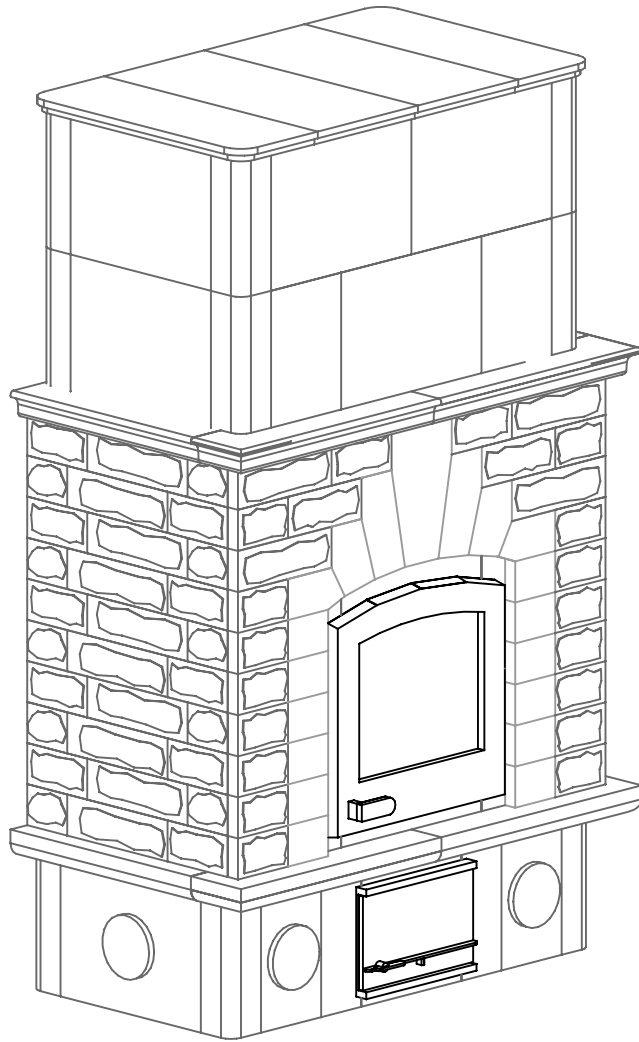
TULIKIVI, US
PO Box 7547
Charlottesville, VA 22906
(800) 843-3473

OPTION TU2200/5 DESIGN

MODEL TU2200

DRAWN BY D.P.BYRAM

DATE 6/14/10



Weight: 5325 lbs



TULIKIVI, US
PO Box 7547
Charlottesville, VA 22906
(800) 843-3473

OPTION TU2500L DESIGN

MODEL TU2200

DRAWN BY D.P.BYRAM

DATE 6/14/10