

Example Only - Not for Construction



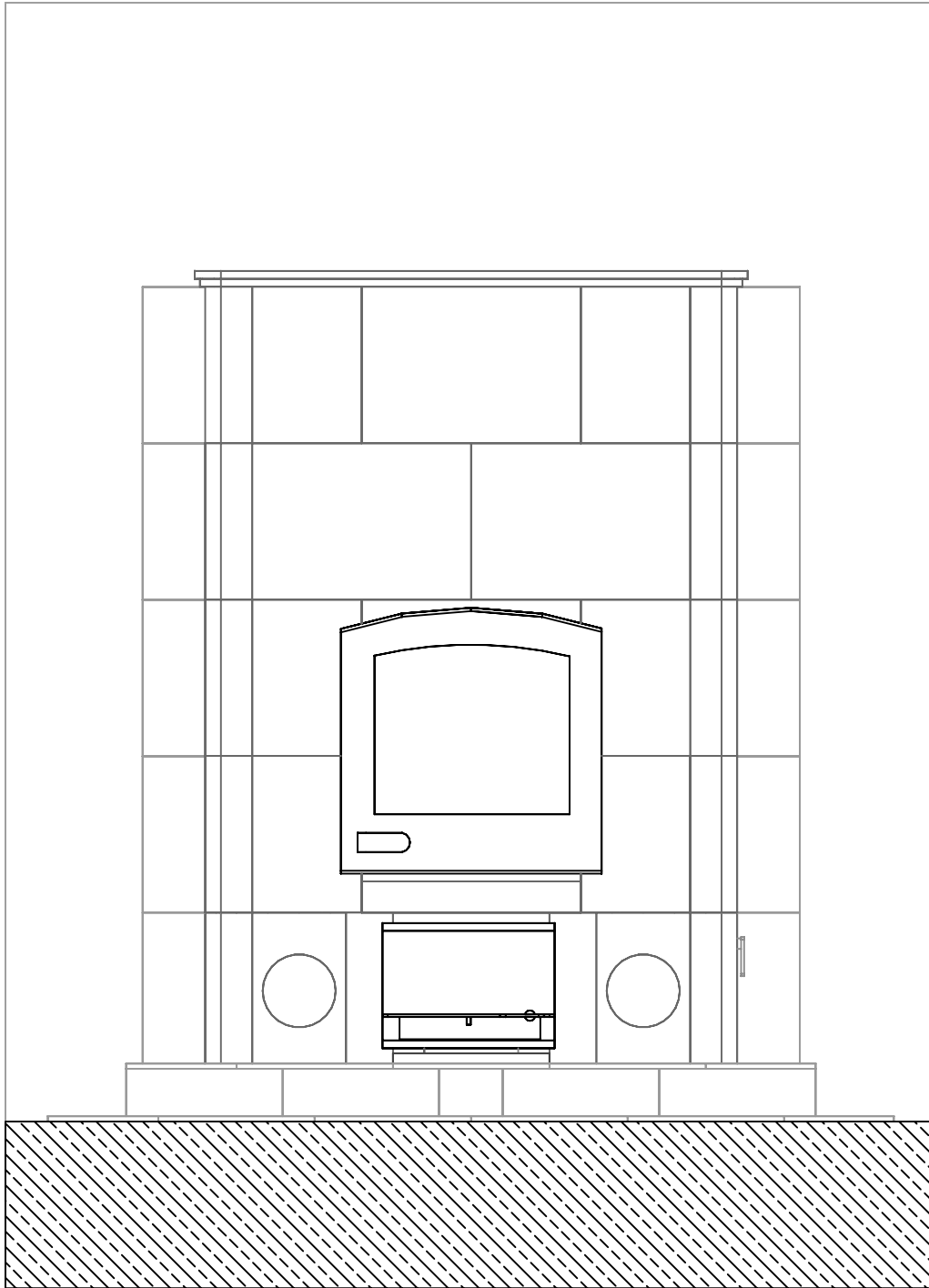
MID-ATLANTIC MASONRY HEAT
 170 Industrial Way
 Troy, VA 22974
 (434)979-9709 888-544-5442

PROJECT
 PRE-EXISTING FIREPLACE
 MODEL

DRAWN BY
 J.CHAMPION

VIEW
 PERSPECTIVE
 DATE
 2008.06.17

PAGE
 1



Example Only - Not for Construction



MID-ATLANTIC MASONRY HEAT
 170 Industrial Way
 Troy, VA 22974
 (434)979-9709 888-544-5442

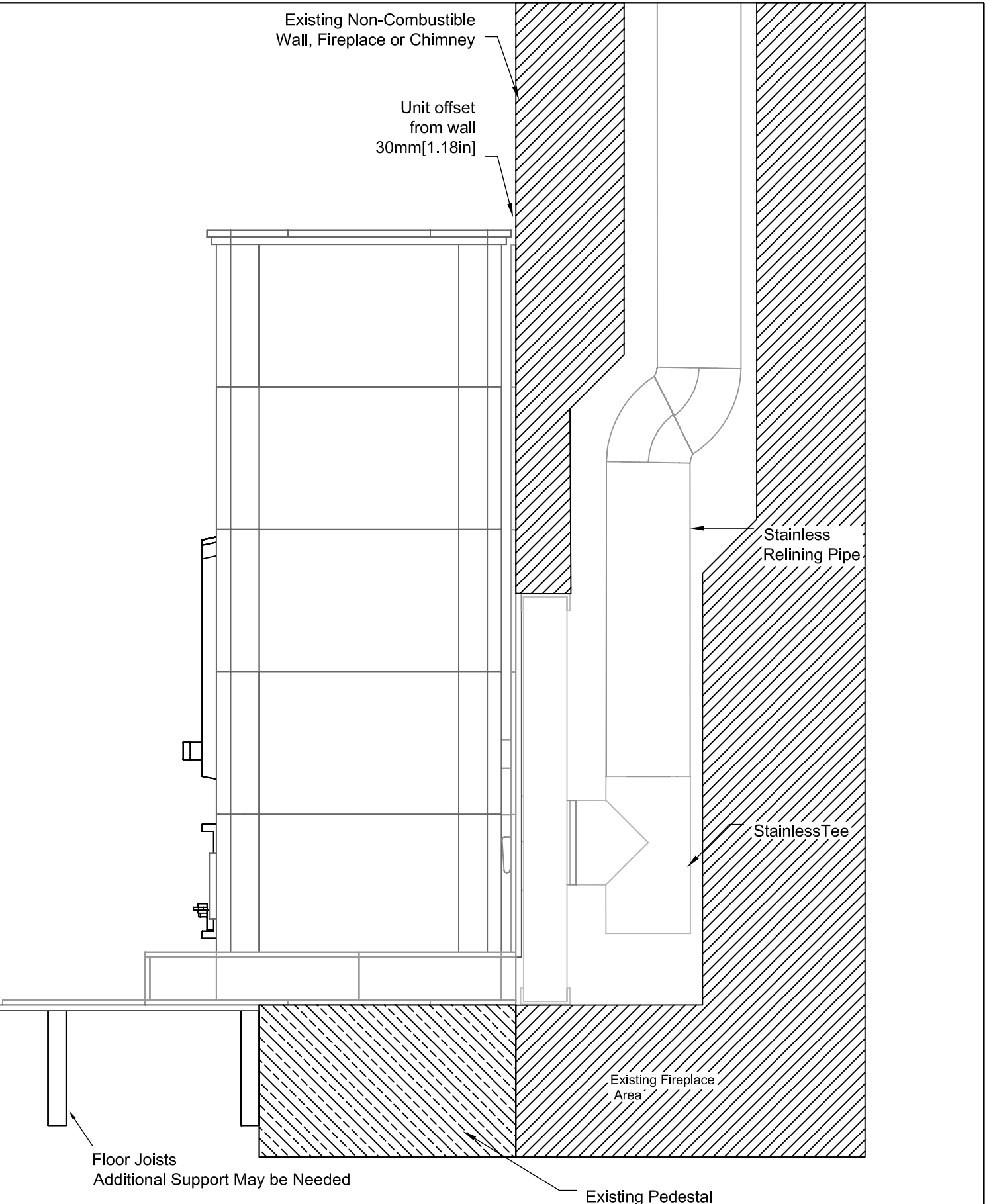
PROJECT
PRE-EXISTING FIREPLACE
 MODEL

DRAWN BY
J.CHAMPION

VIEW
FRONT
 DATE
 2008.06.17

PAGE

2



Example Only - Not for Construction

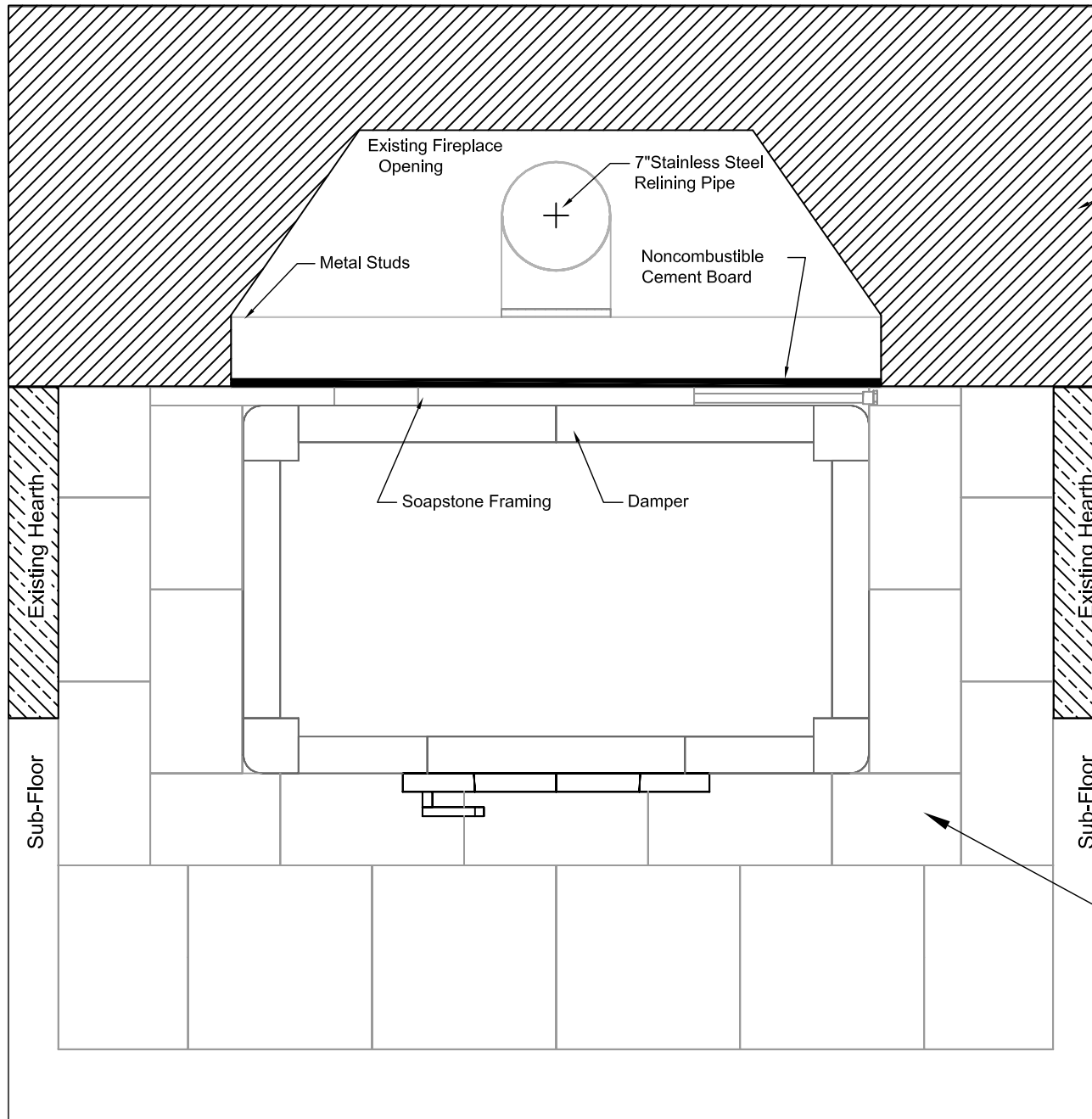


MID-ATLANTIC MASONRY HEAT
 170 Industrial Way
 Troy, VA 22974
 (434)979-9709 888-544-5442

PROJECT
PRE-EXISTING FIREPLACE
 MODEL DRAWN BY
J.CHAMPION

VIEW
SIDE
 DATE
 2008.06.17

PAGE
3



Existing Fireplace

Steel Plate Pedestal

Example Only - Not for Construction

PAGE

4

VIEW PERSPECTIVE

DATE

2008.06.17

PROJECT PRE-EXISTING FIREPLACE MODEL

DRAWN BY

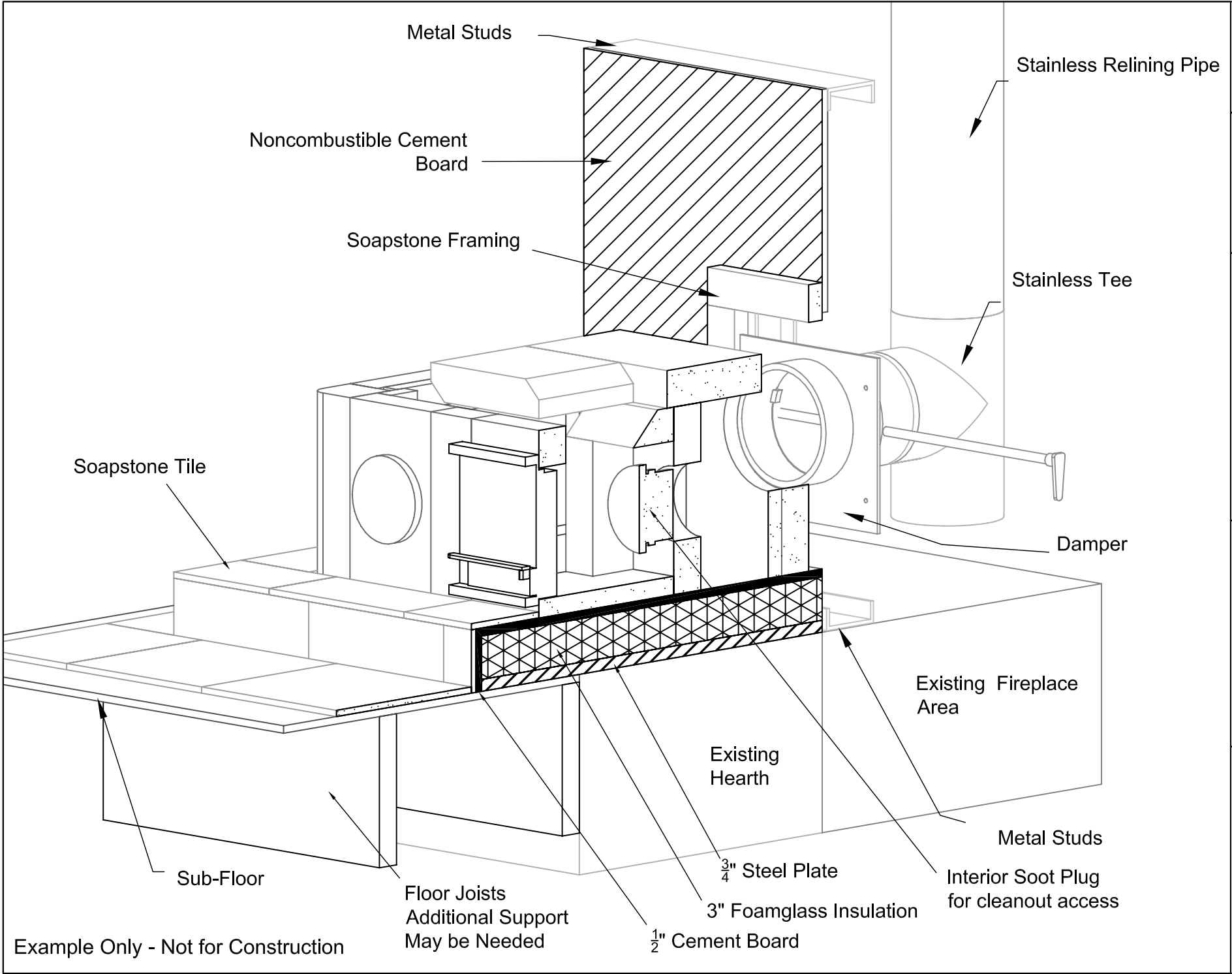
J.CHAMPION

MID-ATLANTIC MASONRY HEAT

170 Industrial Way
Troy, VA 22974

(434)979-9709 888-544-5442





Example Only - Not for Construction

Floor Joists
Additional Support
May be Needed

1/2" Cement Board

3/4" Steel Plate

3" Foamglass Insulation

Interior Soot Plug
for cleanout access

Metal Studs

Existing Fireplace
Area

Damper

Stainless Tee

Stainless Relining Pipe

PROJECT PRE-EXISTING FIREPLACE MODEL	VIEW	SECTION	PAGE 5
	DRAWN BY J.CHAMPION	DATE 2008.06.17	
MID-ATLANTIC MASONRY HEAT 170 Industrial Way Troy, VA 22974 (434)979-9709 888-544-5442			
 TULIKIVI			