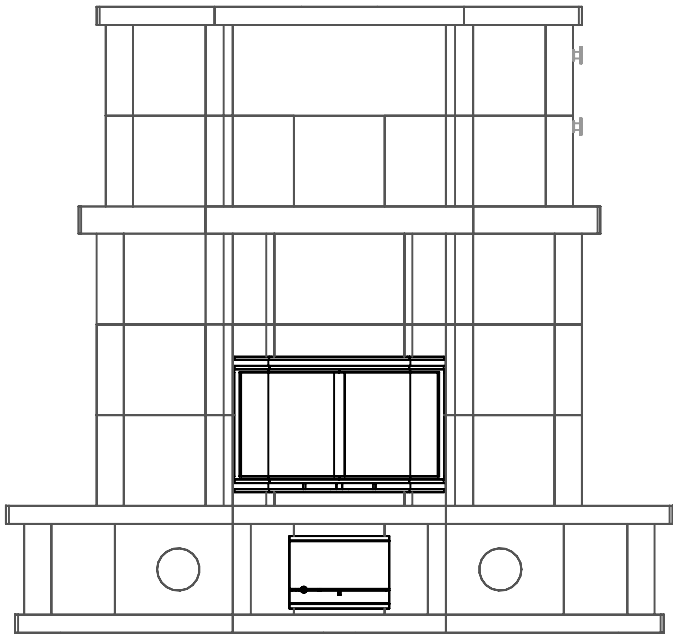
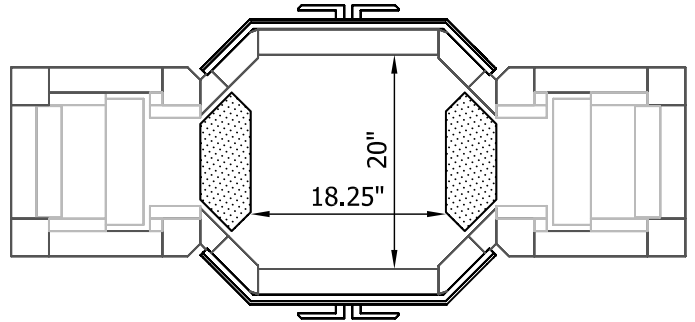


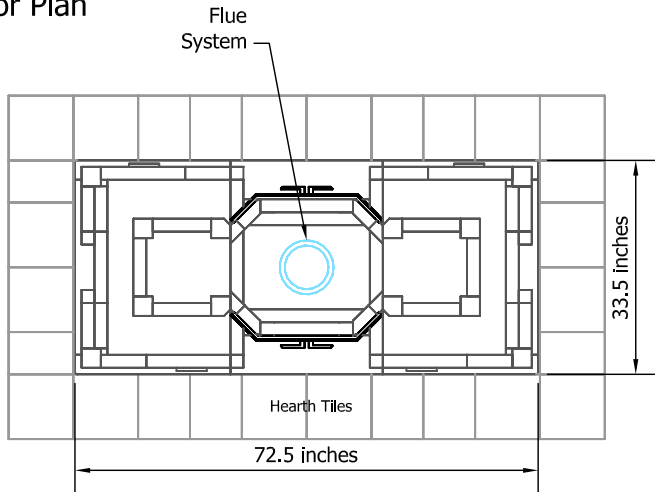
# Highlands-DDHB Tulikivi Fireplace



Fireplace Dimensions: 18.25in x20in

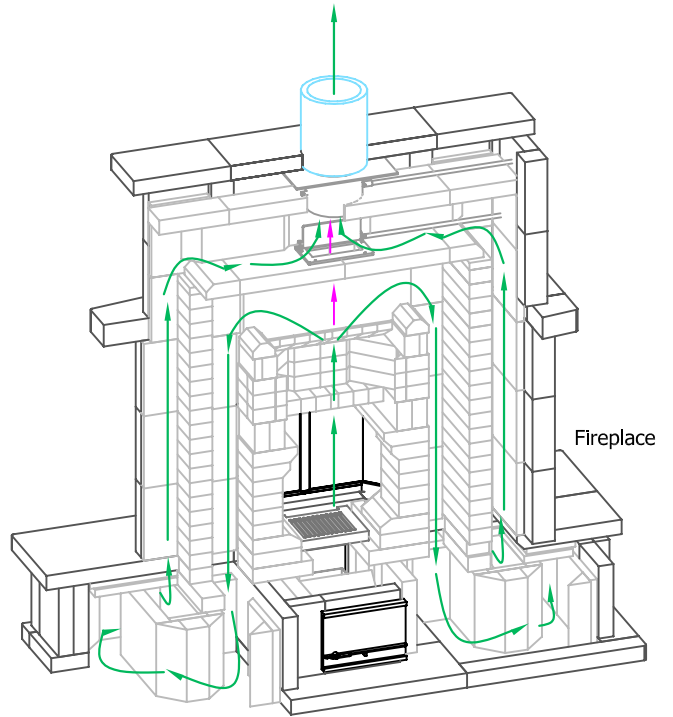


## Floor Plan



Flue System

## Flue Channels



**Model:** Highlands-DDHB  
**Door Type:** Panaroma Door  
**Firebox Type:** Flat Grate Soapstone  
**Dimensions:** 72.5"x33.5"x81.4"  
**Weight:** 10,000 lbs  
**Flue Location:** Top Vent  
**Flue Size:** 8 in round

Fireplace Flue Path

Bypass Damper



MID-ATLANTIC MASONRY HEAT  
Tulikivi Distributor  
Specification Sheet

PROJECT  
Standard Model

MODEL  
Highlands-DDHB

DRAWN BY  
D.P.BYRAM

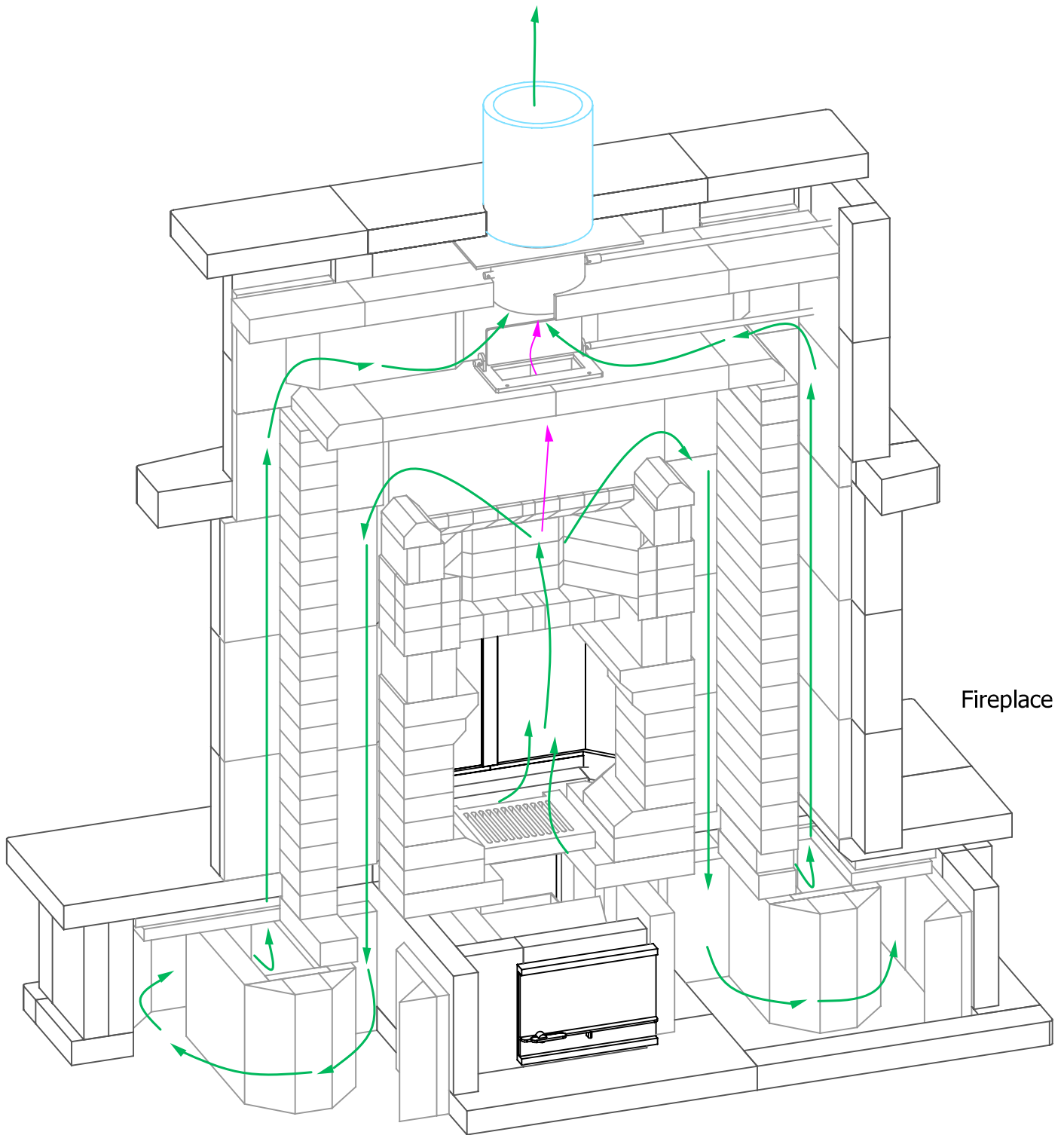
VIEW  
Perspective

DATE  
11/15/08

PAGE

1

# Highlands-DDHB Tulikivi Fireplace Flue Channels



Fireplace

— Fireplace Flue Path  
— Bypass Damper



MID-ATLANTIC MASONRY HEAT  
Tulikivi Distributor  
Specification Sheet

PROJECT  
Standard Model

MODEL  
Highlands-DDHB

DRAWN BY  
D.P.BYRAM

VIEW  
Perspective

DATE  
11/15/08

PAGE

2

# HIGHLANDS - CUSTOM DESIGN FIREPLACE

