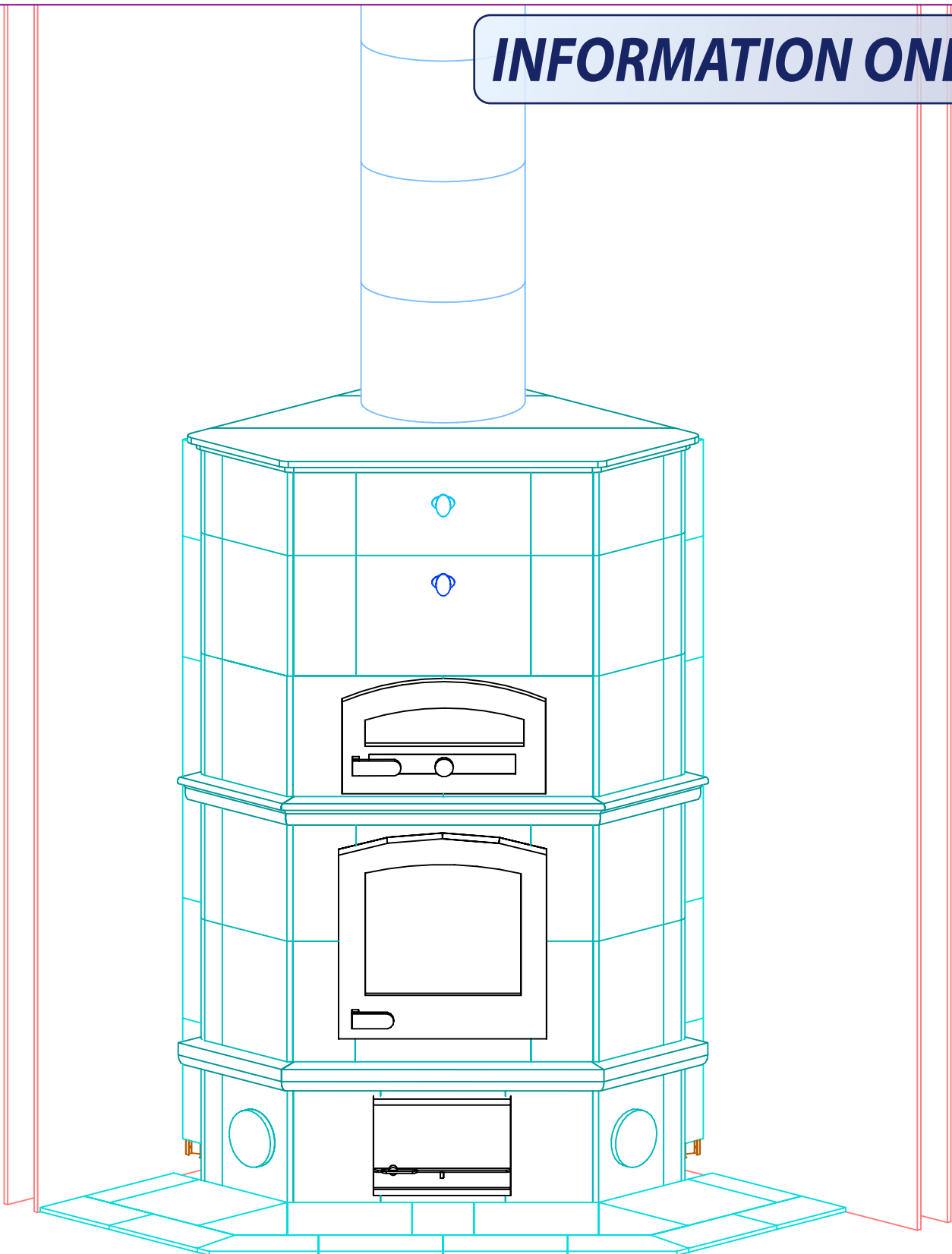


INFORMATION ONLY



NOTE: Hearth Tiles CUT AND INSTALLED by others



MID-ATLANTIC MASONRY HEAT
 1229 Harris Street Suite 1
 Charlottesville, VA 22903
 (434)979-9709 Fax 434-979-6416

PROJECT DENTON
 MODEL KTLU2050/1

CONTRACT 5683
 DRAWN BY D.P.BYRAM

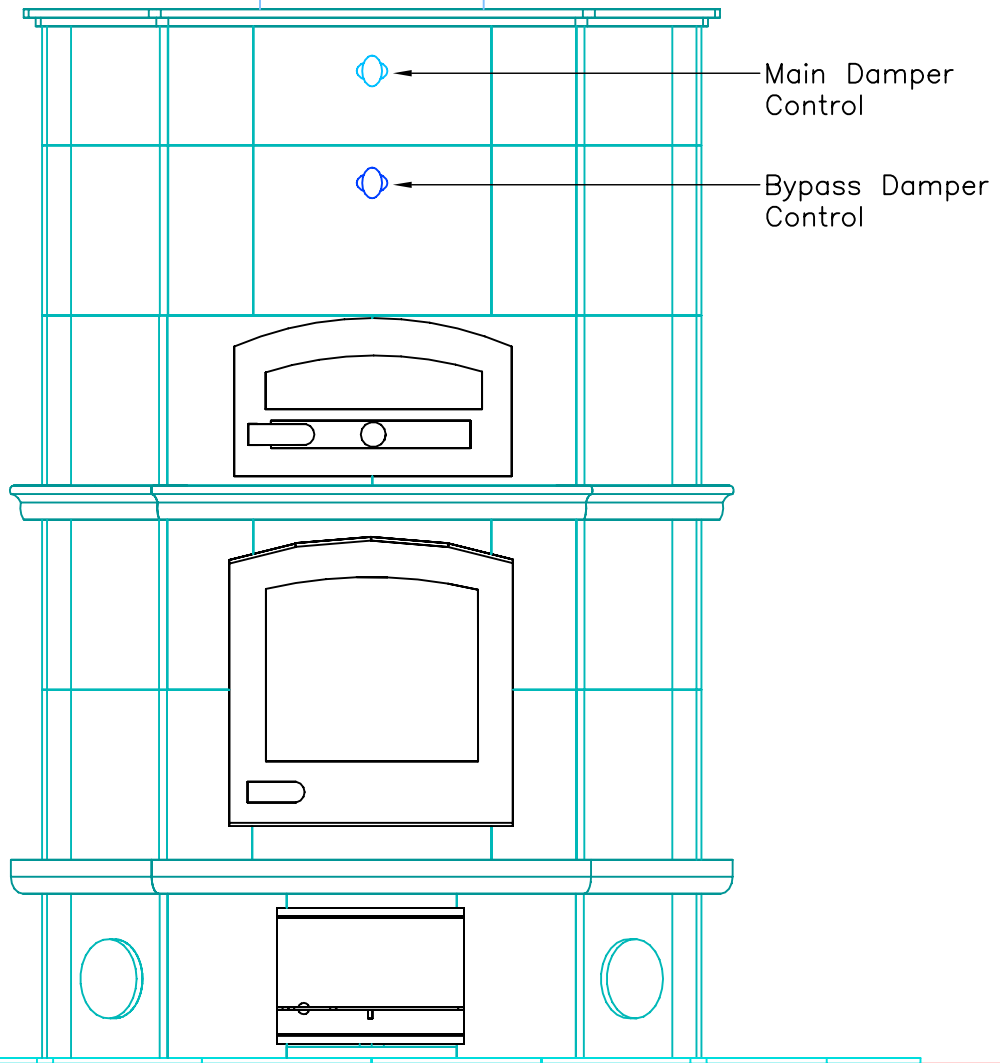
VIEW PERSPECTIVE
 DATE 10/20/04

PAGE 1

FRONT VIEW

INFORMATION ONLY

1860mm [73.2in]



NOTE: Hearth Tiles CUT AND INSTALLED by others



MID-ATLANTIC MASONRY HEAT
1229 Harris Street Suite 1
Charlottesville, VA 22903
(434)979-9709 Fax 434-979-6416

PROJECT DENTON
MODEL KTLU2050/1

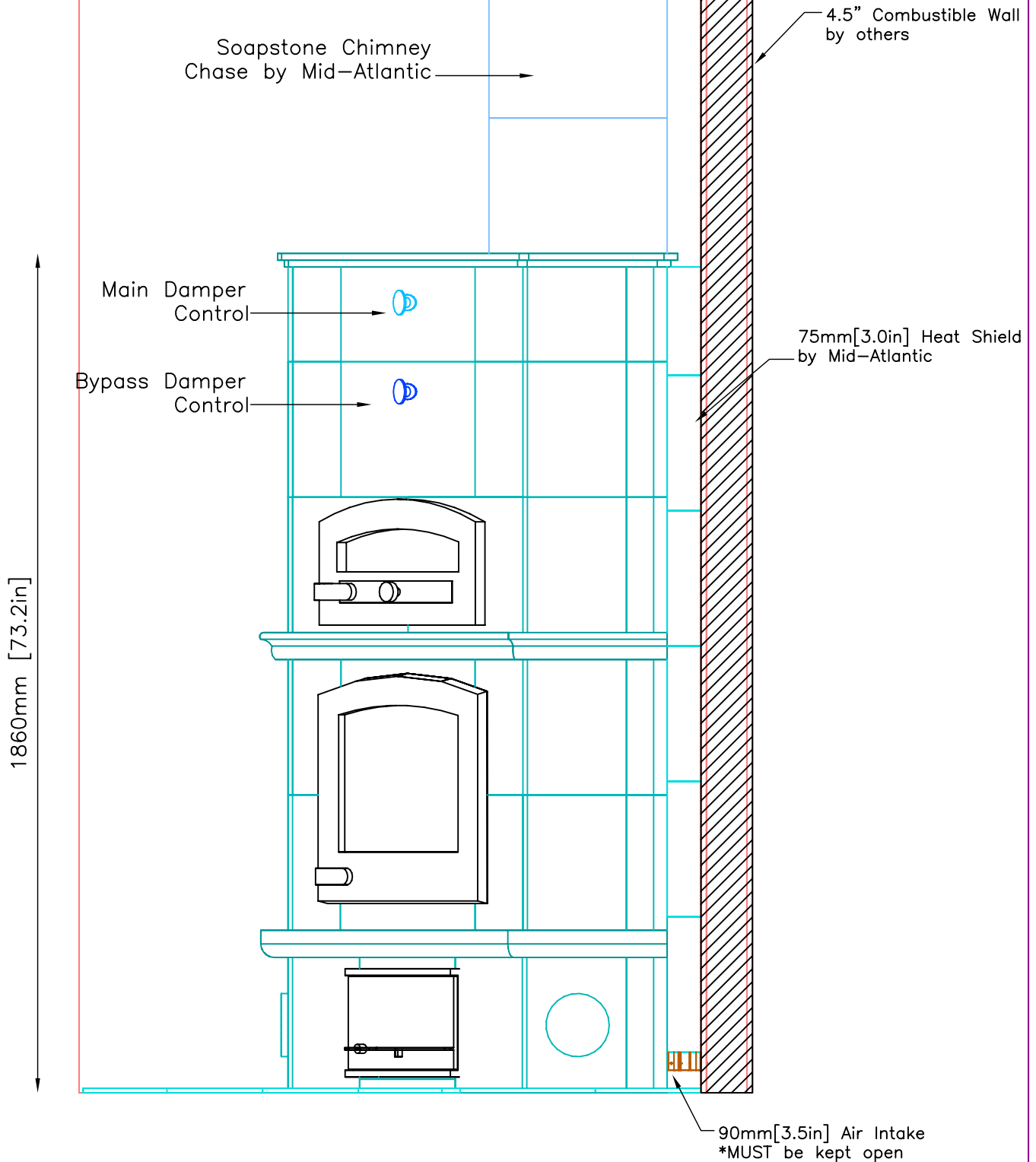
CONTRACT 5683
DRAWN BY D.P.BYRAM

VIEW FRONT
DATE 10/20/04

PAGE 2

SIDE VIEW

INFORMATION ONLY



NOTE: Hearth Tiles CUT AND INSTALLED by others



MID-ATLANTIC MASONRY HEAT
 1229 Harris Street Suite 1
 Charlottesville, VA 22903
 (434)979-9709 Fax 434-979-6416

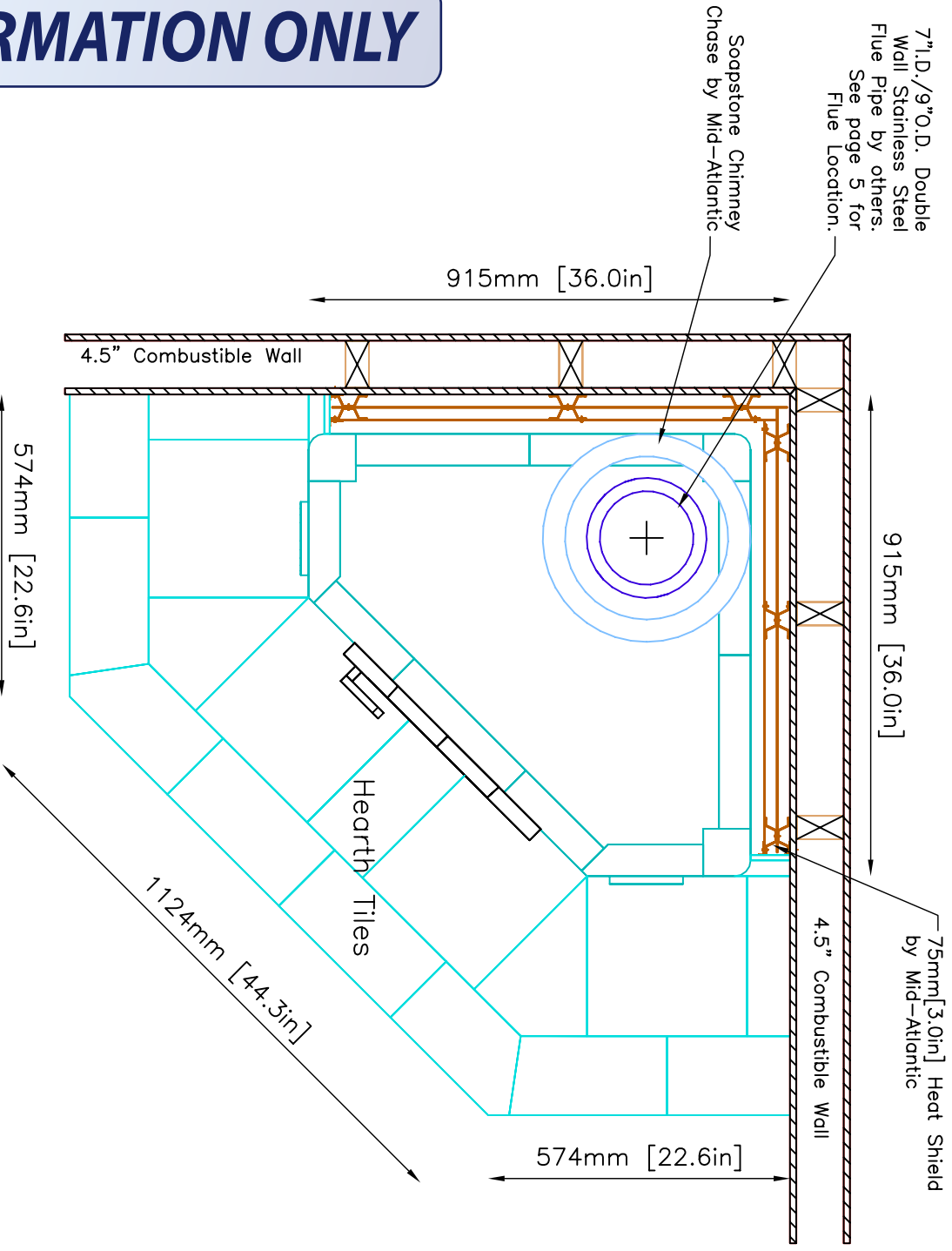
PROJECT DENTON
 MODEL KTLU2050/1

CONTRACT 5683
 DRAWN BY D.P.BYRAM

VIEW SIDE
 DATE 10/20/04

PAGE 3

INFORMATION ONLY



NOTE: Hearth Tiles CUT AND INSTALLED by others

7" I.D./9" O.D. Double Wall Stainless Steel Flue Pipe by others.
 Mid-Atlantic will provide and install flue pipe in Soapstone Chimney Chase only.