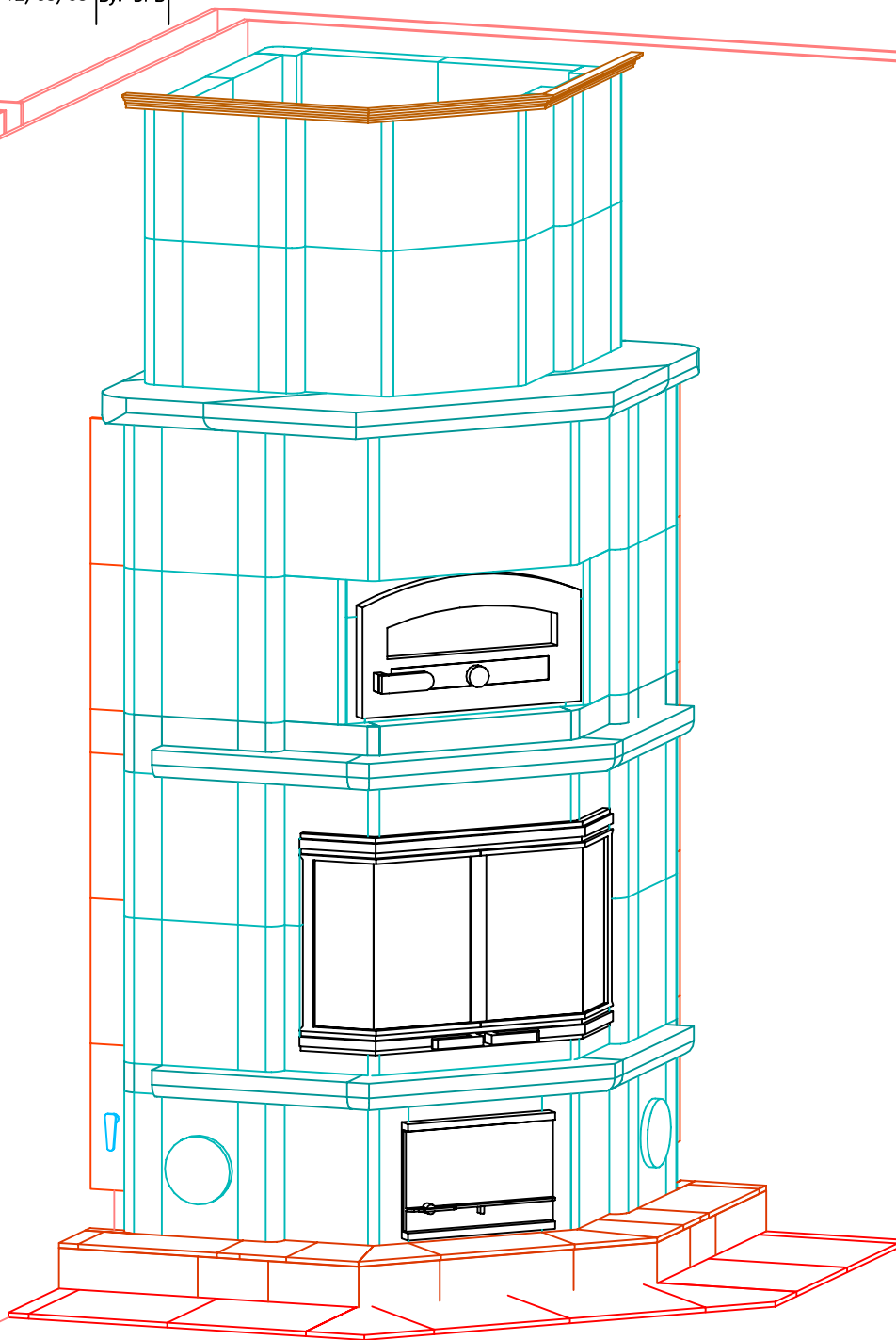


Revision: 1 Date: 12/02/03 By: DPB

Revision: 2 Date: 12/03/03 By: DPB



# INFORMATION ONLY

NOTE: Hearth Tiles CUT AND INSTALLED by others



MID-ATLANTIC MASONRY HEAT  
1229 Harris Street Suite 1  
Charlottesville, VA 22903  
(434)979-9709 Fax 434-979-6416

PROJECT JOHNSON  
MODEL KTLU2030

CONTRACT 5485  
DRAWN BY D.P.BYRAM

VIEW PERSPECTIVE  
DATE 10/8/03

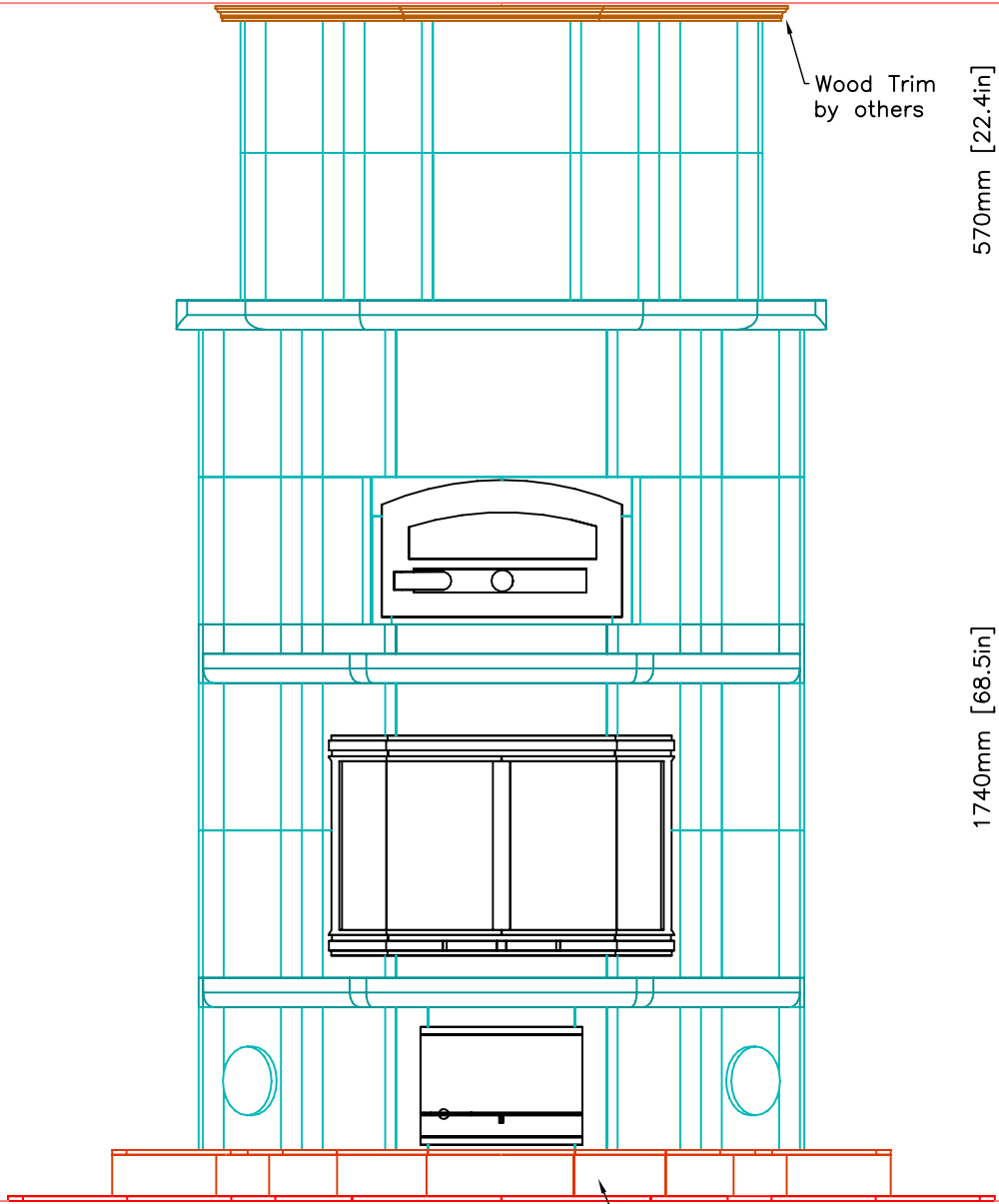
PAGE 1

Revision: 1 Date: 12/02/03 By: DPB

Revision: 2 Date: 12/03/03 By: DPB

# INFORMATION ONLY

FRONT VIEW



3/4" Heat Shield Pedestal  
Covered with Soapstone Tile.  
Tiles installed by others.

NOTE: Hearth Tiles CUT AND INSTALLED by others



MID-ATLANTIC MASONRY HEAT  
1229 Harris Street Suite 1  
Charlottesville, VA 22903  
(434)979-9709 Fax 434-979-6416

PROJECT JOHNSON  
MODEL KTLU2030

CONTRACT 5485  
DRAWN BY D.P.BYRAM

VIEW FRONT  
DATE 10/8/03

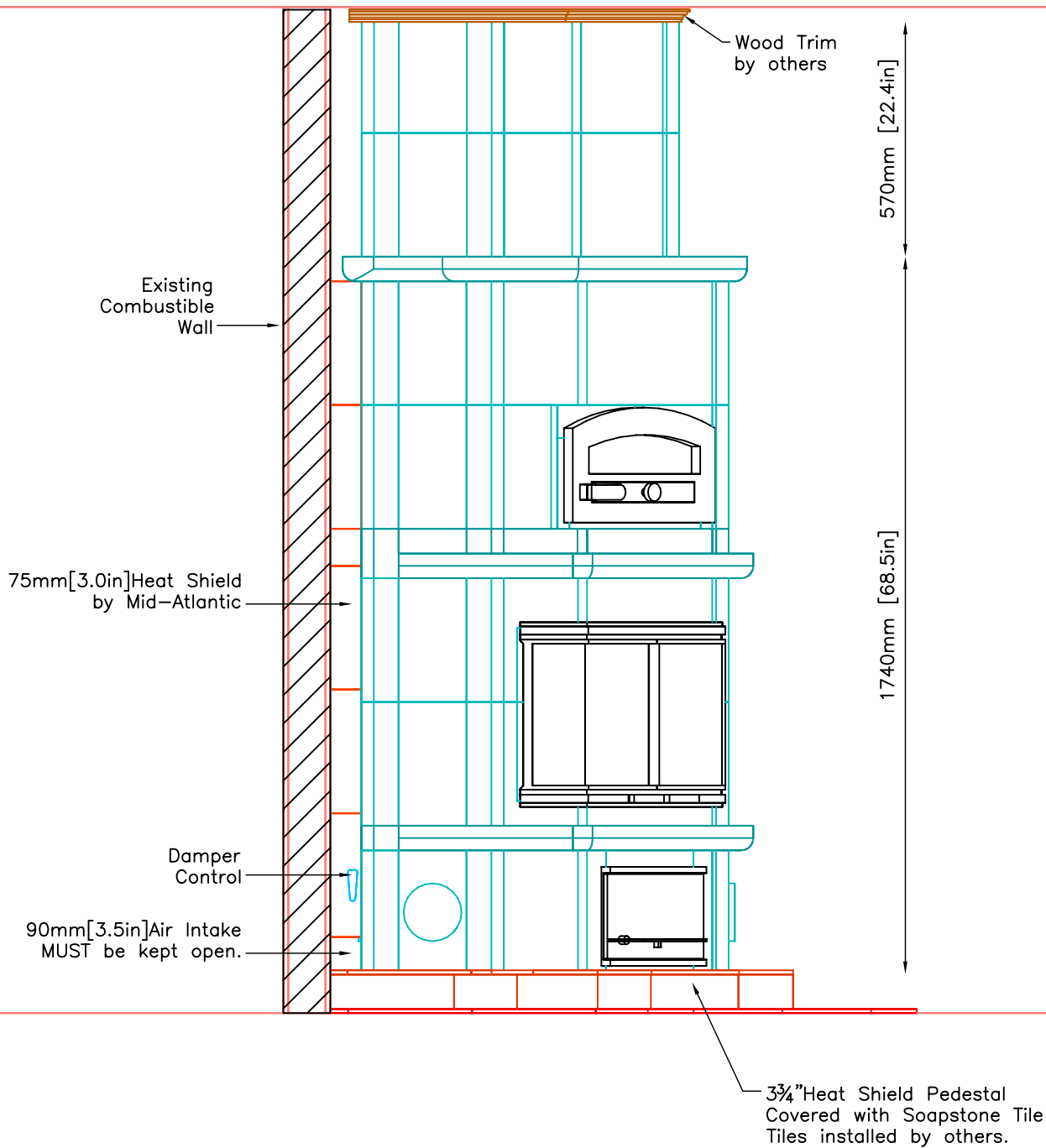
PAGE 2

Revision: 1 Date: 12/02/03 By: DPB

Revision: 2 Date: 12/03/03 By: DPB

# INFORMATION ONLY

SIDE VIEW



NOTE: Hearth Tiles CUT AND INSTALLED by others



MID-ATLANTIC MASONRY HEAT  
 1229 Harris Street Suite 1  
 Charlottesville, VA 22903  
 (434)979-9709 Fax 434-979-6416

PROJECT JOHNSON  
 MODEL KTLU2030

CONTRACT 5485  
 DRAWN BY D.P.BYRAM

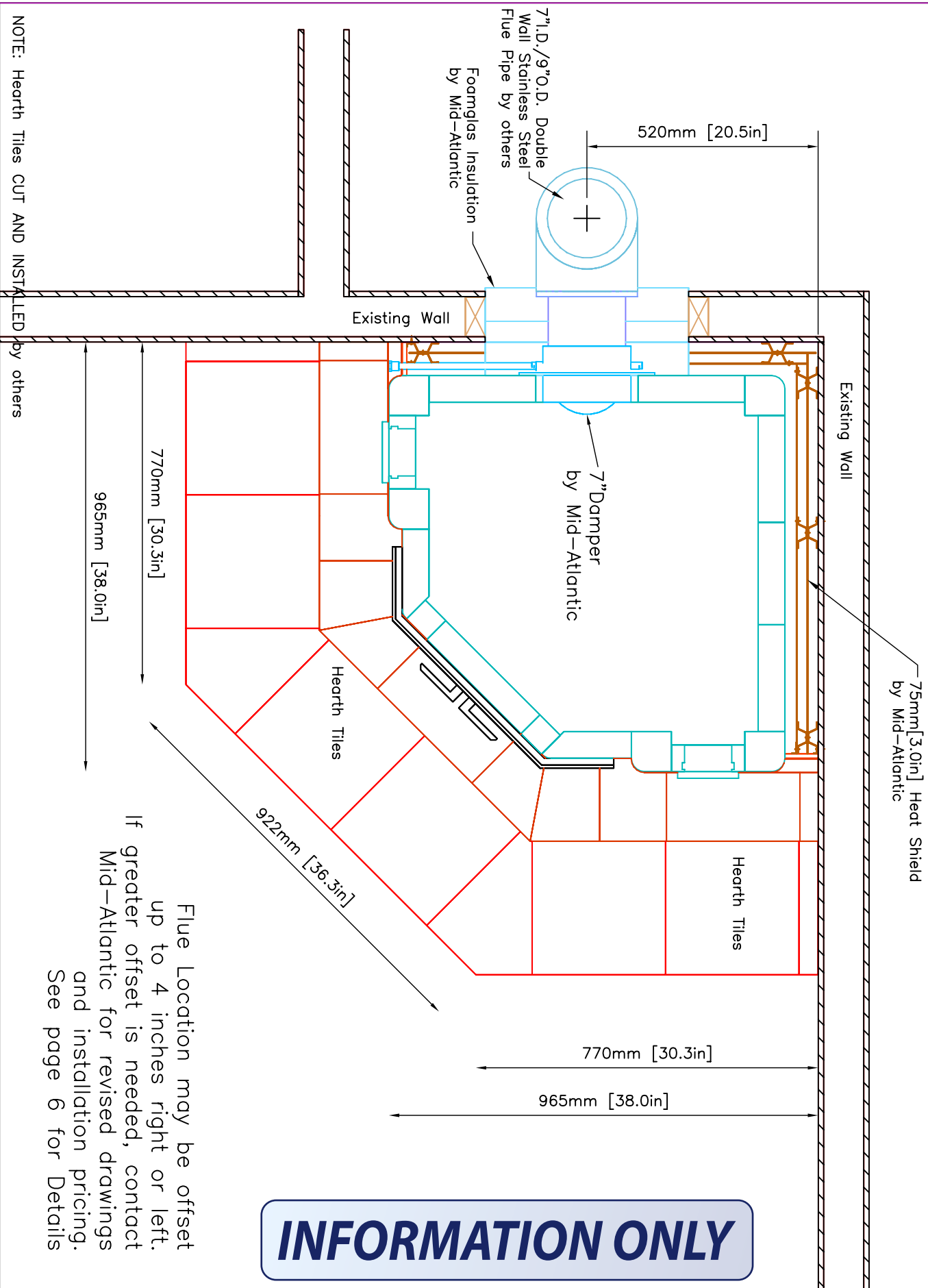
VIEW SIDE  
 DATE 10/8/03

PAGE

3

Revision: 1	Date: 12/02/03	By: DPB
Revision: 2	Date: 12/03/03	By: DPB

PLAN VIEW



Flue Location may be offset up to 4 inches right or left. If greater offset is needed, contact Mid-Atlantic for revised drawings and installation pricing. See page 6 for Details.

**INFORMATION ONLY**

	MID-ATLANTIC MASONRY HEAT 1229 Harris Street Suite 1 Charlottesville, VA 22903 (434)979-9709 Fax 434-979-6416	PROJECT	JOHNSON	CONTRACT	VIEW	PLAN	PAGE 4
		MODEL	KTLU2030	DRAWN BY	D.P.BYRAM	DATE	

NOTE: Hearth Tiles CUT AND INSTALLED by others

Revision: 1 Date: 12/02/03 By: DPB

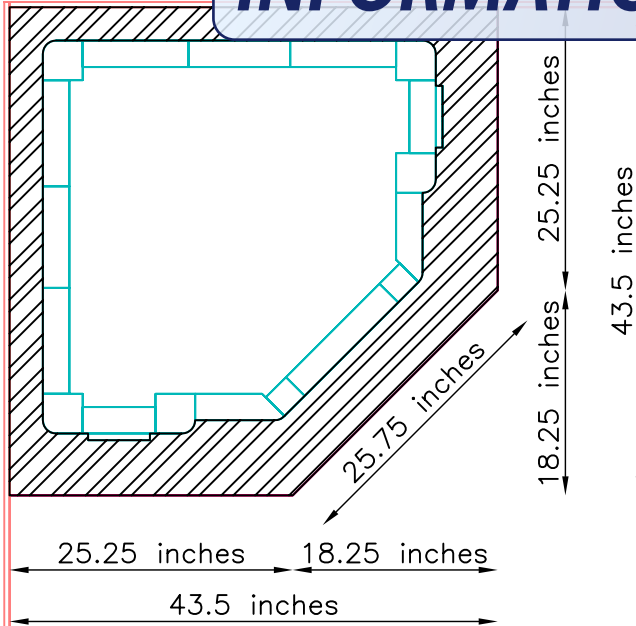
Revision: 2 Date: 12/03/03 By: DPB

# INFORMATION ONLY

## STEEL PLATE PEDESTAL

1/2" STEEL PLATE—BY OTHERS as specified by engineer's drawings from The Bureau of National Affairs, Inc.

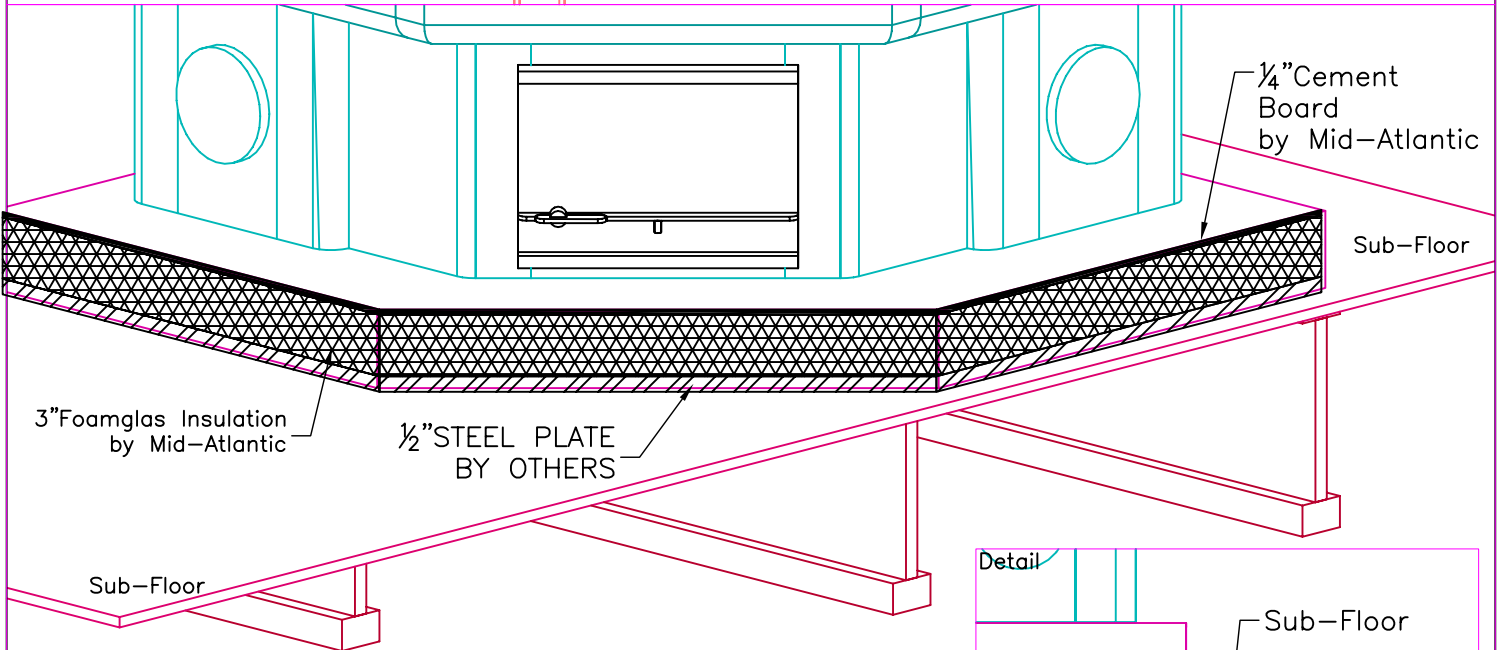
- NOTE:  
STEEL PLATE TO BE LEVEL  
Tolerances:  
+/- 1/8" No additional cost to level steel plate  
+/- 1/4" \$150.00—\$200.00 additional cost to level steel plate  
+/- 1/2" \$500.00 additional cost to level steel plate



Note: Bottom of 1/2" Steel Plate can rest on sub-floor but MUST be Level.

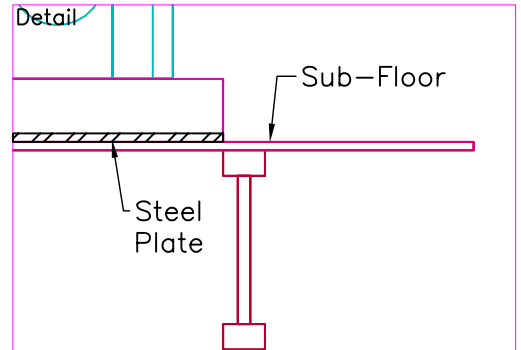
UNIT WEIGHT: 6100lbs.

Owner/Contractor is responsible for engineering support of the steel plate to carry the weight of fireplace, as specified above, without any deflection.



UNIT WEIGHT: 6100lbs.

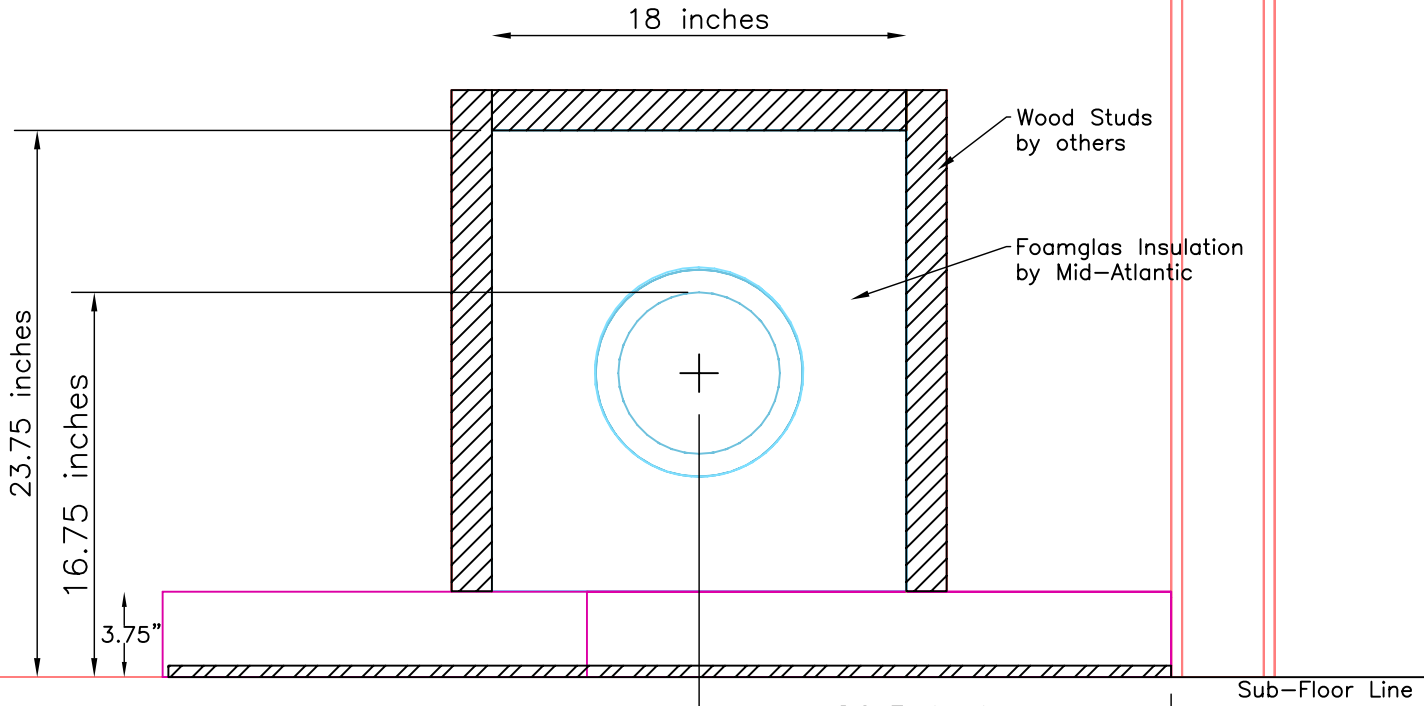
Owner/Contractor is responsible for engineering support of the steel plate to carry the weight of fireplace, as specified above, without any deflection.



Revision: 1	Date: 12/02/03	By: DPB
Revision: 2	Date: 12/03/03	By: DPB

# INFORMATION ONLY

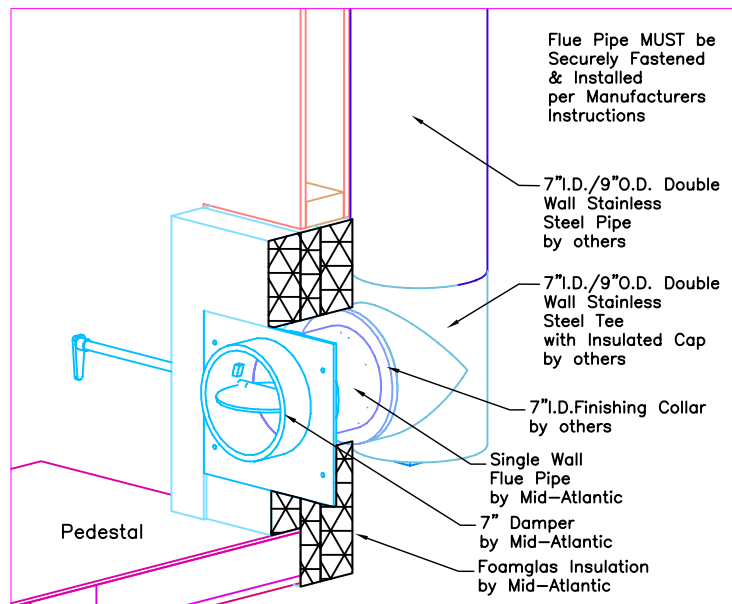
## WALL ELEVATION



**\*CRITICAL DIMENSION:**  
 16<sup>3</sup>/<sub>4</sub>" inches from Sub-Floor  
 (BOTTOM OF STEEL PLATE  
 PEDESTAL) to TOP INSIDE  
 Flue Pipe.

**FLUE LOCATION:**  
 20.5 inches from wall to CENTER of  
 Flue Pipe. Flue can be offset up to 4  
 inches right or left. If greater offset is  
 needed contact Mid-Atlantic for revised  
 drawings and installation pricing.

**Notes:**  
 Sheetrock behind Fireplace MUST be  
 in place PRIOR to Installation.  
 UL Listed - Minimum Foamglas Insulation  
 4" on sides & 6" on top of Flue Pipe.  
**Chimney Placement**  
 \*CRITICAL DIMENSION: 16<sup>3</sup>/<sub>4</sub>" from Sub-Floor  
 (BOTTOM OF STEEL PLATE PEDESTAL) to  
 TOP INSIDE Flue Pipe.



MID-ATLANTIC MASONRY HEAT  
 1229 Harris Street Suite 1  
 Charlottesville, VA 22903  
 (434)979-9709 Fax 434-979-6416

PROJECT JOHNSON  
 MODEL KTLU2030

CONTRACT 5485  
 DRAWN BY D.P.BYRAM

VIEW Wall Elevation  
 DATE 10/8/03

PAGE 6