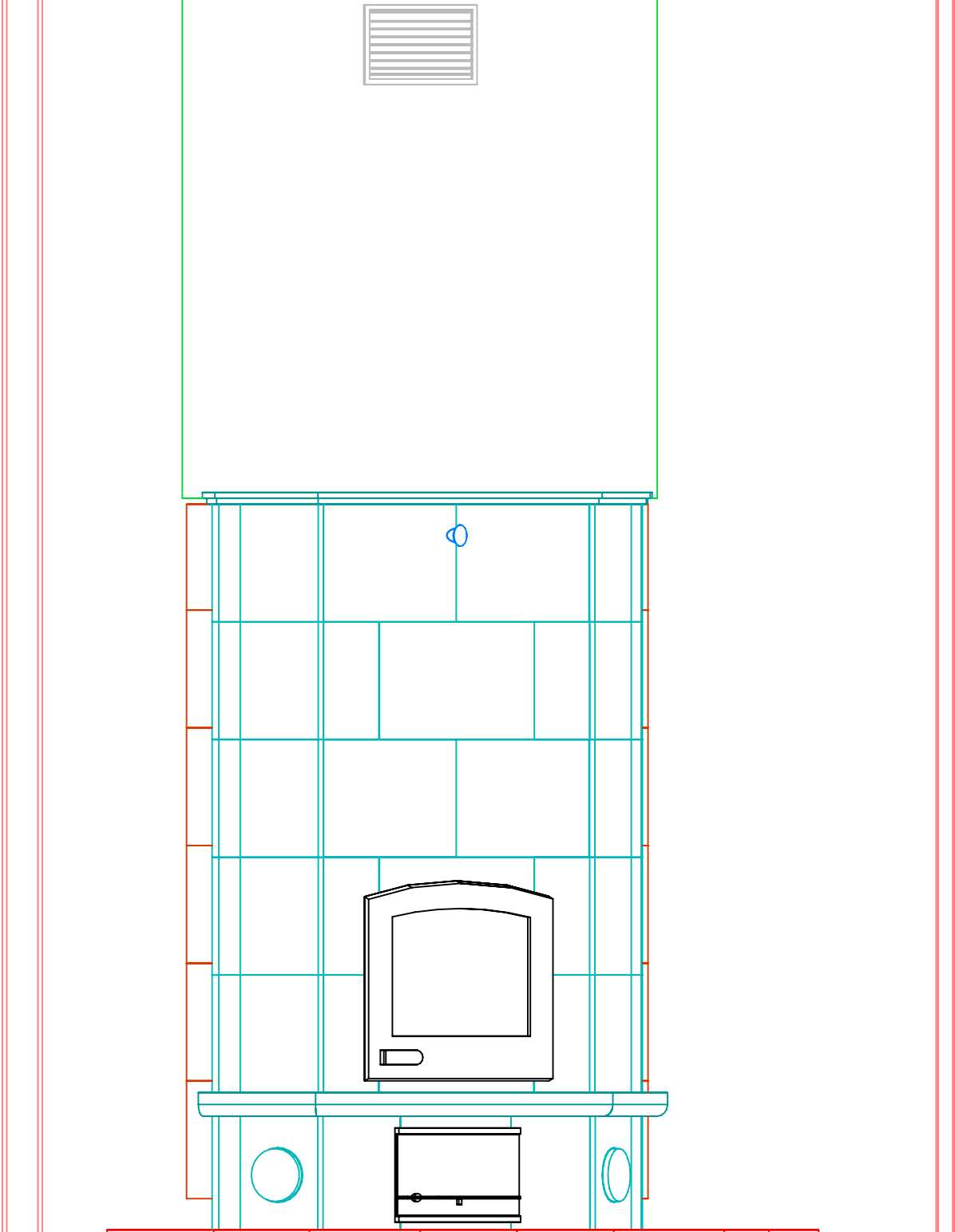


# INFORMATION ONLY



NOTE: Hearth Tiles CUT AND INSTALLED by others



MID-ATLANTIC MASONRY HEAT  
1229 Harris Street Suite 1  
Charlottesville, VA 22903  
(434)979-9709 Fax 434-979-6416

PROJECT PACE  
MODEL KTU1800

CONTRACT  
DRAWN BY D.P.BYRAM

VIEW PERSPECTIVE  
DATE 4/21/03

PAGE 1

FRONT VIEW

# INFORMATION ONLY

Air Vent  
Location and  
Installation  
by others



Sheetrock  
Chimney Chase  
by others

NO Combustible  
Materials WITHIN  
10" OF TOP  
OF FIREPLACE.  
Use Metal Studs  
and Cement Board

Damper  
Control



1890mm [74.4in]

SIDE VIEW

# INFORMATION ONLY

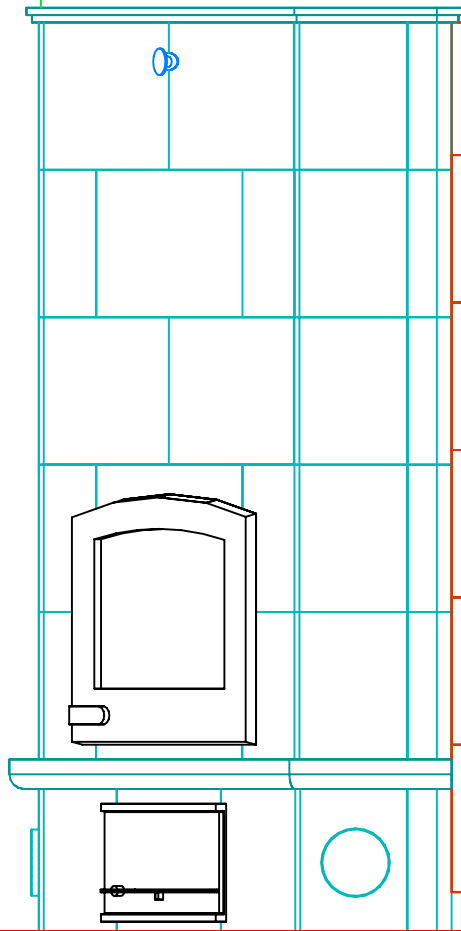
Air Vent  
Location and  
Installation by others.



Sheetrock Chimney  
Chase by others.

NO Combustible  
Materials WITHIN  
10" OF TOP OF FIREPLACE  
Use Metal Studs  
and Cement Board.

1890mm [74.4in]



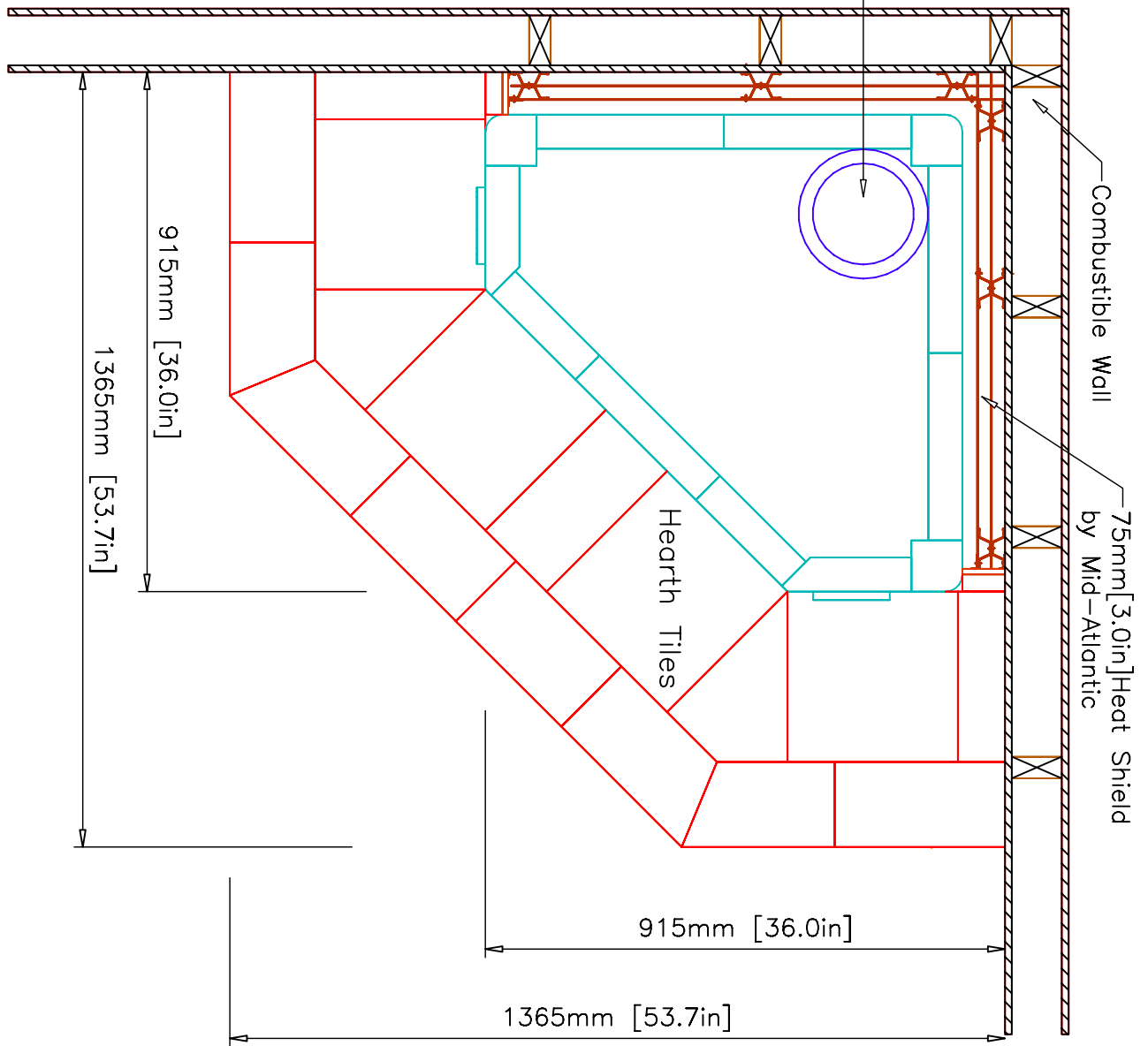
75mm[3.0in]  
Heat Shield  
by Mid-Atlantic

90mm[3.5in]  
Air Intake  
MUST be kept open

**INFORMATION ONLY**

See page 7  
for Flue Location

7" I.D./9" O.D.  
Double Wall  
Stainless Steel  
Flue Pipe  
by others.

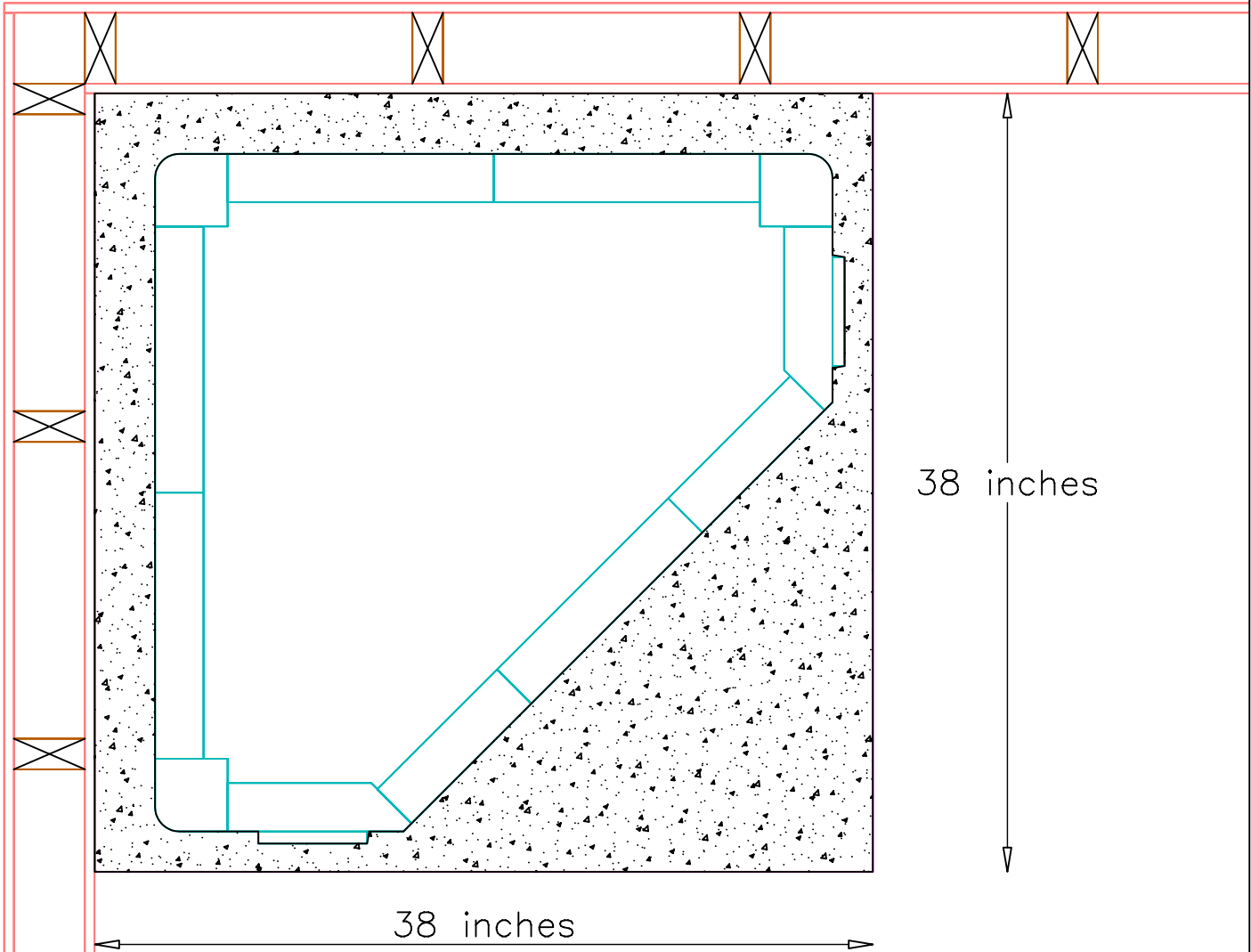


NOTE: Hearth Tiles CUT AND INSTALLED by others

# CAPPING SLAB

Minimum Dimensions--2" from Base of Unit

**INFORMATION ONLY**



NOTE:  
 TOP OF CAPPING SLAB TO BE LEVEL  
 AND FLUSH WITH SUB-FLOOR  
 Tolerances:  
 +/- 1/8" No additional cost to adjust slab  
 +/- 1/4" \$150.00-\$200.00 additional cost to adjust slab  
 +/- 1/2" \$500.00 additional cost to adjust slab

UNIT WEIGHT: MINIMUM 4000lbs.

Contractor is responsible for engineering capping slab to support weight of fireplace.



MID-ATLANTIC MASONRY HEAT  
 1229 Harris Street Suite 1  
 Charlottesville, VA 22903  
 (434)979-9709 Fax 434-979-6416

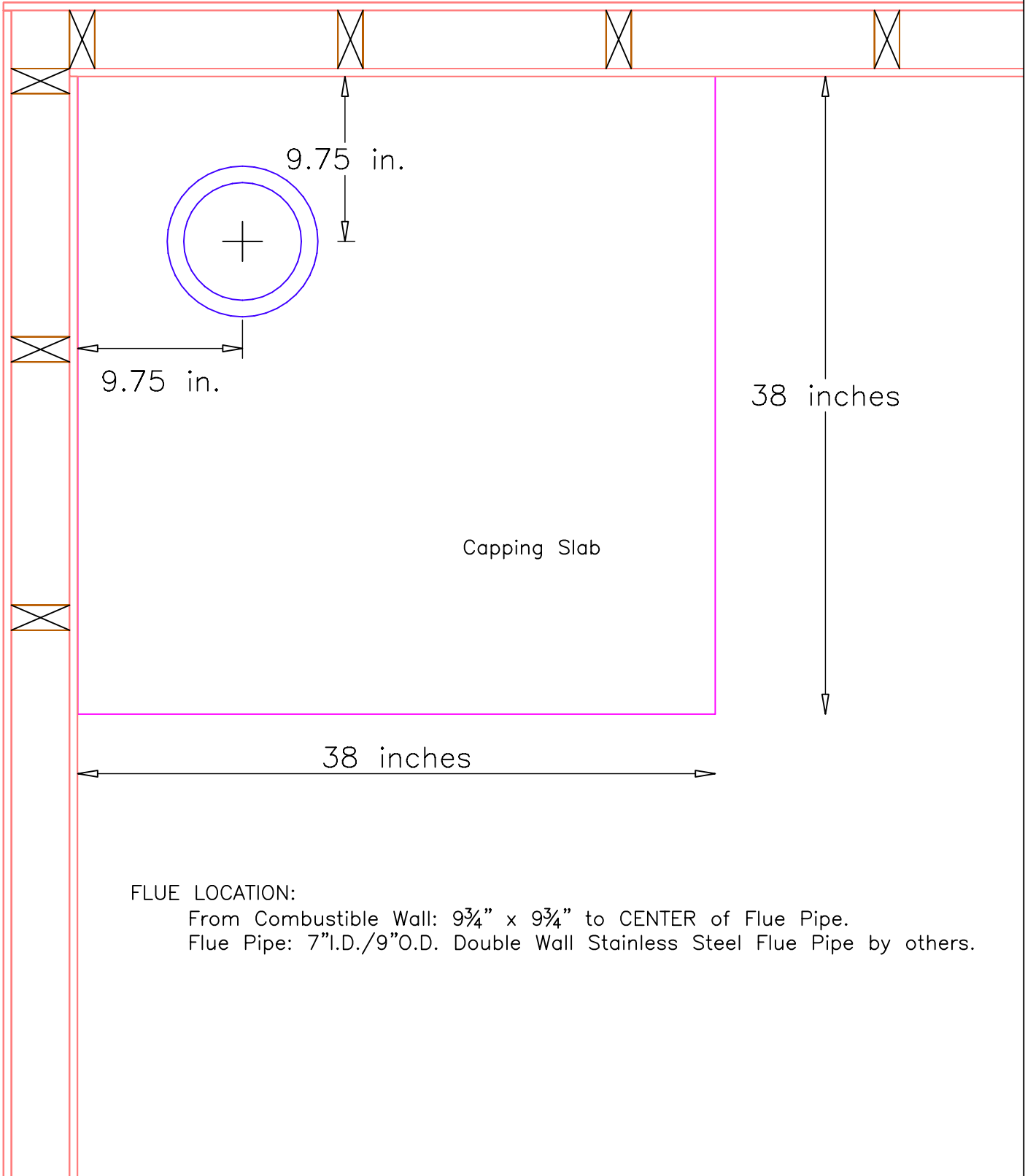
PROJECT PACE  
 MODEL KTU1800

CONTRACT  
 DRAWN BY D.P.BYRAM

VIEW SUPPORT  
 DATE 4/21/03

PAGE

5



**FLUE LOCATION:**

From Combustible Wall: 9<sup>3</sup>/<sub>4</sub>" x 9<sup>3</sup>/<sub>4</sub>" to CENTER of Flue Pipe.

Flue Pipe: 7" I.D./9" O.D. Double Wall Stainless Steel Flue Pipe by others.