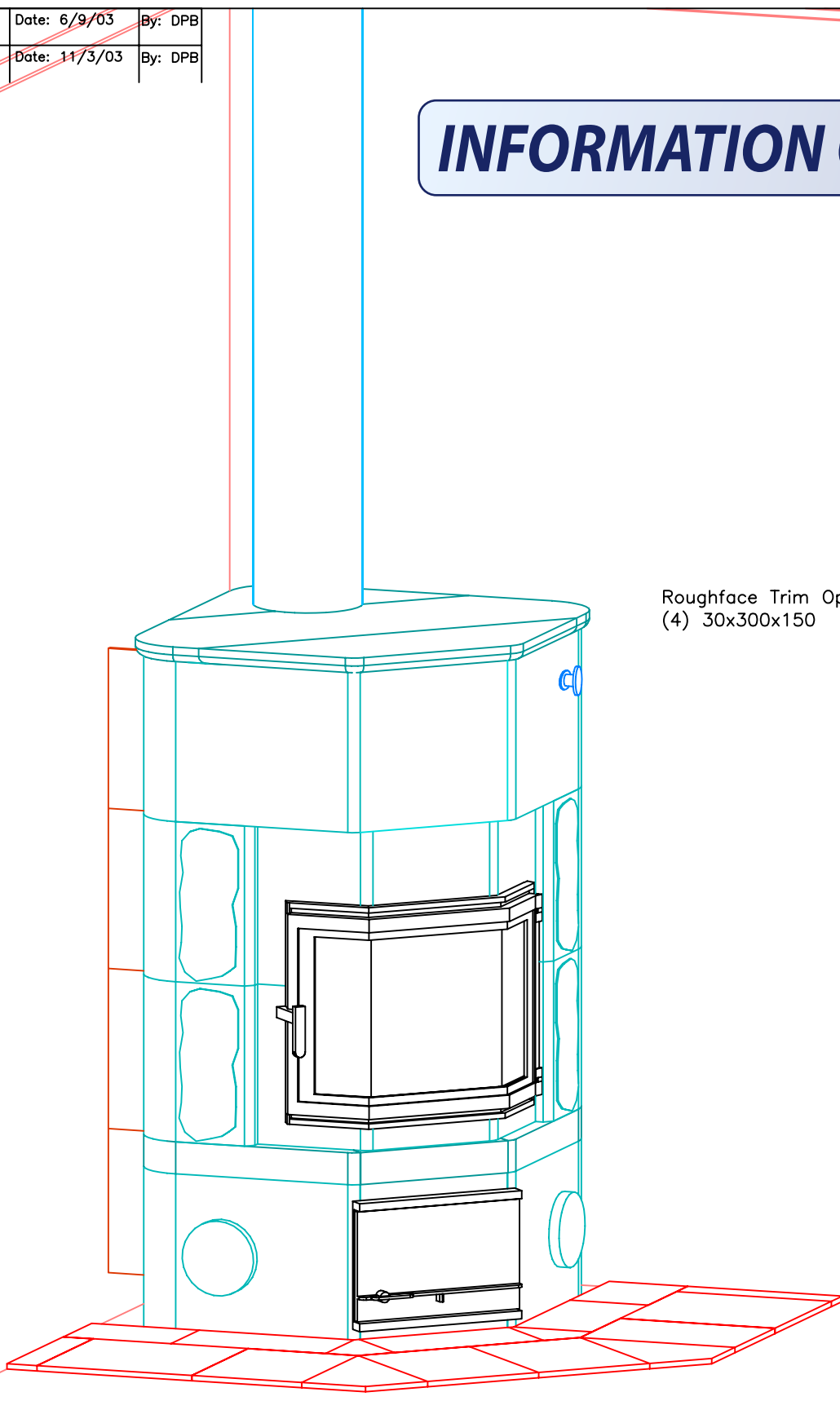


Revision: 1 Date: 6/9/03 By: DPB

Revision: 2 Date: 11/3/03 By: DPB

INFORMATION ONLY

Roughface Trim Option:
(4) 30x300x150



NOTE: Hearth Tiles CUT AND INSTALLED by others



MID-ATLANTIC MASONRY HEAT
 1229 Harris Street Suite 1
 Charlottesville, VA 22903
 (434)979-9709 Fax 434-979-6416

PROJECT ALTENDERFER
 MODEL KTU1130-4D

CONTRACT
 DRAWN BY D.P.BYRAM

VIEW PERSPECTIVE
 DATE 4/28/03

PAGE 1

Revision: 1 Date: 6/9/03 By: DPB

Revision: 2 Date: 11/3/03 By: DPB

INFORMATION ONLY

FRONT VIEW

12"x12"
Inset Tile
supplied by
owner

6" I.D./8" O.D.
Double Wall
Stainless Steel
Flue Pipe
by others.

Damper
Control

1290mm [50.8in]



MID-ATLANTIC MASONRY HEAT
1229 Harris Street Suite 1
Charlottesville, VA 22903
(434)979-9709 Fax 434-979-6416

PROJECT ALTENDERFER
MODEL KTU1130-4D

CONTRACT
DRAWN BY D.P.BYRAM

VIEW FRONT
DATE 4/28/03

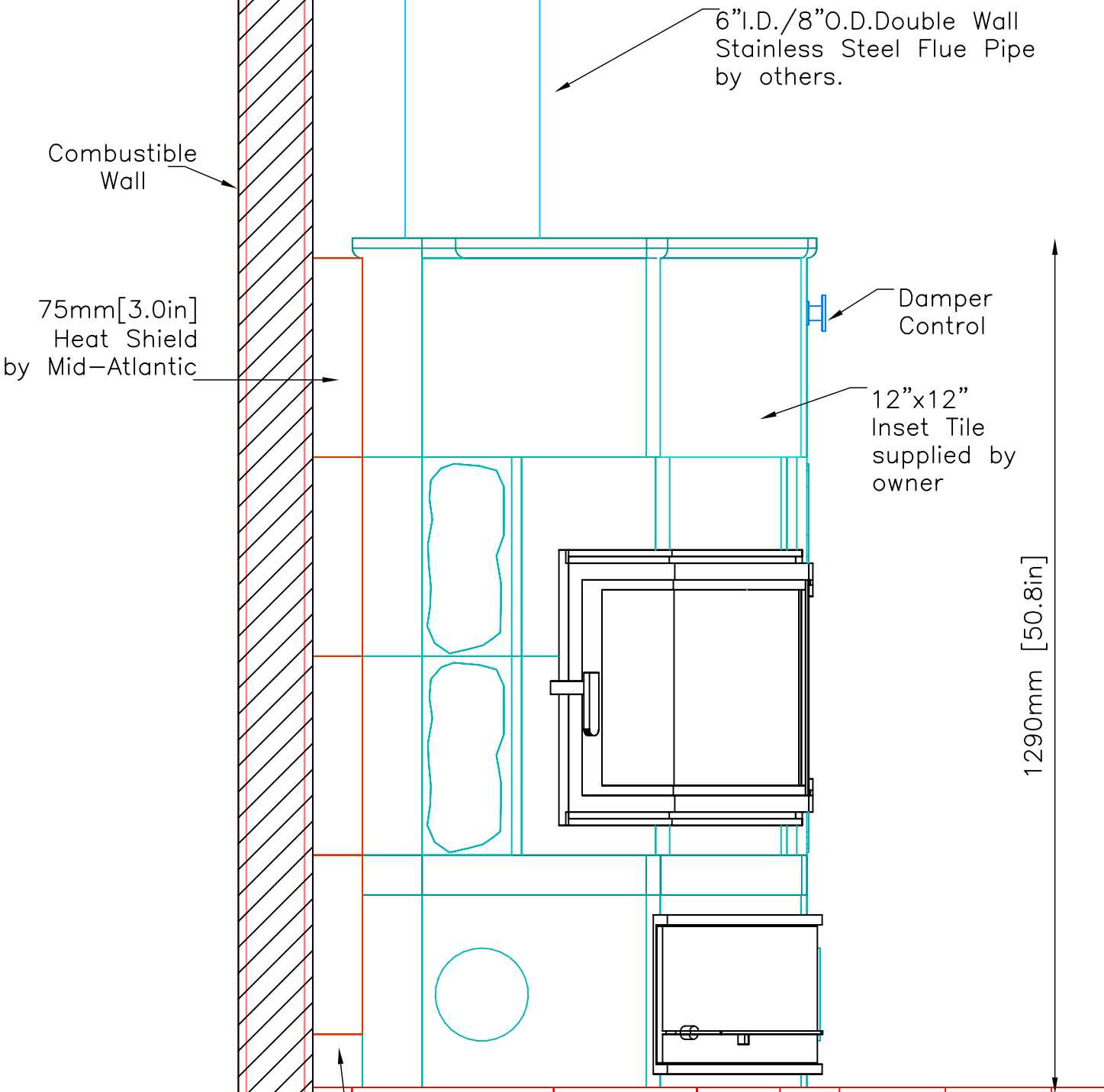
PAGE 2

Revision: 1 Date: 6/9/03 By: DPB

Revision: 2 Date: 11/3/03 By: DPB

SIDE VIEW

INFORMATION ONLY



MID-ATLANTIC MASONRY HEAT
 1229 Harris Street Suite 1
 Charlottesville, VA 22903
 (434)979-9709 Fax 434-979-6416

PROJECT ALTENDERFER
 MODEL KTU1130-4D

CONTRACT
 DRAWN BY D.P.BYRAM

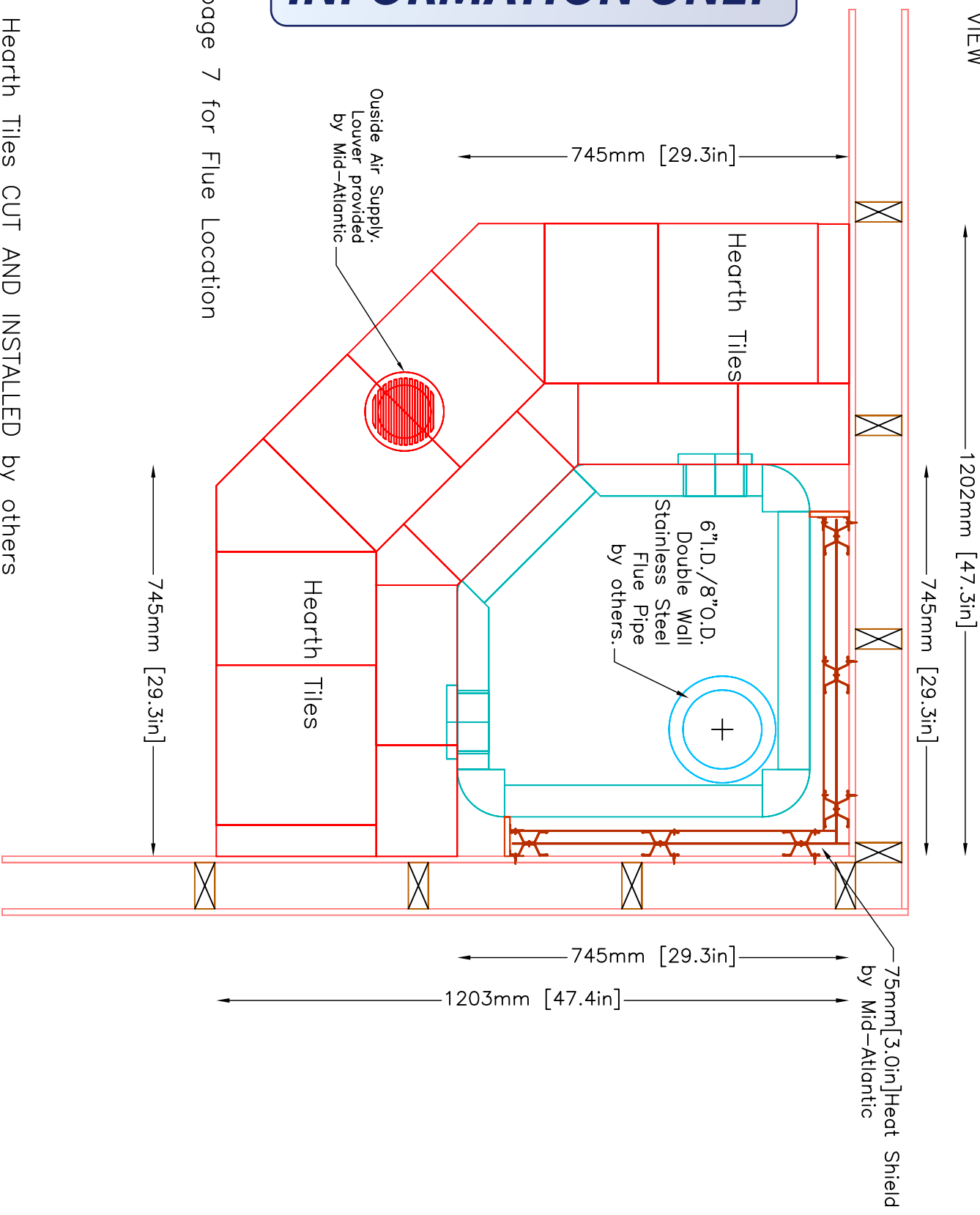
VIEW SIDE
 DATE 4/28/03

PAGE 3

| | | |
|-------------|---------------|---------|
| Revision: 1 | Date: 6/9/03 | By: DPB |
| Revision: 2 | Date: 11/3/03 | By: DPB |

PLAN VIEW

INFORMATION ONLY



See page 7 for Flue Location

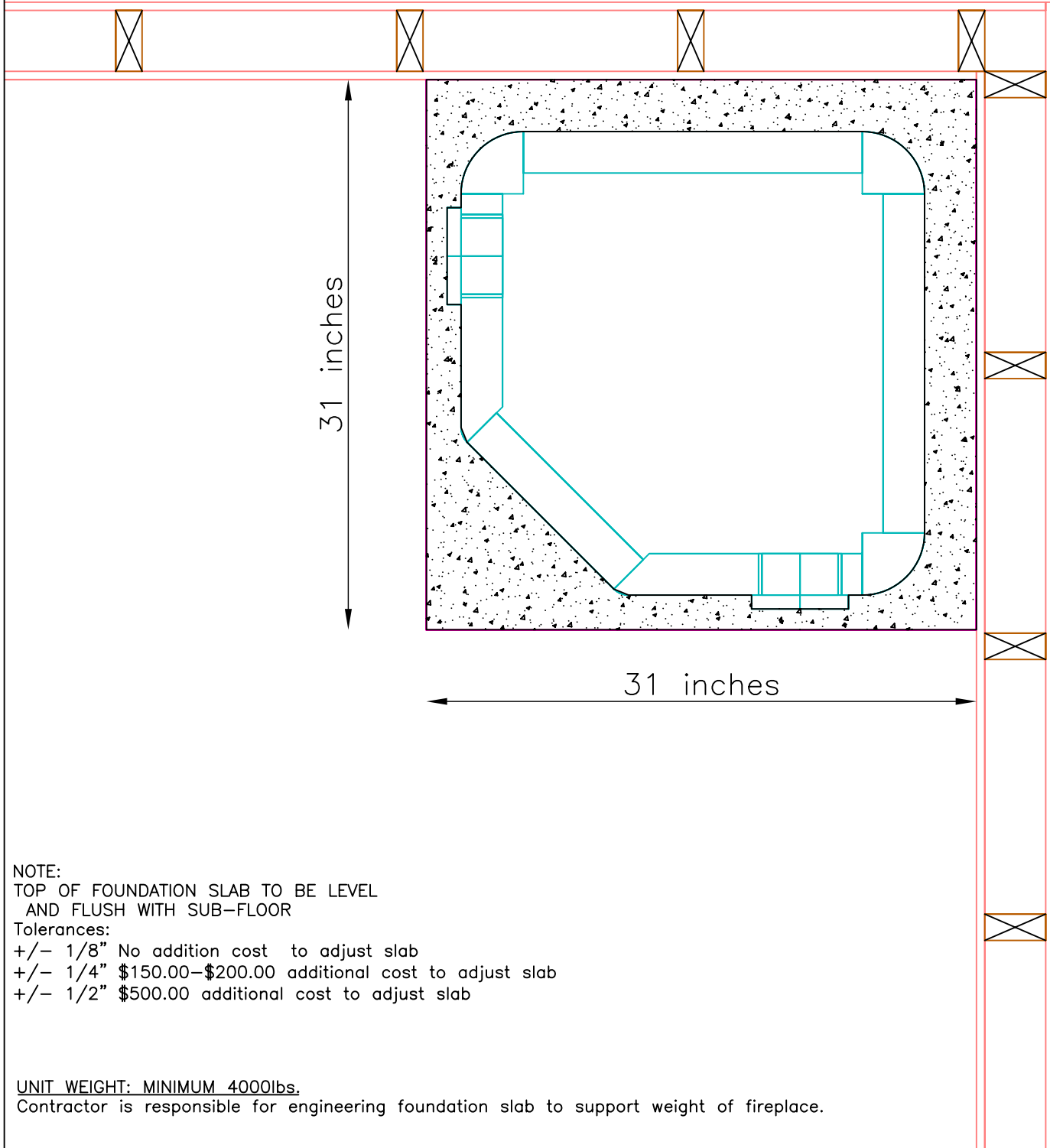
NOTE: Hearth Tiles CUT AND INSTALLED by others

| | | |
|-------------|---------------|---------|
| Revision: 1 | Date: 6/9/03 | By: DPB |
| Revision: 2 | Date: 11/3/03 | By: DPB |

INFORMATION ONLY

FOUNDATION SLAB

Minimum Dimensions--2" from Base of Unit

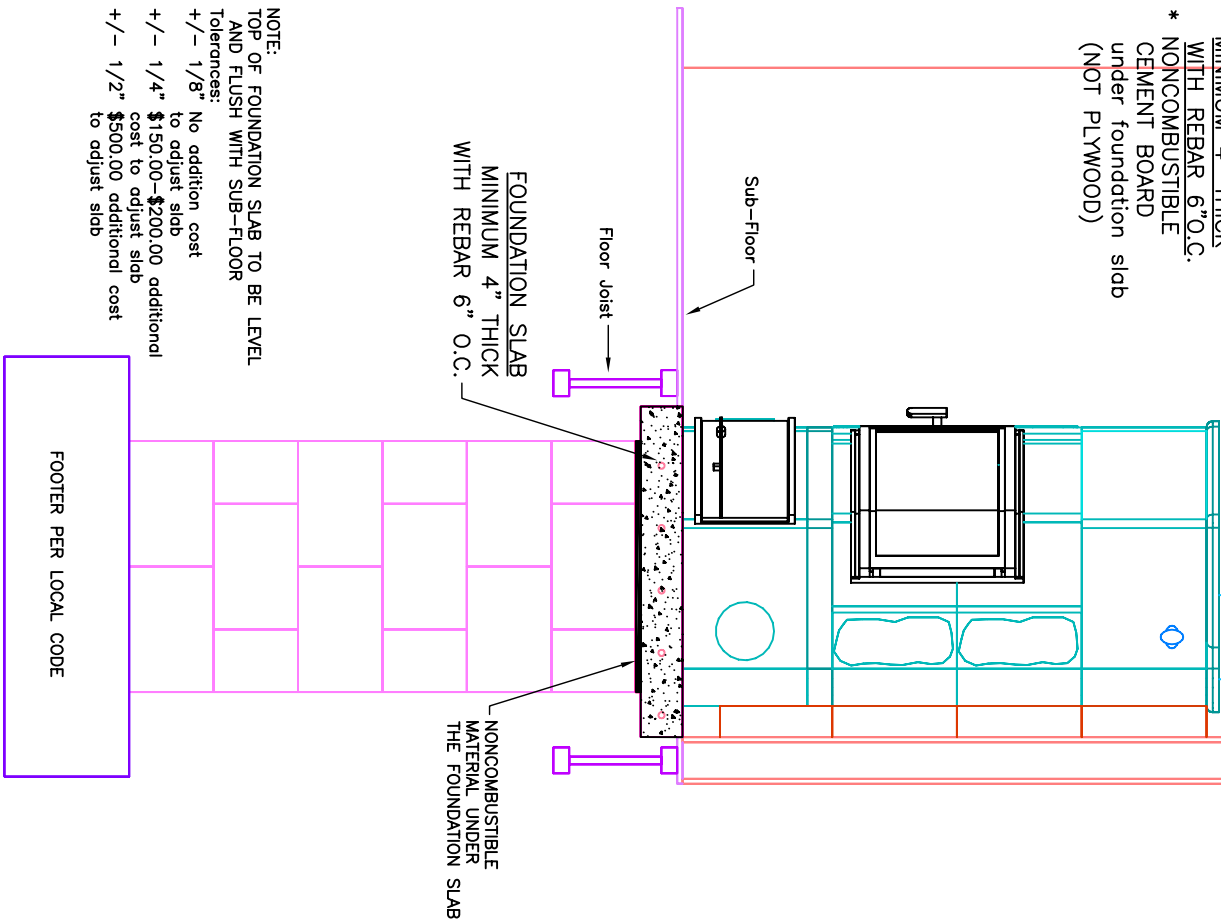


NOTE:
 TOP OF FOUNDATION SLAB TO BE LEVEL
 AND FLUSH WITH SUB-FLOOR
 Tolerances:
 +/- 1/8" No addition cost to adjust slab
 +/- 1/4" \$150.00-\$200.00 additional cost to adjust slab
 +/- 1/2" \$500.00 additional cost to adjust slab

UNIT WEIGHT: MINIMUM 4000lbs.
 Contractor is responsible for engineering foundation slab to support weight of fireplace.

| | | |
|-------------|---------------|---------|
| Revision: 1 | Date: 6/9/03 | By: DPB |
| Revision: 2 | Date: 11/3/03 | By: DPB |

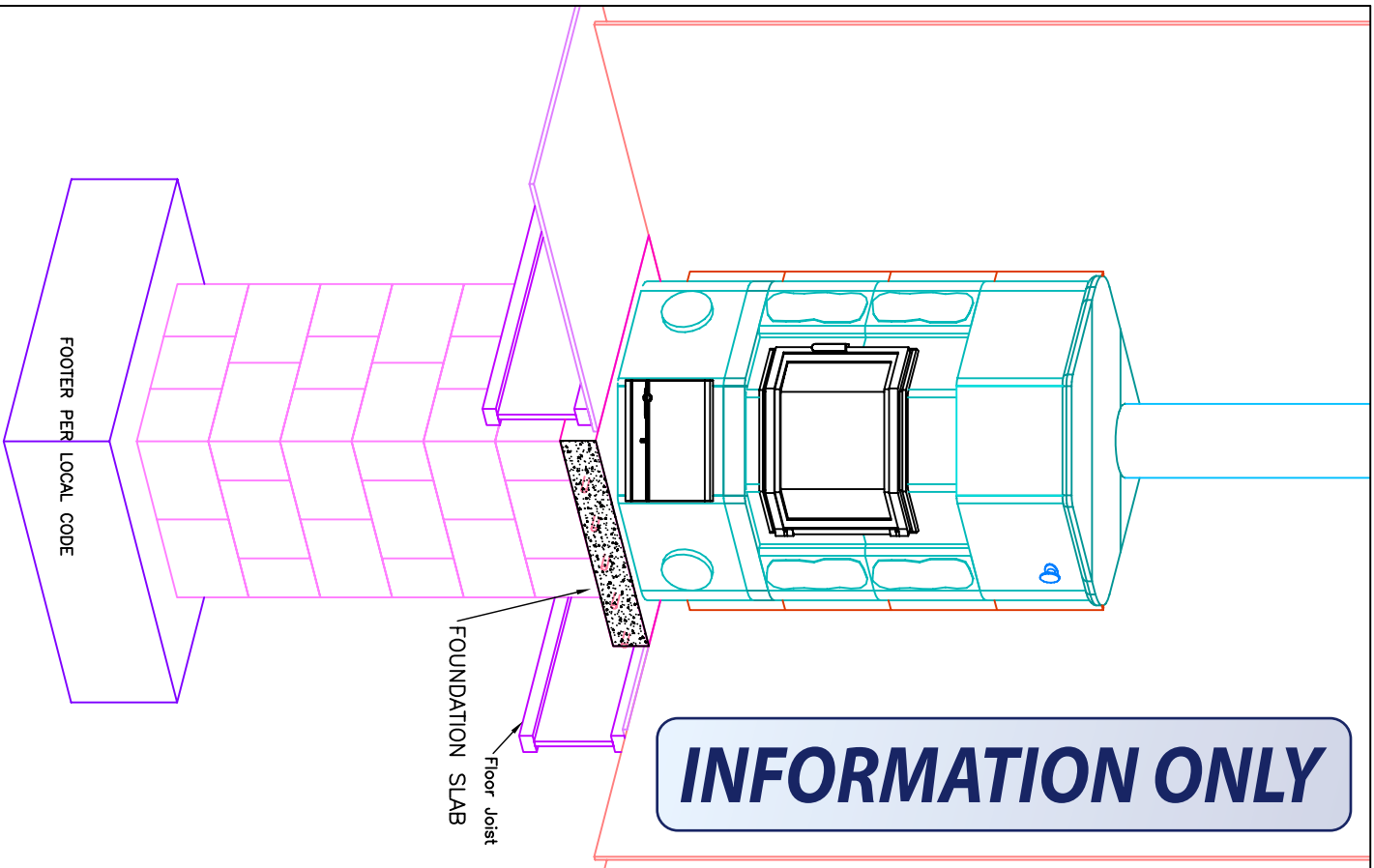
FOUNDATIN SLAB:
 * MINIMUM 4" THICK
 WITH REBAR 6" O.C.
 * NONCOMBUSTIBLE
 CEMENT BOARD
 under foundation slab
 (NOT PLYWOOD)



NOTE:
 TOP OF FOUNDATION SLAB TO BE LEVEL
 AND FLUSH WITH SUB-FLOOR
 Tolerances:
 +/- 1/8" No addition cost
 to adjust slab
 +/- 1/4" \$150.00-\$200.00 additional
 cost to adjust slab
 +/- 1/2" \$500.00 additional cost
 to adjust slab

UNIT WEIGHT: Approx. 4000lbs.
 Contractor is responsible for engineering foundatin slab to support weight of fireplace.

INFORMATION ONLY



MID-ATLANTIC MASONRY HEAT
 McIntire Business Park
 Charlottesville, VA 22903
 (434)979-9709 Fax 434-979-6416

| | |
|------------------------|-----------------------|
| PROJECT ALTENDERFER | CONTRACT |
| MODEL KTU1130-4D | DRAWN BY D.P.BYRAM |

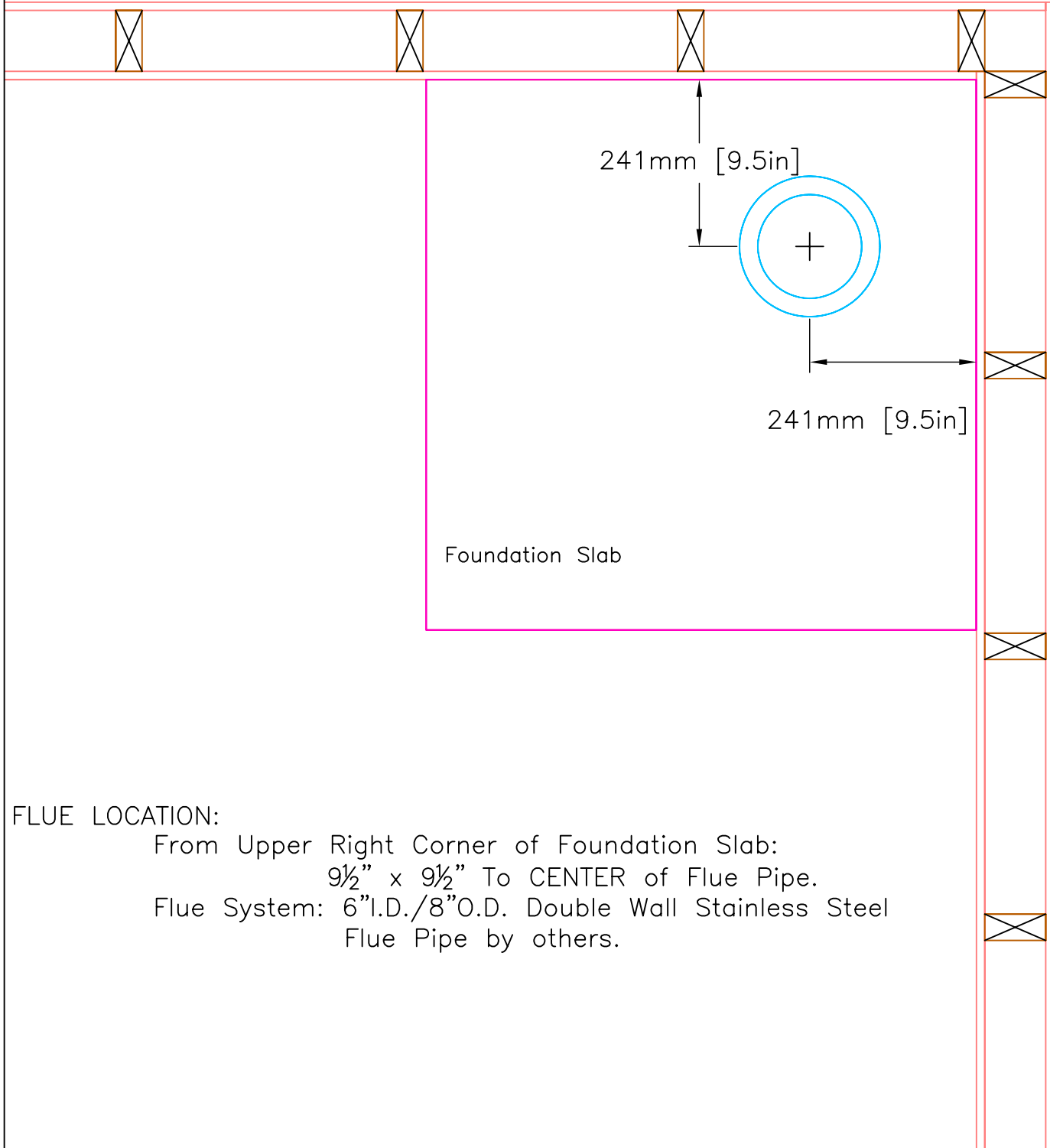
| | |
|-----------------|-----------------|
| VIEW Support | DATE 4/28/03 |
|-----------------|-----------------|

Revision: 1 Date: 6/9/03 By: DPB

Revision: 2 Date: 11/3/03 By: DPB

INFORMATION ONLY

FLUE LOCATION



FLUE LOCATION:

From Upper Right Corner of Foundation Slab:

9½" x 9½" To CENTER of Flue Pipe.

Flue System: 6" I.D./8" O.D. Double Wall Stainless Steel Flue Pipe by others.