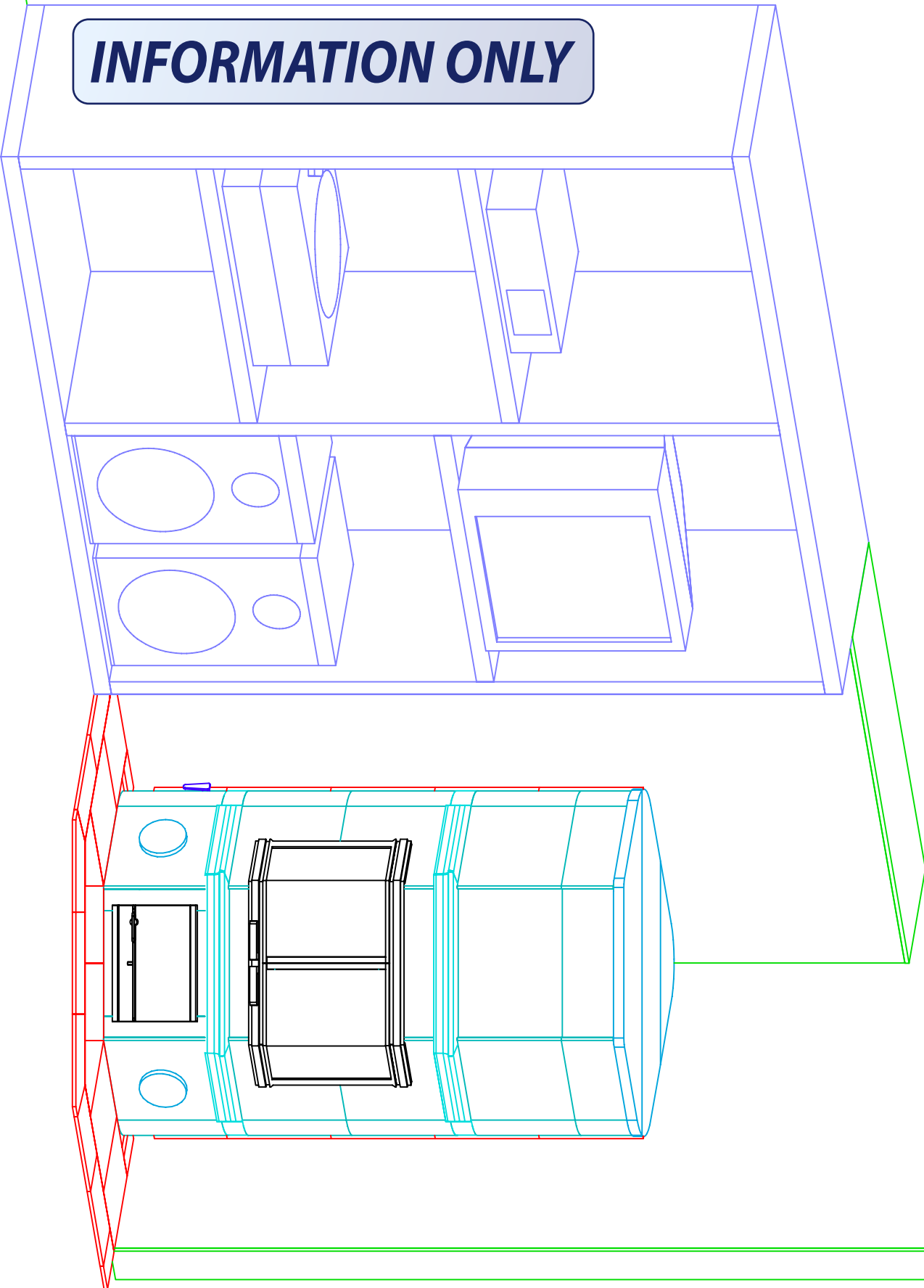


INFORMATION ONLY

NOTE: HEARTH TILES INSTALLED BY OTHERS



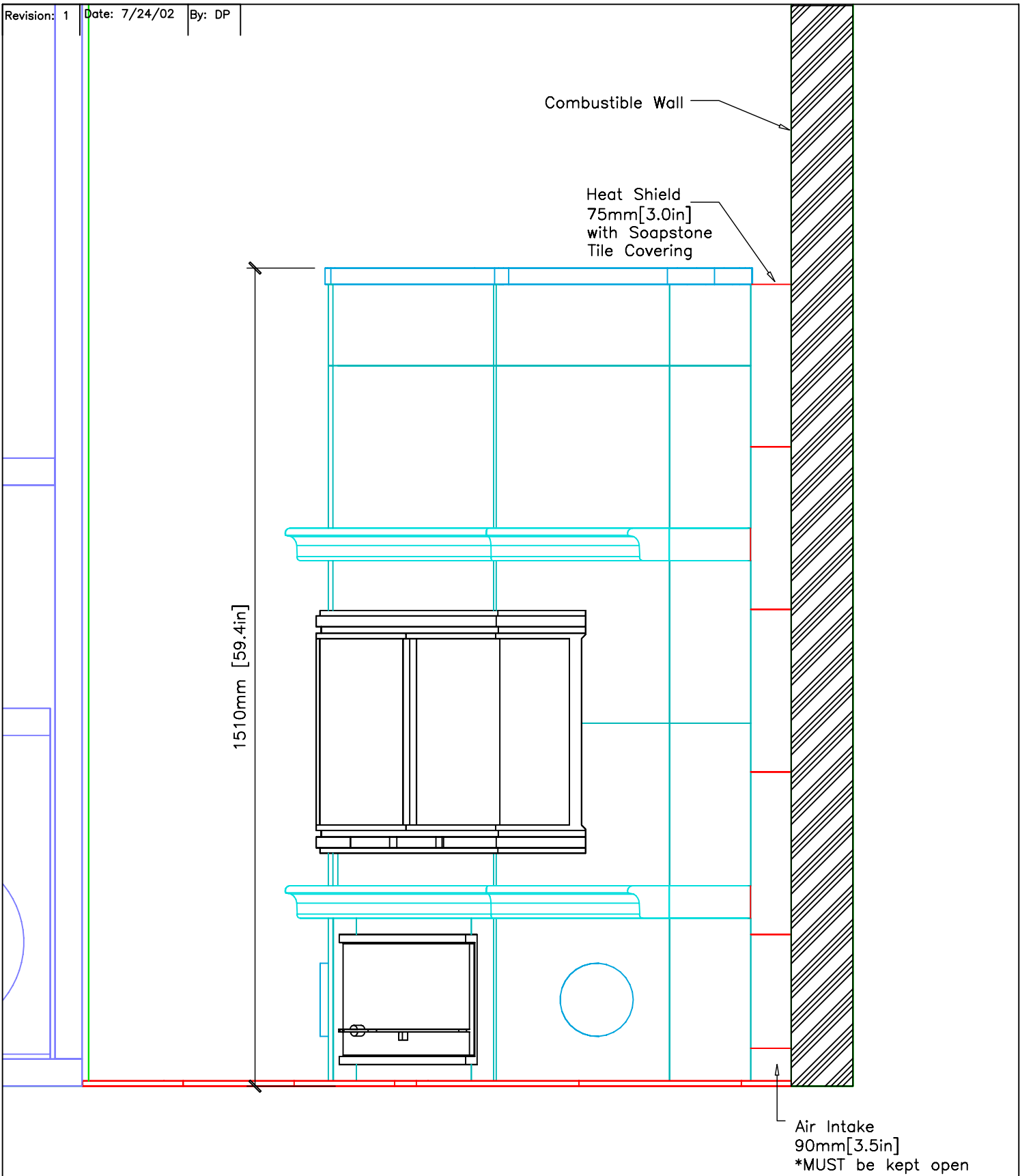
MID-ATLANTIC MASONRY HEAT
 McIntire Business Park
 Charlottesville, VA 22903
 (434)979-9707 Fax 434-979-6416

PROJECT RYAN
 MODEL KTU1330/1

CONTRACT
 DRAWN BY D.POWLEY

VIEW FRONT
 DATE 3/20/02

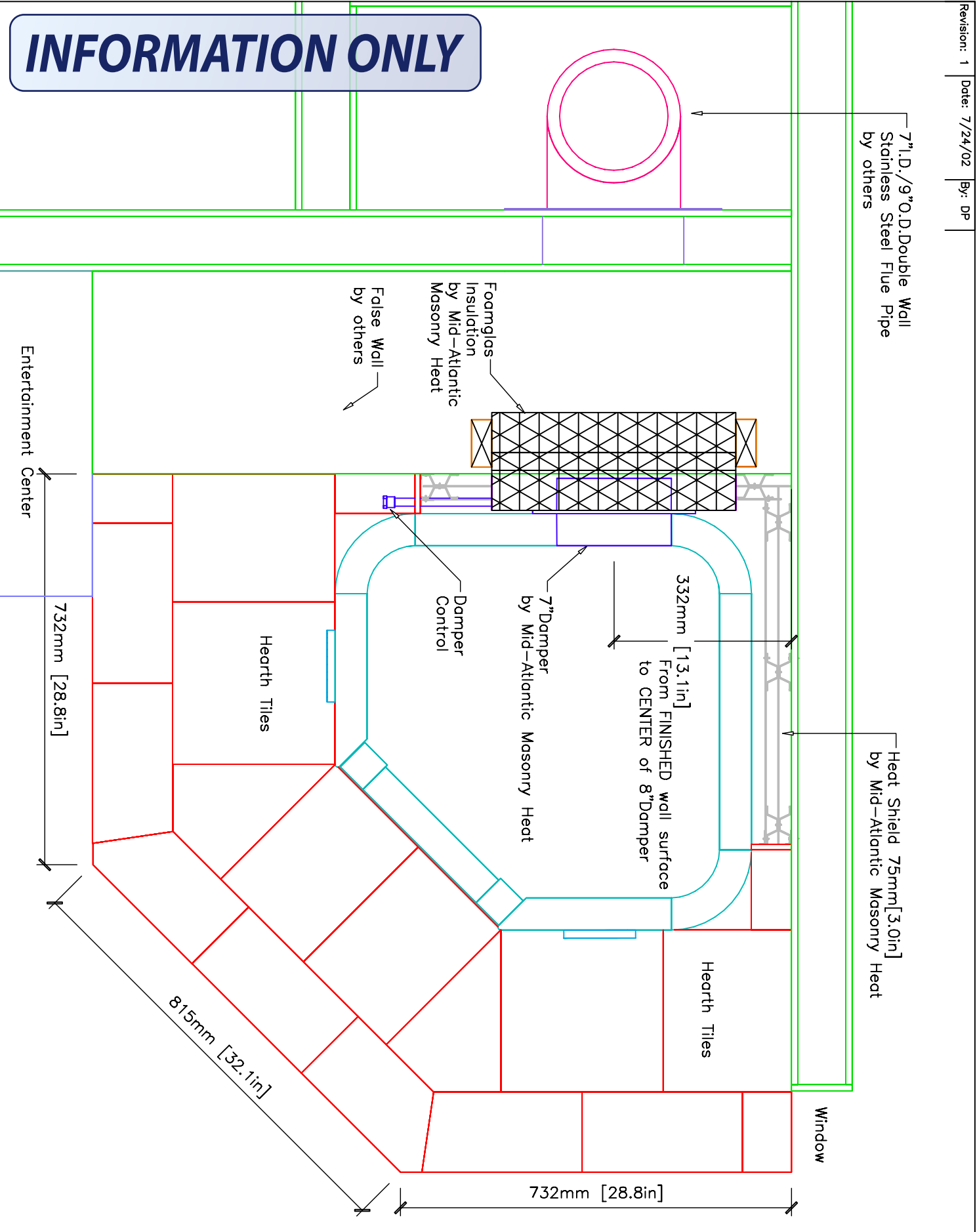
PAGE 1



INFORMATION ONLY

INFORMATION ONLY

Revision: 1 Date: 7/24/02 By: DP

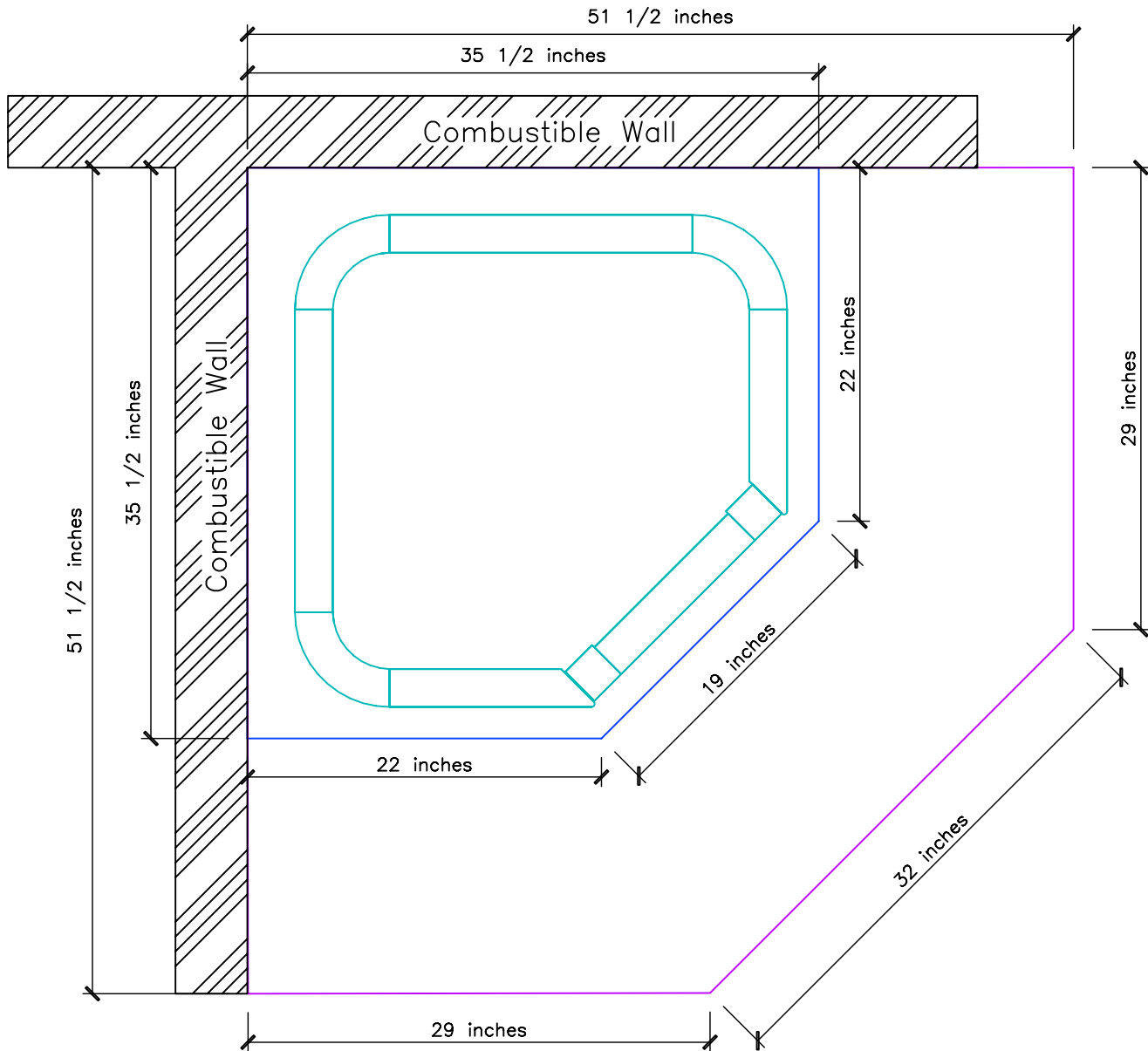


	MID-ATLANTIC MASONRY HEAT McIntire Business Park Charlottesville, VA 22903 (434)979-9707 Fax 434-979-6416	PROJECT	RYAN	CONTRACT	VIEW	PLAN	PAGE
		MODEL	KTU1330/1	DRAWN BY	D. POWLEY	DATE	3/20/02

CAPPING SLAB

Recommended Dimensions--Entire Hearth Area

Minimum Dimensions--2" from Base of Unit



INFORMATION ONLY

NOTE:
 TOP OF CAPPING SLAB TO BE LEVEL WITH SUB-FLOOR
 Tolerances: +/- 1/8" No additional cost to adjust slab
 +/- 1/4" \$150.00-\$200.00 additional cost to adjust slab
 +/- 1/2" \$500.00 additional cost to adjust slab

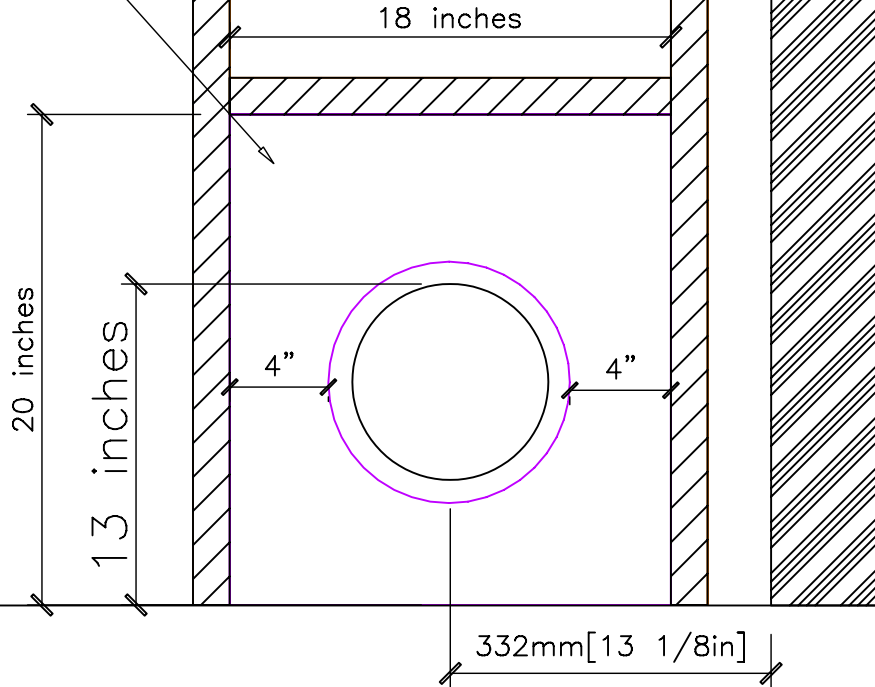
Unit Weight: Approx. lbs.
 Contractor is responsible for engineering capping slab to support weight of fireplace

WALL ELEVATION

INFORMATION ONLY

Foamglas Insulation
by Mid-Atlantic
Masonry Heat

Wood Studs
by others



Capping Slab Line

*CRITICAL DIMENSION:
13" from Capping Slab
(which is level & flush with sub-floor)
to TOP INSIDE Flue Pipe

**CRITICAL DIMENSION:
13 1/8" from FINISHED wall surface
to CENTER of flue pipe

WALL OPENING:

Sheetrock around 18"X20" Opening MUST be in place prior to installation
UL Listed-MINIMUM 4" Foamglas Insulation around Flue Pipe

Chimney Placement:

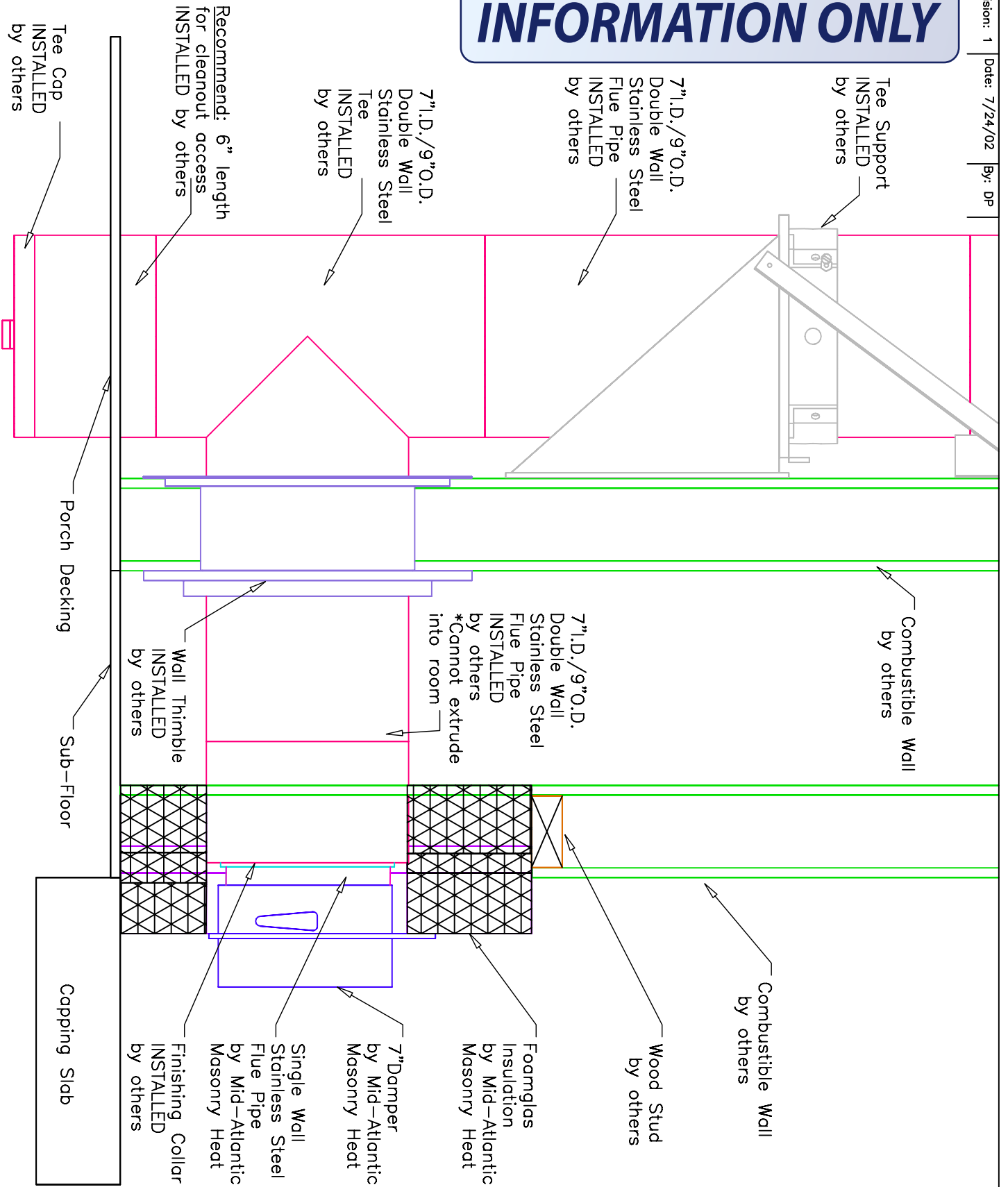
*CRITICAL DIMENSION-13" from Capping Slab(which is level & flush with subfloor)
to TOP INSIDE Flue Pipe

**CRITICAL DIMENSION-13 1/8" from FINISHED wall surface to
CENTER of flue pipe

Chimney-7" I.D./9" O.D. Double Wall Stainless Steel Flue Pipe

INFORMATION ONLY

Revision: 1 Date: 7/24/02 By: DP



MID-ATLANTIC MASONRY HEAT
 McIntire Business Park
 Charlottesville, VA 22903
 (434)979-9707 Fax 434-979-6416

PROJECT RYAN
 MODEL KTU1330/1

CONTRACT
 DRAWN BY D.POWLEY

VIEW PLAN
 DATE 3/20/02

PAGE 00