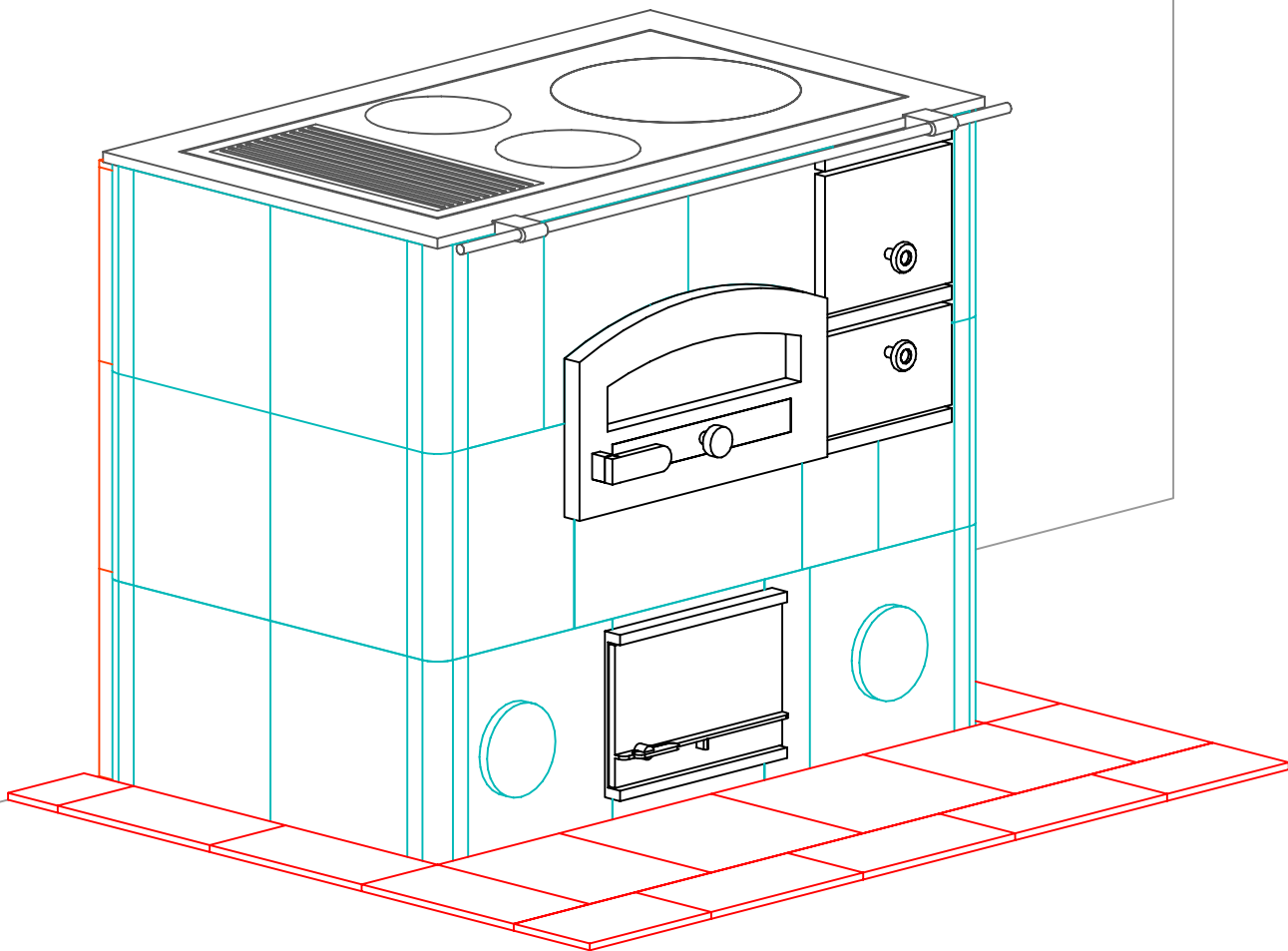


INFORMATION ONLY



NOTE: Hearth Tiles CUT AND INSTALLED by others



MID-ATLANTIC MASONRY HEAT
1229 Harris Street Suite 1
Charlottesville, VA 22903
(434)979-9709 Fax 434-979-6416

PROJECT WHETZEL
MODEL LLU1250

CONTRACT
DRAWN BY D.P.BYRAM

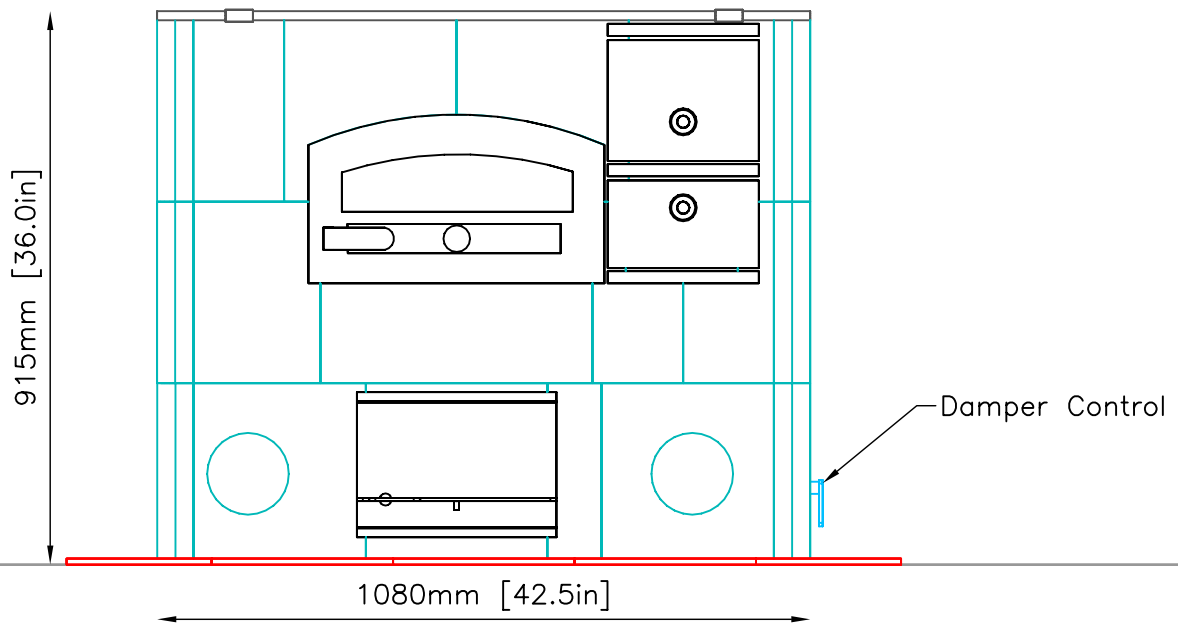
VIEW PERSPECTIVE
DATE 9/16/03

PAGE 1

FRONT VIEW

INFORMATION ONLY

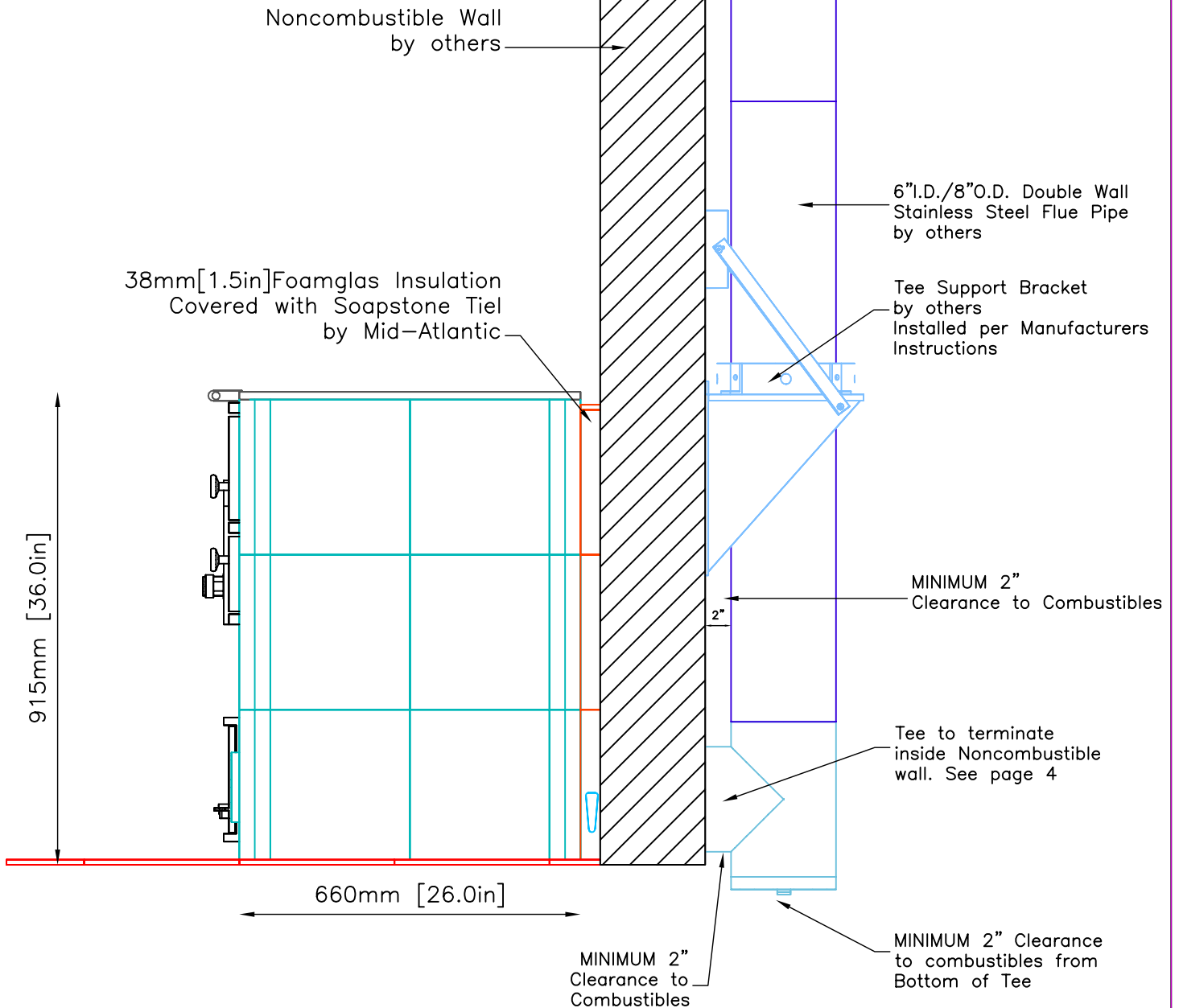
Note: Wall Behind LLU1250 MUST be Noncombustible.



SIDE VIEW

INFORMATION ONLY

Note: Wall Behind LLU1250 MUST be Noncombustible.



PLAN VIEW

MINIMUM 20" CLEARANCE TO COMBUSTIBLES FROM BACK OF BAKEOVEN.

6" I.D./8" O.D. Double Wall Stainless Steel Flue Tee by others
See page 5 for Flue Location

Tee to terminate inside Noncombustible wall.

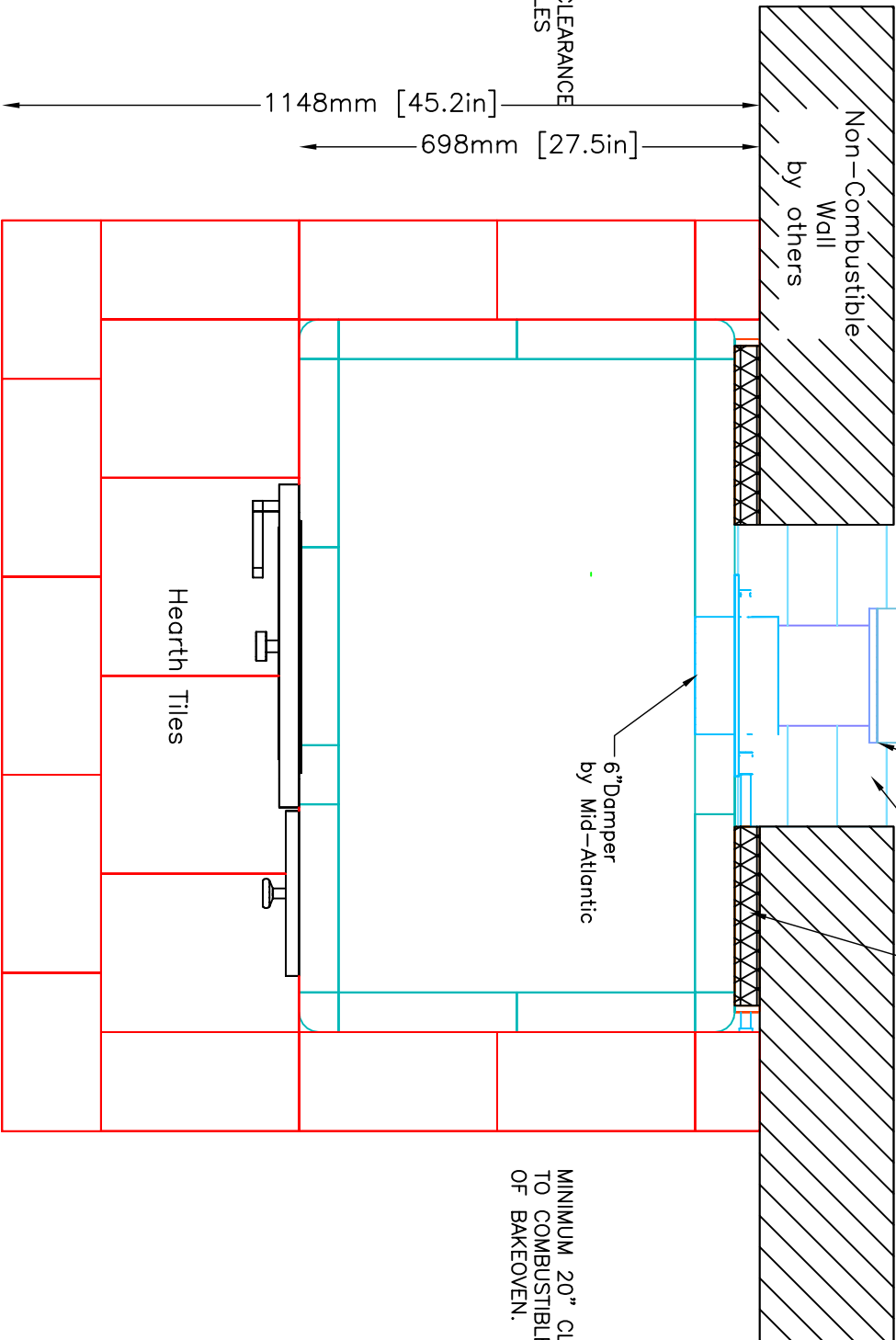
Foamglas Insulation by Mid-Atlantic

38mm [1.5in] Foamglas Insulation Covered with Soapstone Tile by Mid-Atlantic

6" Damper by Mid-Atlantic

MINIMUM 20" CLEARANCE TO COMBUSTIBLES FROM SIDES OF BAKEOVEN.

MINIMUM 20" CLEARANCE TO COMBUSTIBLES FROM SIDES OF BAKEOVEN.



1148mm [45.2in]

698mm [27.5in]

1080mm [42.5in]

1380mm [54.3in]

Hearth Tiles

NOTE: Wall Behind LLU1250 MUST be Noncombustible

Hearth Tiles CUT AND INSTALLED by others

INFORMATION ONLY



MID-ATLANTIC MASONRY HEAT
1229 Harris Street Suite 1
Charlottesville, VA 22903
(434)979-9709 Fax 434-979-6416

PROJECT WHETZEL
MODEL LLU1250

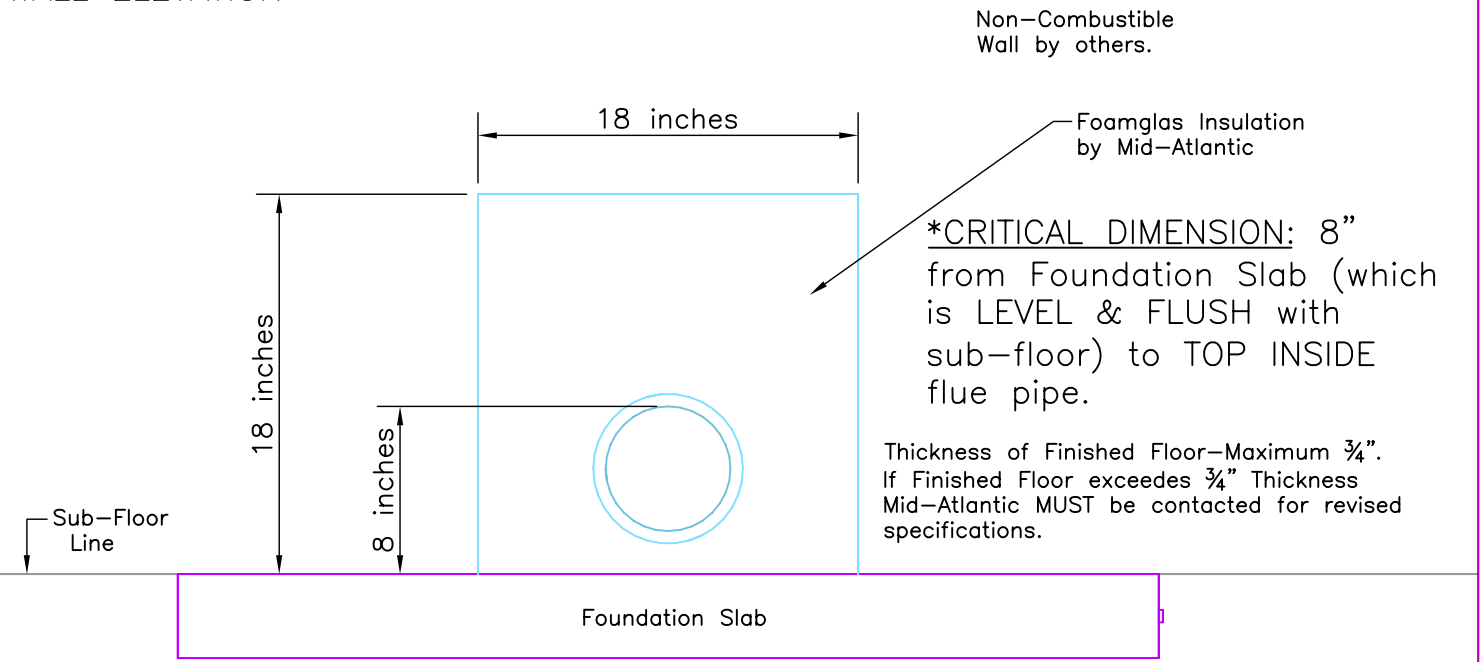
CONTRACT
DRAWN BY D.P.BYRAM

VIEW PLAN
DATE 9/16/03

PAGE

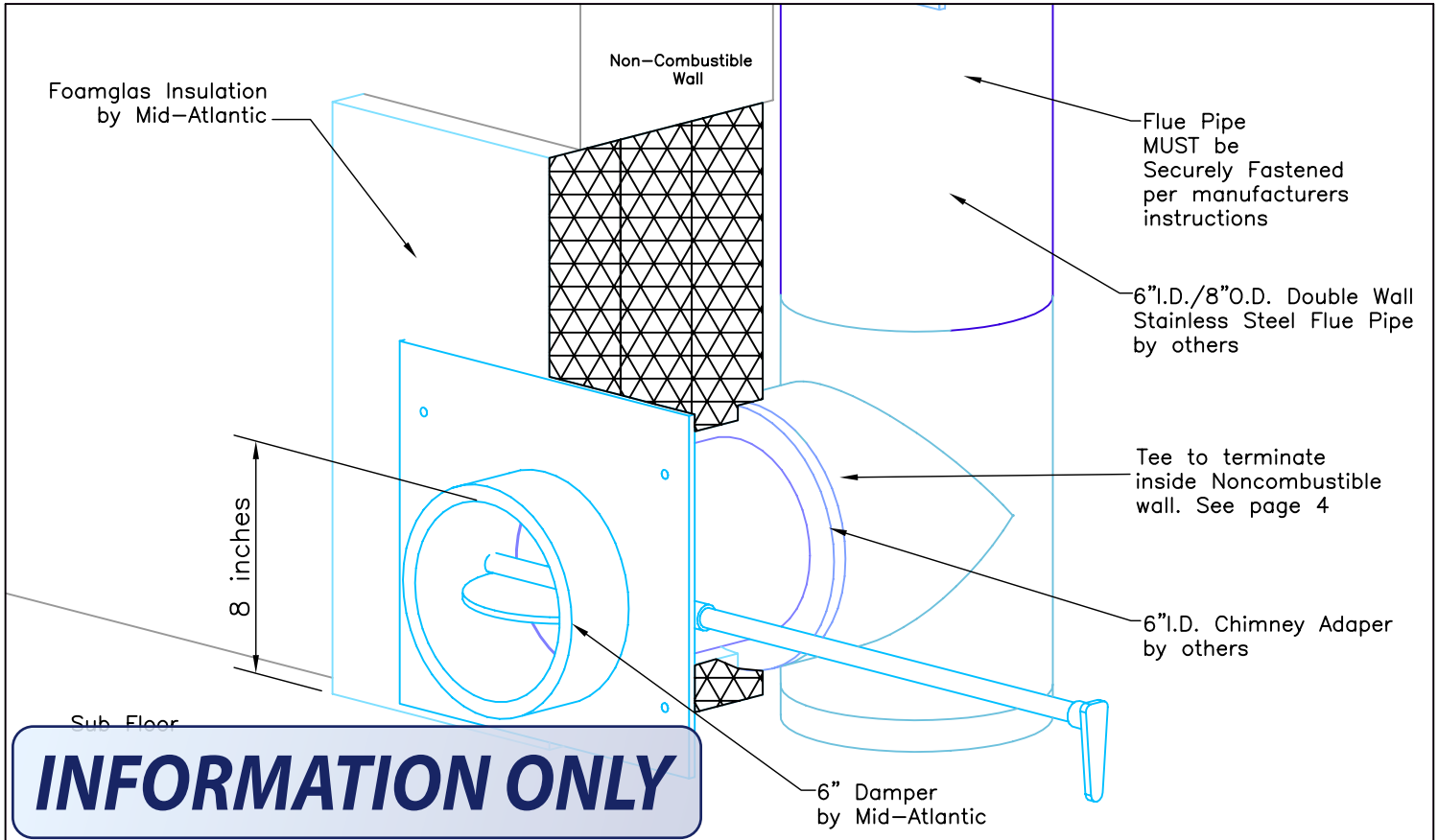
4

WALL ELEVATION



Notes:

- 18"x18" Opening MUST be in Place Prior to Installation.
- UL Listed - Minimum Foamglas Insulation 4" on sides & 6" on top of Flue Pipe.
- Chimney Placement
- *CRITICAL DIMENSION: 8" from Foundation Slab (which is LEVEL & FLUSH with sub-floor) to TOP INSIDE flue pipe.
- Chimney: 6" I.D./8" O.D. Double Wall Stainless Steel Flue Pipe by others.



INFORMATION ONLY



MID-ATLANTIC MASONRY HEAT
 1229 Harris Street Suite 1
 Charlottesville, VA 22903
 (434)979-9709 Fax 434-979-6416

PROJECT WHETZEL
 MODEL LLU1250

CONTRACT
 DRAWN BY D.P.BYRAM

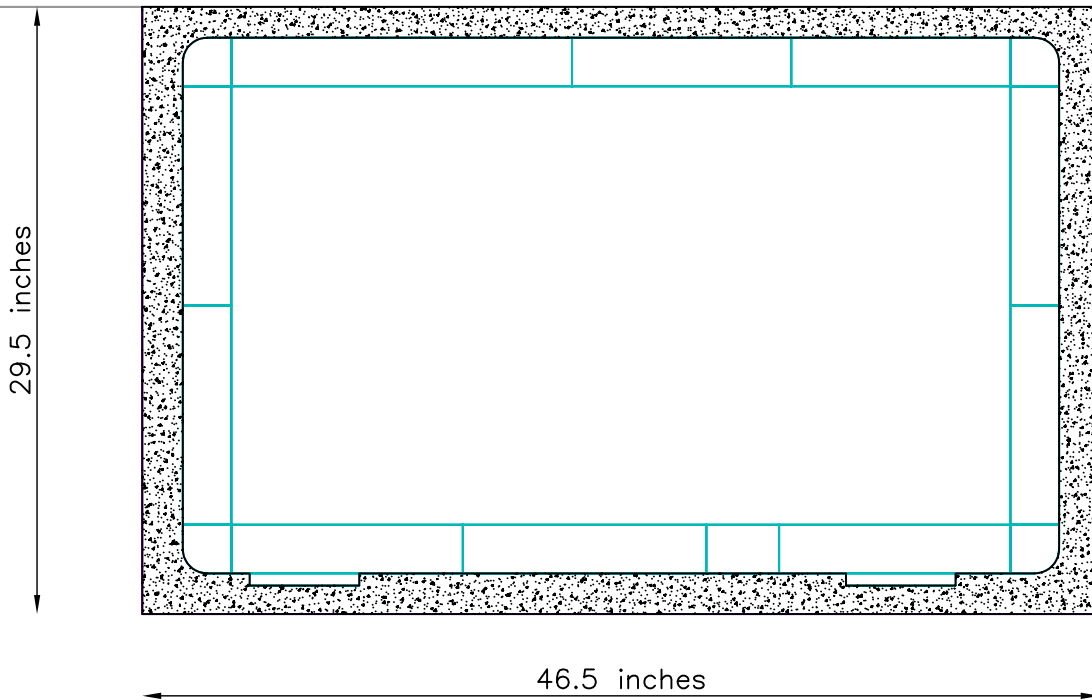
VIEW Wall Elevation
 DATE 9/16/03

PAGE 5

FOUNDATION SLAB

Minimum 4" Thick Poured Concrete With Rebar 6"O.C.
 Minimum Dimensions--2" from Base of Unit

Noncombustible Wall by others



INFORMATION ONLY

NOTE:
 TOP OF FOUNDATION SLAB TO BE LEVEL AND FLUSH WITH SUB-FLOOR
 Tolerances: +/- 1/8" No additional cost to adjust slab
 +/- 1/4" \$150.00-\$200.00 additional cost to adjust slab
 +/- 1/2" \$500.00 additional cost to adjust slab

UNIT WEIGHT: MINIMUM 3000lbs.

Contractor is responsible for engineering foundation slab to support weight of fireplace.



MID-ATLANTIC MASONRY HEAT
 1229 Harris Street Suite 1
 Charlottesville, VA 22903
 (434)979-9709 Fax 434-979-6416

PROJECT WHETZEL
 MODEL LLU1250

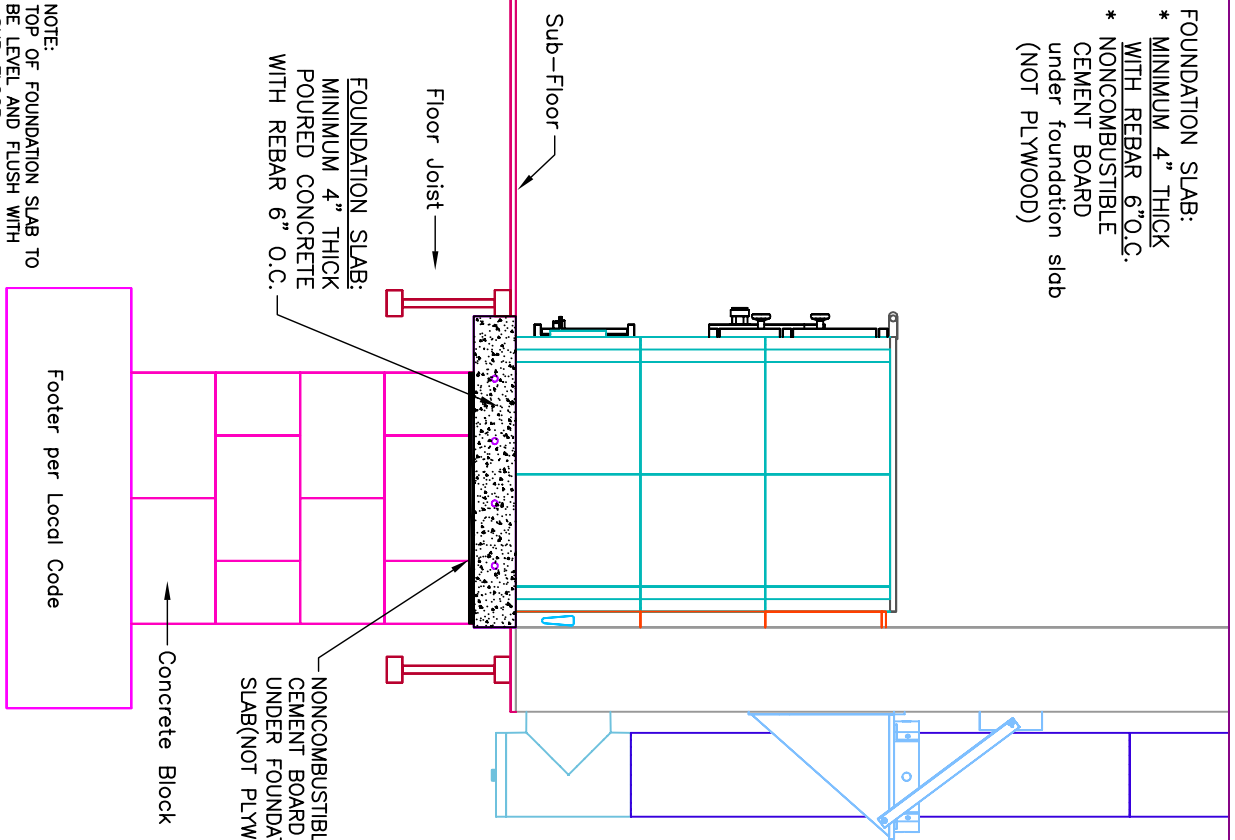
CONTRACT
 DRAWN BY D.P.BYRAM

VIEW SUPPORT
 DATE 9/16/03

PAGE

6

FOUNDATION SLAB:
 * MINIMUM 4" THICK
 WITH REBAR 6" O.C.
 * NONCOMBUSTIBLE
 CEMENT BOARD
 under foundation slab
 (NOT PLYWOOD)



FOUNDATION SLAB:
 MINIMUM 4" THICK
 Poured concrete
 with rebar 6" O.C.

NONCOMBUSTIBLE
 CEMENT BOARD
 UNDER FOUNDATION
 SLAB (NOT PLYWOOD)

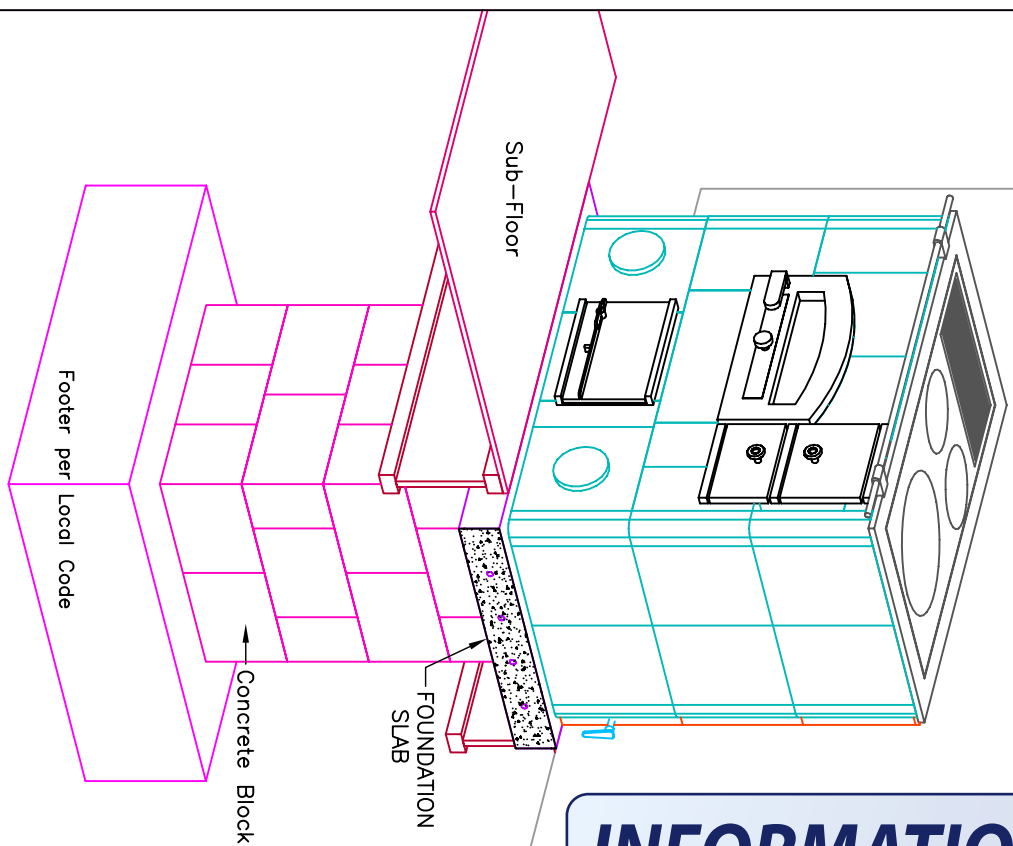
Footer per Local Code

Concrete Block

NOTE:
 TOP OF FOUNDATION SLAB TO
 BE LEVEL AND FLUSH WITH
 SUB-FLOOR

Tolerances:
 +/- 1/8" No additional cost to
 adjust slab
 +/- 1/4" \$150.00-\$200.00
 additional cost to
 adjust slab
 +/- 1/2" \$500.00 additional cost
 to adjust slab

UNIT WEIGHT: MINIMUM 3000lbs.
 Contractor is responsible for engineering foundation slab to support weight of fireplace.



INFORMATION ONLY



MID-ATLANTIC MASONRY HEAT
 McIntire Business Park
 Charlottesville, VA 22903
 (434)979-9709 Fax 434-979-6416

PROJECT WHETZEL CONTRACT
 MODEL LLU1250 DRAWN BY D.P.BYRAM

VIEW Foundation Slab
 DATE 9/16/03

PAGE 7