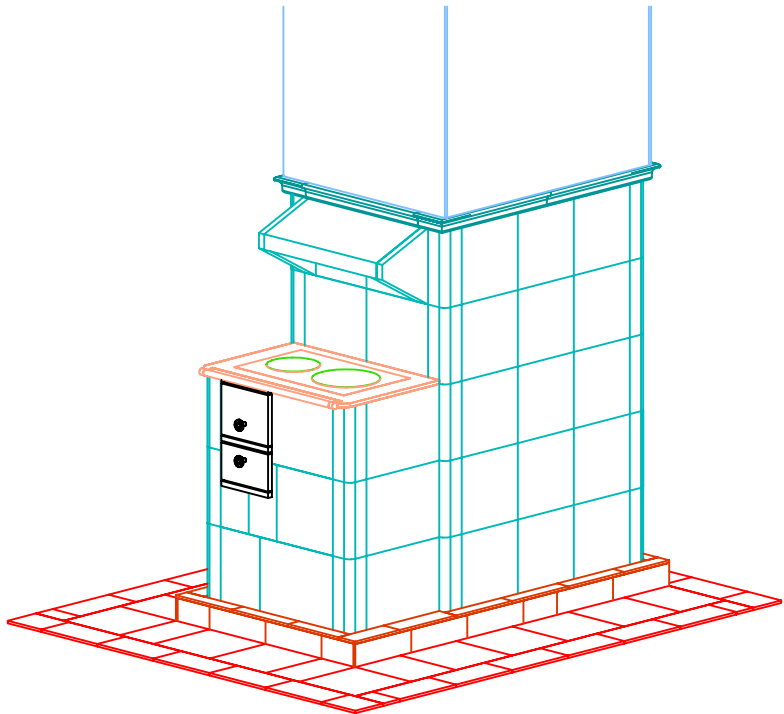
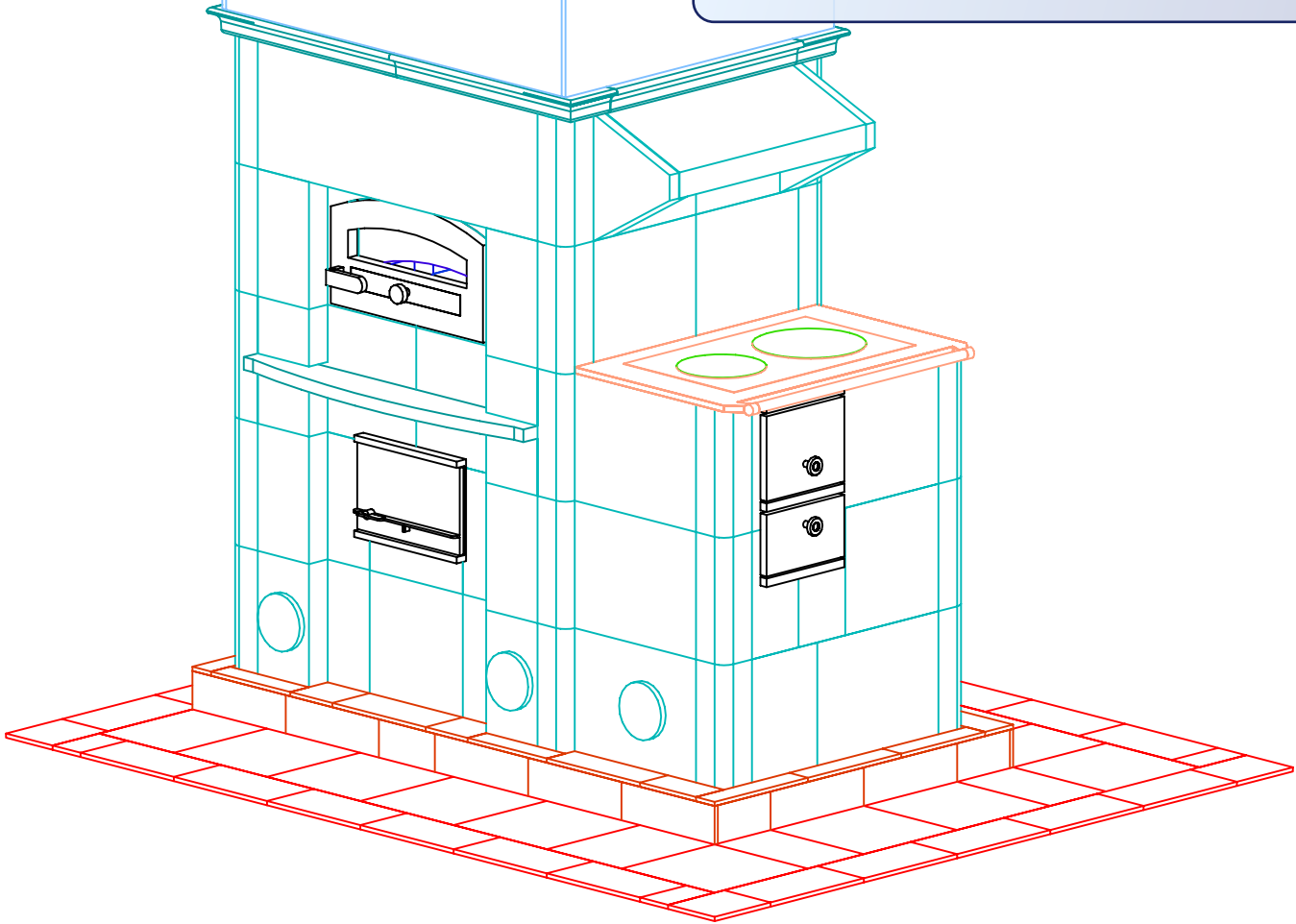


INFORMATION ONLY



NOTE: Hearth Tiles CUT AND INSTALLED by others



MID-ATLANTIC MASONRY HEAT
 1229 Harris Street Suite 1
 Charlottesville, VA 22903
 (434)979-9709 Fax 434-979-6416

PROJECT VanBeuren
 MODEL LU3200

CONTRACT
 DRAWN BY D.P.BYRAM

VIEW PERSPECTIVE
 DATE 10/15/03

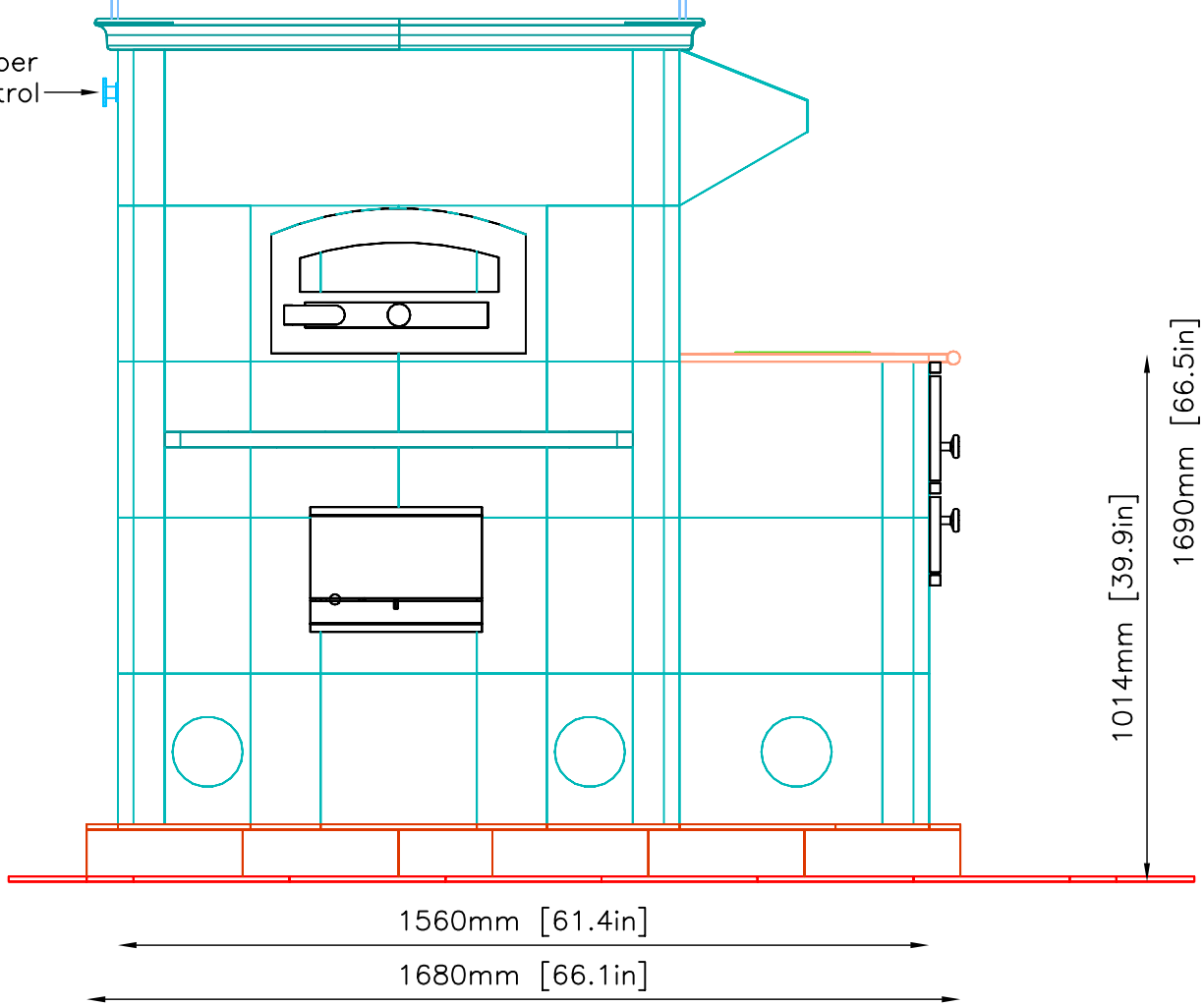
PAGE 1

FRONT VIEW

INFORMATION ONLY

Chimney Chase
by others.
NO Combustible Materials
WITHIN 10" of TOP of Fireplace.
Use Metal Studs and Cement Board

Damper Control



NOTE: Hearth Tiles CUT AND INSTALLED by others



MID-ATLANTIC MASONRY HEAT
1229 Harris Street Suite 1
Charlottesville, VA 22903
(434)979-9709 Fax 434-979-6416

PROJECT VanBeuren
MODEL LU3200

CONTRACT
DRAWN BY D.P.BYRAM

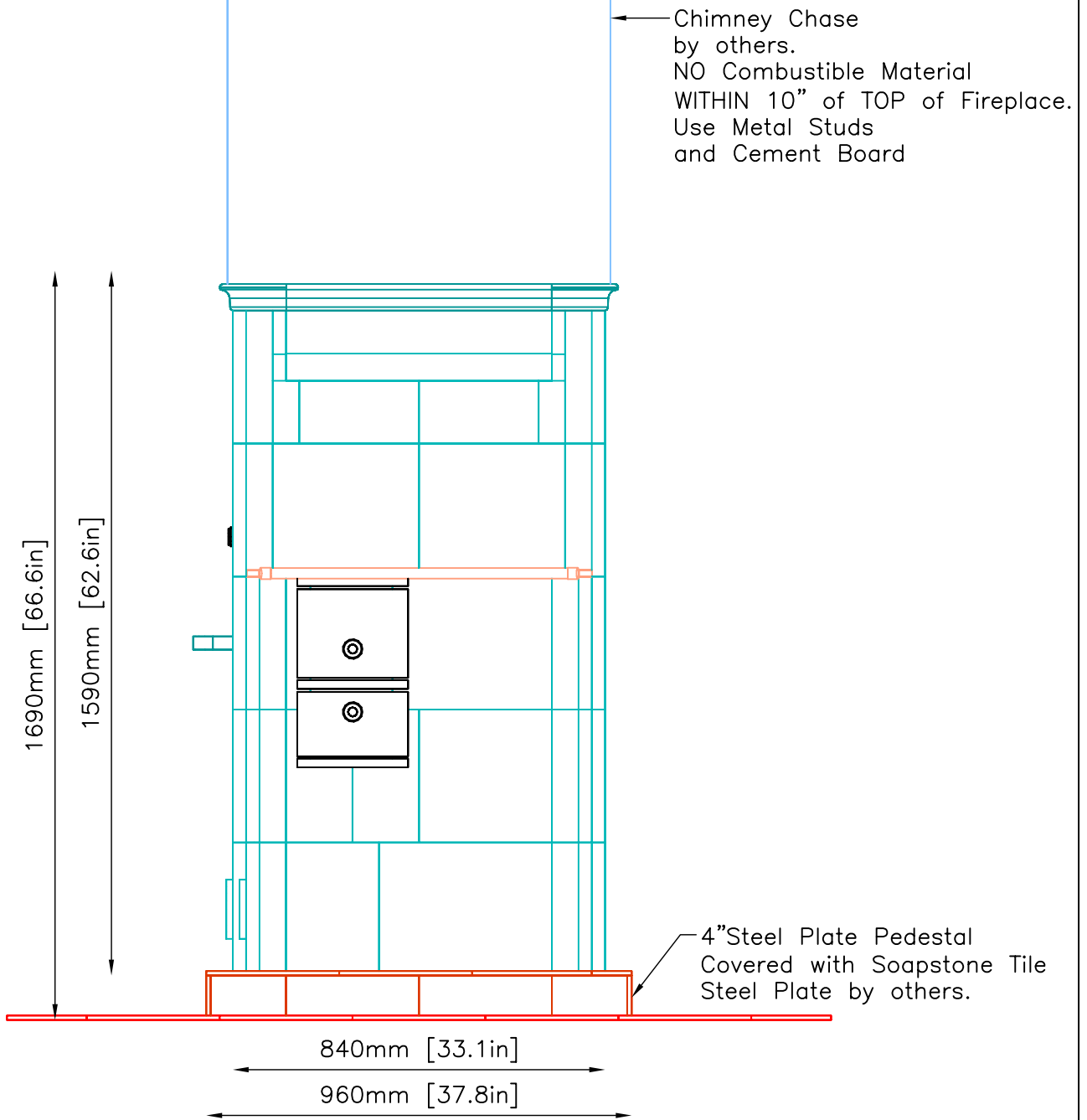
VIEW FRONT
DATE 10/15/03

PAGE

2

SIDE VIEW

INFORMATION ONLY



NOTE: Hearth Tiles CUT AND INSTALLED by others



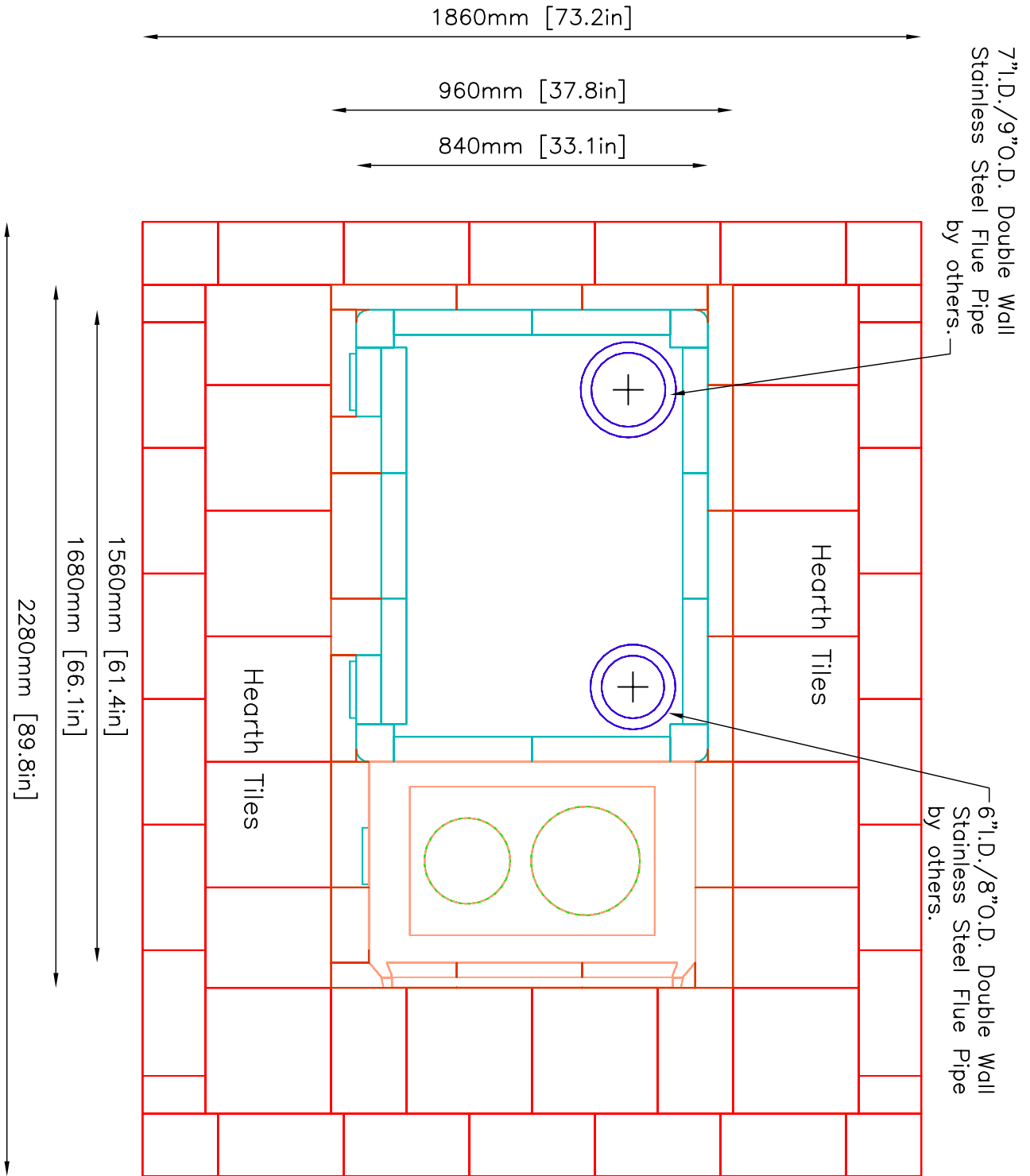
MID-ATLANTIC MASONRY HEAT
 1229 Harris Street Suite 1
 Charlottesville, VA 22903
 (434)979-9709 Fax 434-979-6416

PROJECT VanBeuren
 MODEL LU3200

CONTRACT
 DRAWN BY D.P.BYRAM

VIEW SIDE
 DATE 10/15/03

PAGE 3



NOTE: Hearth Tiles CUT AND INSTALLED by others

INFORMATION ONLY



MID-ATLANTIC MASONRY HEAT
 1229 Harris Street Suite 1
 Charlottesville, VA 22903
 (434)979-9709 Fax 434-979-6416

PROJECT VanBeuren
 MODEL LU3200

CONTRACT
 DRAWN BY D.P.BYRAM

VIEW PLAN
 DATE 10/15/03

PAGE 4