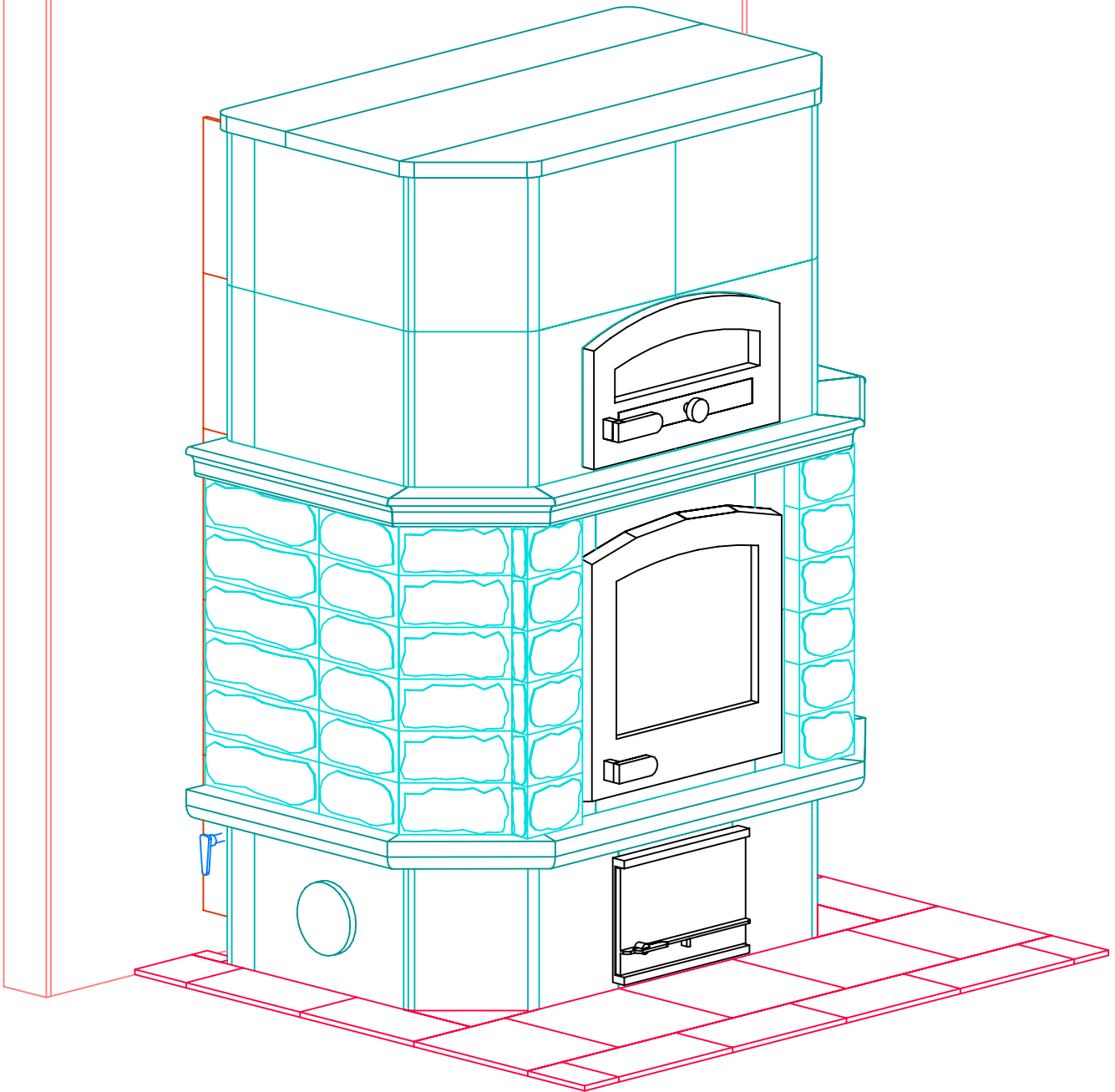


INFORMATION ONLY



NOTE: Hearth Tiles CUT AND INSTALLED by others



MID-ATLANTIC MASONRY HEAT
1229 Harris Street Suite 1
Charlottesville, VA 22903
(434)979-9709 Fax 434-979-6416

PROJECT JOHNSON
MODEL TLU2245L

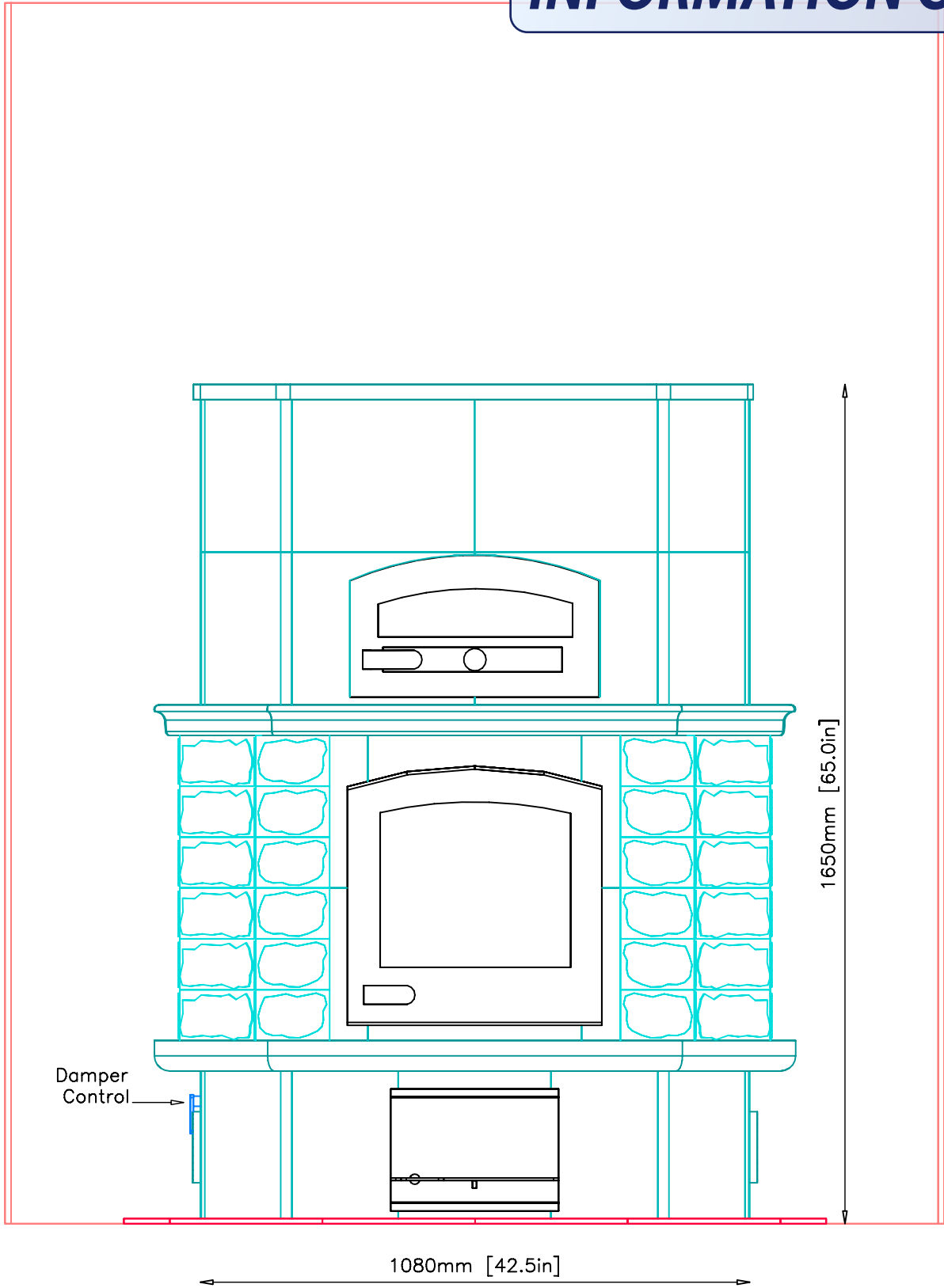
CONTRACT
DRAWN BY D.P.BYRAM

VIEW PERSPECTIVE
DATE 4/9/03

PAGE 1

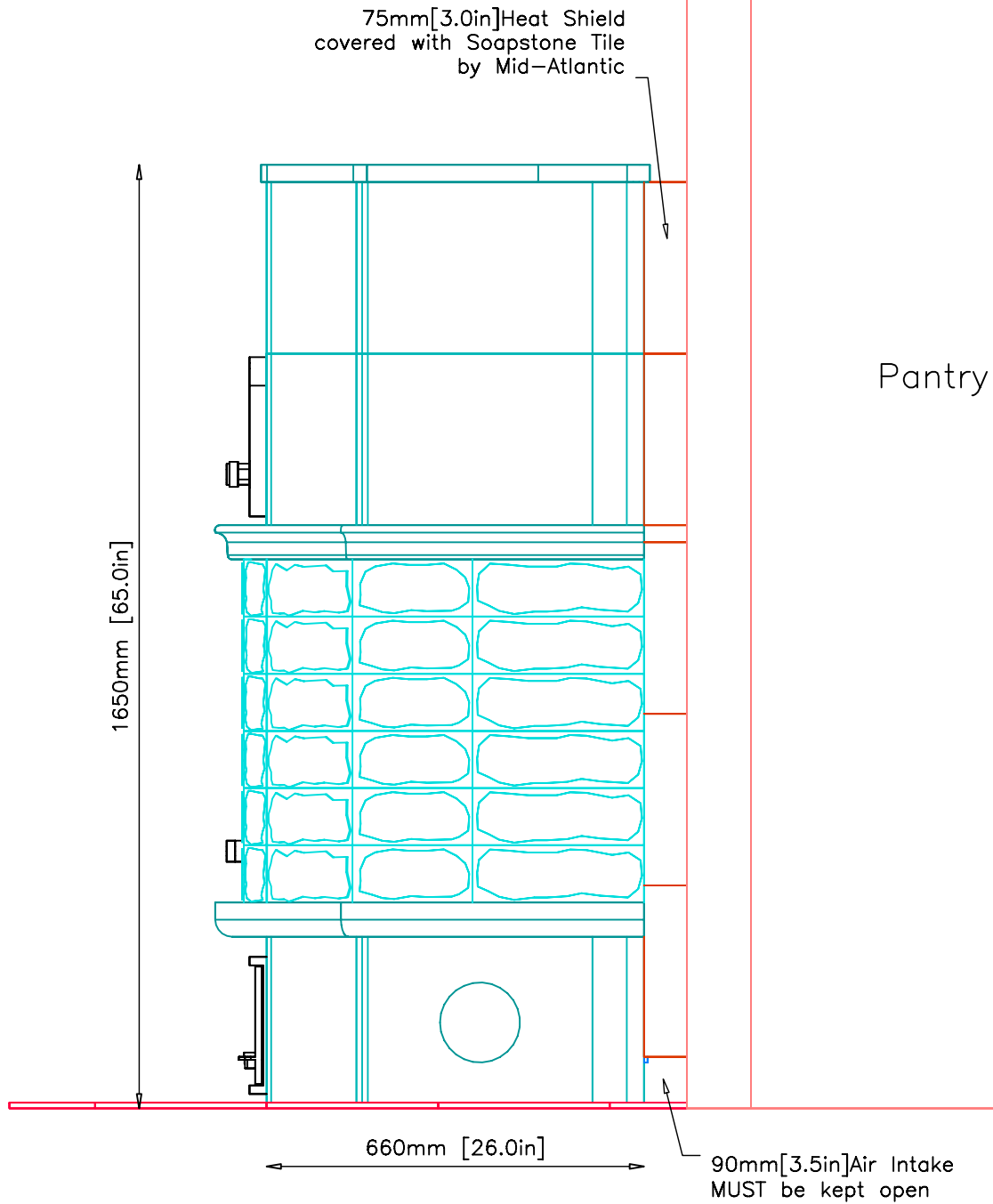
FRONT VIEW

INFORMATION ONLY



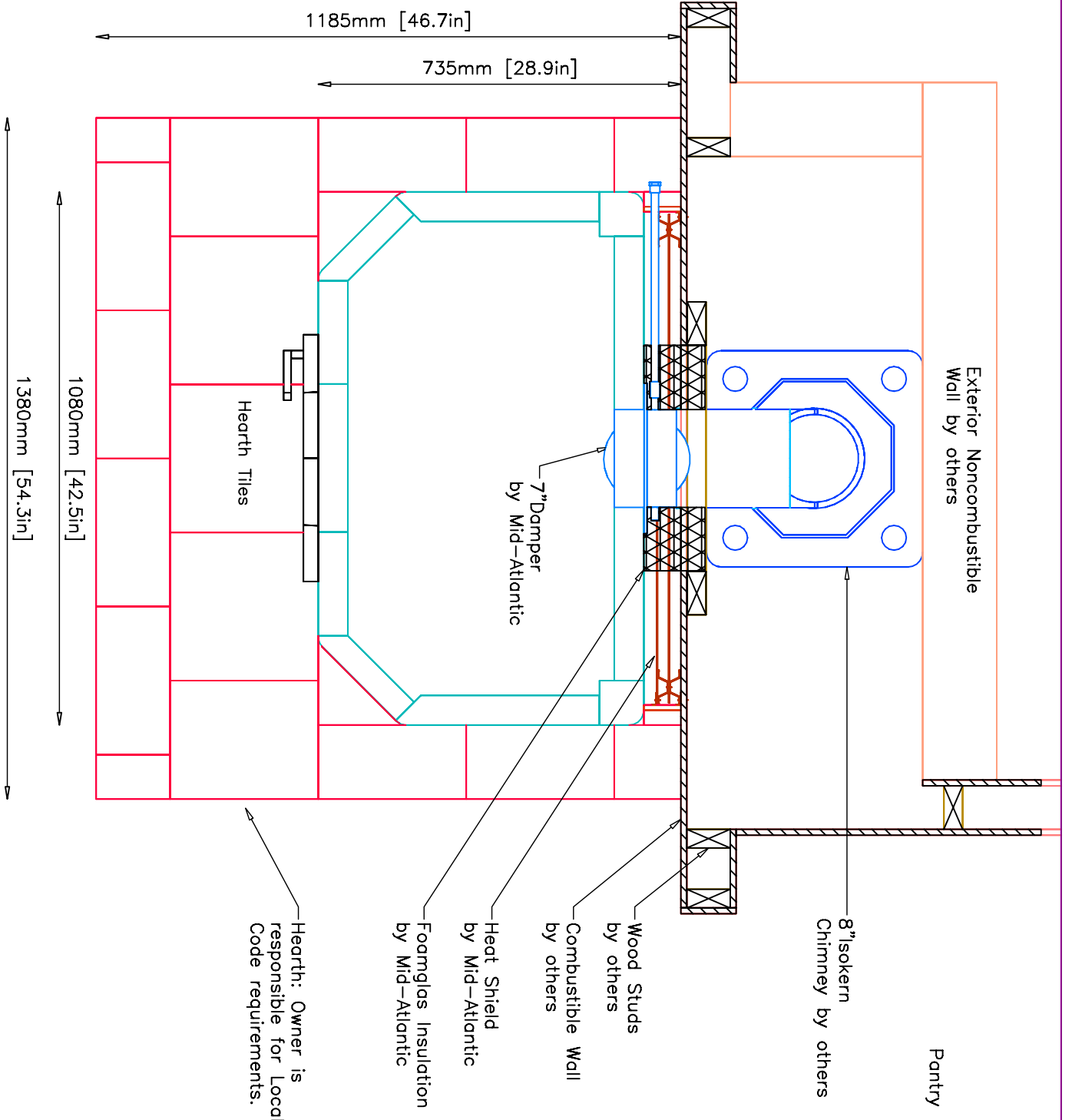
SIDE VIEW

INFORMATION ONLY



INFORMATION ONLY

PLAN VIEW

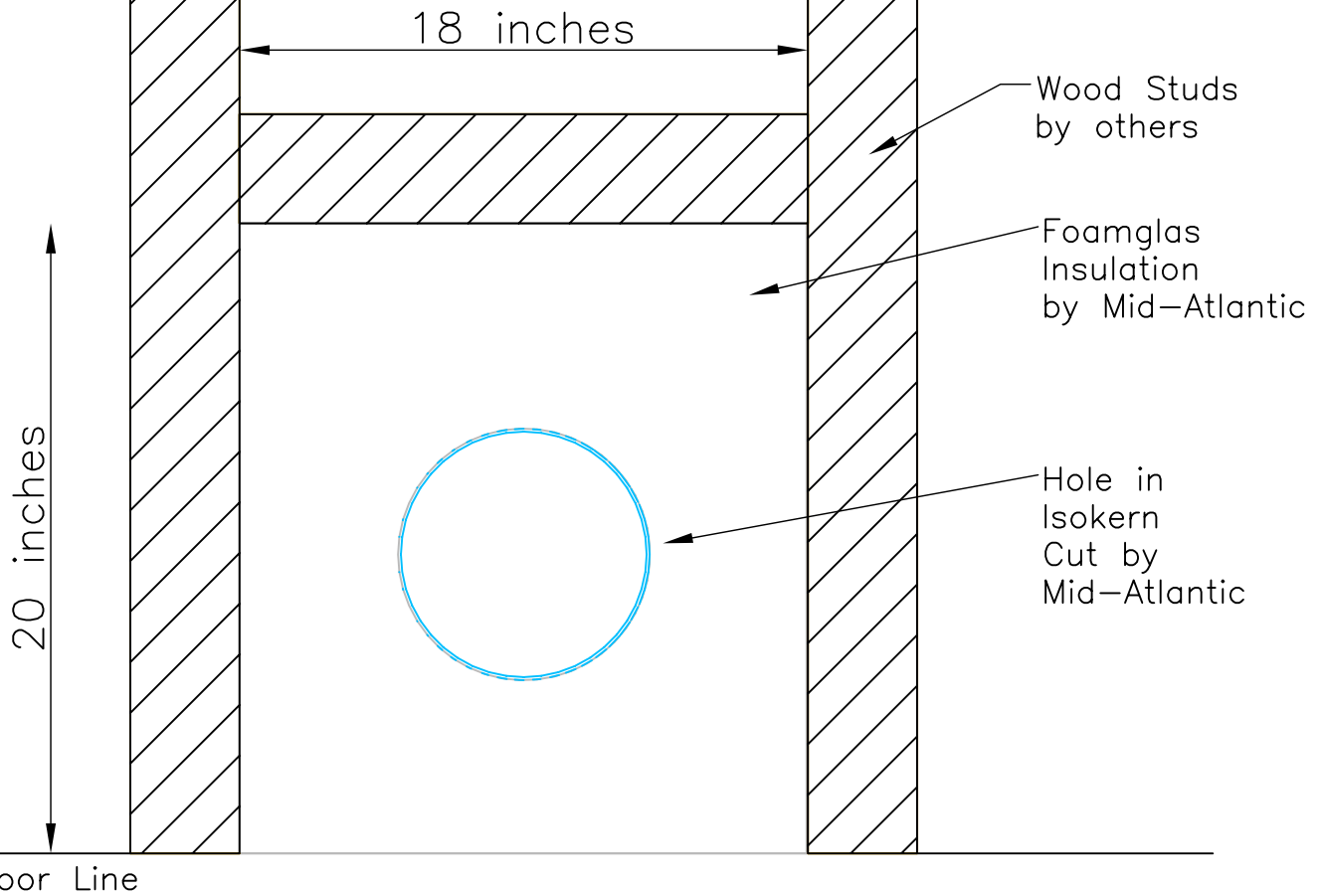


NOTE: Hearth Tiles CUT AND INSTALLED by others

	MID-ATLANTIC MASONRY HEAT 1229 Harris Street Suite 1 Charlottesville, VA 22903 (434)979-9709 Fax 434-979-6416	PROJECT	JOHNSON	CONTRACT	VIEW	PLAN	PAGE 4
		MODEL	TLU2245L	DRAWN BY	D.P. BYRAM	DATE	

INFORMATION ONLY

Wall
Elevation



***CRITICAL:**

Center 18"x 20" Opening
on Isokern Flue. See page 4.

Wall Opening:

Sheetrock around 18"x20" Opening Must be in place prior to installation
UL Listed-MINIMUM 4" Foamglas Insulation around Flue Pipe

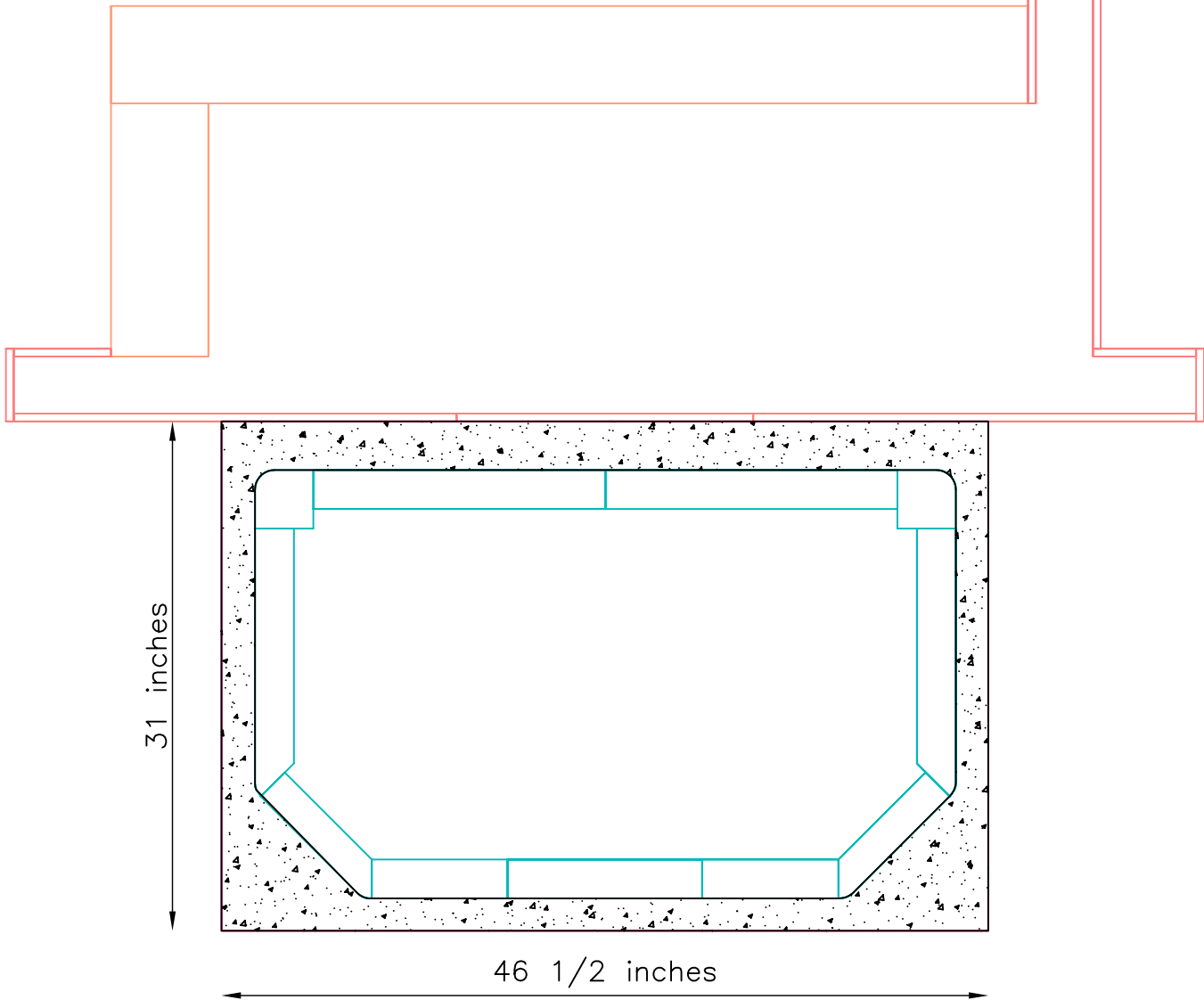
Chimney Placement:

*CRITICAL: CENTER 18"x20" Opening on Isokern Flue.
See page 4.

Chimney-8" Isokern Chimney by others.

CAPPING SLAB

Minimum Dimensions--2" from Base of Unit



NOTE:

TOP OF CAPPING SLAB TO BE LEVEL
AND FLUSH WITH SUB-FLOOR

Tolerances:

- +/- 1/8" No additional cost to adjust slab
- +/- 1/4" \$150.00-\$200.00 additional cost to adjust slab
- +/- 1/2" \$500.00 additional cost to adjust slab

INFORMATION ONLY

UNIT WEIGHT: MINIMUM 6000lbs.

Contractor is responsible for engineering capping slab to support weight of fireplace.



MID-ATLANTIC MASONRY HEAT
1229 Harris Street Suite 1
Charlottesville, VA 22903
(434)979-9709 Fax 434-979-6416

PROJECT JOHNSON
MODEL TLU2245L

CONTRACT
DRAWN BY D.P.BYRAM

VIEW SUPPORT
DATE 4/9/03

PAGE

6