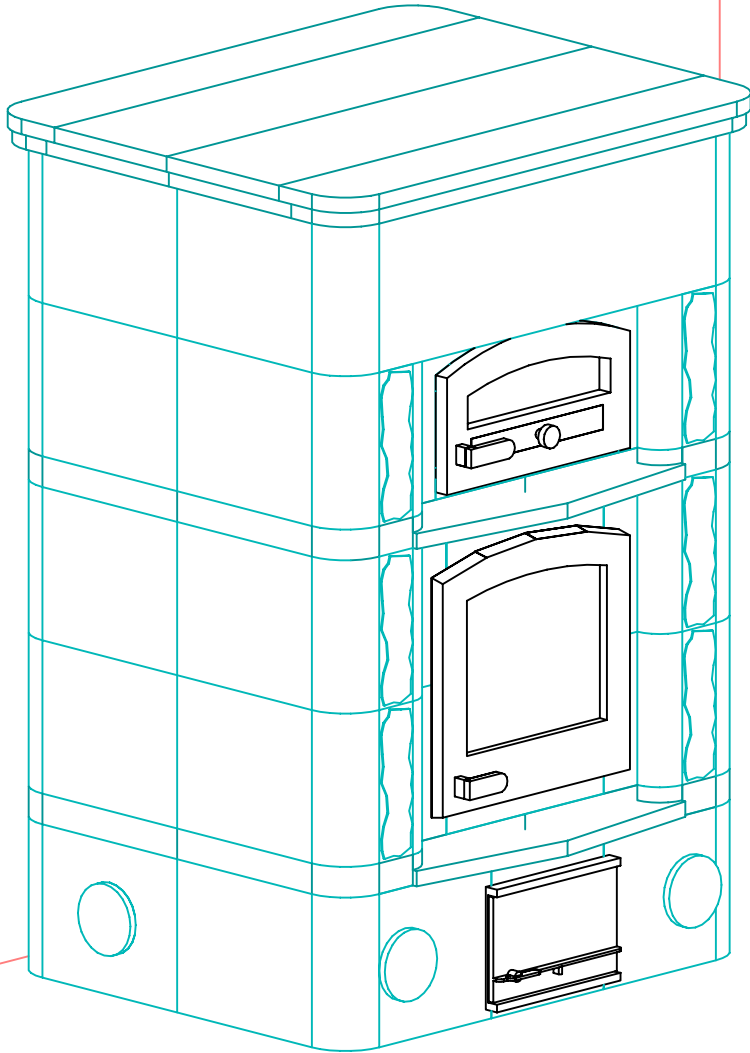


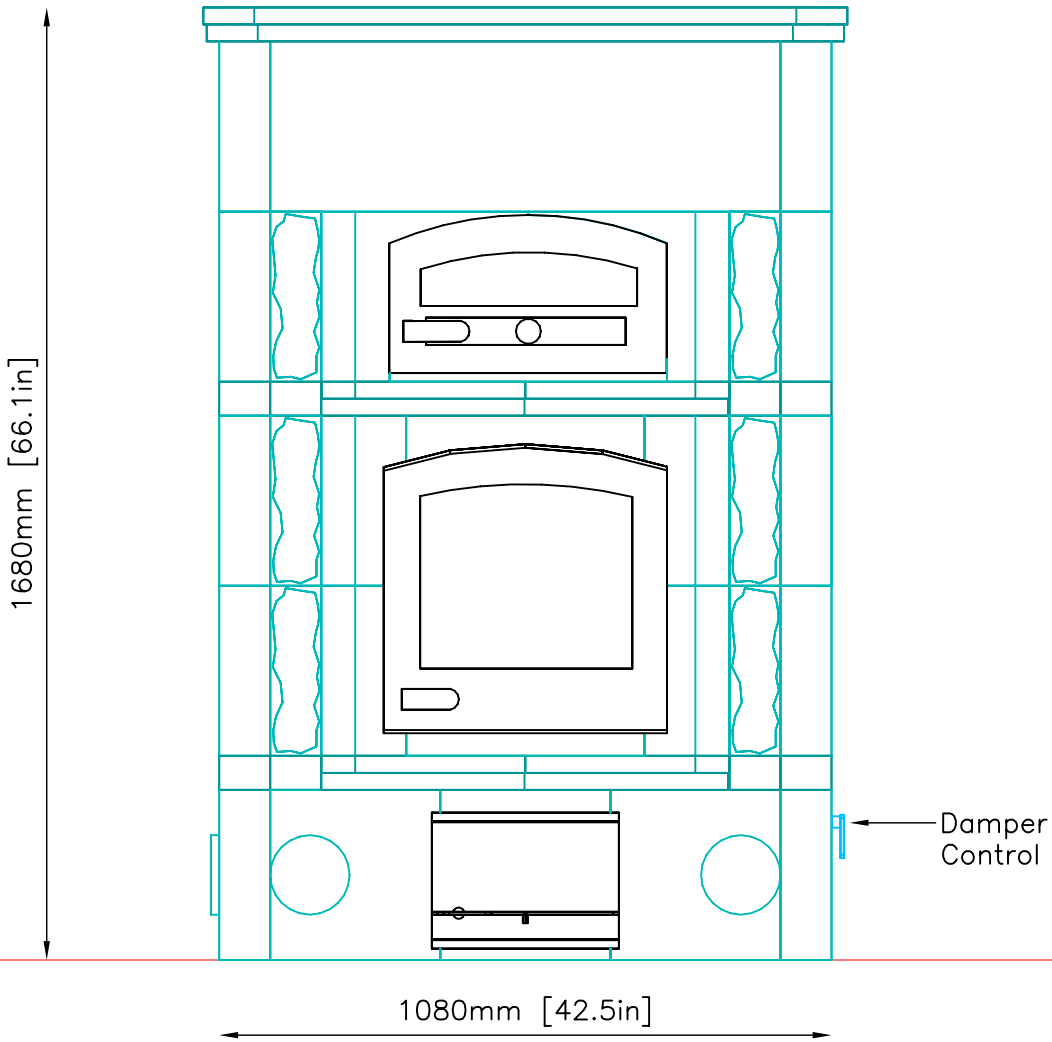
INFORMATION ONLY



FRONT VIEW

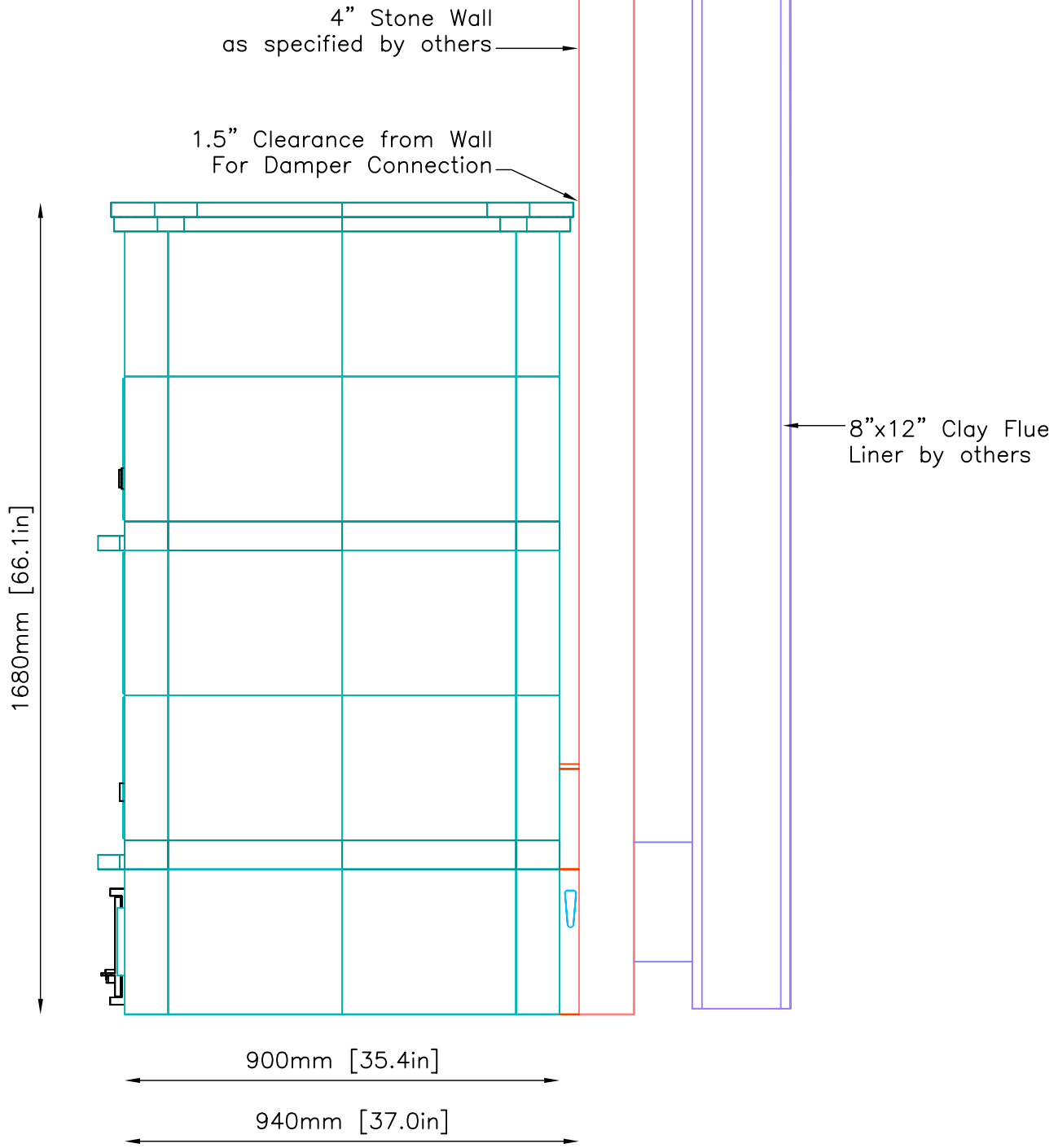
INFORMATION ONLY

Stone Wall
by others



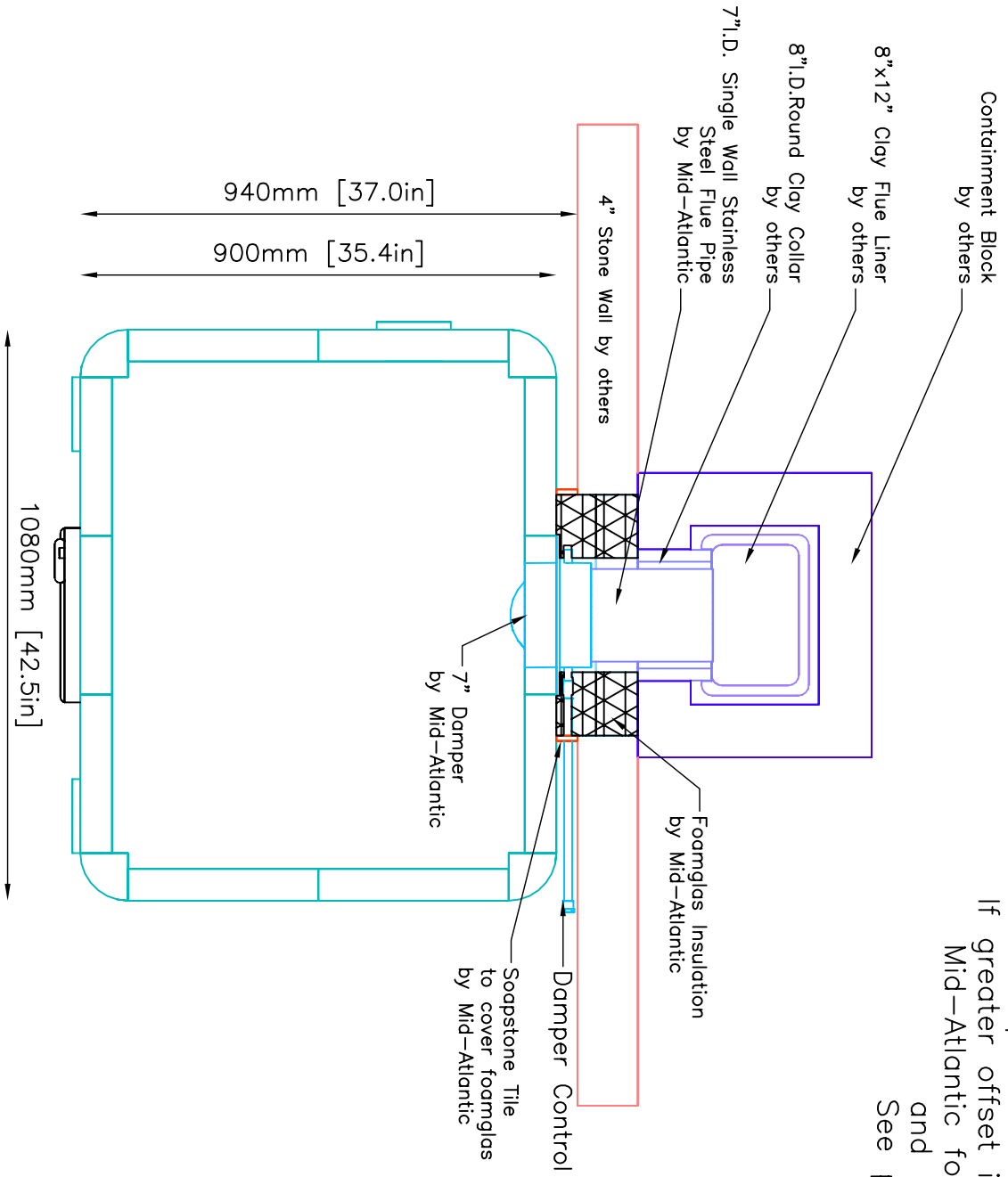
SIDE VIEW

INFORMATION ONLY



INFORMATION ONLY

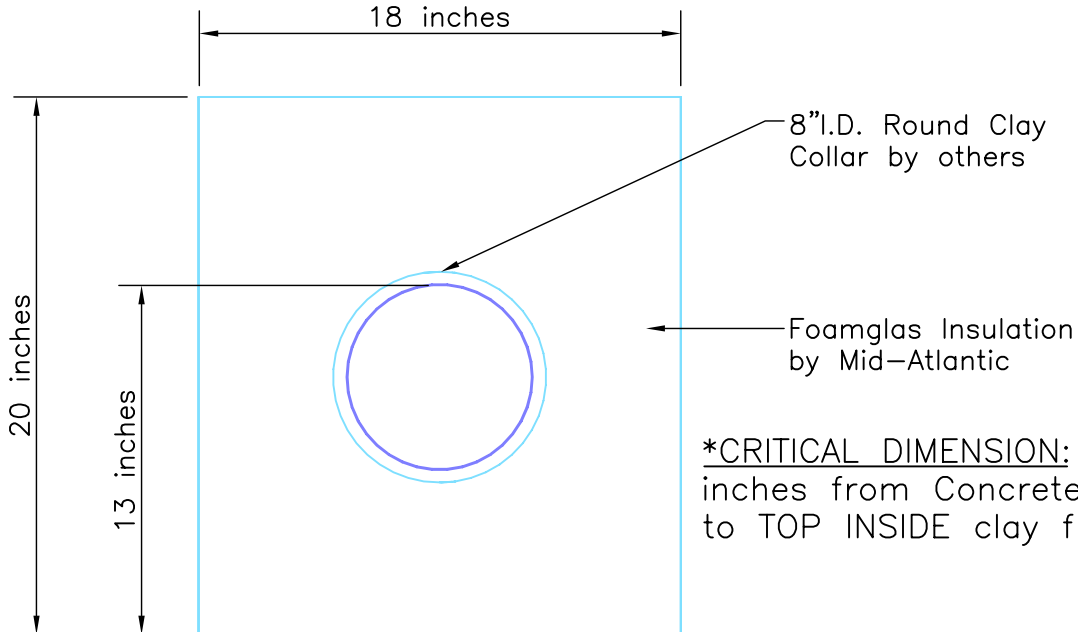
PLAN VIEW



Flue Location may be offset up to 4 inches right or left. If greater offset is needed, contact Mid-Atlantic for revised drawings and installation pricing. See page 7 for Details.

INFORMATION ONLY

Flue Location may be offset up to 4 inches right or left of center of fireplace.
 If greater offset is needed, contact Mid-Atlantic for revised drawings and installation pricing.
 SEE PAGE 4



***CRITICAL DIMENSION:** 13 inches from Concrete Floor to TOP INSIDE clay flue liner.

Concrete Floor by others

Thickness of Finished Floor—Maximum $\frac{3}{4}$ ".
 If Finished Floor exceeds $\frac{3}{4}$ " Thickness Mid-Atlantic MUST be contacted for revised specifications.

Notes:

- 18"X20" Opening MUST be in place PRIOR to Installation.
- UL Listed – Minimum Foamglas Insulation 4" on sides & 6" on top of Flue Pipe.

Chimney Placement

*CRITICAL DIMENSION: 13 inches from Concrete Floor to TOP INSIDE clay flue liner.

