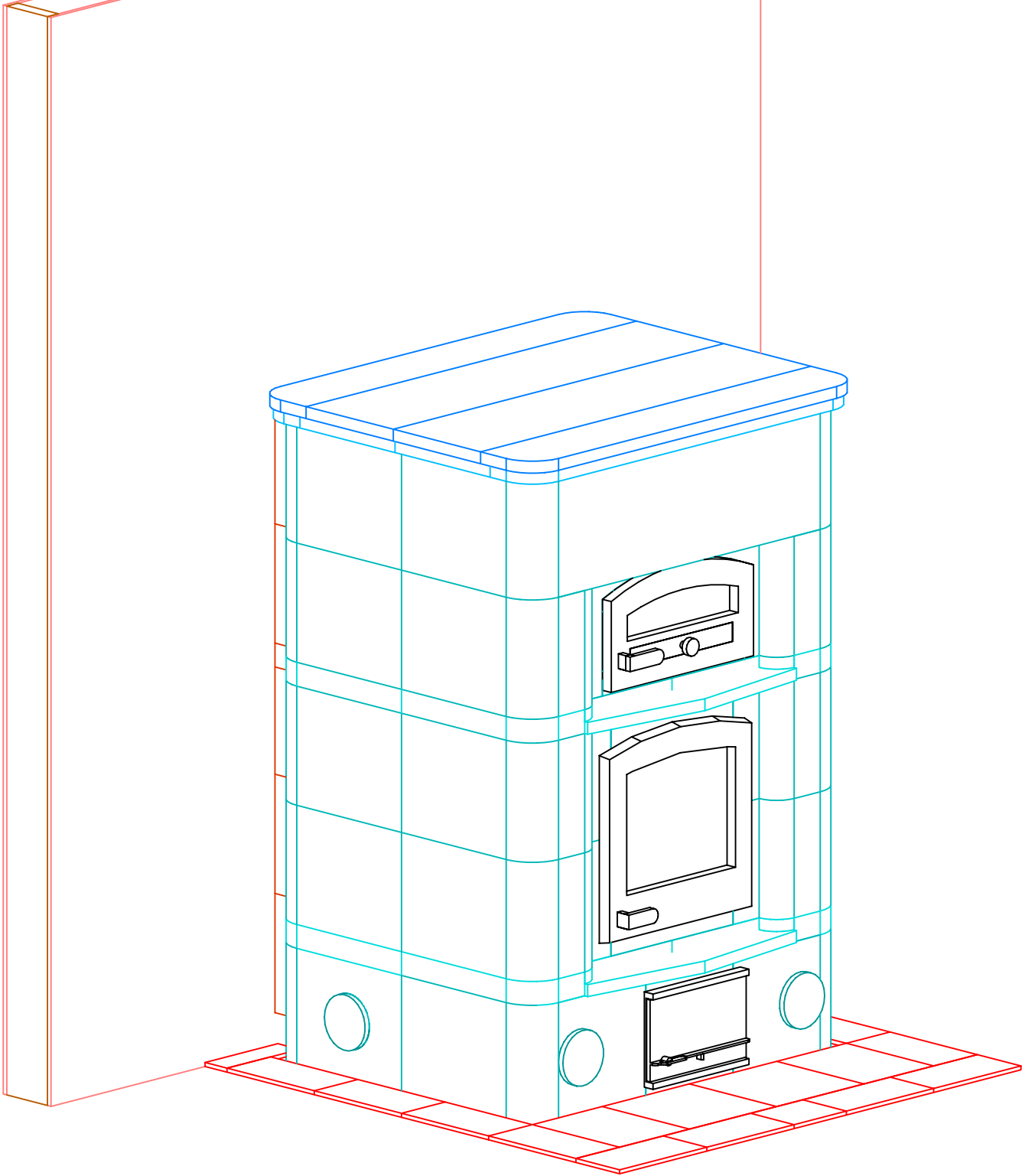


INFORMATION ONLY



NOTE: Hearth Tiles CUT AND INSTALLED by others



MID-ATLANTIC MASONRY HEAT
1229 Harris Street Suite 1
Charlottesville, VA 22903
(434)979-9709 Fax 434-979-6416

PROJECT WAGNER
MODEL TLU2450

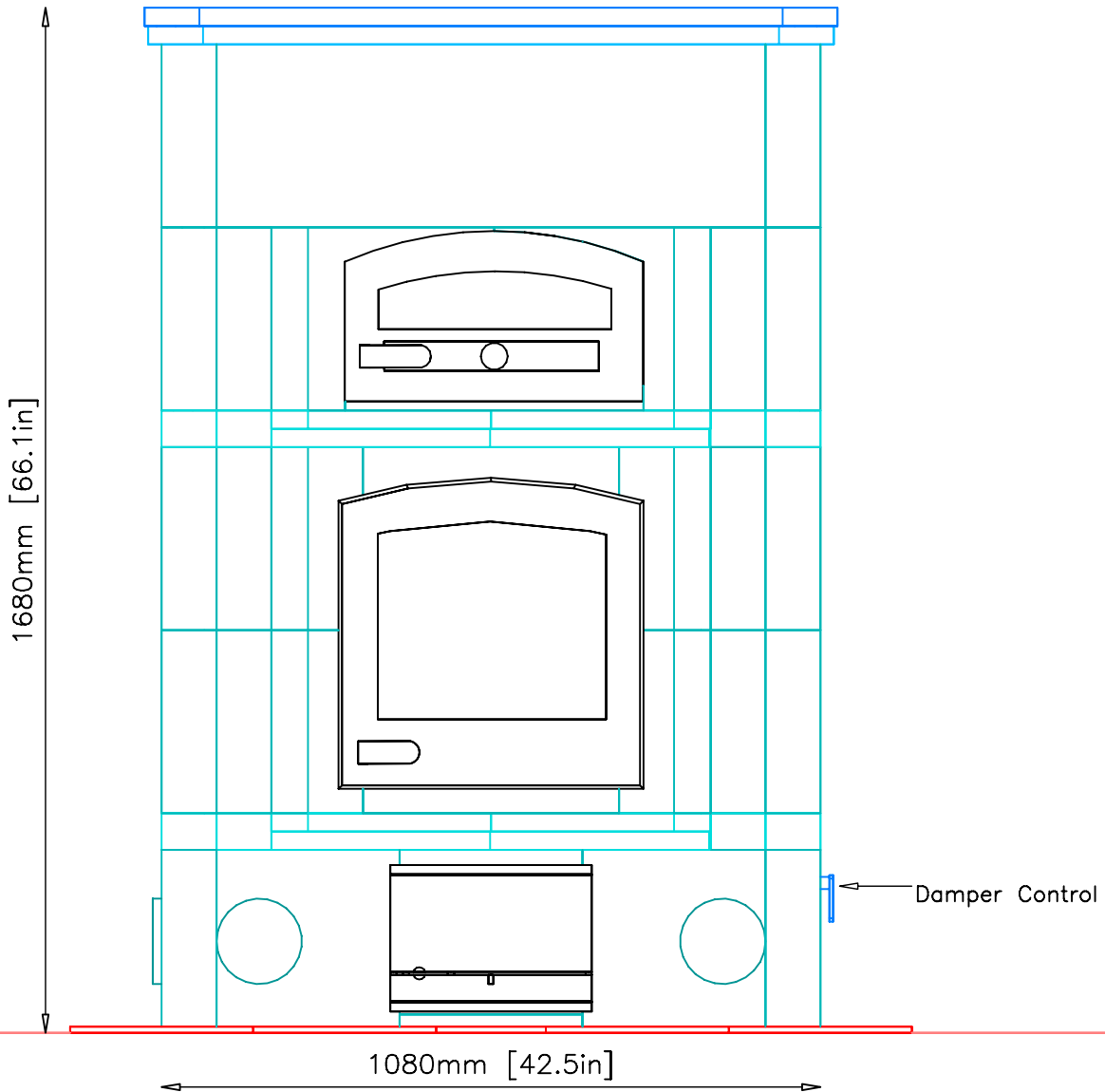
CONTRACT
DRAWN BY D.P.BYRAM

VIEW PERSPECTIVE
DATE 4/10/03

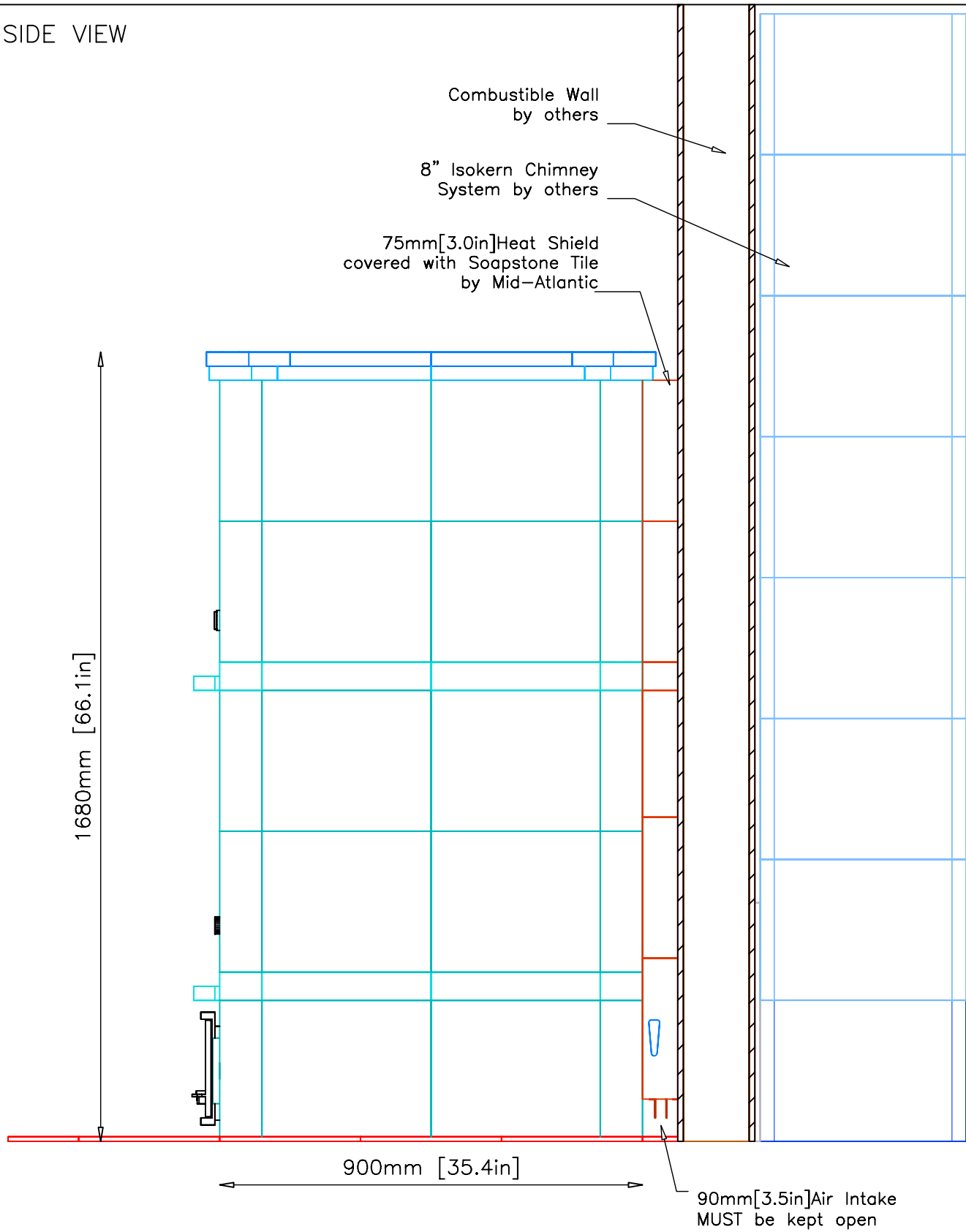
PAGE 1

FRONT VIEW

INFORMATION ONLY



SIDE VIEW



INFORMATION ONLY



MID-ATLANTIC MASONRY HEAT
 1229 Harris Street Suite 1
 Charlottesville, VA 22903
 (434)979-9709 Fax 434-979-6416

PROJECT WAGNER
 MODEL TLU2450

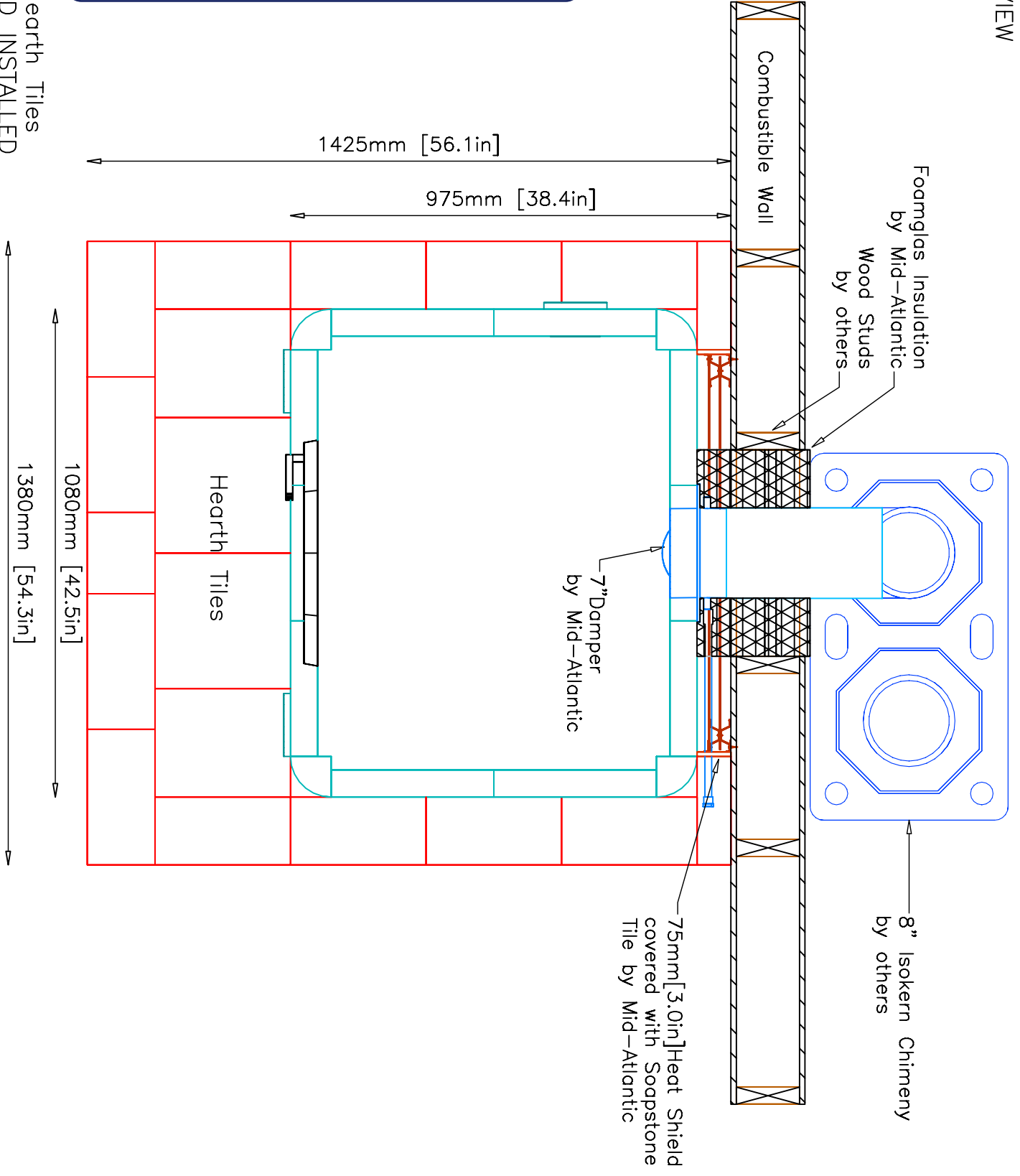
CONTRACT
 DRAWN BY D.P.BYRAM

VIEW SIDE
 DATE 4/10/03

PAGE 3

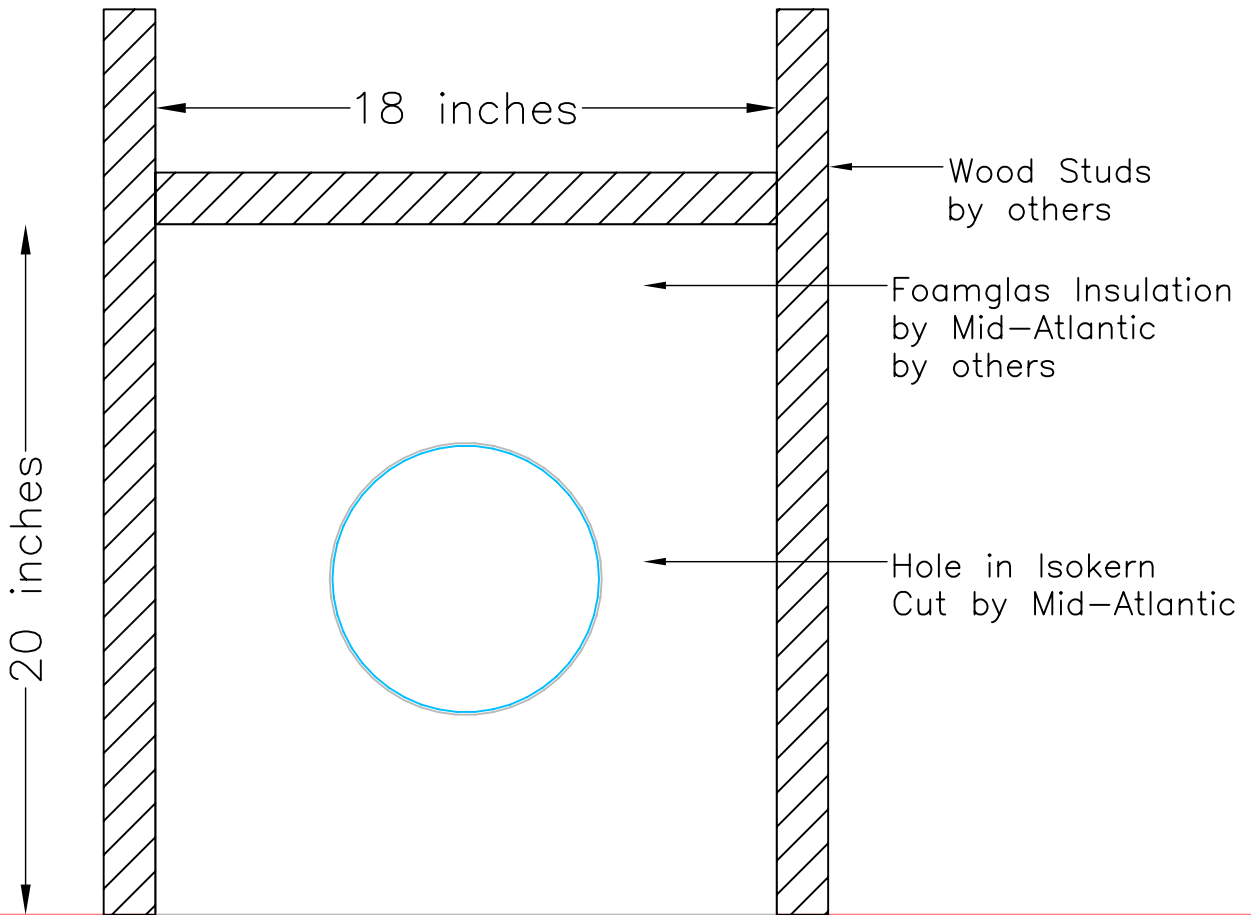
INFORMATION ONLY

Note: Hearth Tiles CUT AND INSTALLED by others.



WALL ELEVATION

INFORMATION ONLY



Sub-Floor Line

*CRITICAL:

Center 18"x 20" Opening
on Correct Isokern Flue.
See page 4.

Wall Opening:

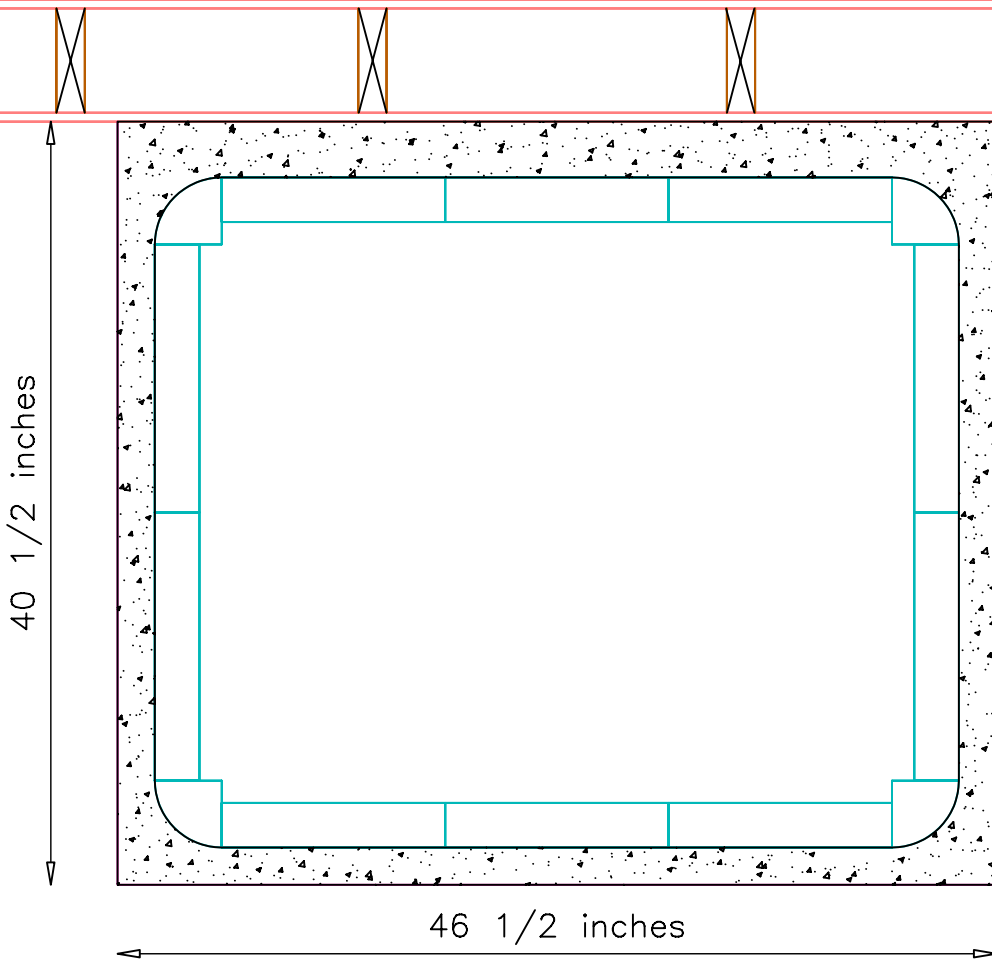
Sheetrock around 18"x20" Opening Must be in place prior to installation
UL Listed-MINIMUM 4" Foamglas Insulation around Flue Pipe

Chimney Placement:

*CRITICAL: CENTER 18"x20" Opening on Correct Isokern Flue.
See page 4.
Chimney-8" Isokern Chimney by others.

CAPPING SLAB

Minimum Dimensions--2" from Base of Unit



NOTE:
 TOP OF CAPPING SLAB TO BE LEVEL
 AND FLUSH WITH SUB-FLOOR
 Tolerances:
 +/- 1/8" No addition cost to adjust slab
 +/- 1/4" \$150.00-\$200.00 additional cost to adjust slab
 +/- 1/2" \$500.00 additional cost to adjust slab

INFORMATION ONLY

UNIT WEIGHT: MINIMUM 6000lbs.
 Contractor is responsible for engineering capping slab to support weight of fireplace.



MID-ATLANTIC MASONRY HEAT
 1229 Harris Street Suite 1
 Charlottesville, VA 22903
 (434)979-9709 Fax 434-979-6416

PROJECT WAGNER
 MODEL TLU2450

CONTRACT
 DRAWN BY D.P.BYRAM

VIEW SUPPORT
 DATE 4/10/03

PAGE 6