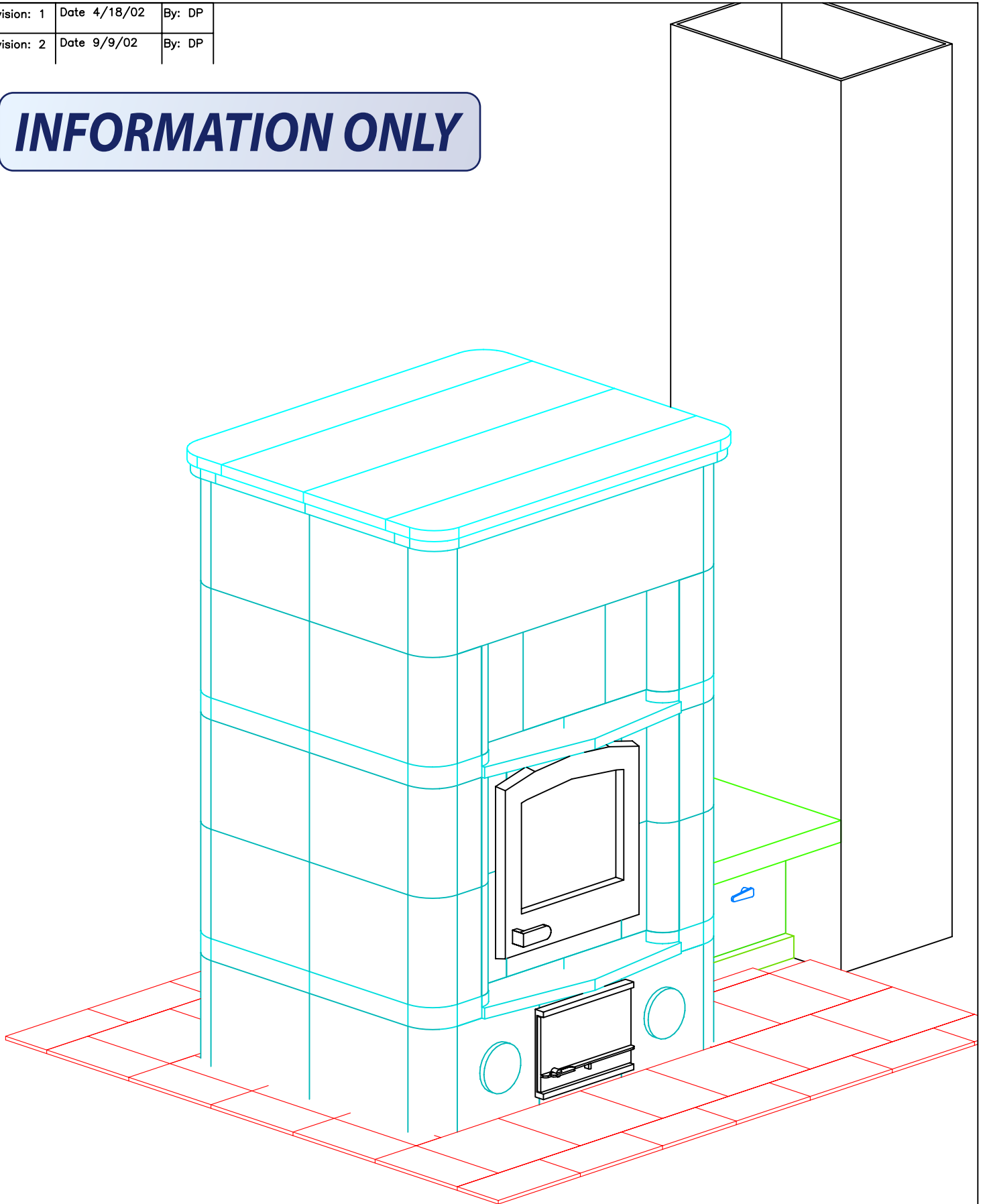


Revision: 1	Date 4/18/02	By: DP
Revision: 2	Date 9/9/02	By: DP

**INFORMATION ONLY**



Note: Hearth Tiles CUT AND INSTALLED by others



MID-ATLANTIC MASONRY HEAT  
 McIntire Business Park  
 Charlottesville, VA 22903  
 (434)979-9707 Fax 434-979-6416

MODEL TLU 2480  
 PROJECT HARRIGAN

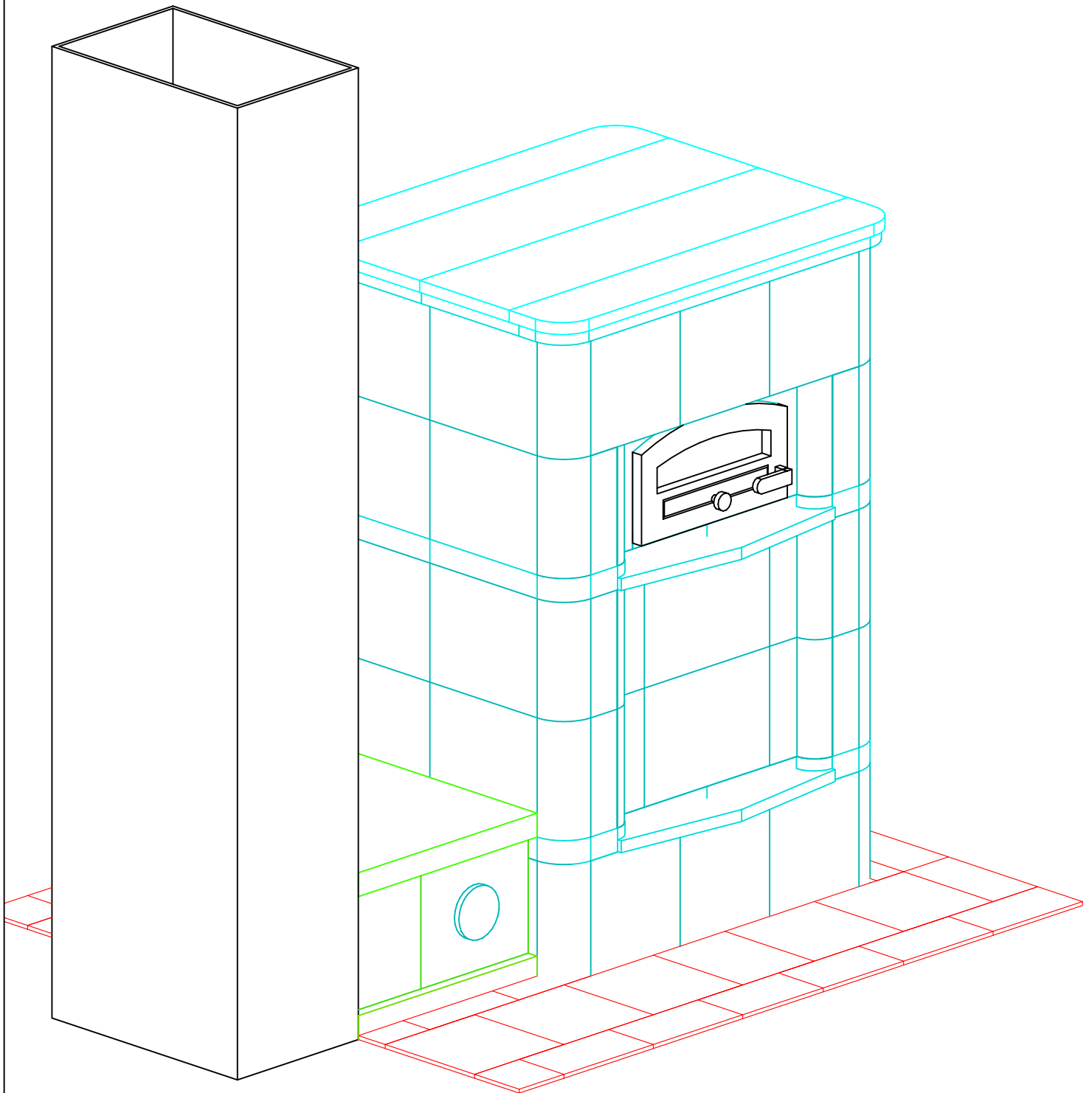
VIEW ISOMETRIC  
 DRAWN BY D.POWLEY  
 DATE 9/25/01

PAGE

1

Revision: 1	Date 4/18/02	By: DP
Revision: 2	Date 9/9/02	By: DP

**INFORMATION ONLY**



Note: Hearth Tiles CUT AND INSTALLED by others



MID-ATLANTIC MASONRY HEAT  
 McIntire Business Park  
 Charlottesville, VA 22903  
 (434)979-9707 Fax 434-979-6416

MODEL TLU 2480  
 PROJECT HARRIGAN

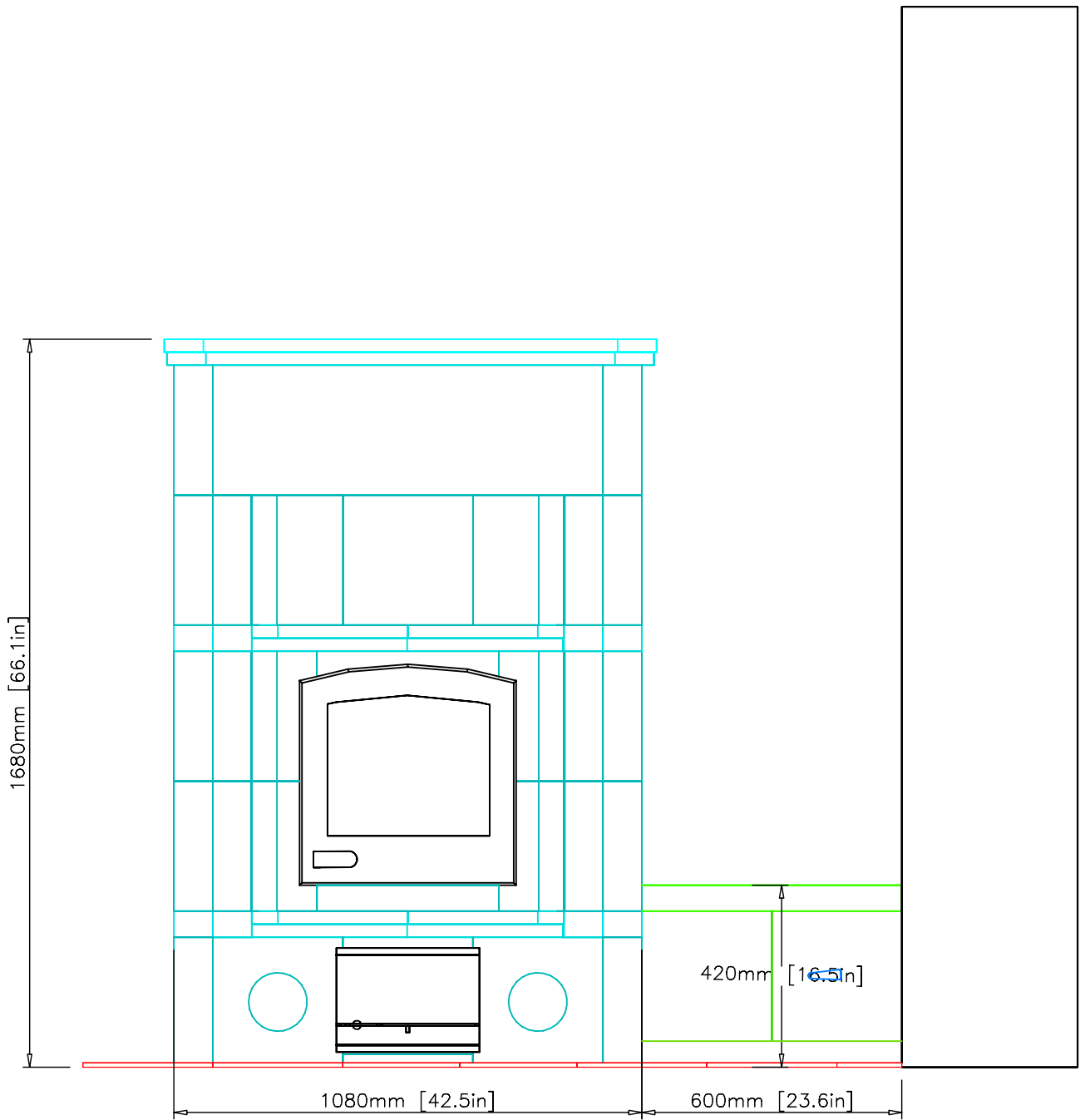
VIEW ISOMETRIC  
 DRAWN BY D.POWLEY  
 DATE 9/25/01

PAGE

2

Revision: 1	Date 4/18/02	By: DP
Revision: 2	Date 9/9/02	By: DP

# INFORMATION ONLY



MID-ATLANTIC MASONRY HEAT  
 McIntire Business Park  
 Charlottesville, VA 22903  
 (434)979-9707 Fax 434-979-6416

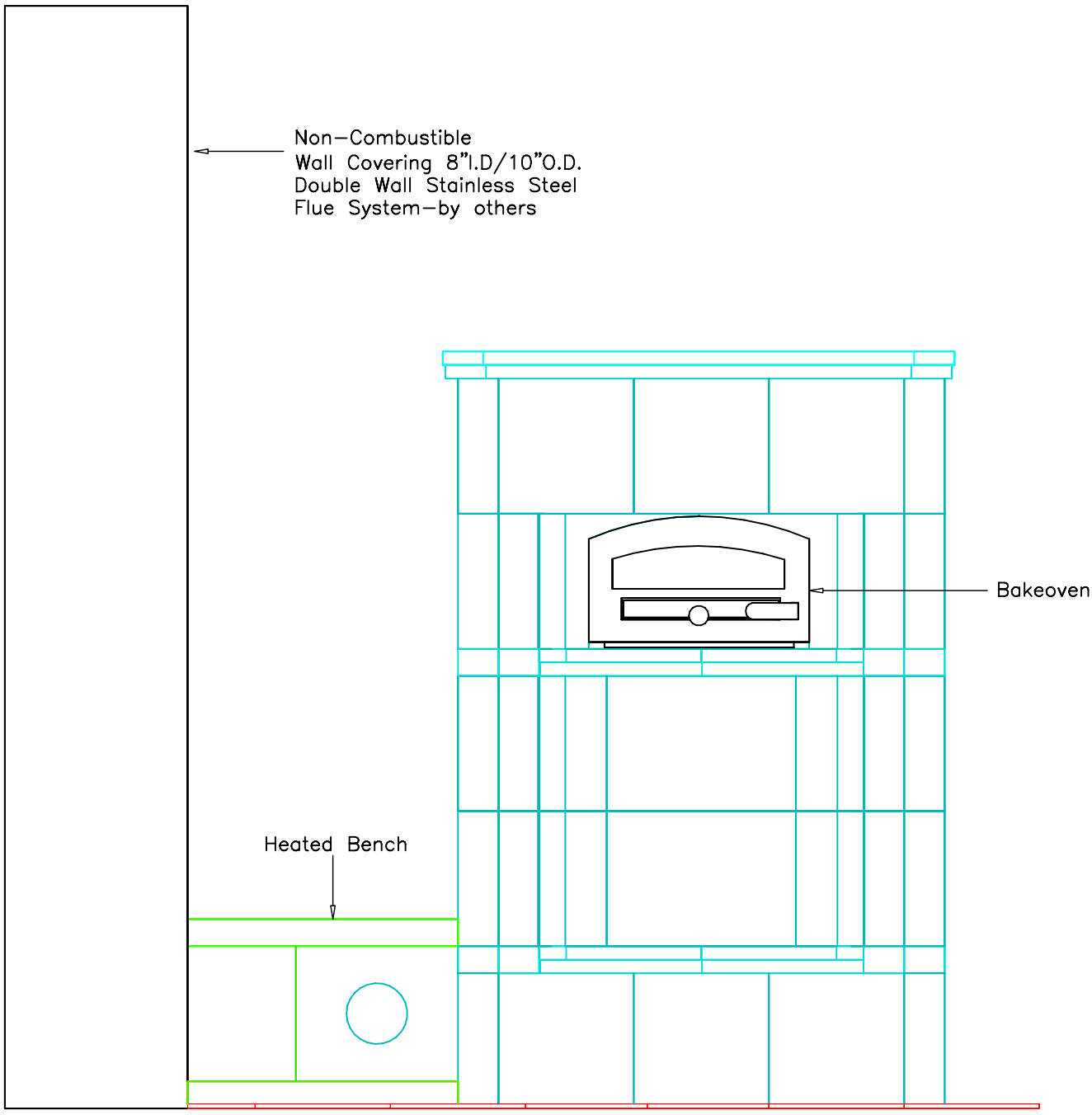
MODEL	TLU 2480	VIEW	FRONT
PROJECT	HARRIGAN	DRAWN BY	D.POWLEY
		DATE	9/25/01

PAGE

3

Revision: 1	Date 4/18/02	By: DP
Revision: 2	Date 9/9/02	By: DP

# INFORMATION ONLY



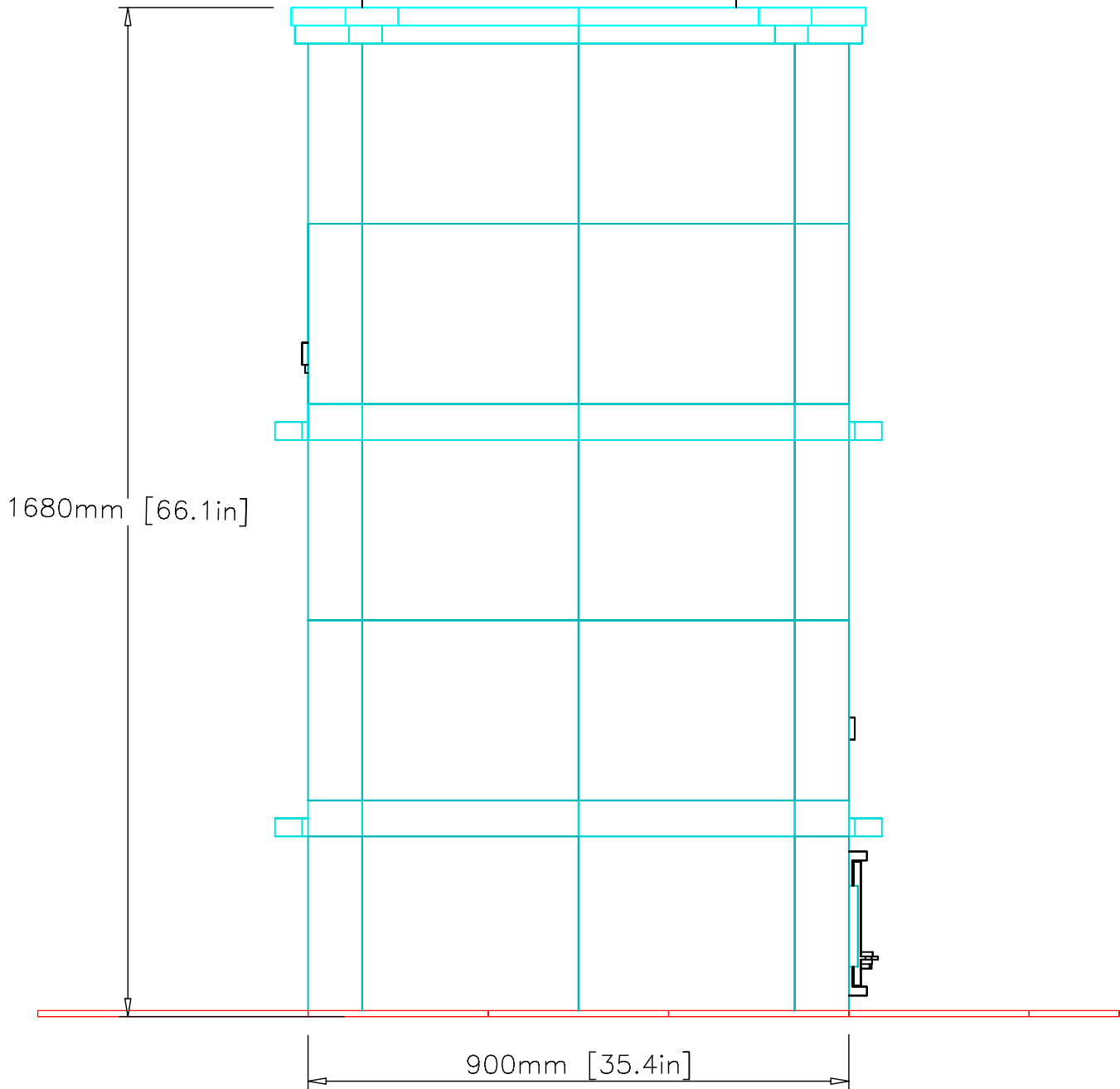
Non-Combustible  
Wall Covering 8" I.D./10" O.D.  
Double Wall Stainless Steel  
Flue System—by others

Bakeoven

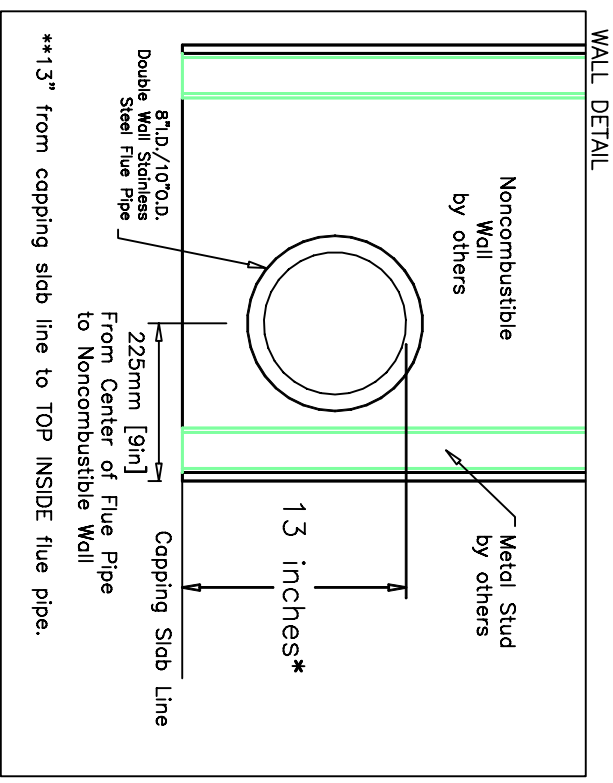
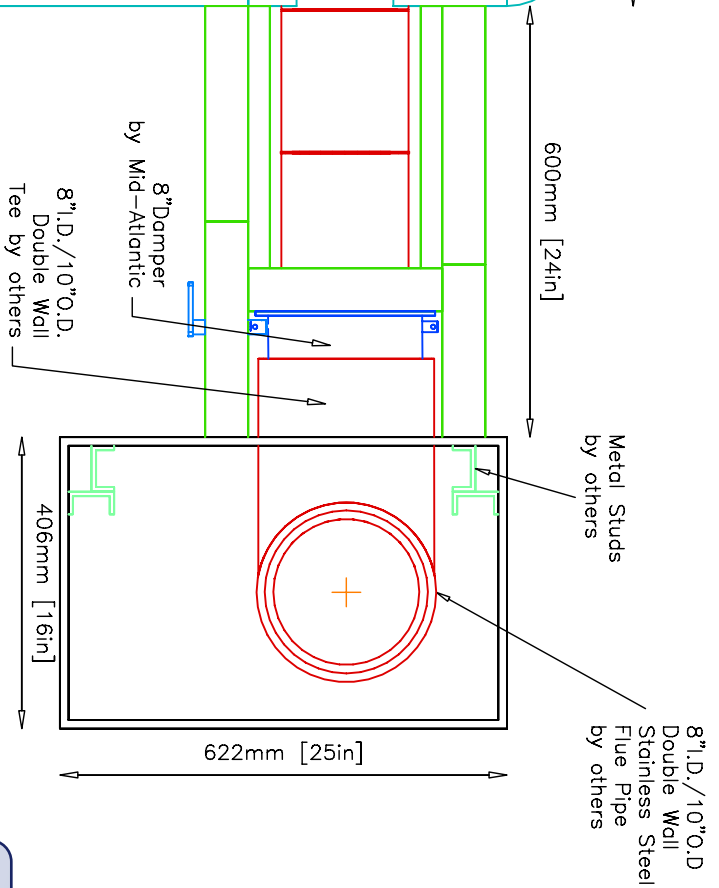
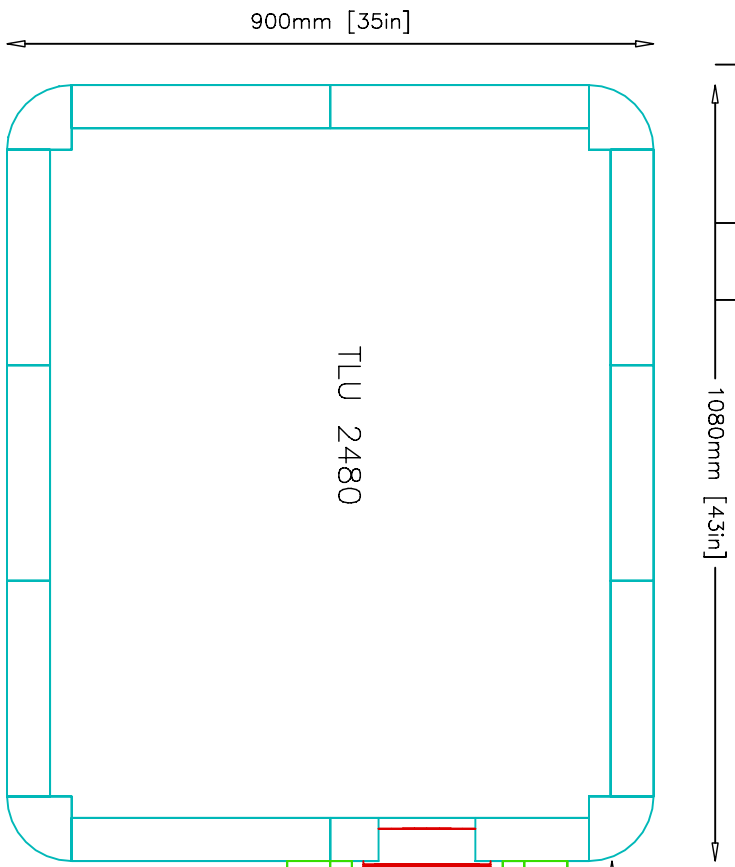
Heated Bench

Revision: 1	Date 4/18/02	By: DP
Revision: 2	Date 9/9/02	By: DP

# INFORMATION ONLY



Revision: 1	Date: 4/18/02	By: DP
Revision: 2	Date: 9/9/02	By: DP
Revision: 3	Date: 10/11/02	By: DP



NOTES:

- \*13" from Capping Slab (which is flush with subfloor) to TOP INSIDE flue pipe.
- \*Flue connection and opening in wall MUST be in place prior to installation.
- \*Flue Pipe: 8" I.D./10" O.D. Double Wall Stainless Steel Flue Pipe—by others

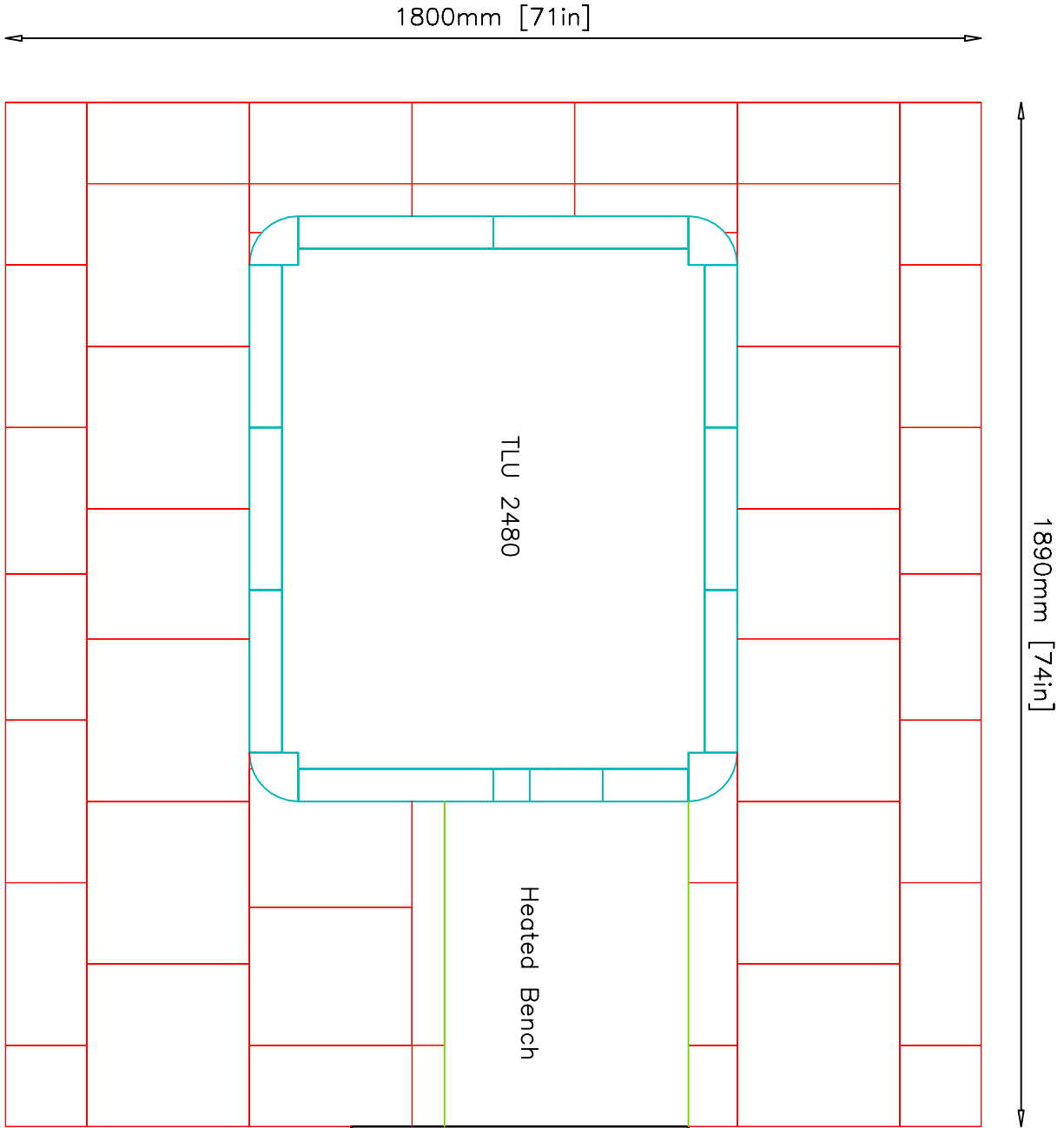
**INFORMATION ONLY**



MID-ATLANTIC MASONRY HEAT  
 McIntire Business Park  
 Charlottesville, VA 22903  
 (434)979-9707 Fax 434-979-6416

MODEL	TLU 2480	VIEW	PLAN
PROJECT	HARRIGAN	DRAWN BY	D. POWLEY
		DATE	9/25/01

Revision: 1	Date 4/18/02	By: DP
Revision: 2	Date 9/9/02	By: DP



Note: Hearth Tiles CUT AND INSTALLED by others

**INFORMATION ONLY**

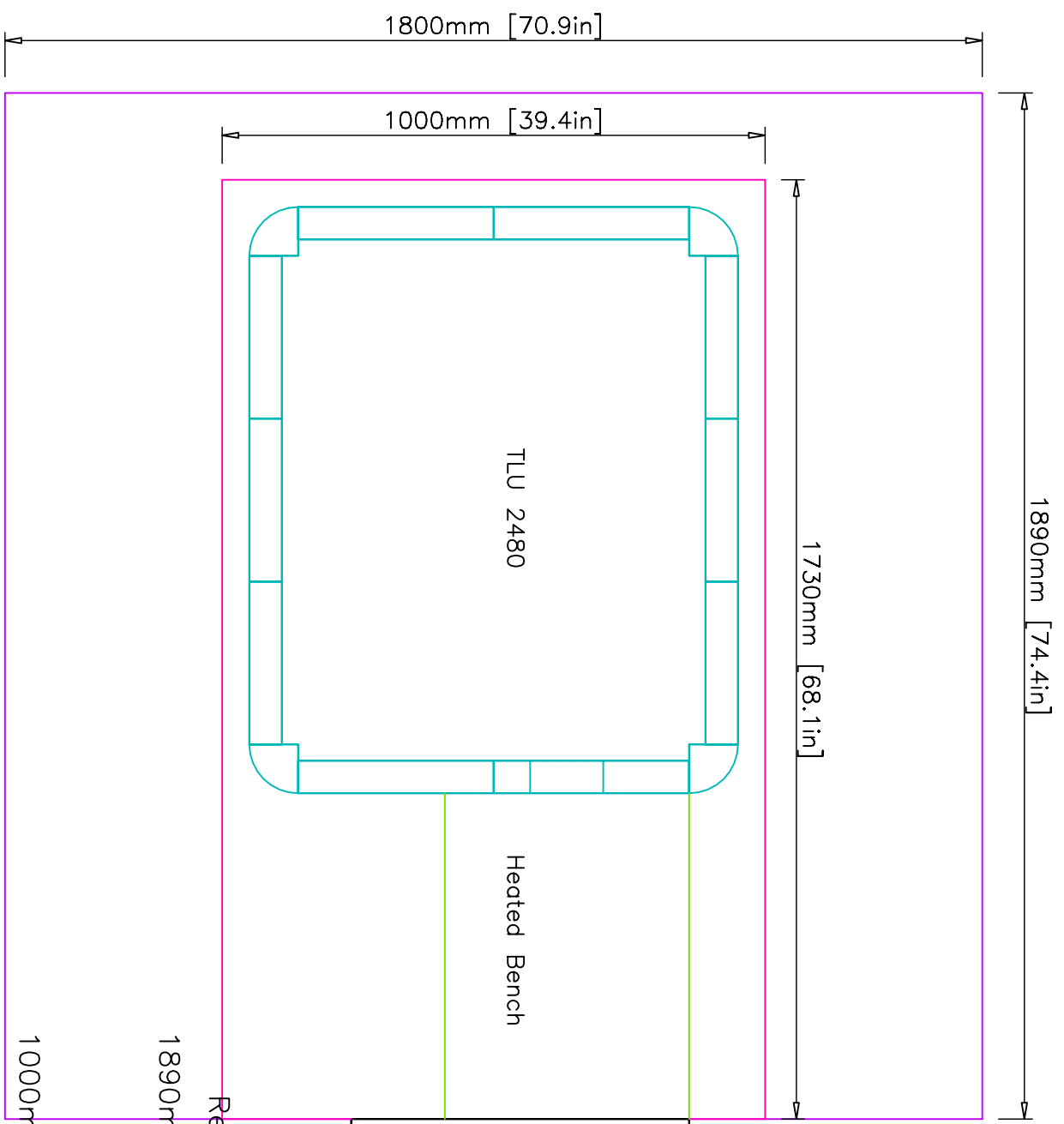


MID-ATLANTIC MASONRY HEAT  
 McIntire Business Park  
 Charlottesville, VA 22903  
 (434)979-9707 Fax 434-979-6416

MODEL TLU 2480	VIEW HEARTH TILE	PAGE 7
PROJECT HARRIGAN	DRAWN BY D.POWLEY	
		DATE 9/25/01

Revision: 1	Date 4/18/02	By: DP
Revision: 2	Date 9/9/02	By: DP

# Capping Slab



## NOTES:

Recommended Dimensions  
 1890mm [74.4in] X 1800mm [70.9in]  
 Minimum Dimensions  
 1000mm [39.4in] X 1730mm [68.1in]

**INFORMATION ONLY**



MID-ATLANTIC MASONRY HEAT  
 McIntire Business Park  
 Charlottesville, VA 22903  
 (434)979-9707 Fax 434-979-6416

MODEL	TLU 2480	VIEW	Capping Slab
PROJECT	HARRIGAN	DRAWN BY	D.POWLEY
		DATE	9/25/01

PAGE 00