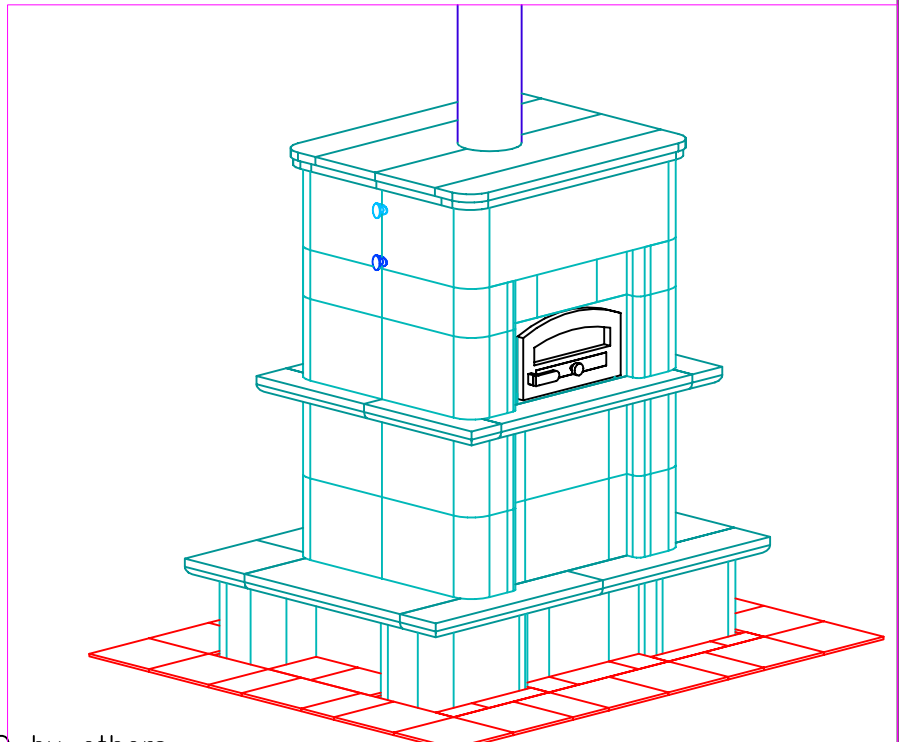
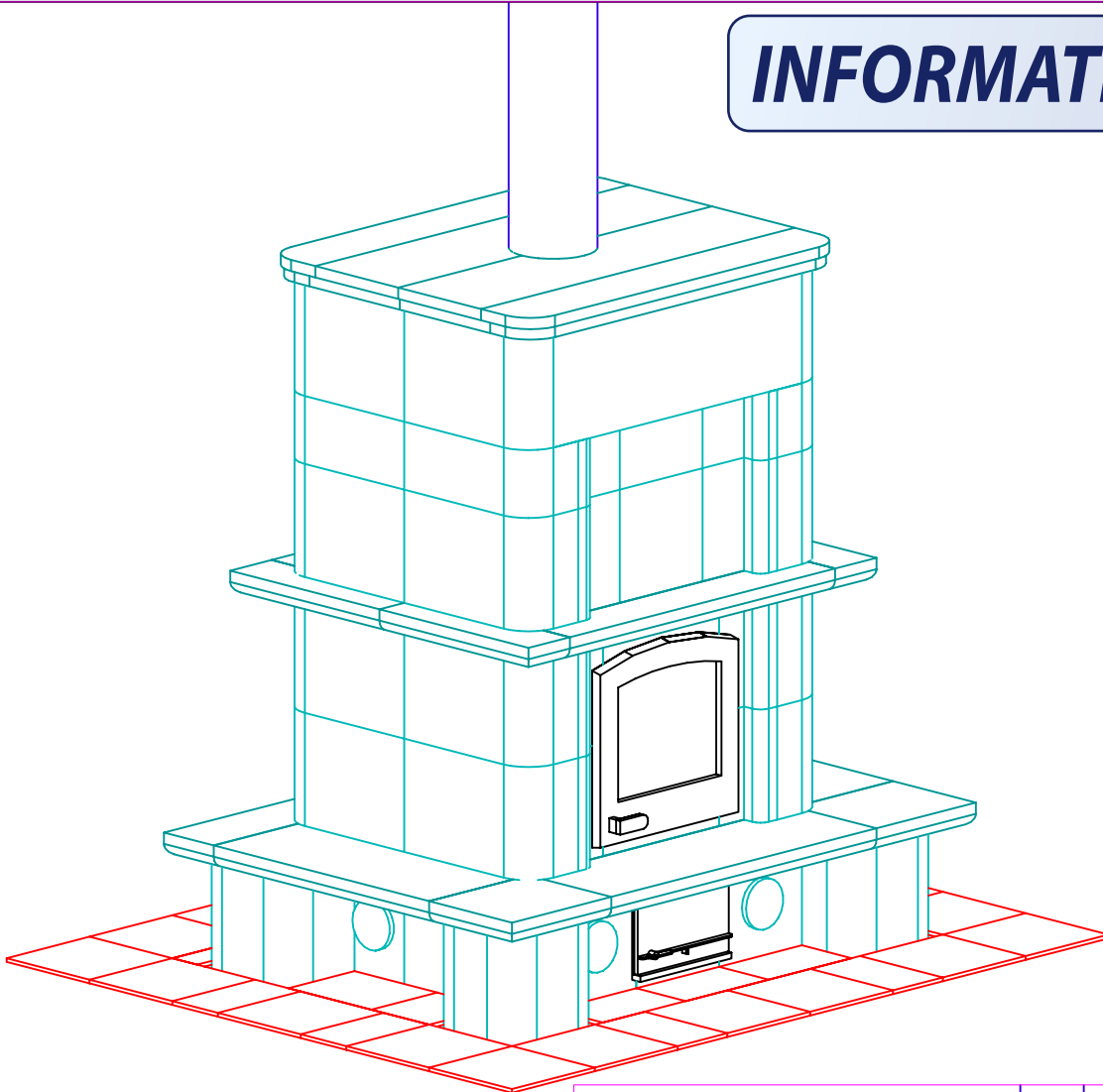


INFORMATION ONLY



NOTE: Hearth Tiles CUT AND INSTALLED by others



MID-ATLANTIC MASONRY HEAT
1229 Harris Street Suite 1
Charlottesville, VA 22903
(434)979-9709 Fax 434-979-6416

PROJECT REECE
MODEL TLU2480

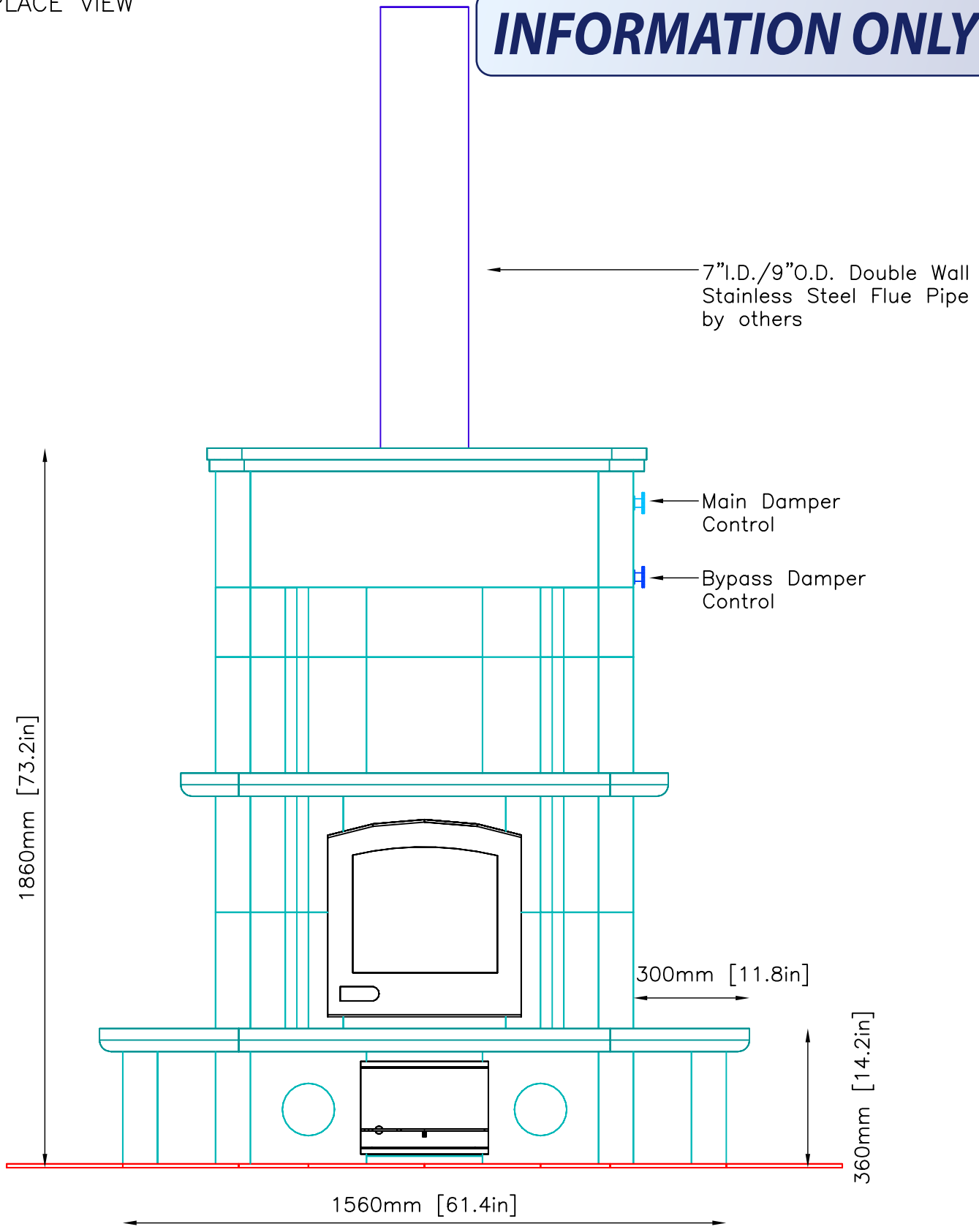
CONTRACT 5662
DRAWN BY D.P.BYRAM

VIEW PERSPECTIVE
DATE 7/27/04

PAGE 1

FIREPLACE VIEW

INFORMATION ONLY



NOTE: Hearth Tiles CUT AND INSTALLED by others



MID-ATLANTIC MASONRY HEAT
 1229 Harris Street Suite 1
 Charlottesville, VA 22903
 (434)979-9709 Fax 434-979-6416

PROJECT REECE
 MODEL TLU2480

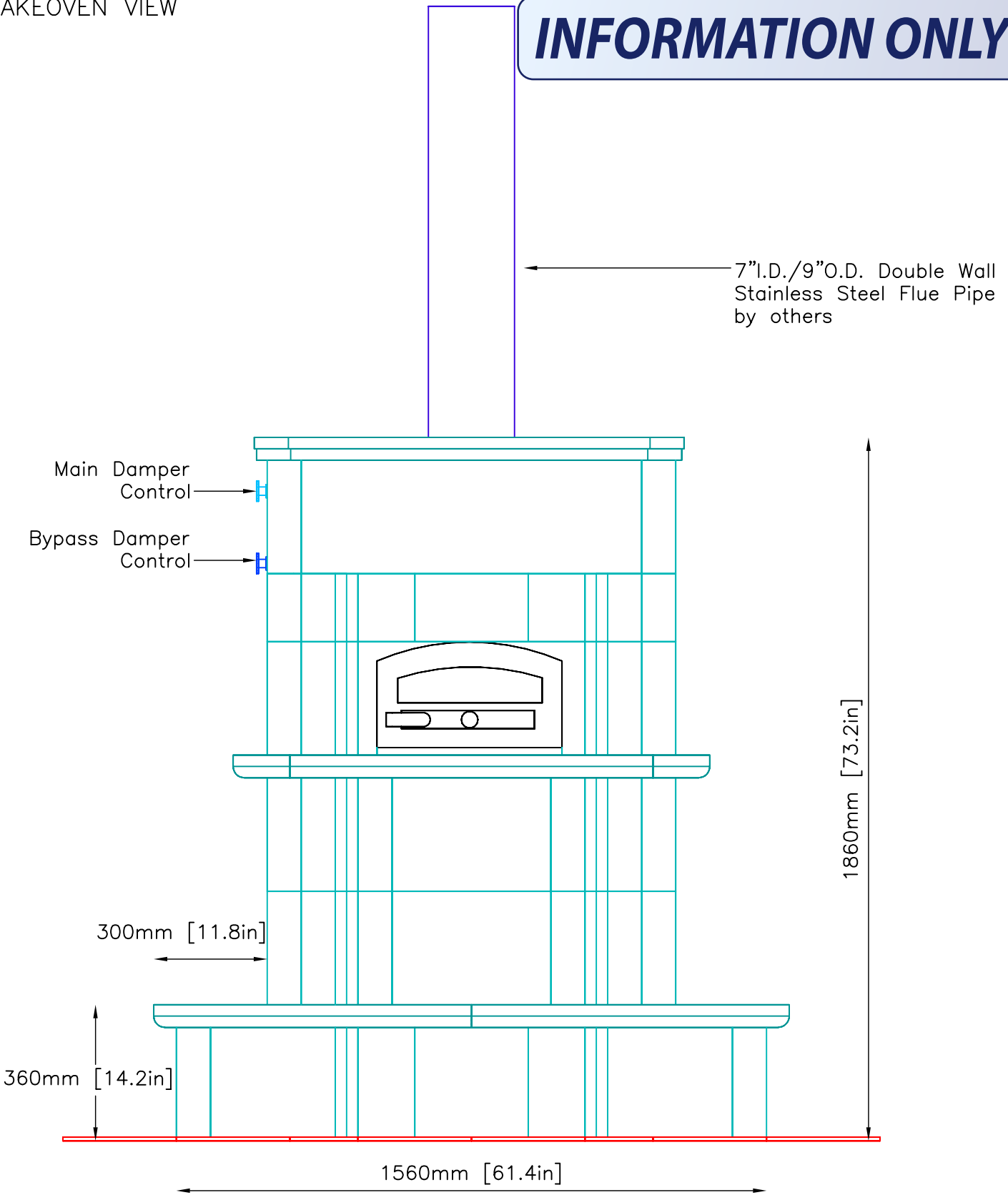
CONTRACT 5662
 DRAWN BY D.P.BYRAM

VIEW FIREPLACE
 DATE 7/27/04

PAGE 2

BAKEOVEN VIEW

INFORMATION ONLY



NOTE: Hearth Tiles CUT AND INSTALLED by others



MID-ATLANTIC MASONRY HEAT
1229 Harris Street Suite 1
Charlottesville, VA 22903
(434)979-9709 Fax 434-979-6416

PROJECT REECE
MODEL TLU2480

CONTRACT 5662
DRAWN BY D.P.BYRAM

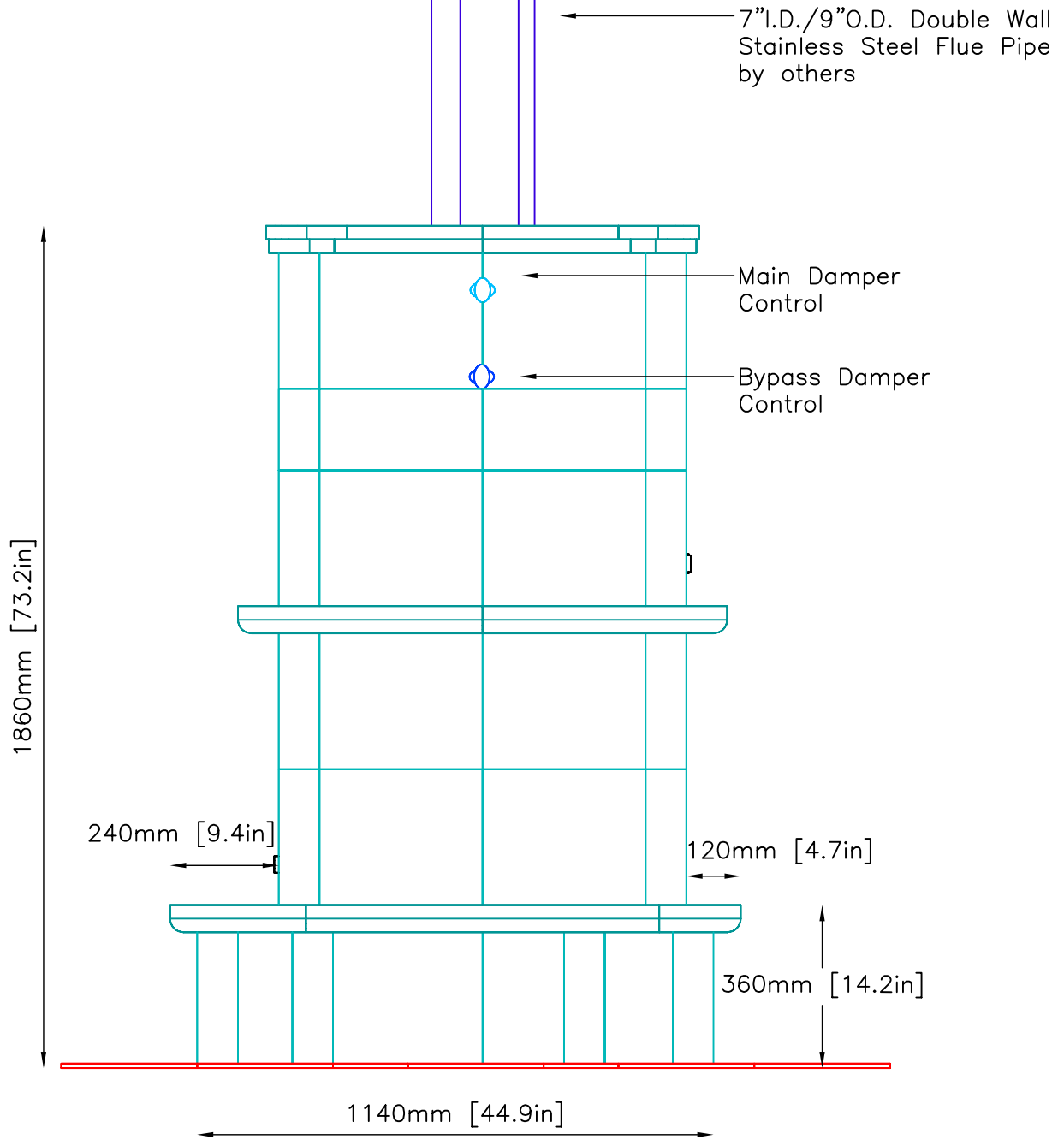
VIEW BAKEOVEN
DATE 7/27/04

PAGE

3

SIDE VIEW

INFORMATION ONLY



NOTE: Hearth Tiles CUT AND INSTALLED by others



MID-ATLANTIC MASONRY HEAT
1229 Harris Street Suite 1
Charlottesville, VA 22903
(434)979-9709 Fax 434-979-6416

PROJECT REECE
MODEL TLU2480

CONTRACT 5662
DRAWN BY D.P.BYRAM

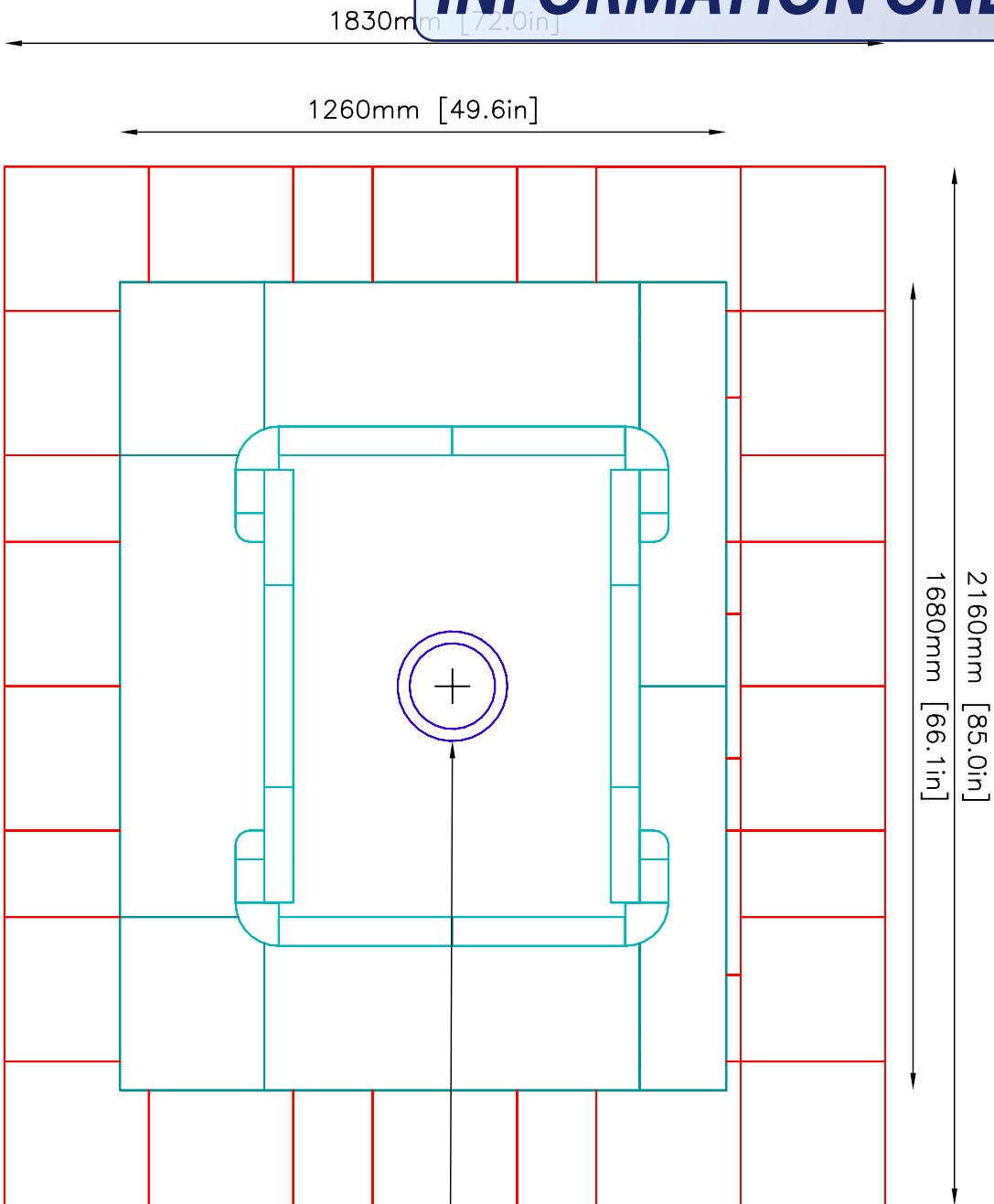
VIEW SIDE
DATE 7/27/04

PAGE

4

INFORMATION ONLY

PLAN VIEW



NOTE: Hearth Tiles CUT AND INSTALLED by others

7" I.D./9" O.D. Double Wall
Stainless Steel Flue Pipe
by others
SEE PAGE 6 FOR
FLUE LOCATION



MID-ATLANTIC MASONRY HEAT
1229 Harris Street Suite 1
Charlottesville, VA 22903
(434)979-9709 Fax 434-979-6416

PROJECT REECE
MODEL TLU2480

CONTRACT 5662
DRAWN BY D.P.BYRAM

VIEW PLAN
DATE 7/27/04

PAGE 5