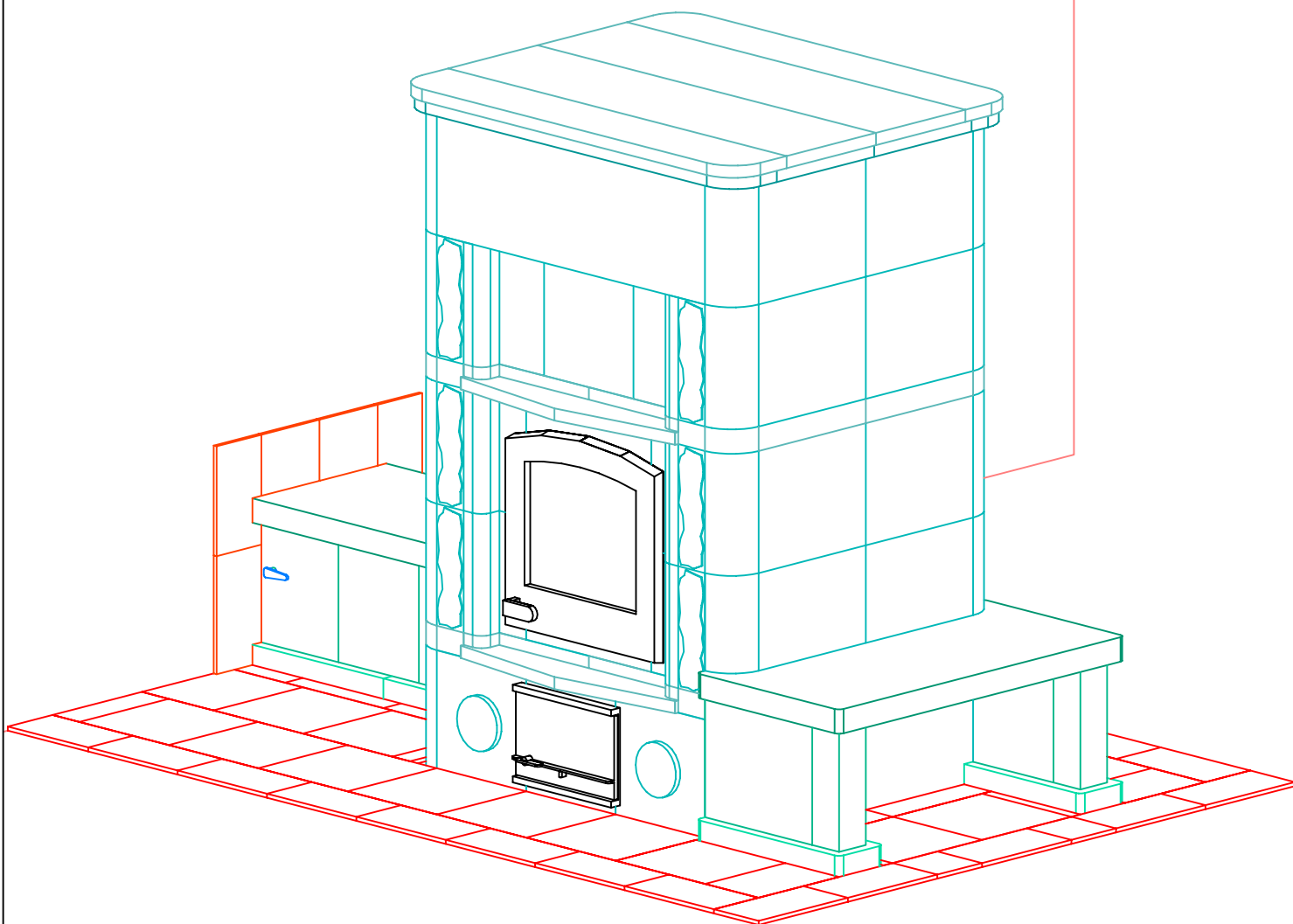


# INFORMATION ONLY



NOTE: Hearth Tiles CUT AND INSTALLED by others



MID-ATLANTIC MASONRY HEAT  
1229 Harris Street Suite 1  
Charlottesville, VA 22903  
(434)979-9709 Fax 434-979-6416

PROJECT SMITH

CONTRACT 5422

VIEW PERSPECTIVE

PAGE

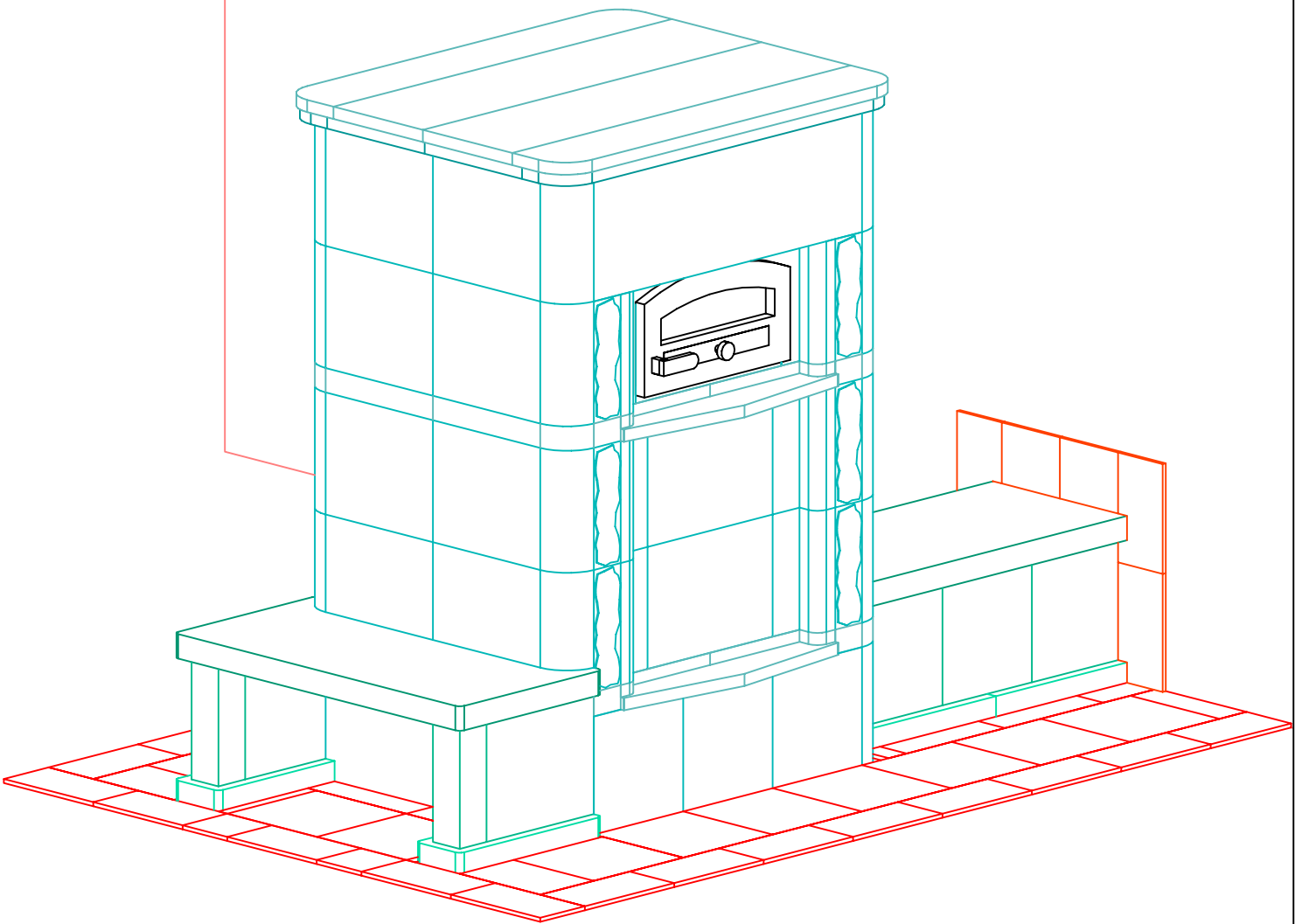
MODEL TLU2480/1

DRAWN BY D.P.BYRAM

DATE 7/17/03

1

# INFORMATION ONLY



NOTE: Hearth Tiles CUT AND INSTALLED by others



MID-ATLANTIC MASONRY HEAT  
1229 Harris Street Suite 1  
Charlottesville, VA 22903  
(434)979-9709 Fax 434-979-6416

PROJECT SMITH  
MODEL TLU2480/1

CONTRACT 5422  
DRAWN BY D.P.BYRAM

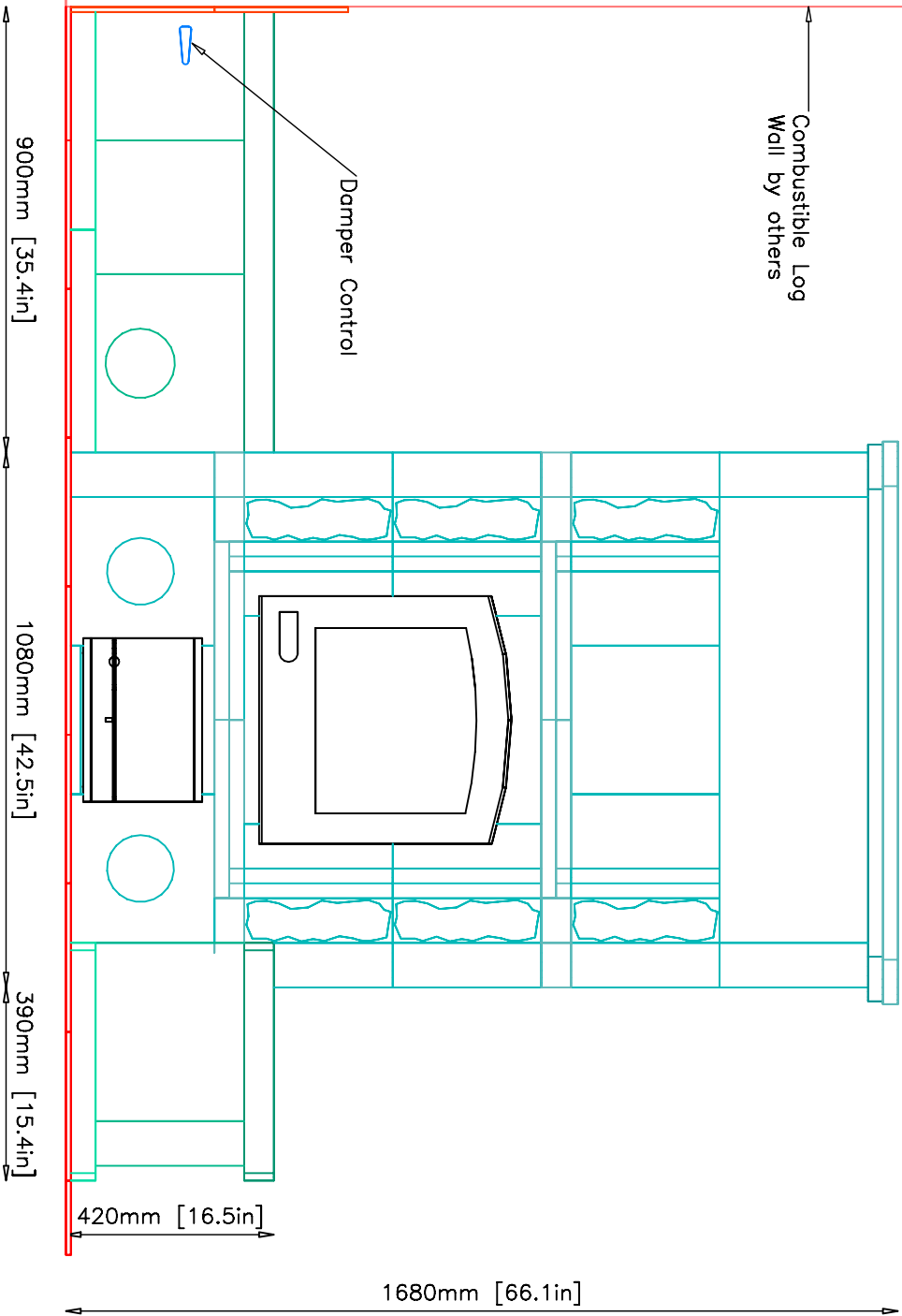
VIEW PERSPECTIVE  
DATE 7/17/03

PAGE

2

# INFORMATION ONLY

LIVING ROOM VIEW



MID-ATLANTIC MASONRY HEAT  
 1229 Harris Street Suite 1  
 Charlottesville, VA 22903  
 (434)979-9709 Fax 434-979-6416

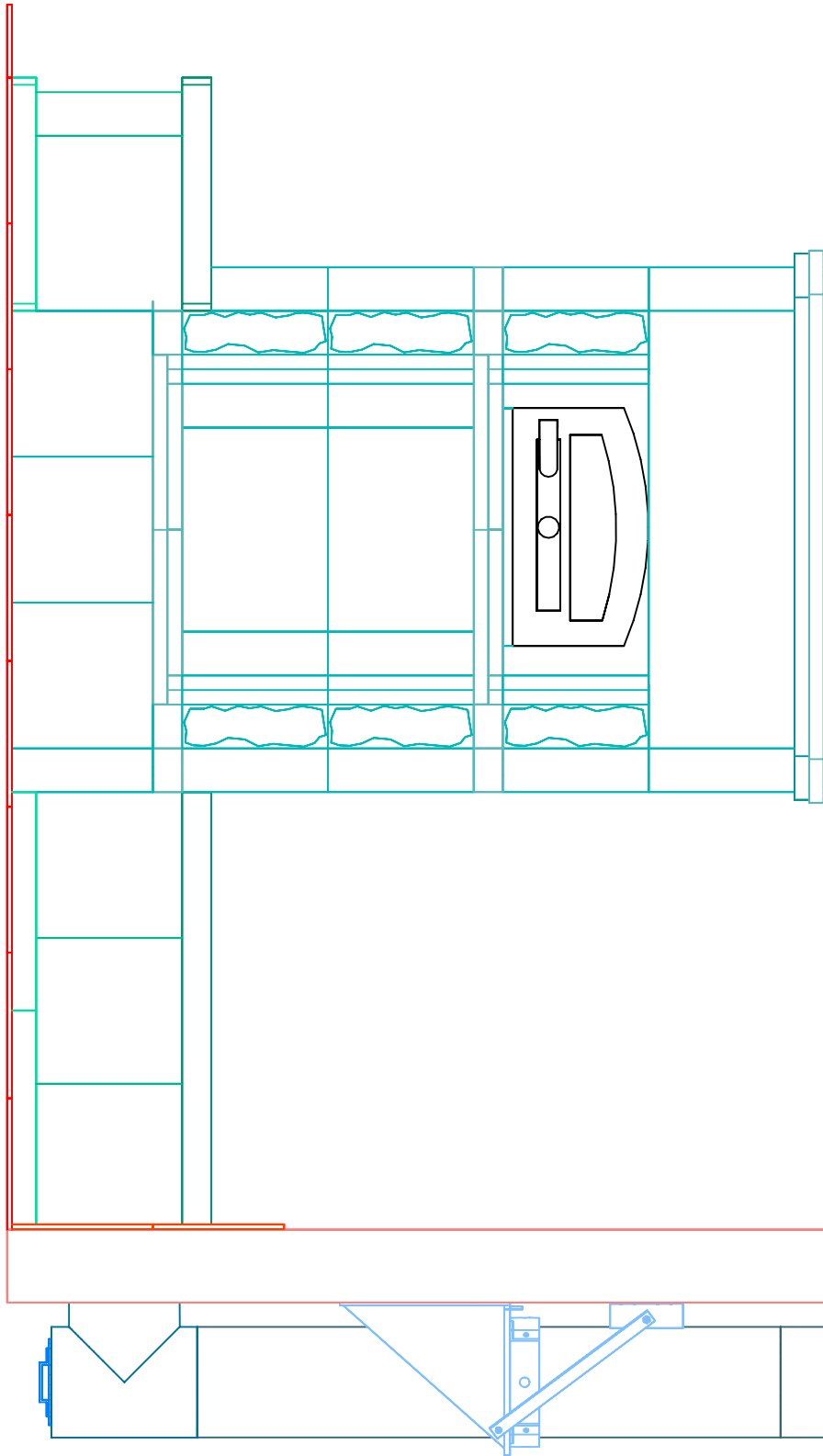
PROJECT SMITH  
 MODEL TLU2480/1

CONTRACT 5422  
 DRAWN BY D.P.BYRAM

VIEW LIVINGROOM  
 DATE 7/17/03

PAGE 3

# INFORMATION ONLY



KITCHEN VIEW



MID-ATLANTIC MASONRY HEAT  
1229 Harris Street Suite 1  
Charlottesville, VA 22903  
(434)979-9709 Fax 434-979-6416

PROJECT SMITH  
MODEL TLU2480/1

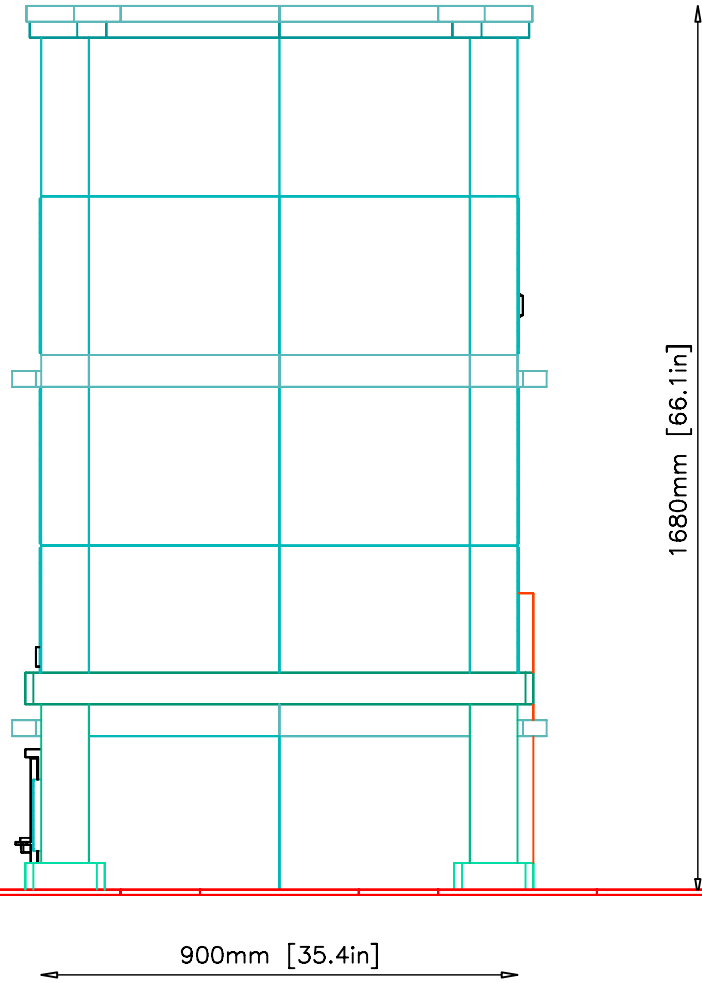
CONTRACT 5422  
DRAWN BY D.P.BYRAM

VIEW KITCHEN  
DATE 7/17/03

PAGE 4

SIDE VIEW

**INFORMATION ONLY**



MID-ATLANTIC MASONRY HEAT  
1229 Harris Street Suite 1  
Charlottesville, VA 22903  
(434)979-9709 Fax 434-979-6416

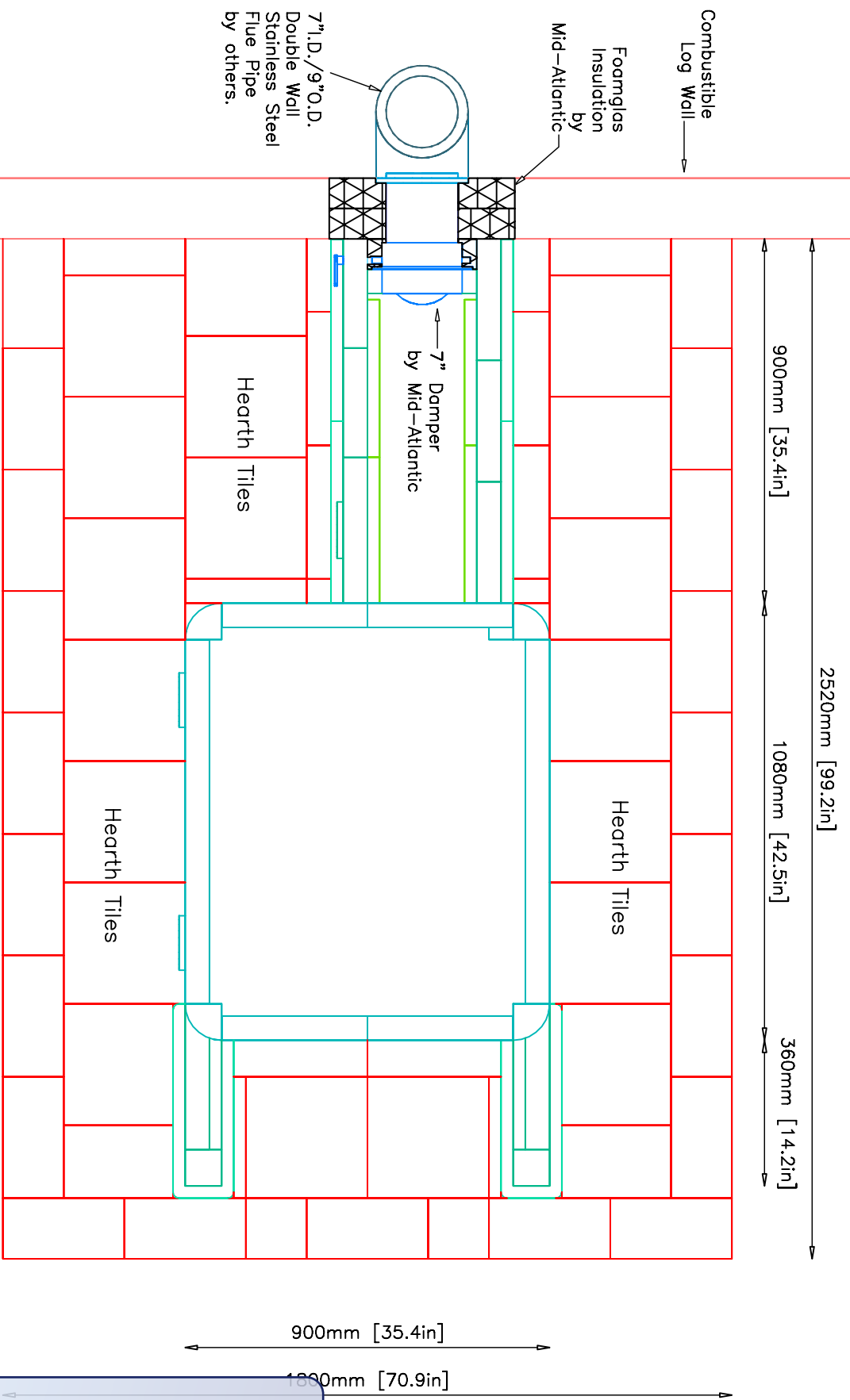
PROJECT SMITH  
MODEL TLU2480/1

CONTRACT 5422  
DRAWN BY D.P.BYRAM

VIEW SIDE  
DATE 7/17/03

PAGE 5

PLAN VIEW



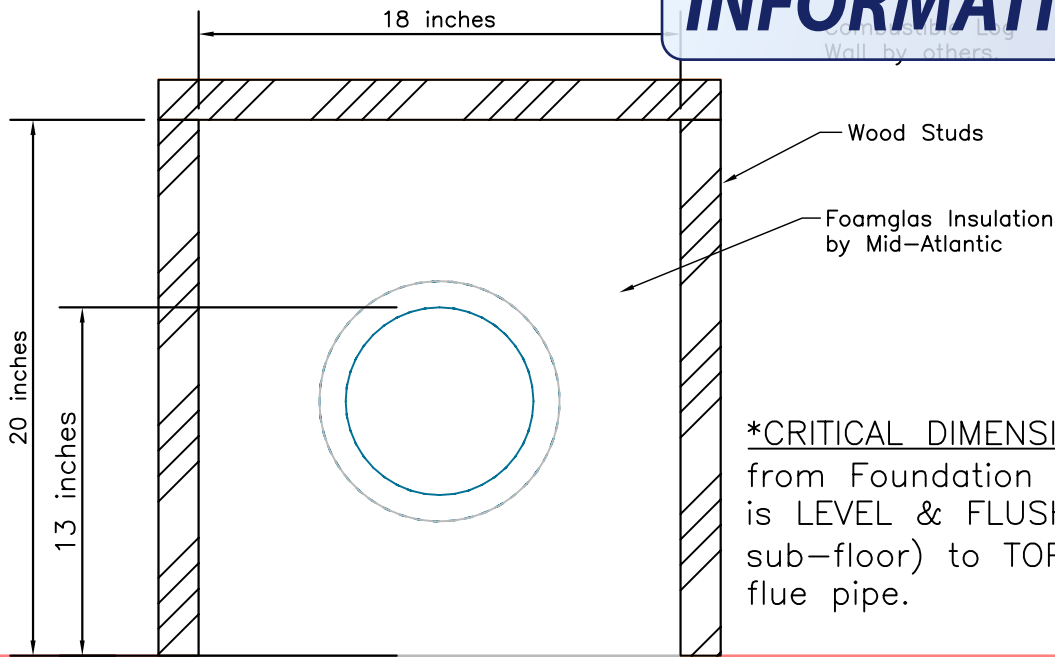
NOTE: Hearth Tiles CUT AND INSTALLED by others  
 Chimney System: 7" I.D./9" O.D. Double Wall Stainless Steel Flue Pipe by others.

**INFORMATION ONLY**

	MID-ATLANTIC MASONRY HEAT 1229 Harris Street Suite 1 Charlottesville, VA 22903 (434)979-9709 Fax 434-979-6416	PROJECT SMITH	CONTRACT 5422	VIEW PLAN	PAGE 6
		MODEL TLU2480/1	DRAWN BY D.P.BYRAM	DATE 7/17/03	

WALL ELEVATION

**INFORMATION ONLY**



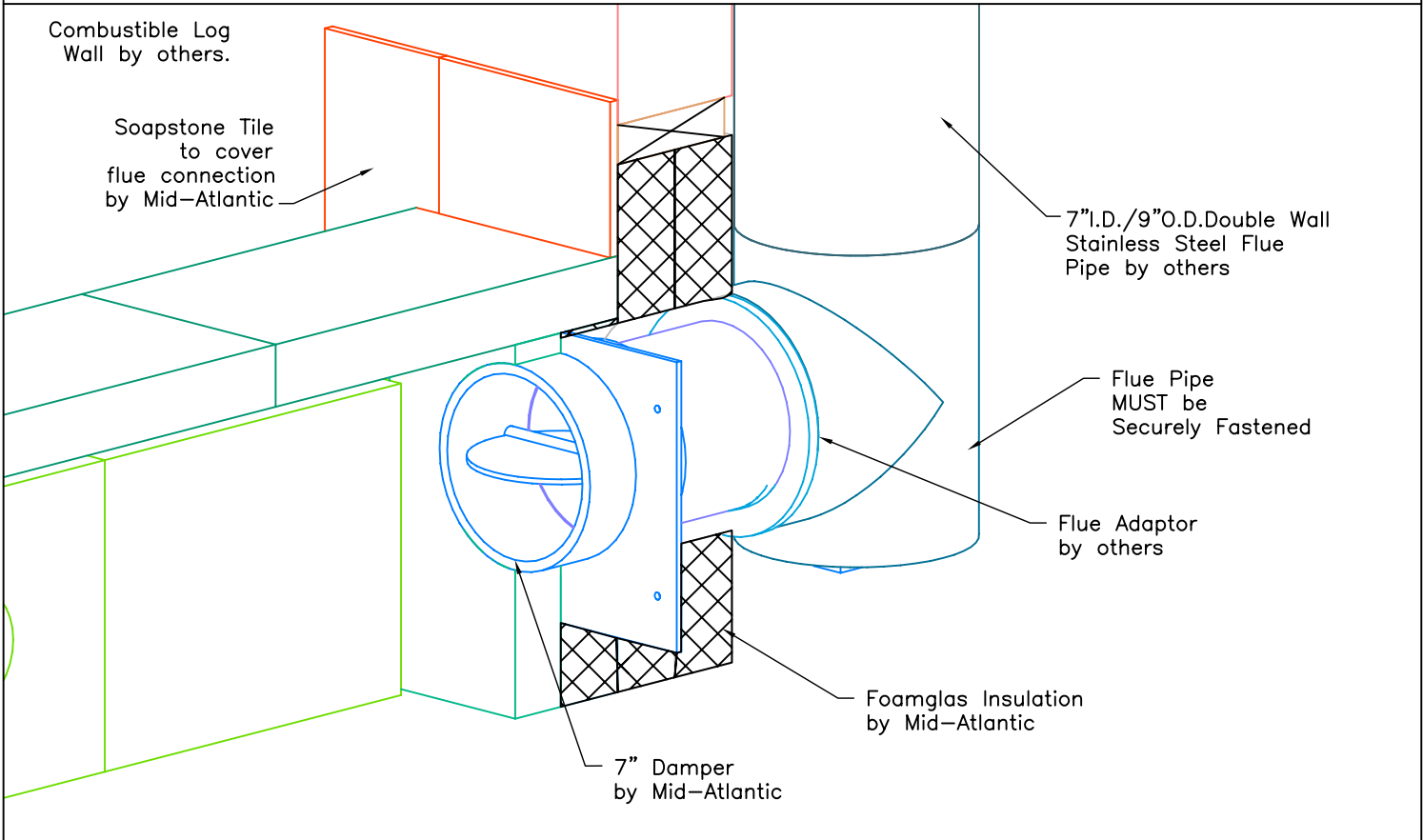
**\*CRITICAL DIMENSION: 13"**  
 from Foundation Slab (which is LEVEL & FLUSH with sub-floor) to TOP INSIDE flue pipe.

**Notes:**

18"x20" Opening MUST be in Place Prior to Installation.  
 UL Listed - Minimum 4" Foamglas Insulation Around Flue Pipe.  
Chimney Placement

**\*CRITICAL DIMENSION: 13"** from Foundation Slab (which is LEVEL & FLUSH with sub-floor) to TOP INSIDE flue pipe.  
 Chimney: 7" I.D./9" O.D. Double Wall Stainless Steel Flue Pipe by Others.

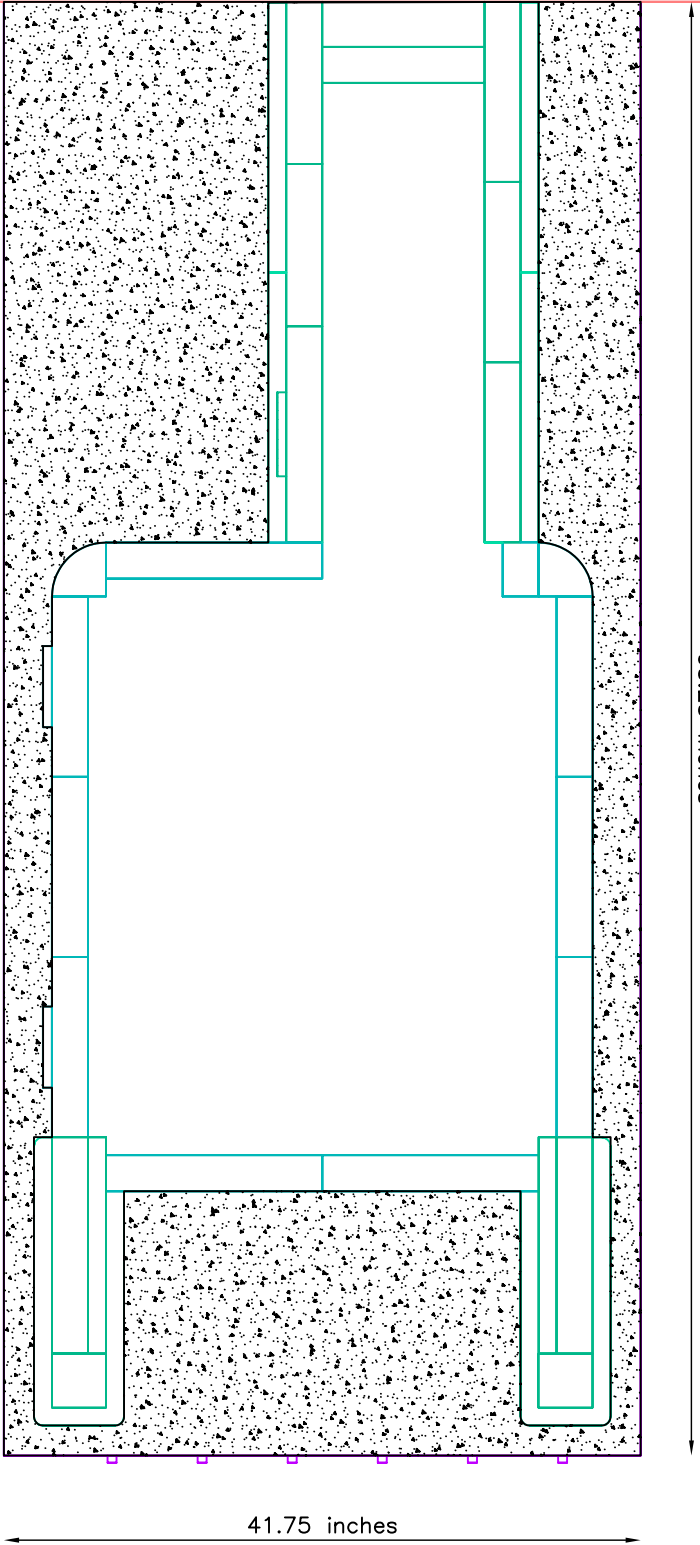
Sub-Floor Line



# FOUNDATION SLAB

Minimum Dimensions—2" from Base of Unit

## INFORMATION ONLY



NOTE:  
TOP OF FOUNDATION SLAB TO BE LEVEL  
AND FLUSH WITH SUB-FLOOR

Tolerances:  
+/- 1/8" No additional cost to adjust slab  
+/- 1/4" \$150.00-\$200.00 additional cost to adjust slab  
+/- 1/2" \$500.00 additional cost to adjust slab

UNIT WEIGHT: MINIMUM 8000lbs.  
Contractor is responsible for engineering foundation slab to support weight of fireplace.



MID-ATLANTIC MASONRY HEAT  
1229 Harris Street Suite 1  
Charlottesville, VA 22903  
(434)979-9709 Fax 434-979-6416

PROJECT SMITH  
MODEL TLU2480/1

CONTRACT 5422  
DRAWN BY D.P.BYRAM

VIEW SUPPORT  
DATE 7/17/03

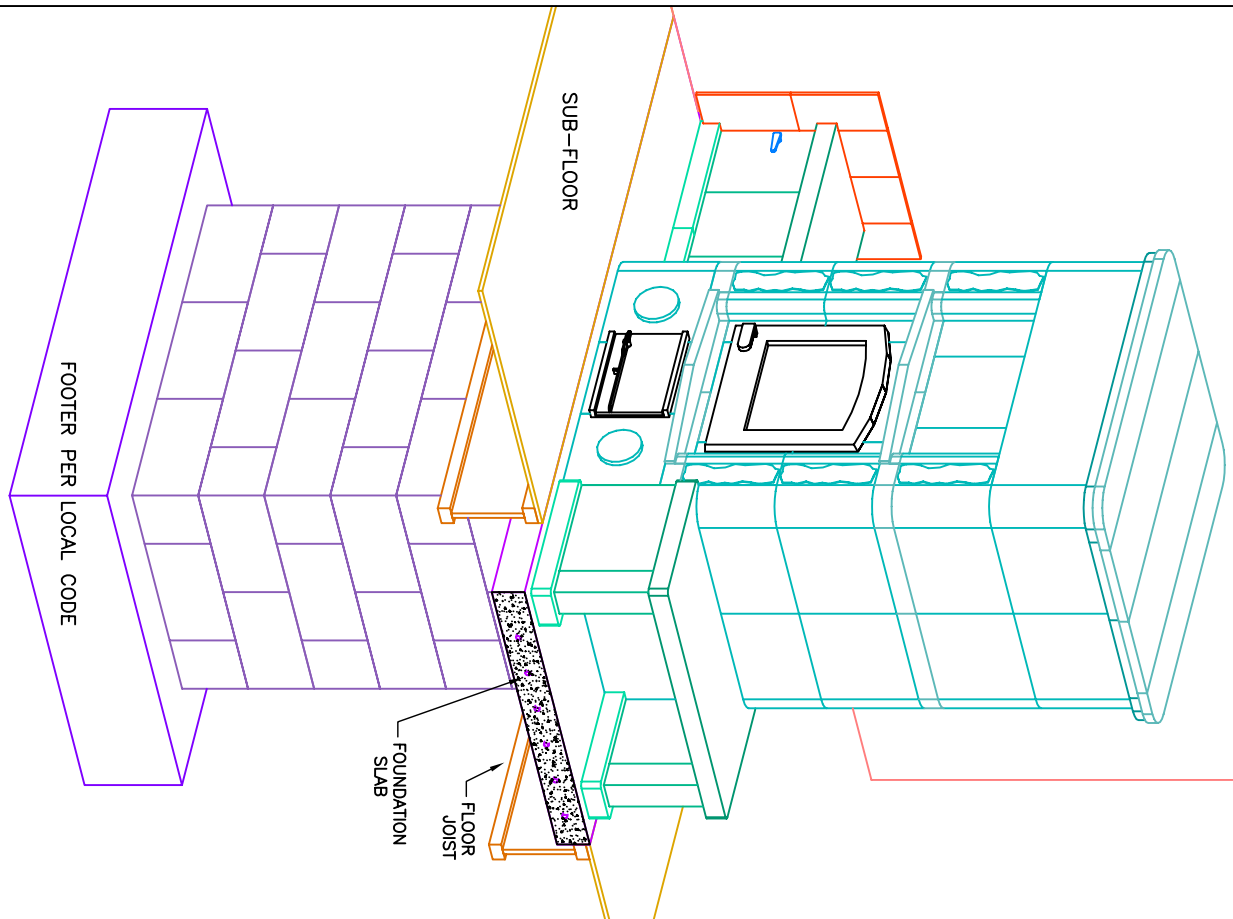
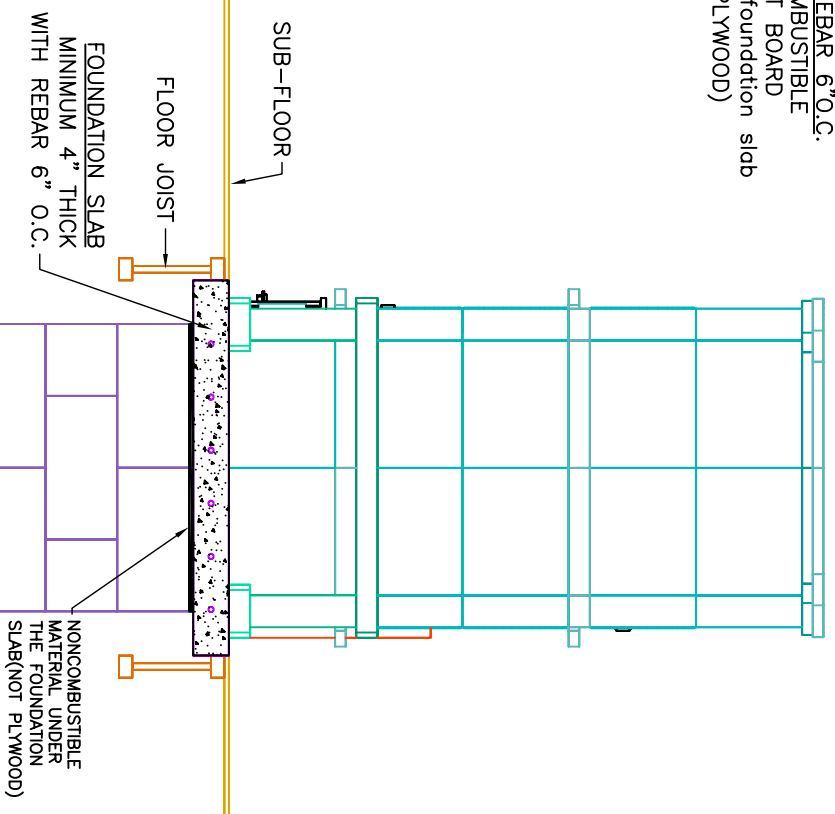
PAGE 00

# INFORMATION ONLY

FOUNDATION SLAB:  
 \* MINIMUM 4" THICK  
 WITH REBAR 6" O.C.  
 \* NONCOMBUSTIBLE  
 CEMENT BOARD  
 under foundation slab  
 (NOT PLYWOOD)

NOTE:  
 TOP OF FOUNDATION SLAB TO BE LEVEL  
 AND FLUSH WITH SUB-FLOOR  
 Tolerances:  
 +/- 1/8" No additional cost  
 +/- 1/4" to adjust slab \$150.00  
 +/- 1/2" to adjust slab \$500.00 additional cost

FOOTER PER LOCAL CODE



UNIT WEIGHT: MINIMUM 8000lbs.  
 Contractor is responsible for engineering foundation slab to support weight of fireplace.