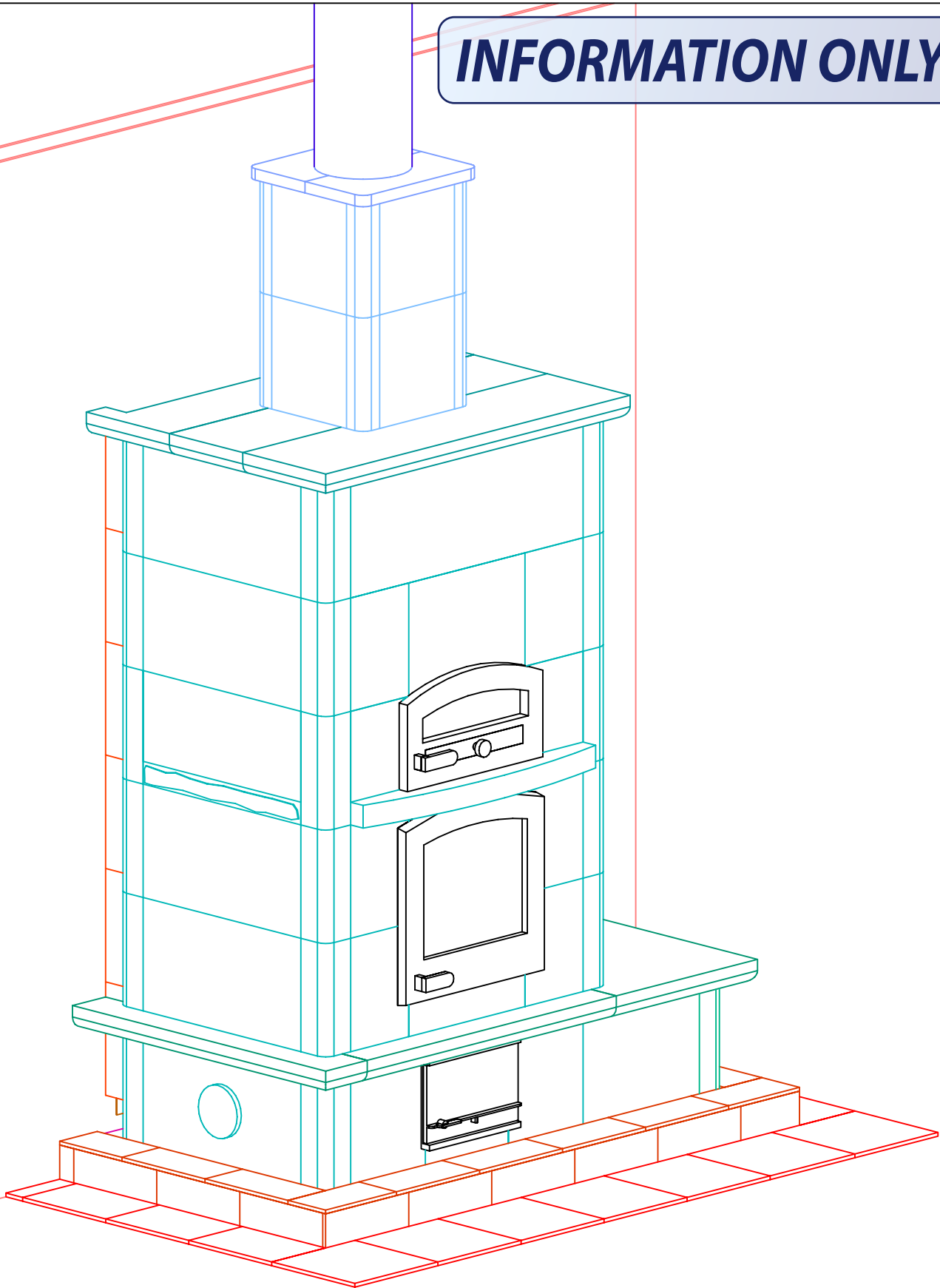


INFORMATION ONLY



NOTE: Hearth Tiles CUT AND INSTALLED by others



FIREPLACE EDITIONS
1035 Mt. Carmel Church Road
Chapel Hill, NC 27517
(919)968-8101 Fax 919-969-8353

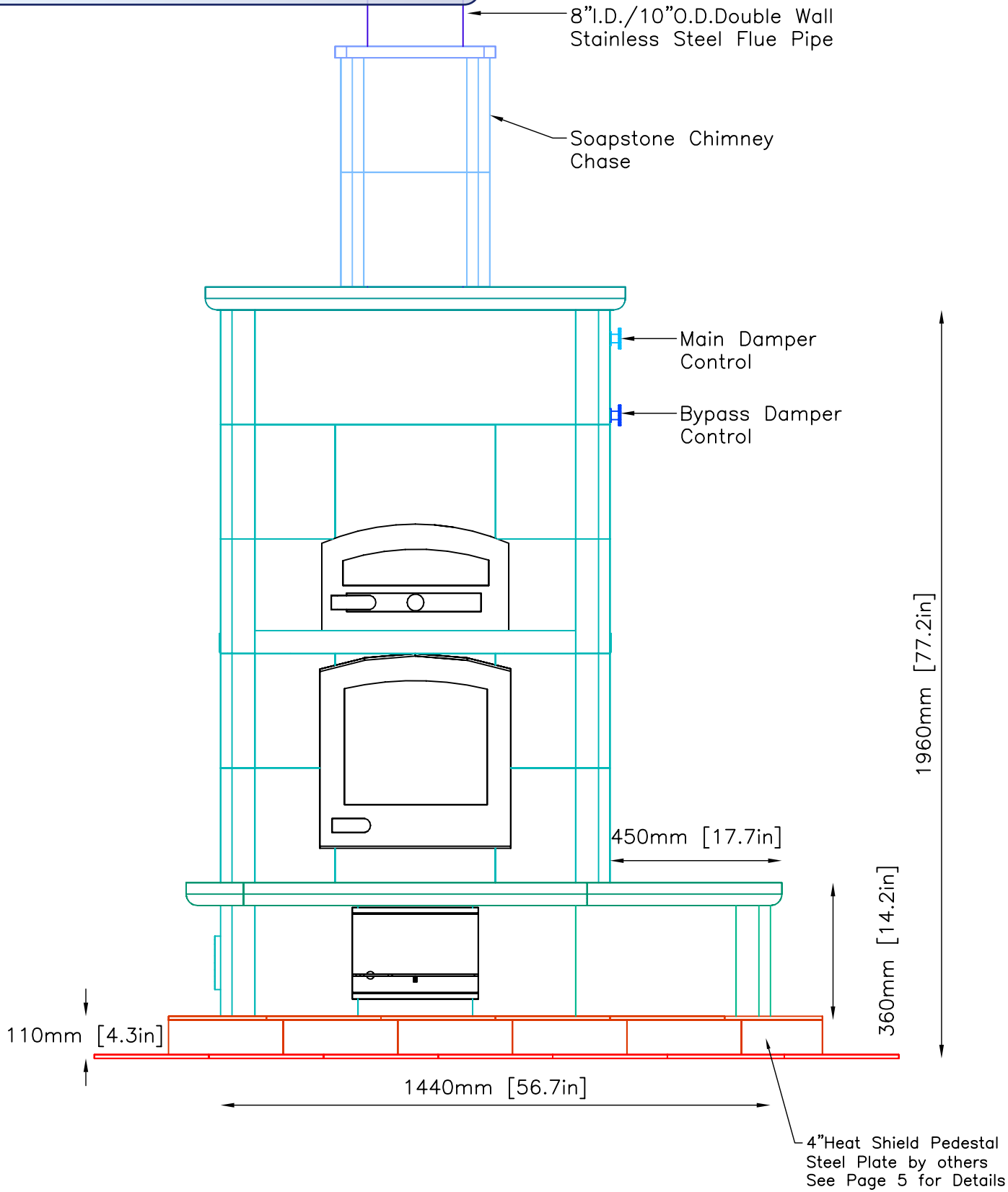
PROJECT ANTLEY
MODEL TU2700/4

CONTRACT
DRAWN BY D.P.BYRAM

VIEW PERSPECTIVE
DATE 3/23/04

PAGE 1

INFORMATION ONLY



NOTE: Hearth Tiles CUT AND INSTALLED by others



FIREPLACE EDITIONS
 1035 Mt. Carmel Church Road
 Chapel Hill, NC 27517
 (919)968-8101 Fax 919-969-8353

PROJECT ANTLEY
 MODEL TU2700/4

CONTRACT
 DRAWN BY D.P.BYRAM

VIEW FRONT
 DATE 3/23/04

PAGE 2

INFORMATION ONLY

8" I.D./10" O.D. Double Wall
Stainless Steel Flue Pipe

Soapstone Chimney
Chase

Combustible
Wall by others

75mm [3.0in]
Heat Shield
by Fireplace Editions

2020mm [79.5in]

110mm [4.3in]

90mm [3.5in]
Air Intake
MUST be kept open

750mm [29.5in]

825mm [32.5in]

4" Heat Shield Pedestal.
Steel Plate by others
See page 5 for Details

NOTE: Hearth Tiles CUT AND INSTALLED by others



FIREPLACE EDITIONS
1035 Mt. Carmel Church Road
Chapel Hill, NC 27517
(919)968-8101 Fax 919-969-8353

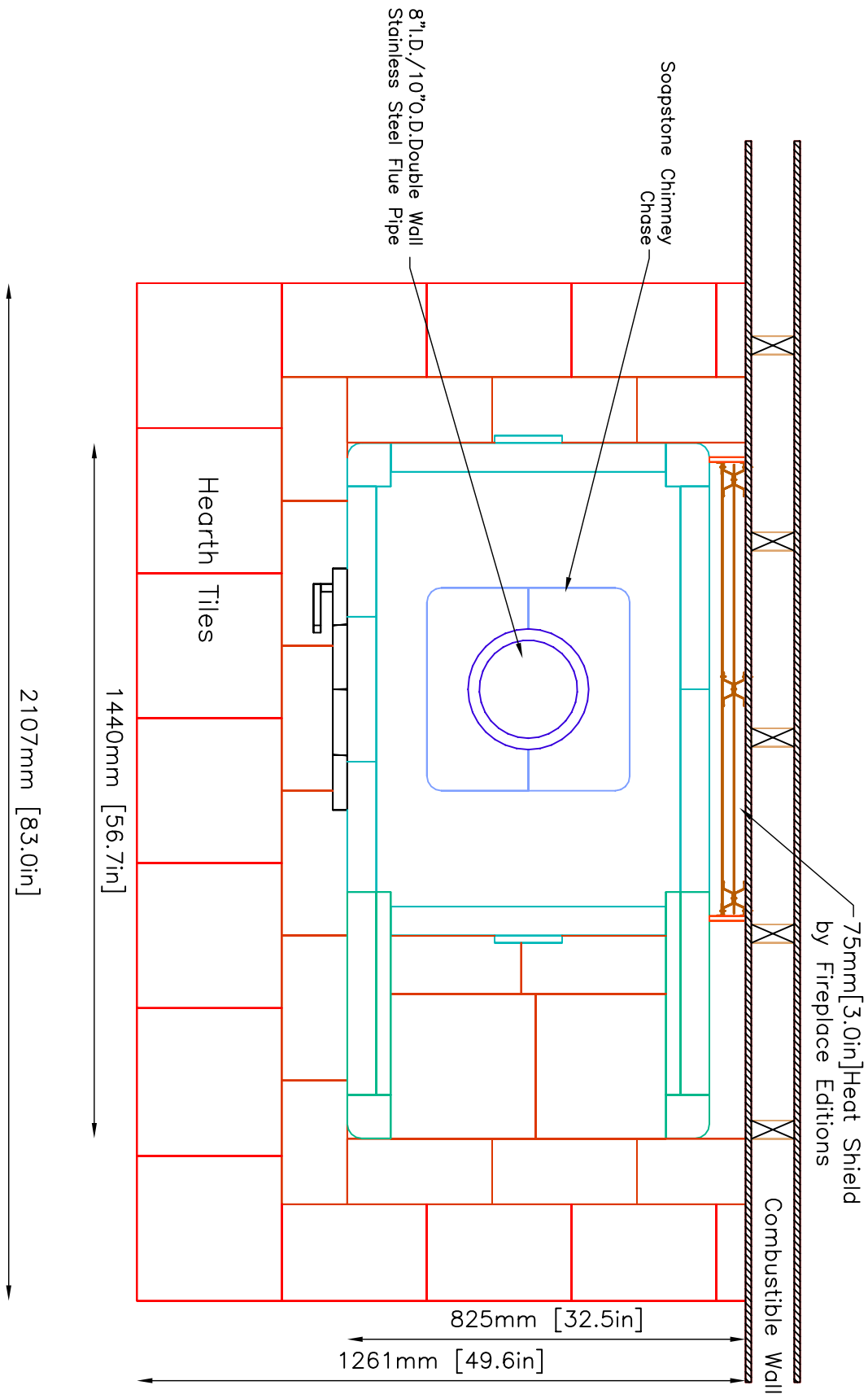
PROJECT ANTLEY
MODEL TU2700/4

CONTRACT
DRAWN BY D.P.BYRAM

VIEW SIDE
DATE 3/23/04

PAGE

3



NOTE: Hearth Tiles CUT AND INSTALLED by others

INFORMATION ONLY



FIREPLACE EDITIONS
 1035 Mt. Carmel Church Road
 Chapel Hill, NC 27517
 (919)968-8101 Fax 919-969-8353

PROJECT ANTLEY
 MODEL TU2700/4

CONTRACT
 DRAWN BY D.P.BYRAM

VIEW PLAN
 DATE 3/23/04

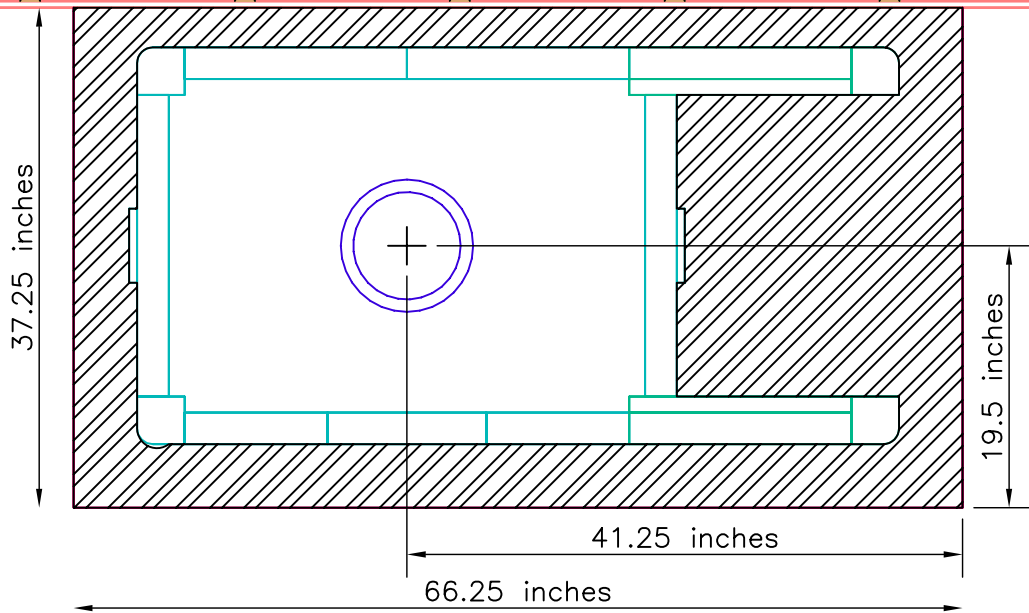
PAGE 4

HEAT SHIELD PEDESTAL
 3/4" STEEL PLATE—BY OTHERS

INFORMATION ONLY

NOTE:
 STEEL PLATE TO BE LEVEL
 Tolerances:
 +/- 1/8" No additional cost to adjust steel plate
 +/- 1/4" \$150.00-\$200.00 additional cost to adjust steel plate
 +/- 1/2" \$500.00 additional cost to adjust steel plate

Note: Bottom of 3/4" Steel Plate can rest on sub-floor but MUST be Level.

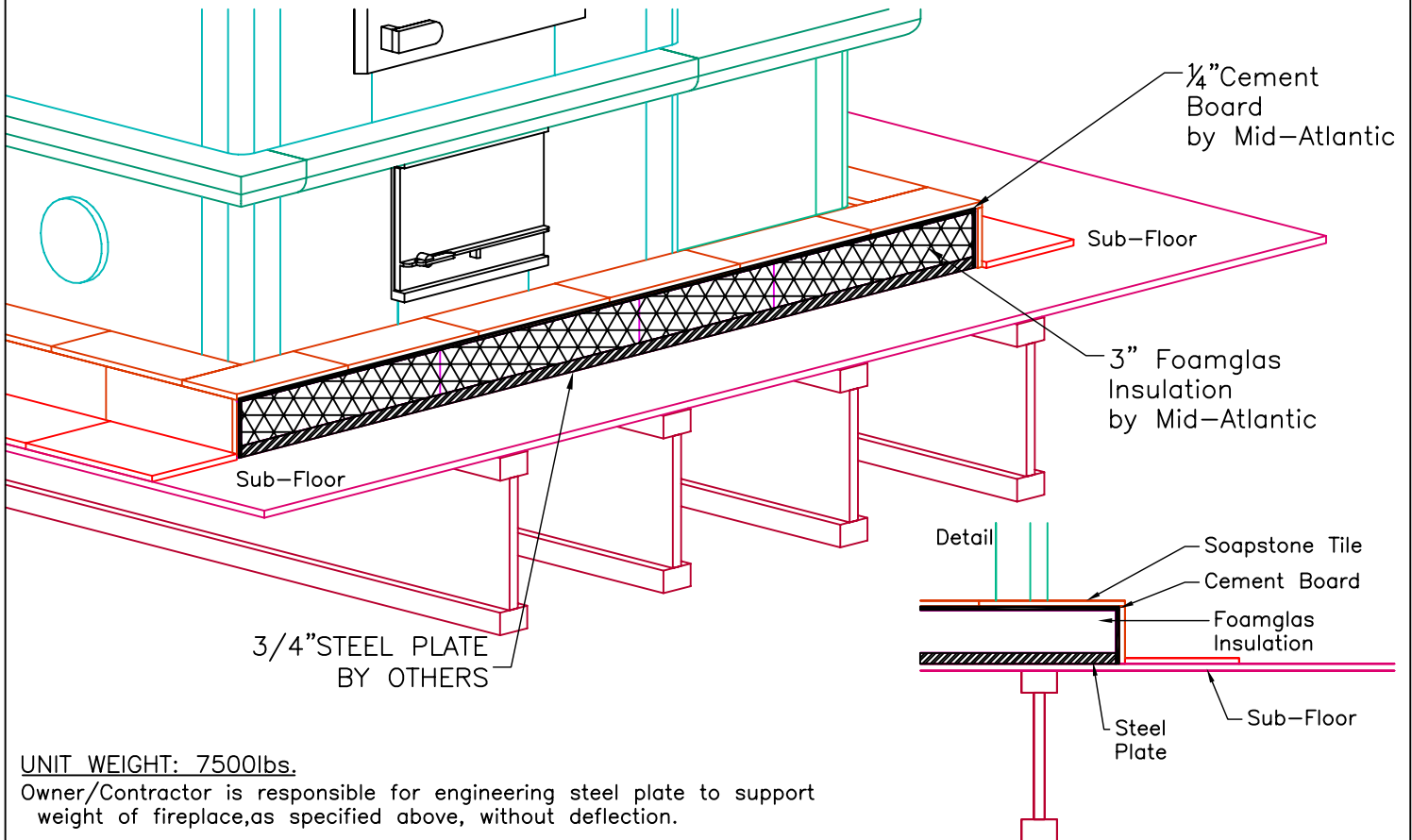


UNIT WEIGHT: 7500lbs.

Owner/Contractor is responsible for engineering steel plate to support weight of fireplace, as specified above, without deflection.

Flue Location:

19 1/2" x 41 1/4" From Lower Right Corner of Steel Plate to CENTER of Flue Pipe.



UNIT WEIGHT: 7500lbs.

Owner/Contractor is responsible for engineering steel plate to support weight of fireplace, as specified above, without deflection.