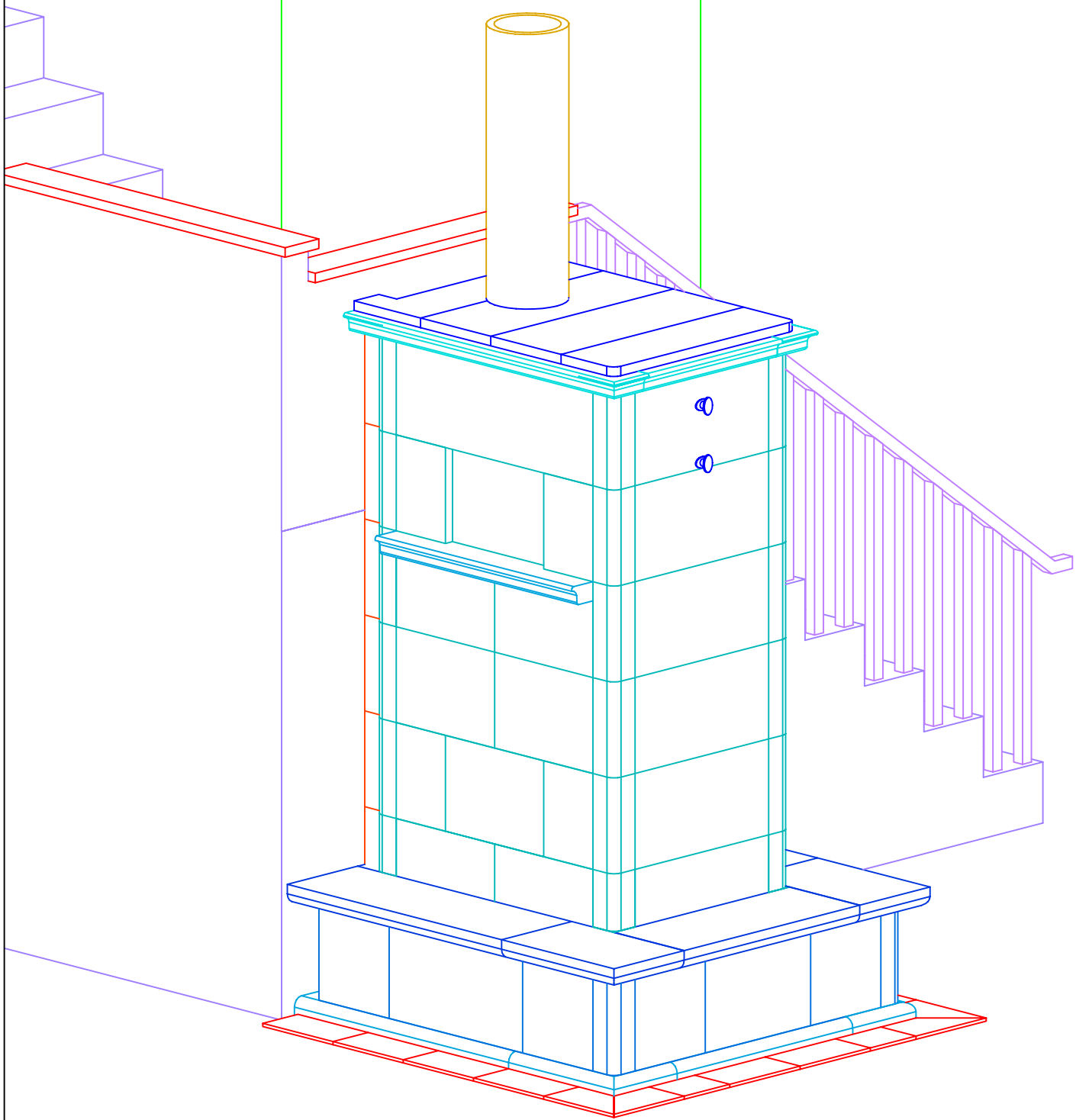



Revision: 1	Date: 7/31/02	By: DP
Revision: 2	Date: 9/5/02	By: DP

# INFORMATION ONLY

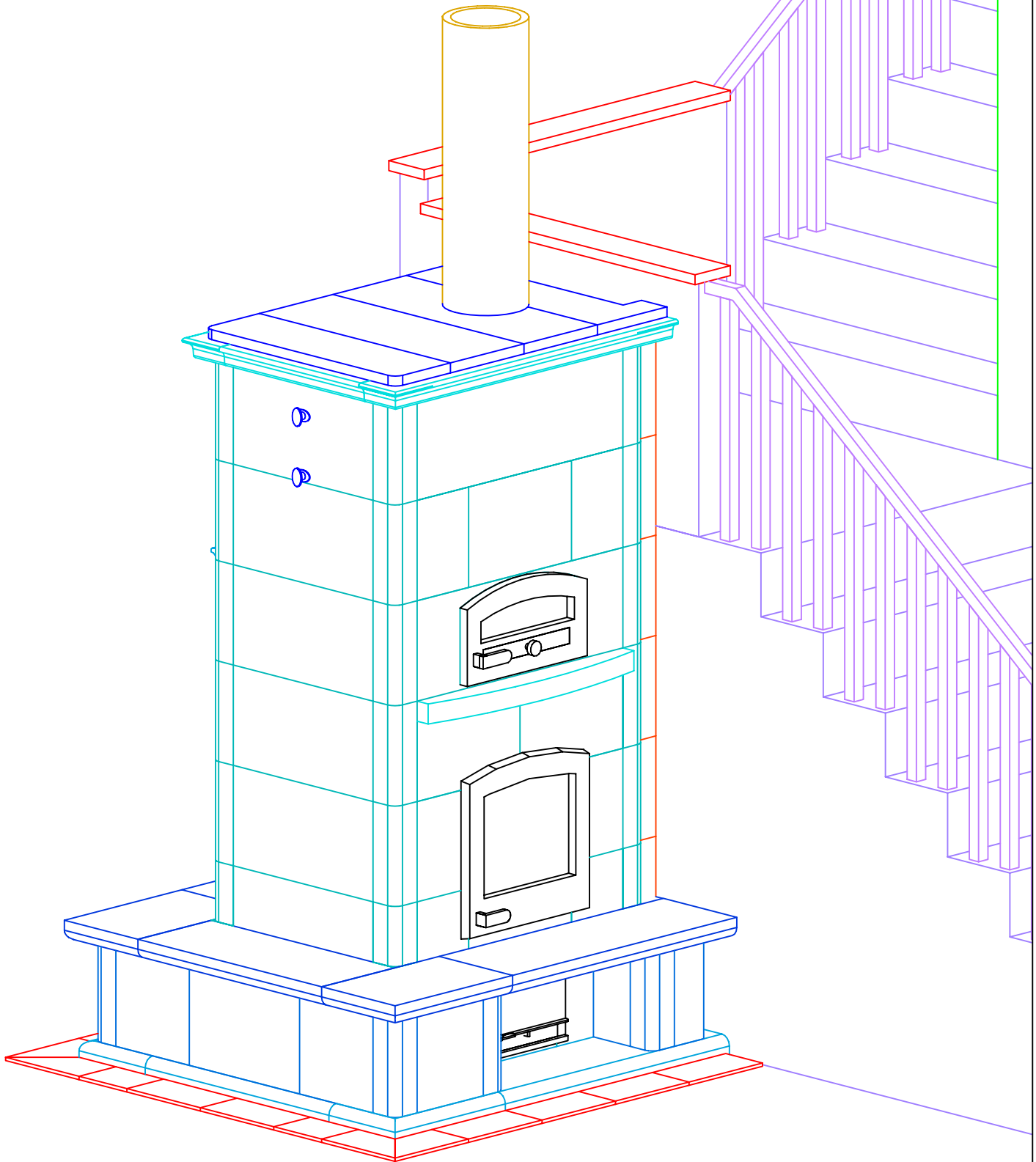


NOTE: Hearth Tiles CUT AND INSTALLED by others


	MID-ATLANTIC MASONRY HEAT McIntire Business Park Charlottesville, VA 22903 (434)979-9709 Fax 434-979-6416	PROJECT	SCHAEFFER	CONTRACT	VIEW	ISOMETRIC	PAGE 1
		MODEL	TTU2700/1	DRAWN BY	D.POWLEY	DATE	

Revision: 1	Date: 7/31/02	By: DP
Revision: 2	Date: 9/5/02	By: DP

# INFORMATION ONLY

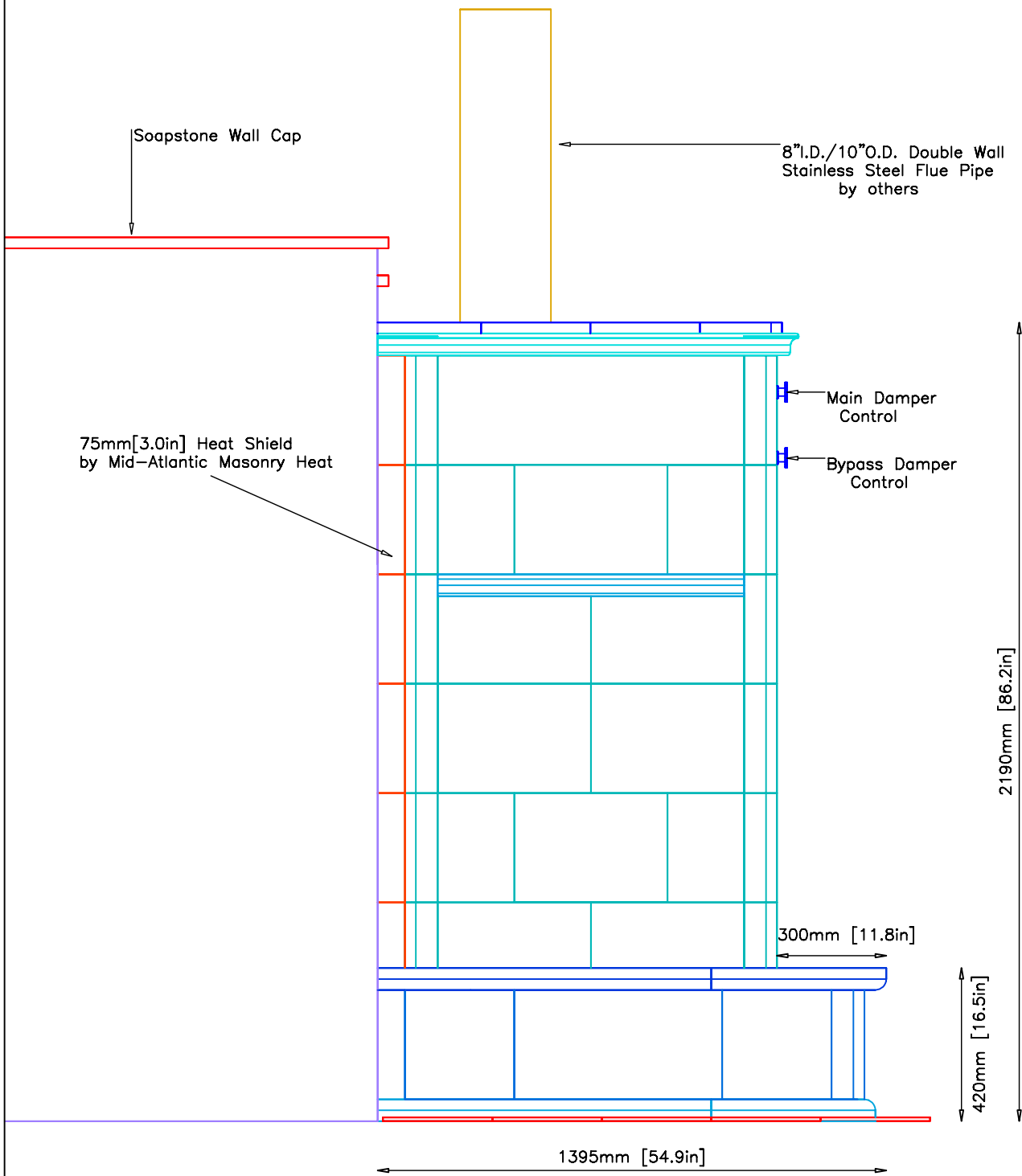


NOTE: Hearth Tiles CUT AND INSTALLED by others

	MID-ATLANTIC MASONRY HEAT McIntire Business Park Charlottesville, VA 22903 (434)979-9709 Fax 434-979-6416	PROJECT SCHAEFFER MODEL TTU2700/1	CONTRACT DRAWN BY D.POWLEY	VIEW ISOMETRIC DATE 7/10/02	PAGE <span style="font-size: 2em;">2</span>
------------------------------------------------------------------------------------	--------------------------------------------------------------------------------------------------------------------	--------------------------------------	-------------------------------	--------------------------------	------------------------------------------------

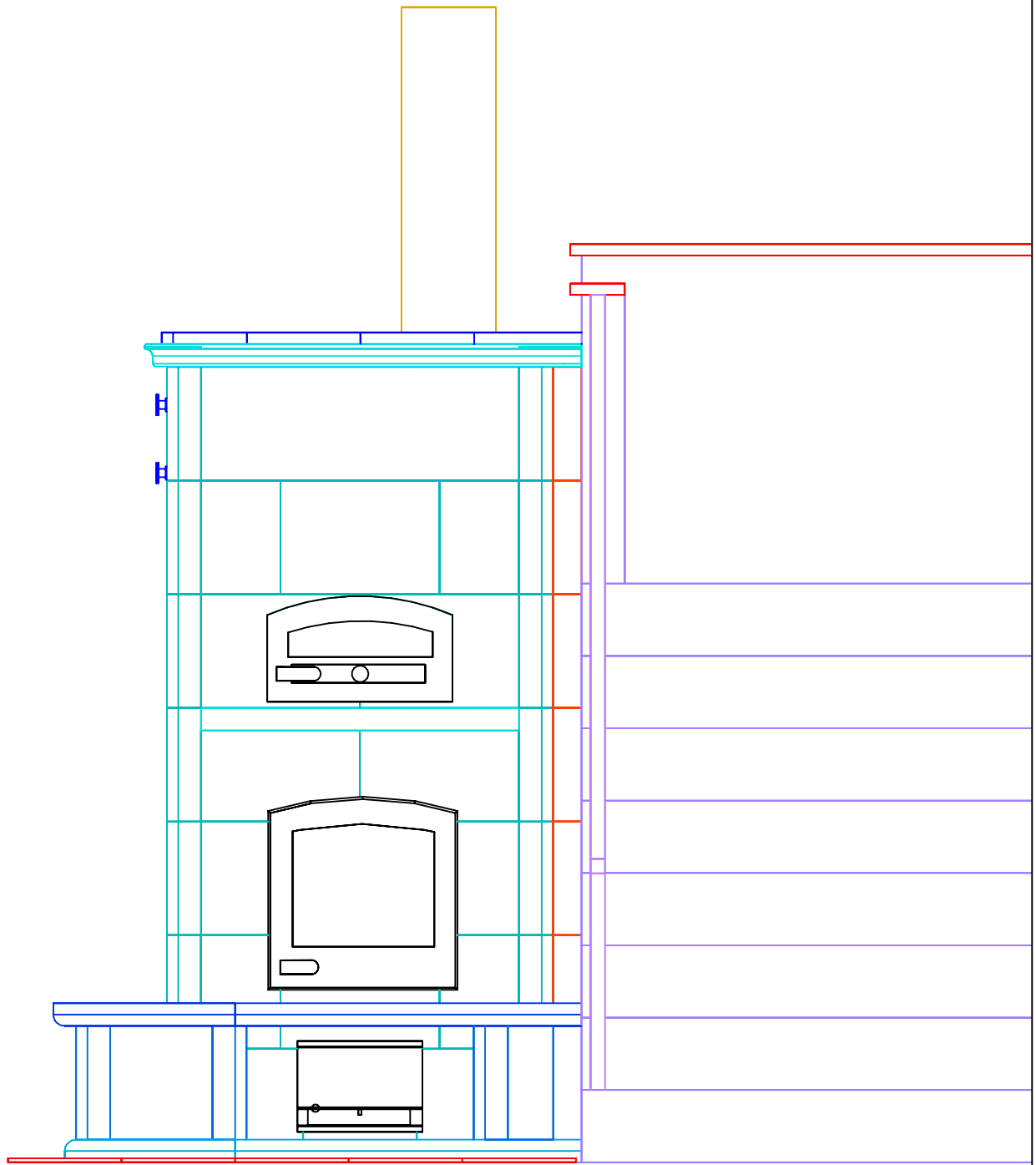
Revision: 1	Date: 7/31/02	By: DP
Revision: 2	Date: 9/5/02	By: DP

# INFORMATION ONLY



Revision: 1	Date: 7/31/02	By: DP
Revision: 2	Date: 9/5/02	By: DP

# INFORMATION ONLY



MID-ATLANTIC MASONRY HEAT  
 McIntire Business Park  
 Charlottesville, VA 22903  
 (434)979-9709 Fax 434-979-6416

PROJECT SCHAEFFER  
 MODEL TTU2700/1

CONTRACT  
 DRAWN BY D.POWLEY

VIEW BAKEOVEN  
 DATE 7/10/02

PAGE 4

Revision: 1	Date: 7/31/02	By: DP
Revision: 2	Date: 9/5/02	By: DP

8" I.D./10" O.D.  
Double Wall  
Stainless Steel  
Flue Pipe  
by others

Soapstone Wall Cap

Main Damper  
Control

Bypass Damper  
Control

Bakeoven

Firedoor

2190mm [86.2in]

1290mm [50.8in]

**INFORMATION ONLY**



MID-ATLANTIC MASONRY HEAT  
McIntire Business Park  
Charlottesville, VA 22903  
(434)979-9709 Fax 434-979-6416

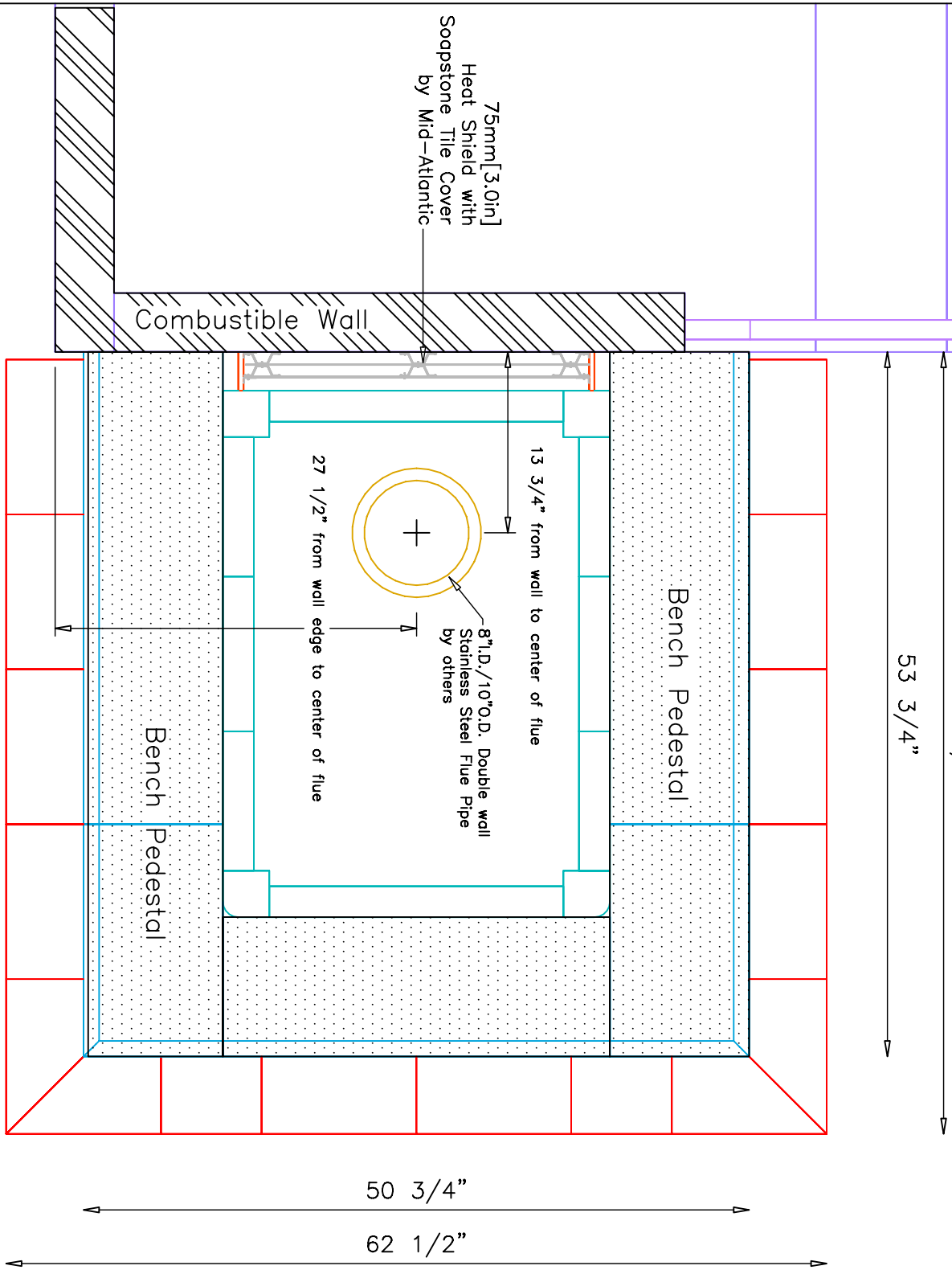
PROJECT SCHAEFFER  
MODEL TTU2700/1

CONTRACT  
DRAWN BY D. POWLEY

VIEW SIDE  
DATE 7/10/02

PAGE 5

Revision: 1	Date: 7/31/02	By: DP
Revision: 2	Date: 9/5/02	By: DP



NOTE: Hearth Tiles CUT AND INSTALLED by others

8" I.D./10" O.D. Double Wall Stainless Steel Flue Pipe (by others) – Pipe centered on fireplace side to side

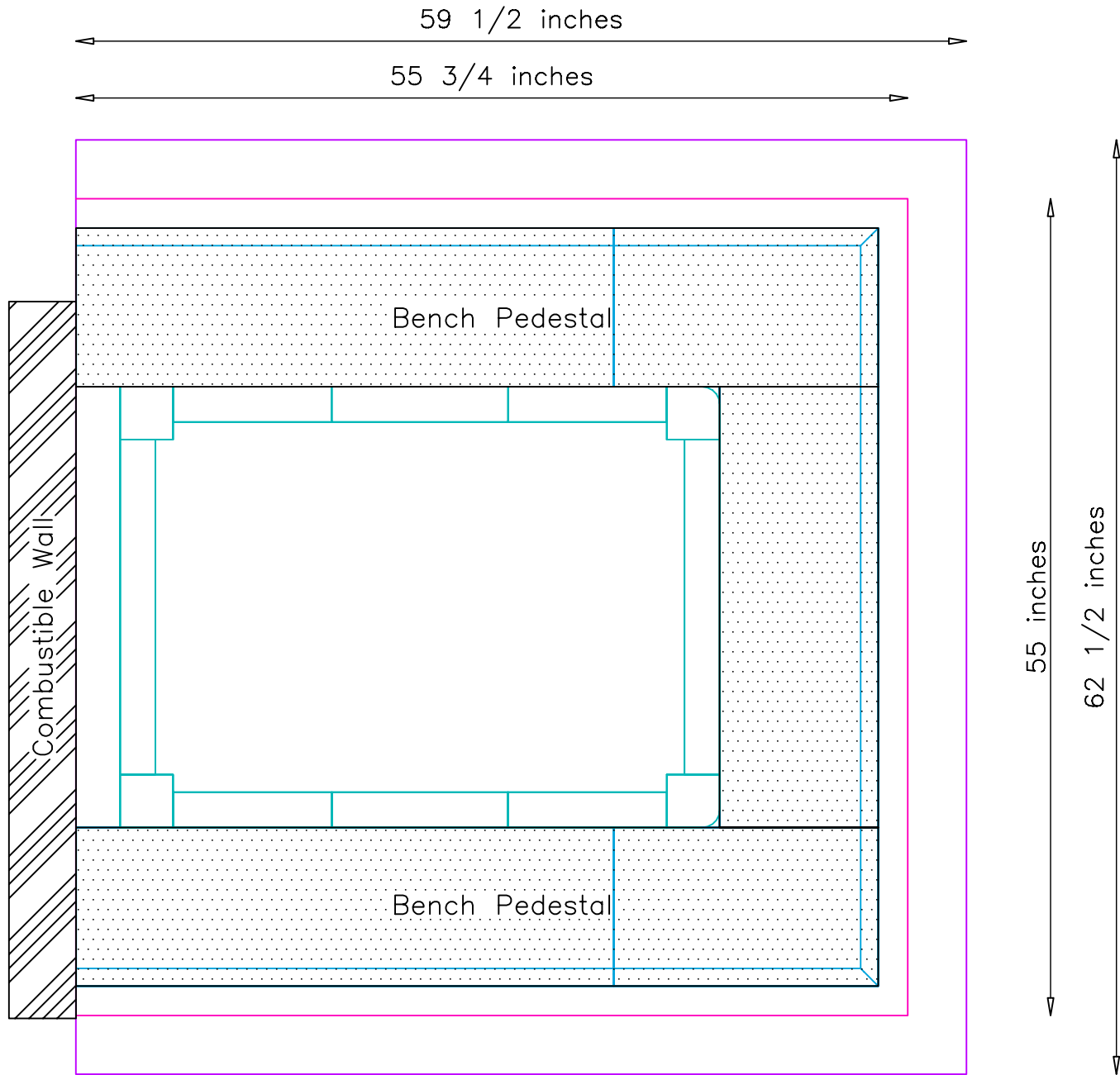
**INFORMATION ONLY**

	MID-ATLANTIC MASONRY HEAT McIntire Business Park Charlottesville, VA 22903 (434)979-9709 Fax 434-979-6416	PROJECT	SCHAEFFER	CONTRACT	VIEW	PLAN	PAGE
		MODEL	TTU2700/1	DRAWN BY	D.POWLEY	DATE	

Revision: 1	Date: 7/31/02	By: DP
Revision: 2	Date: 9/5/02	By: DP

# CAPPING SLAB

Recommended Dimensions: Entire Hearth Area (59 1/2" x 62 1/2")  
 Minimum Dimensions: 2" from Base of Unit (55 3/4" x 55")



NOTE:  
 TOP OF CAPPING SLAB TO BE LEVEL AND FLUSH WITH SUB-FLOOR  
 Tolerances: +/- 1/8" No addition cost to adjust slab  
 +/- 1/4" \$150.00-\$200.00 additional cost to adjust slab  
 +/- 1/2" \$500.00 additional cost to adjust slab

**INFORMATION ONLY**

UNIT WEIGHT: \_\_\_ lbs.  
 Contractor is responsible for engineering capping slab to support weight of fireplace.



MID-ATLANTIC MASONRY HEAT  
 McIntire Business Park  
 Charlottesville, VA 22903  
 (434)979-9709 Fax 434-979-6416

PROJECT SCHAEFFER  
 MODEL TTU2700/1

CONTRACT  
 DRAWN BY D.POWLEY

VIEW SUPPORT  
 DATE 7/10/02

PAGE 7