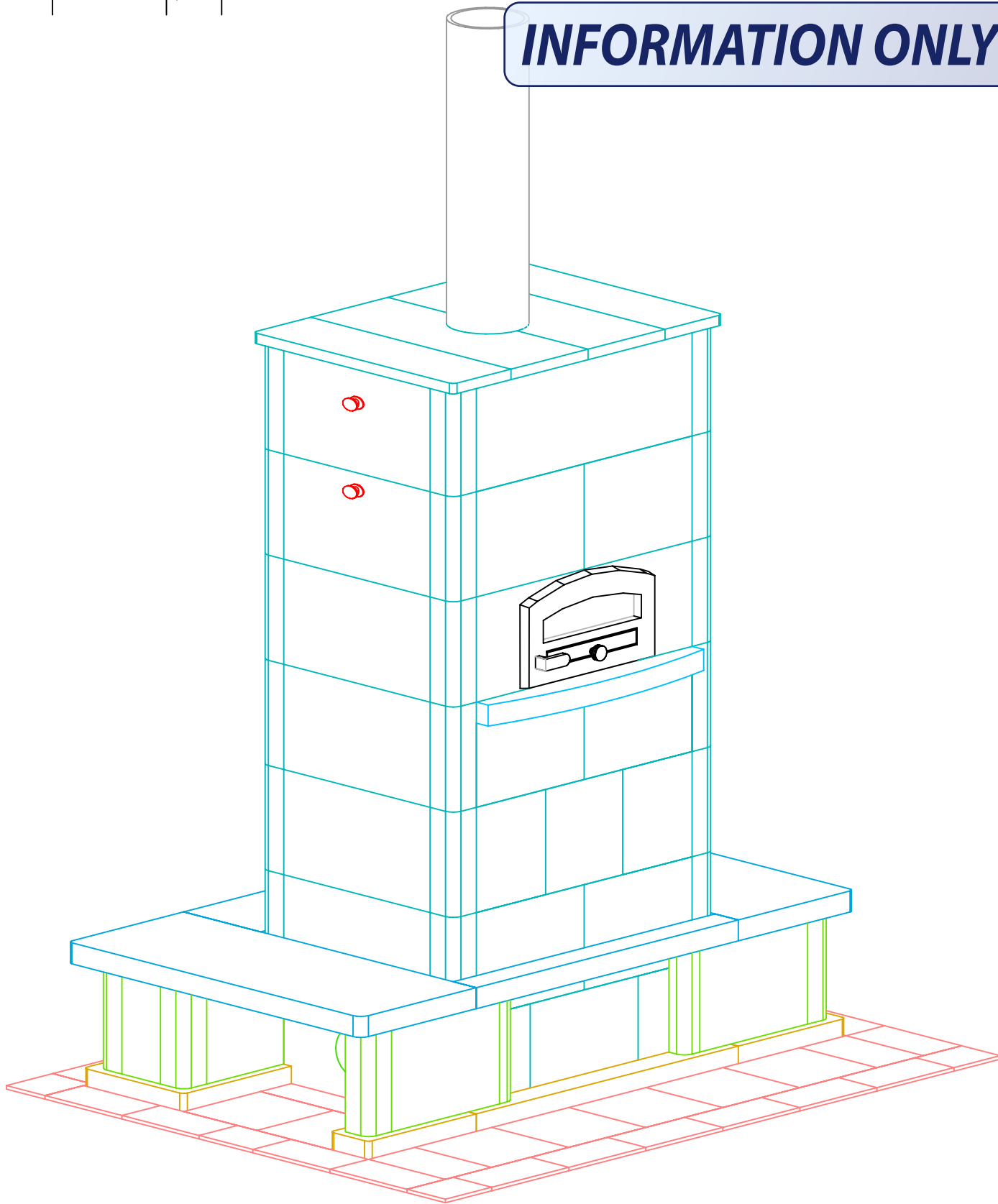


INFORMATION ONLY



NOTE: HEARTH TILES CUT AND INSTALLED BY OTHERS



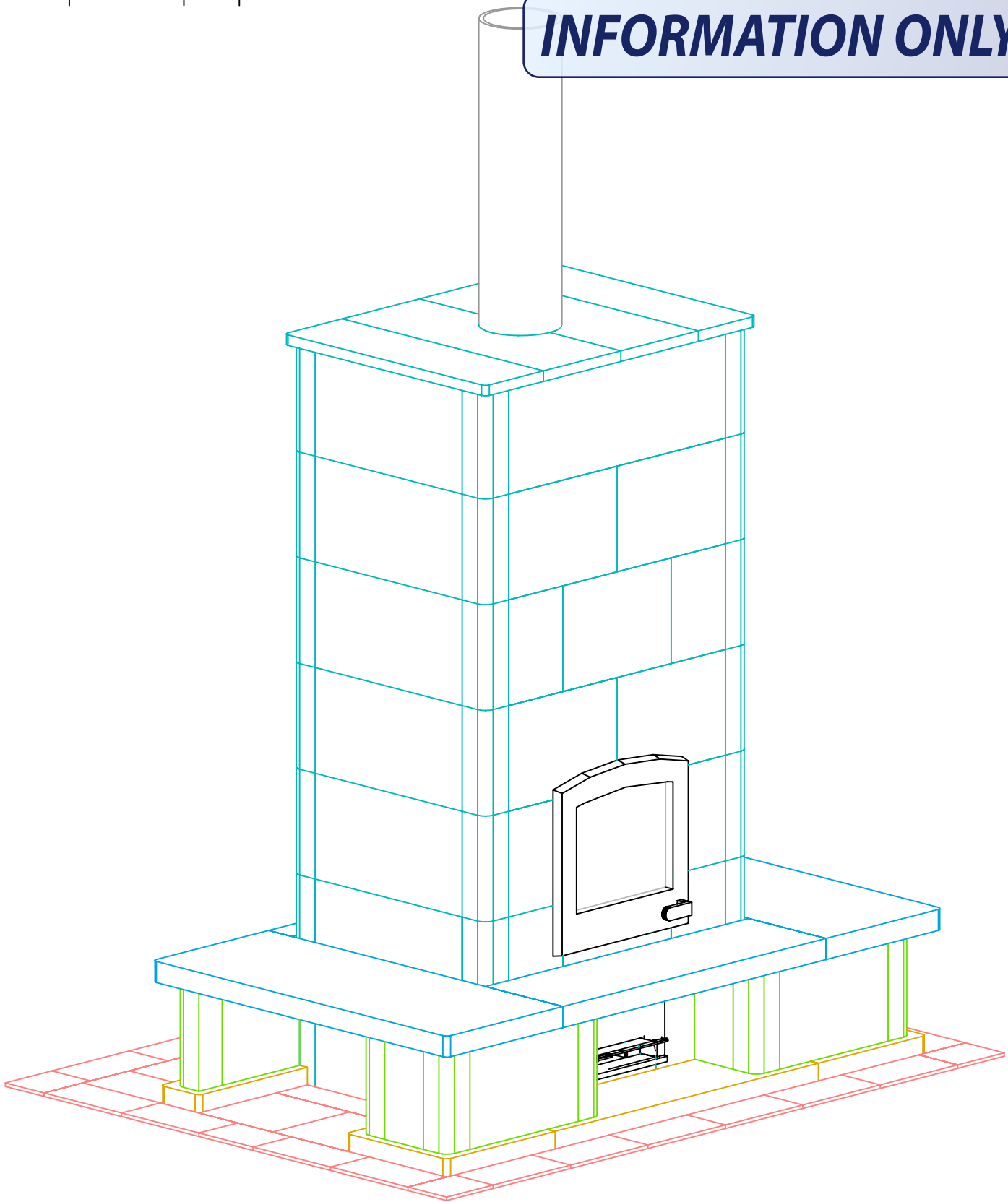
MID-ATLANTIC MASONRY HEAT
McIntire Business Park
Charlottesville, VA 22903
(434)979-9709 Fax 434-979-6416

PROJECT VONDERBECKE
MODEL TU2700/5

VIEW ISOMETRIC
DRAWN BY D.POWLEY
DATE 12/4/01

PAGE 1

INFORMATION ONLY



NOTE: HEARTH TILES CUT AND INSTALLED BY OTHERS



MID-ATLANTIC MASONRY HEAT
McIntire Business Park
Charlottesville, VA 22903
(434)979-9709 Fax 434-979-6416

PROJECT VONDERBECKE
MODEL TU2700/5

VIEW ISOMETRIC
DRAWN BY D.POWLEY
DATE 12/4/01

PAGE

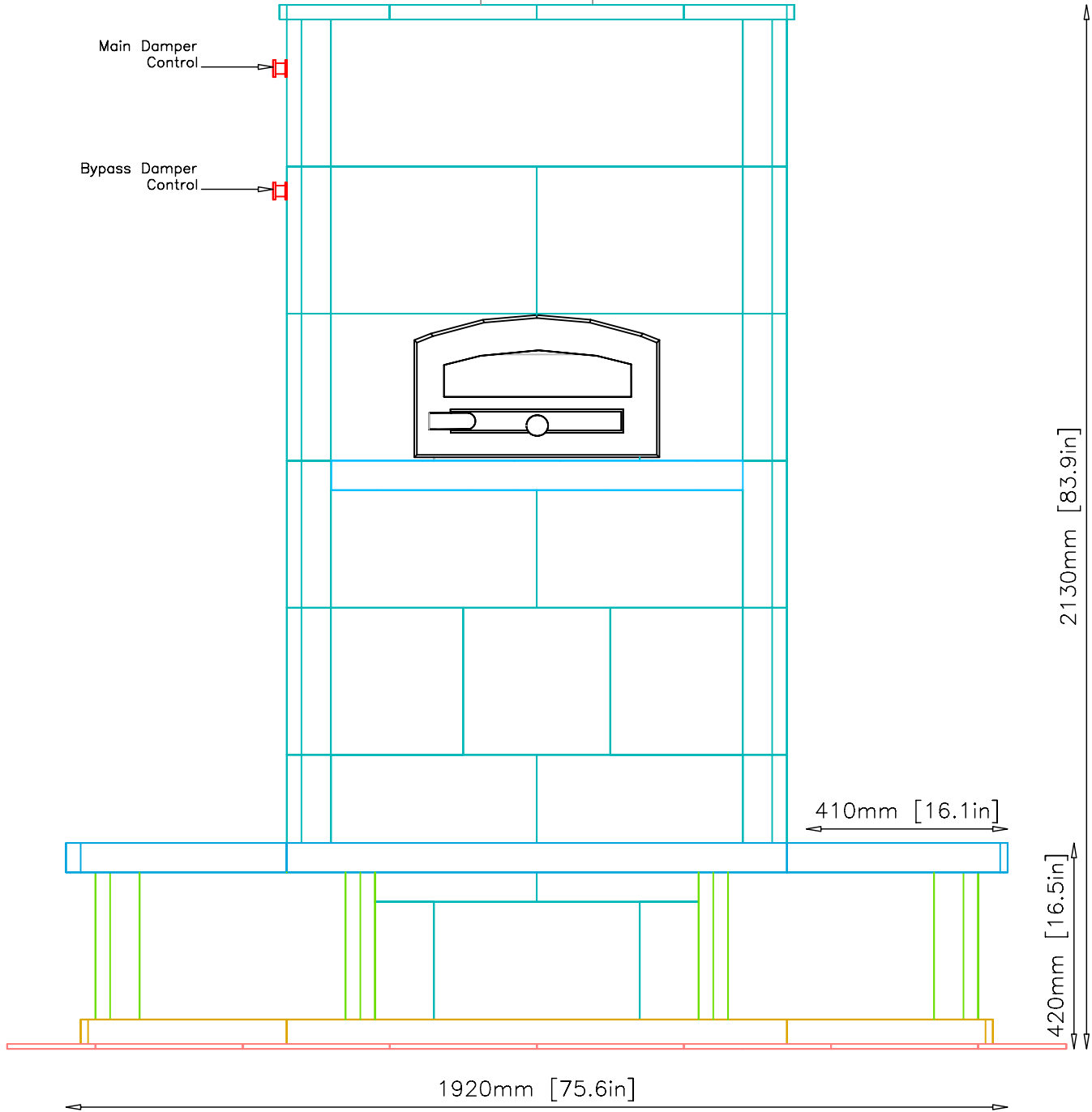
2

INFORMATION ONLY

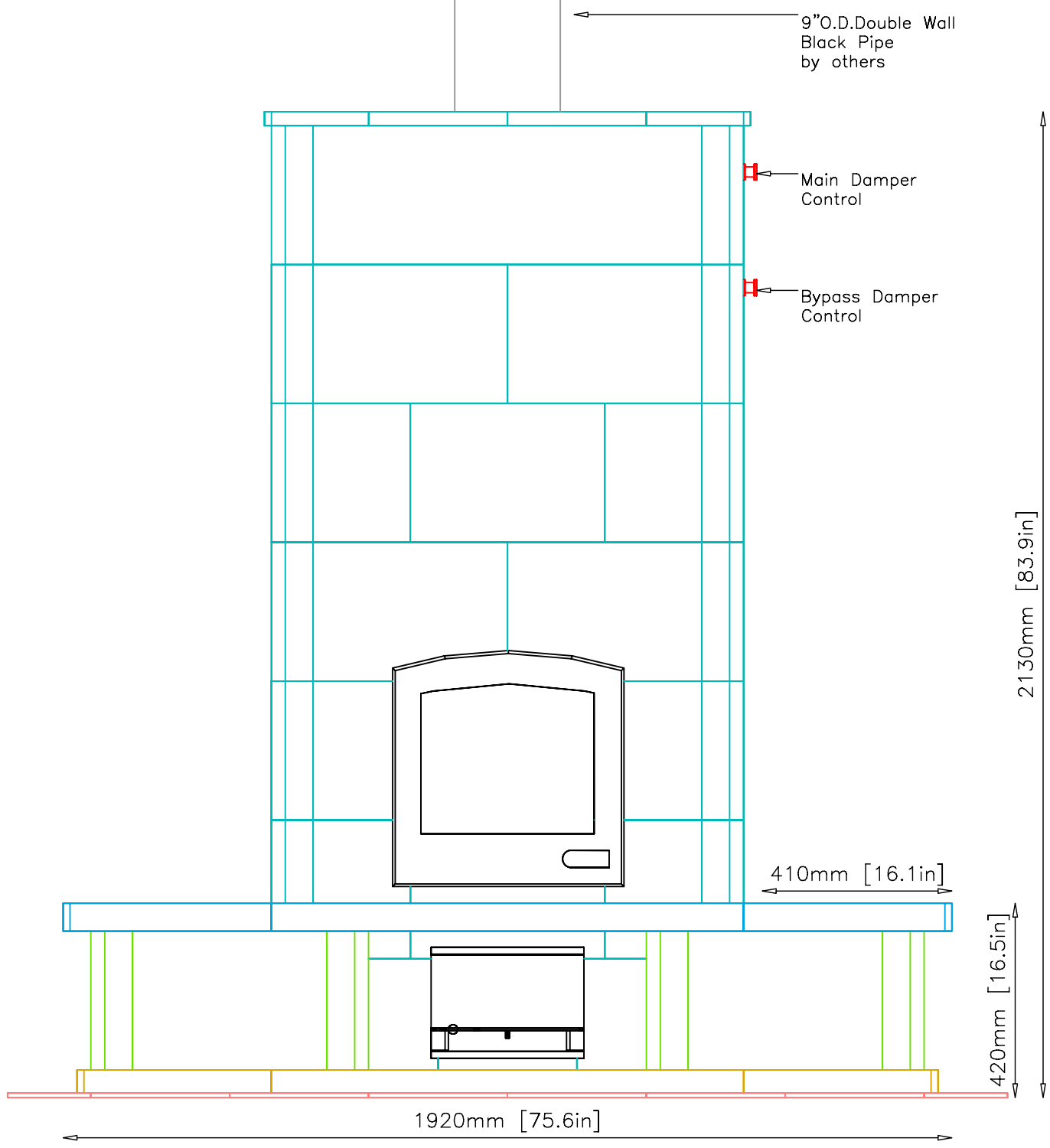
9"O.D. Double Wall
Black Pipe
by others

Main Damper
Control

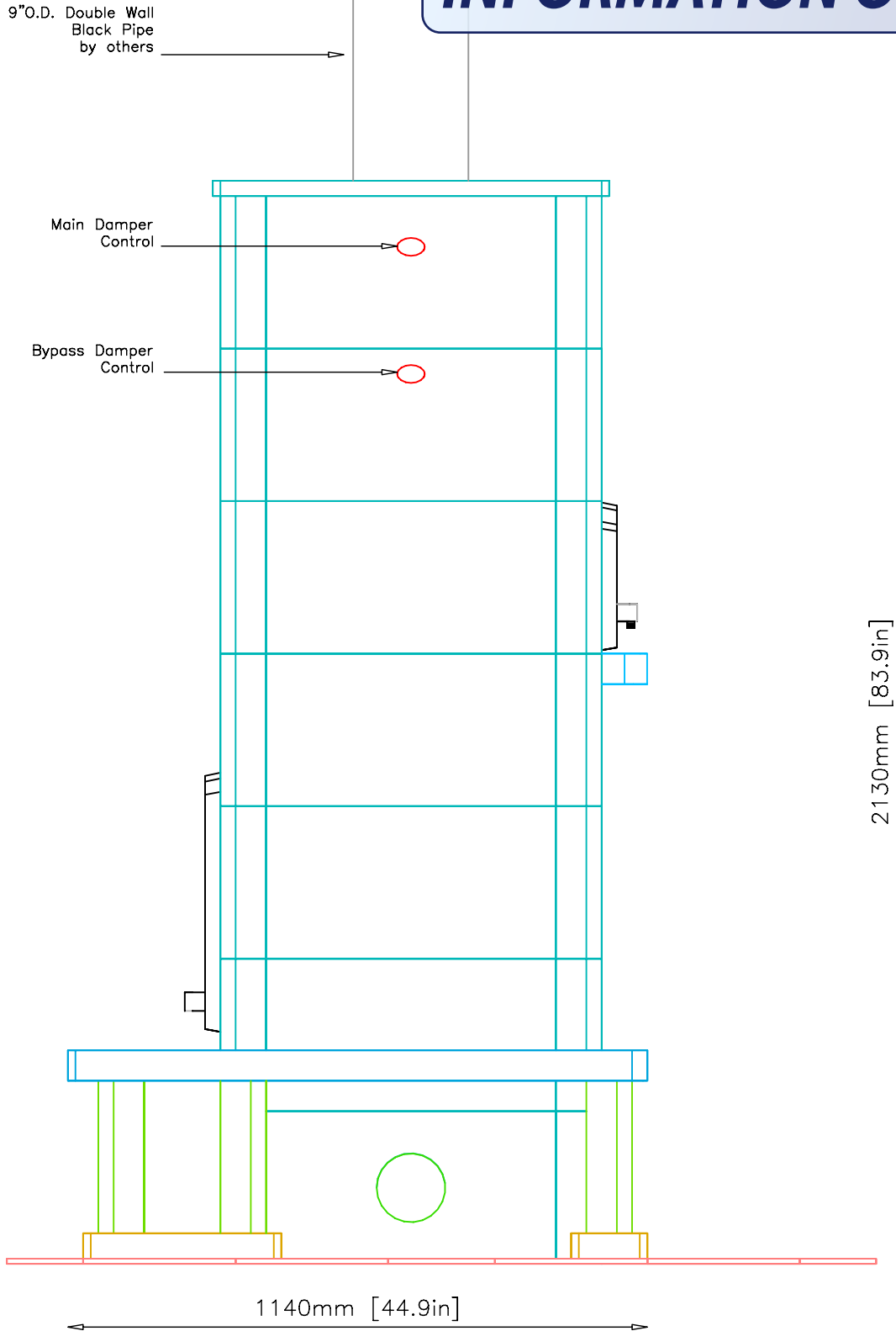
Bypass Damper
Control



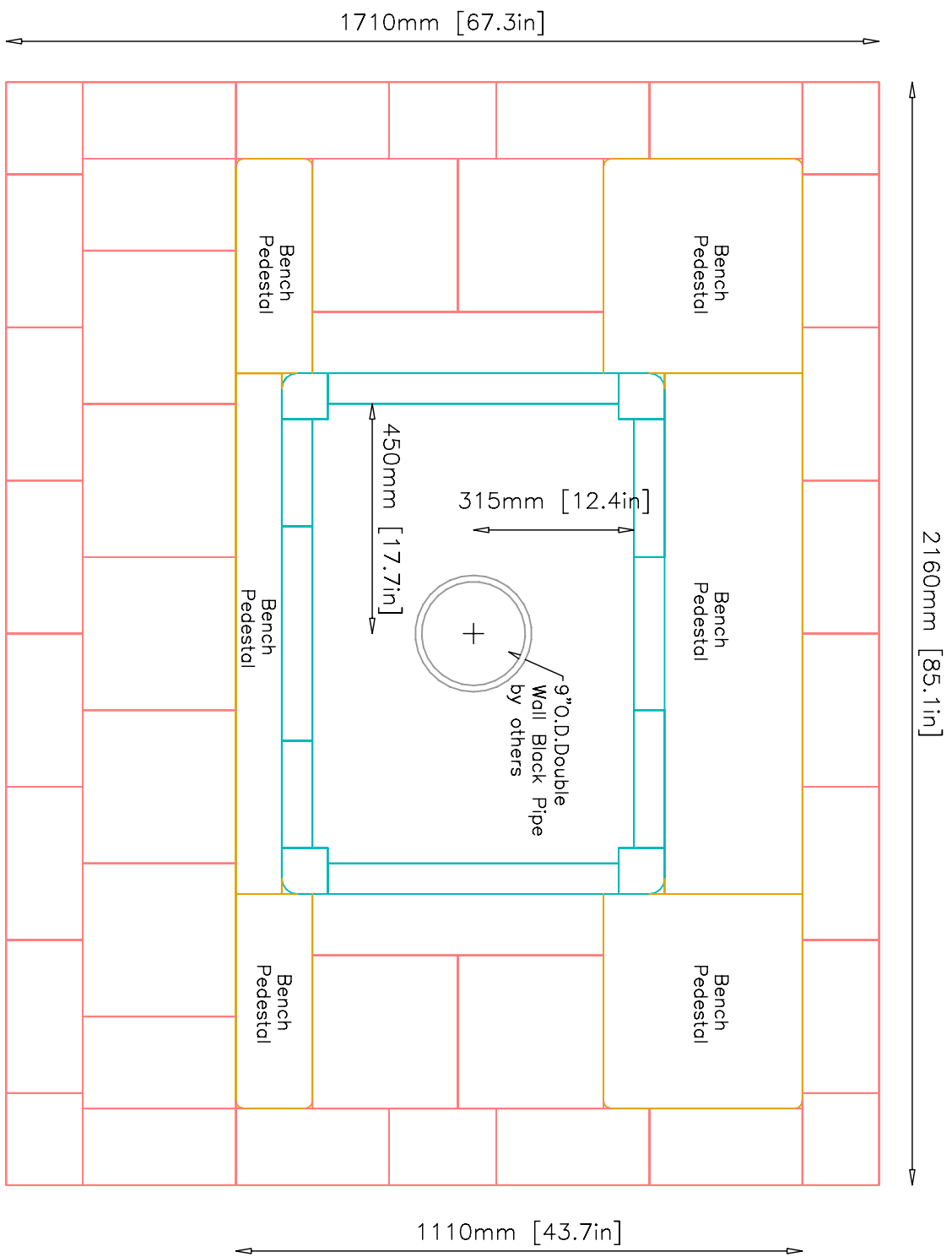
INFORMATION ONLY



INFORMATION ONLY



INFORMATION ONLY



NOTE: HEARTH TILES CUT AND INSTALLED BY OTHERS

FLOOR PLAN

INFORMATION ONLY

