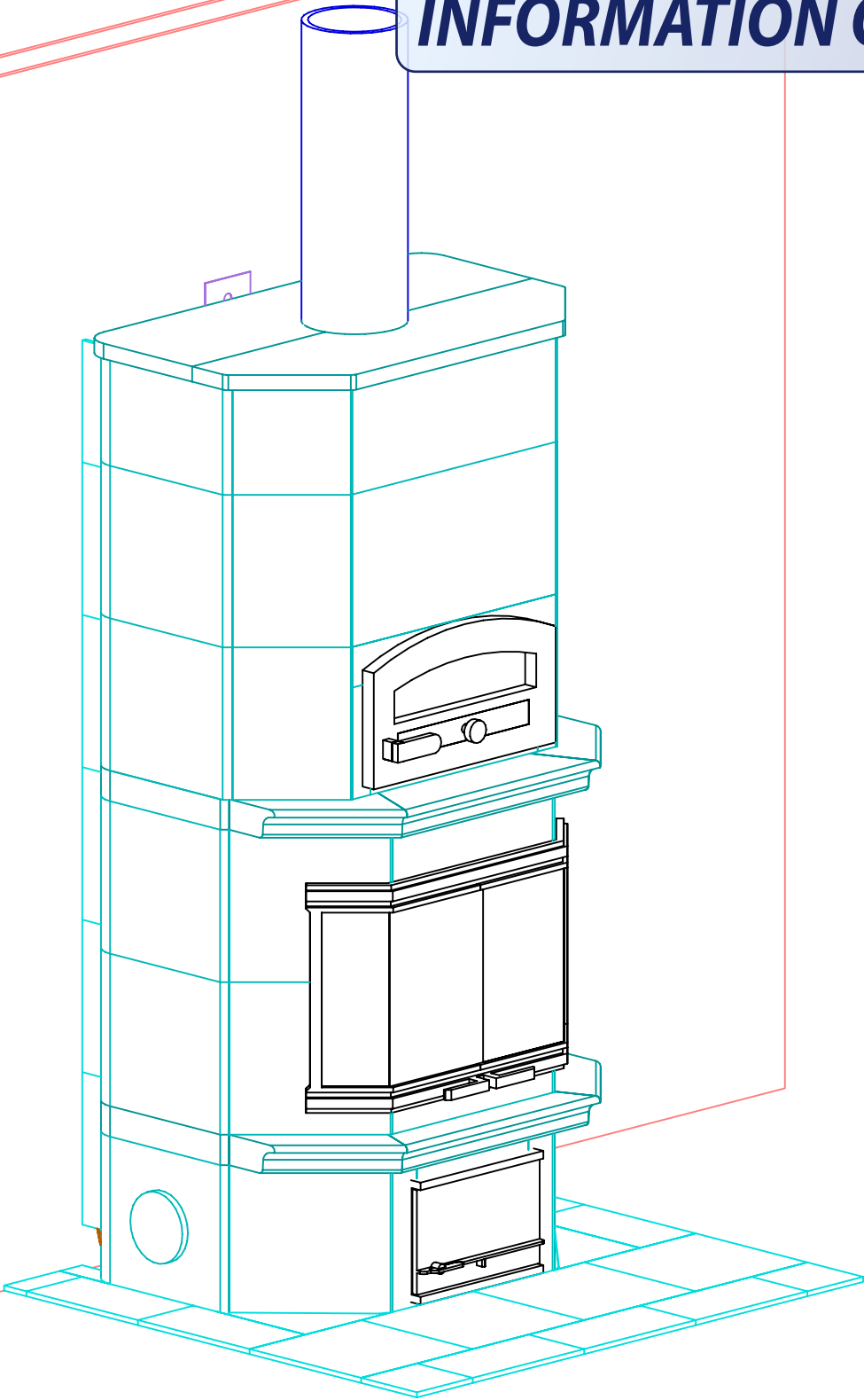


# INFORMATION ONLY



NOTE: Hearth Tiles CUT AND INSTALLED by others



MID-ATLANTIC MASONRY HEAT  
1229 Harris Street Suite 1  
Charlottesville, VA 22903  
(434)979-9709 Fax 434-979-6416

PROJECT MANESS  
MODEL TLU1530

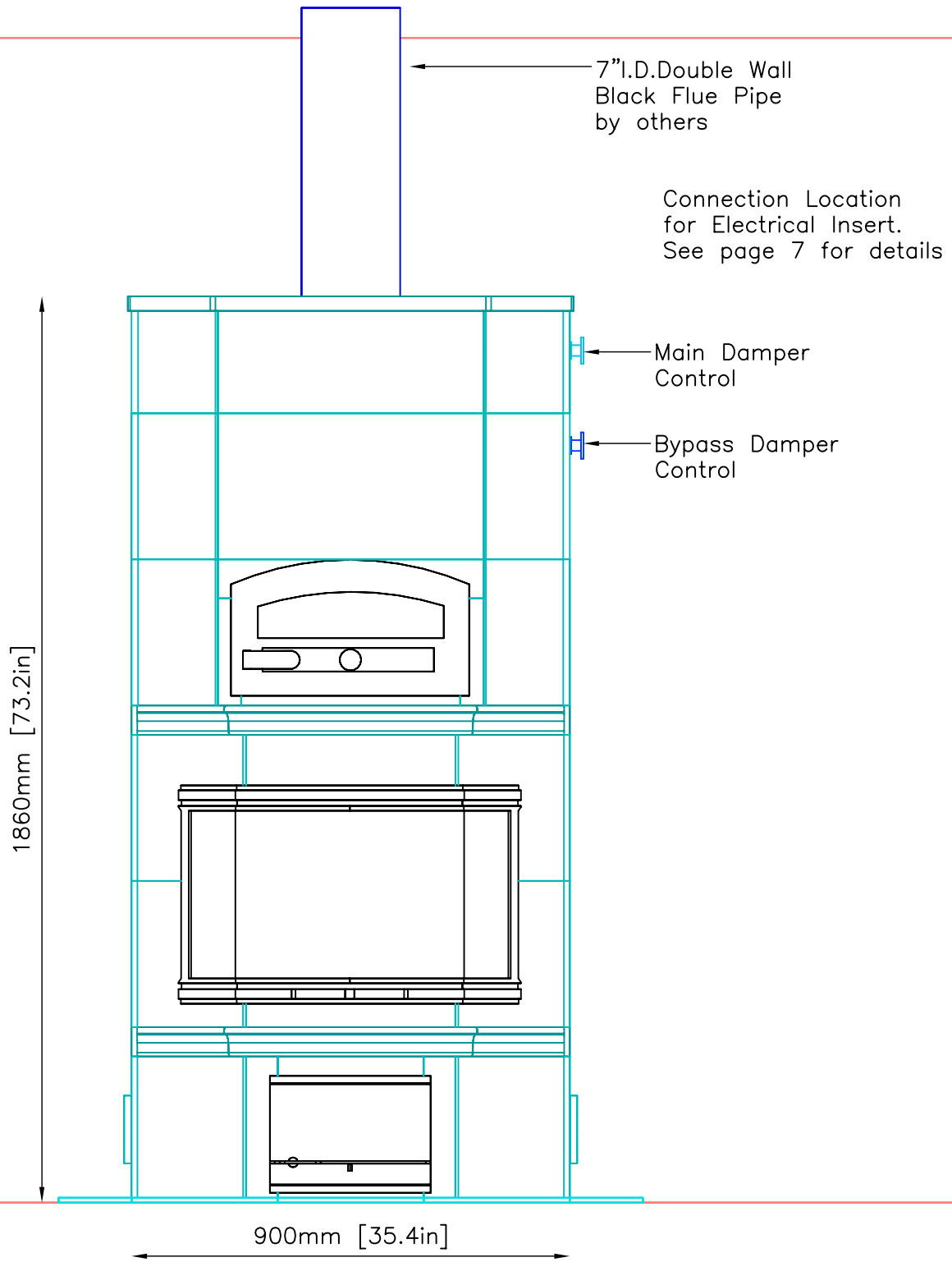
CONTRACT 5670  
DRAWN BY D.P.BYRAM

VIEW PERSPECTIVE  
DATE 9/14/04

PAGE 1

FRONT VIEW

# INFORMATION ONLY



NOTE: Hearth Tiles CUT AND INSTALLED by others



MID-ATLANTIC MASONRY HEAT  
1229 Harris Street Suite 1  
Charlottesville, VA 22903  
(434)979-9709 Fax 434-979-6416

PROJECT MANESS  
MODEL TLU1530

CONTRACT 5670  
DRAWN BY D.P.BYRAM

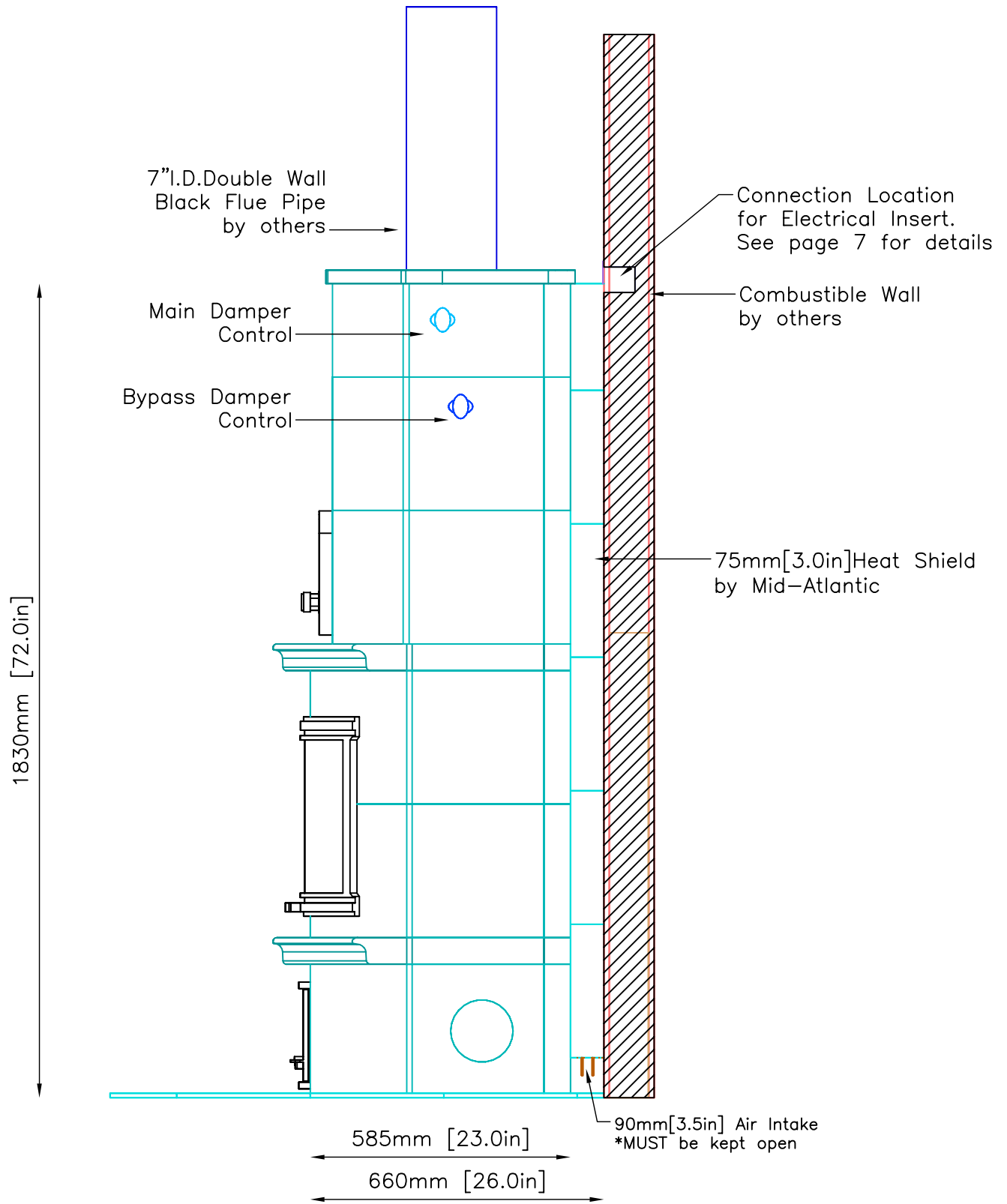
VIEW FRONT  
DATE 9/14/04

PAGE

2

SIDE VIEW

# INFORMATION ONLY



NOTE: Hearth Tiles CUT AND INSTALLED by others



MID-ATLANTIC MASONRY HEAT  
1229 Harris Street Suite 1  
Charlottesville, VA 22903  
(434)979-9709 Fax 434-979-6416

PROJECT MANESS  
MODEL TLU1530

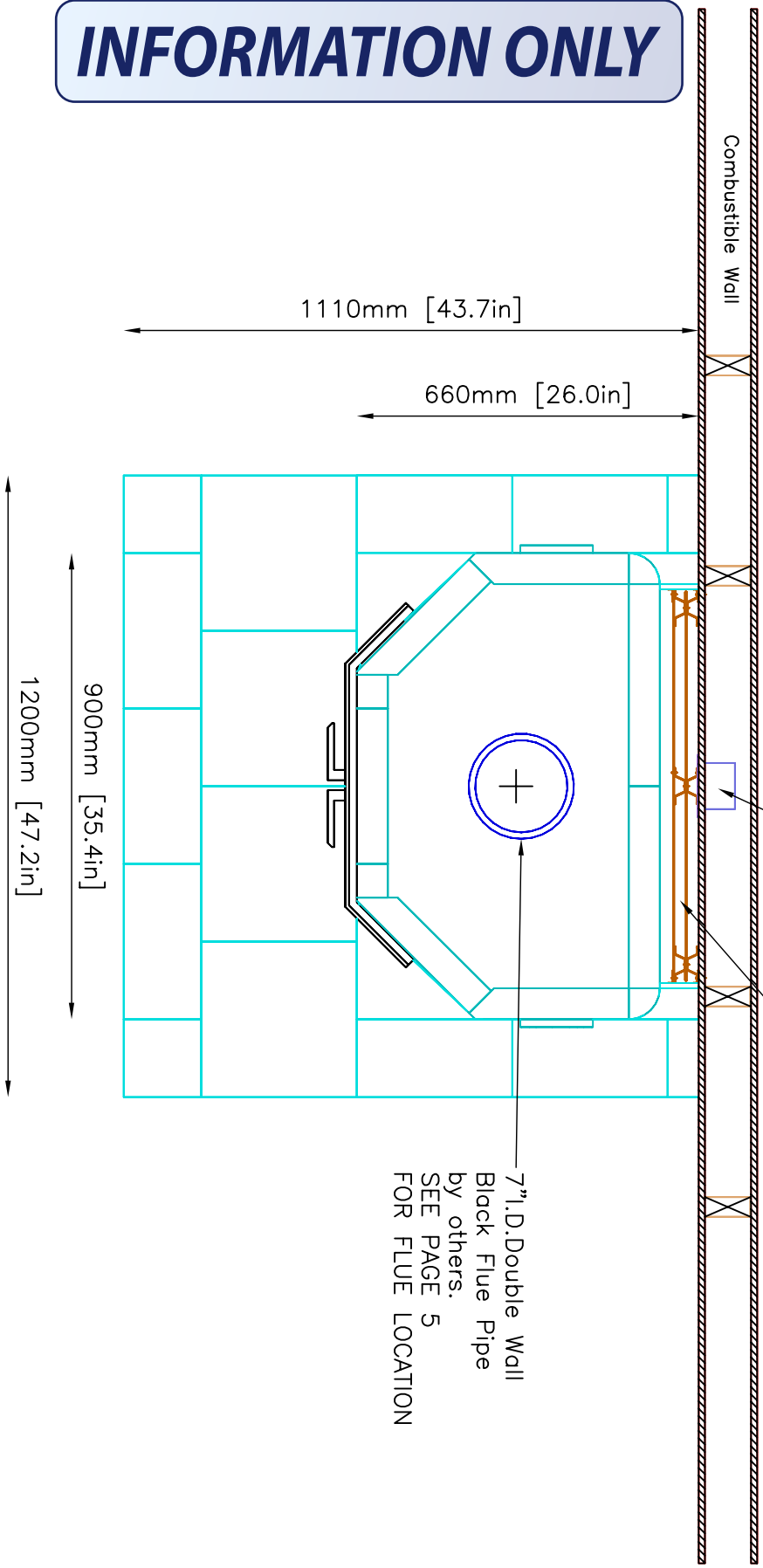
CONTRACT 5670  
DRAWN BY D.P.BYRAM

VIEW SIDE  
DATE 9/14/04

PAGE 3

Note:  
 Connection for Electrical Insert:  
 Located at top of Heat Shield.  
 Contractor is responsible for  
 wiring and connection box in  
 wall.

**INFORMATION ONLY**



NOTE: Hearth Tiles CUT AND INSTALLED by others