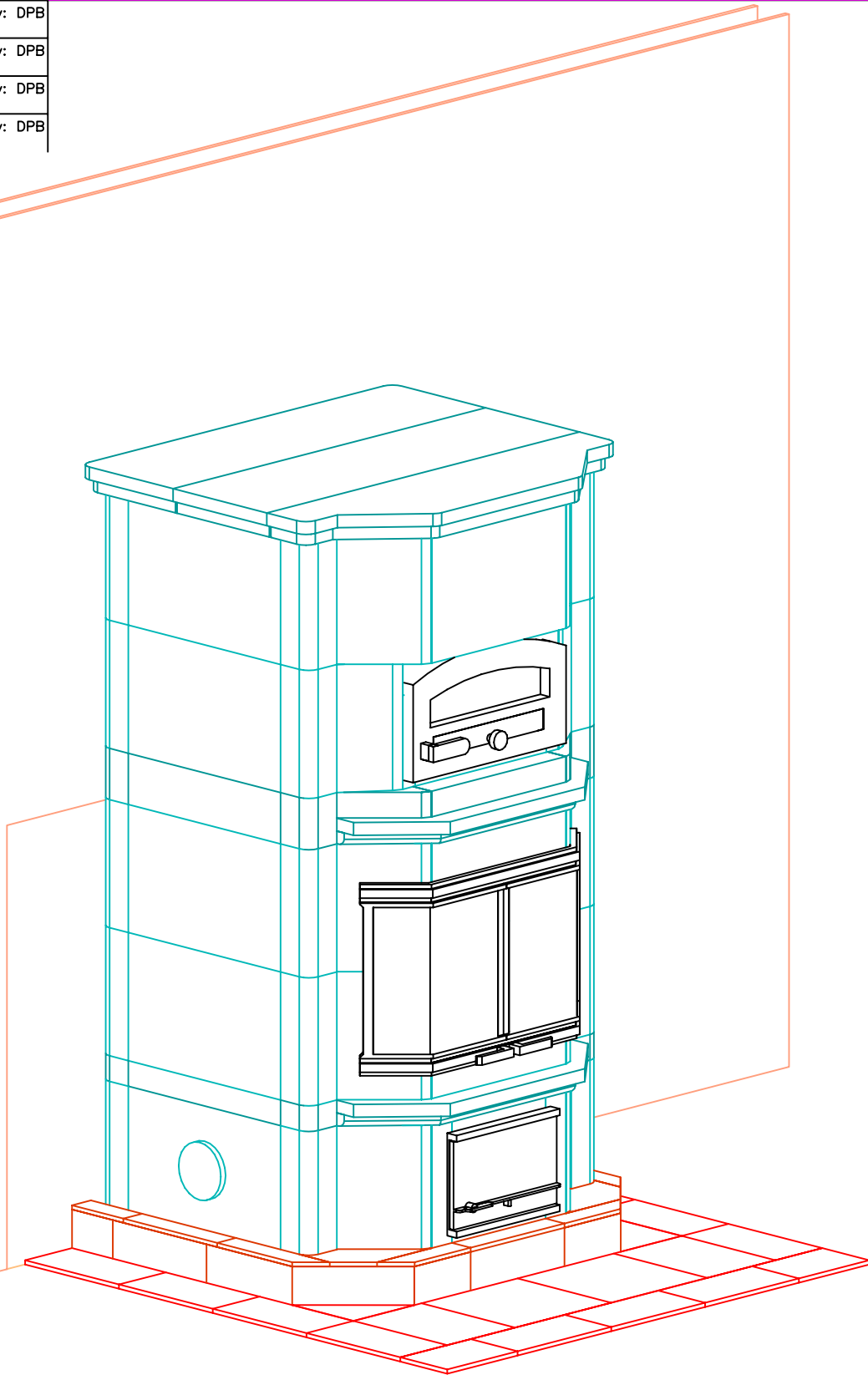



| | | |
|-------------|----------------|---------|
| Revision: 1 | Date: 7/31/03 | By: DPB |
| Revision: 2 | Date: 8/21/03 | By: DPB |
| Revision: 3 | Date: 10/15/03 | By: DPB |
| Revision: 4 | Date: 10/17/03 | By: DPB |



INFORMATION ONLY

NOTE: Hearth Tiles CUT AND INSTALLED by others

| | | | | | |
|---|--|----------------------------|----------------------------|---|------|
| TULIKIVI  | MID-ATLANTIC MASONRY HEAT 1229 Harris Street Suite 1 Charlottesville, VA 22903 (434)979-9709 Fax 434-979-6416 | PROJECT | CONTRACT | VIEW | PAGE |
| | | LASETER MODEL TLU1830/1 | 5413 DRAWN BY D.P.BYRAM | PERSPECTIVE DATE: Original Drawings 6/12/03 | |

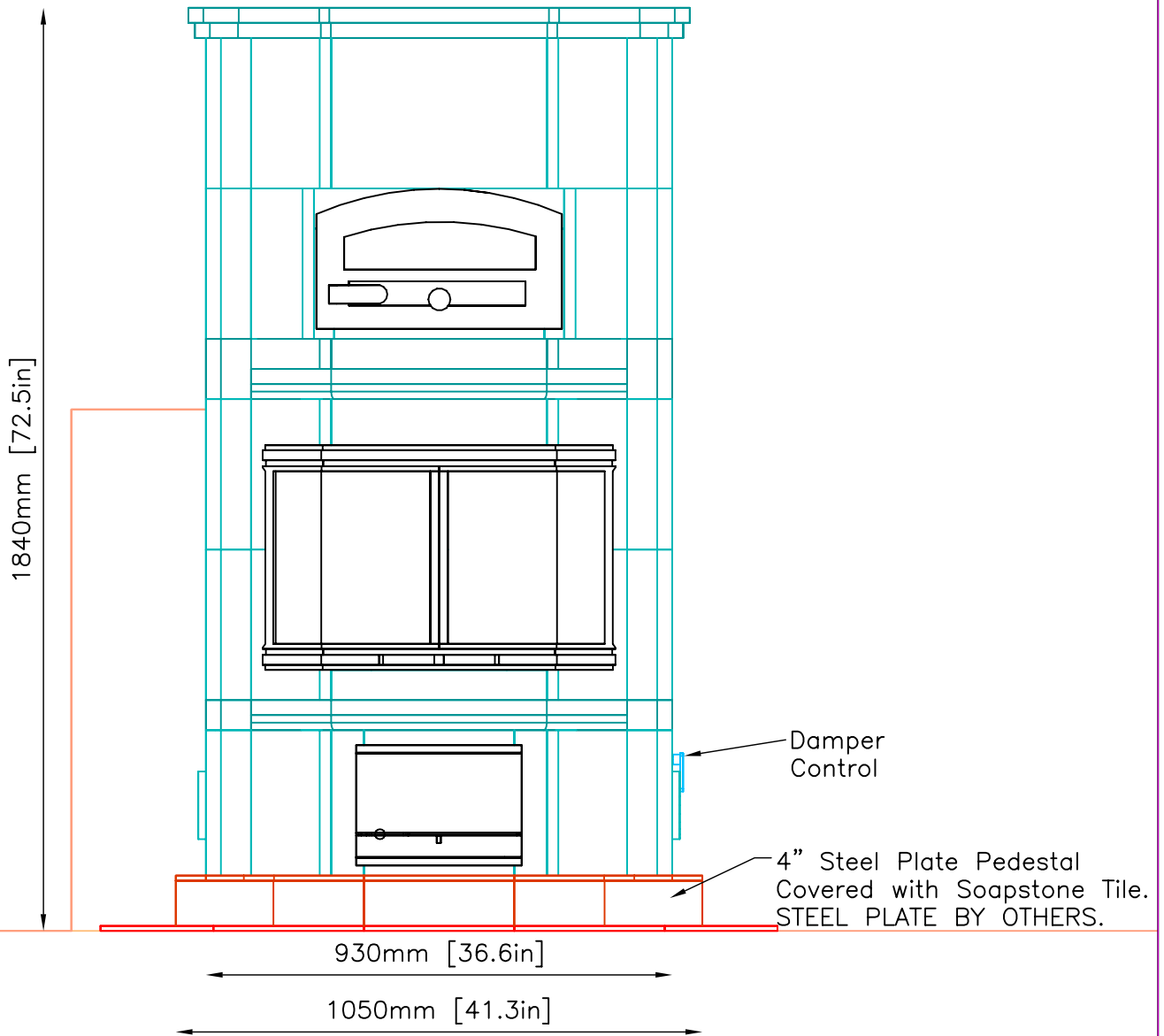
| | | |
|-------------|----------------|---------|
| Revision: 1 | Date: 7/31/03 | By: DPB |
| Revision: 2 | Date: 8/21/03 | By: DPB |
| Revision: 3 | Date: 10/15/03 | By: DPB |
| Revision: 4 | Date: 10/17/03 | By: DPB |

FRONT VIEW

INFORMATION ONLY

Existing Wall
Flagstone over Brick
as specified by customer.

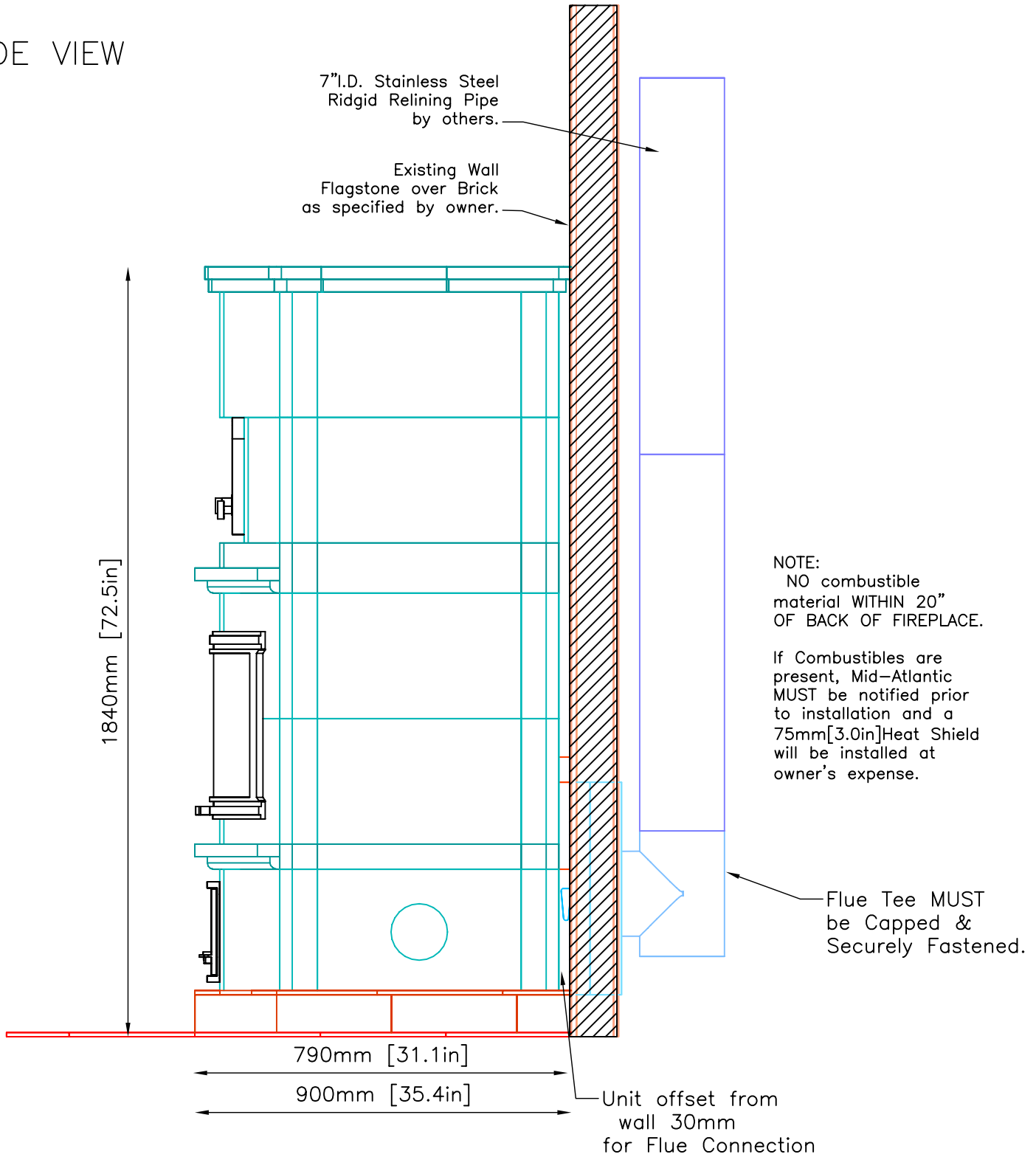
Note: NO Combustible
Materials WITHIN 10" of
TOP of Fireplace.



| | | |
|-------------|----------------|---------|
| Revision: 1 | Date: 7/31/03 | By: DPB |
| Revision: 2 | Date: 8/21/03 | By: DPB |
| Revision: 3 | Date: 10/15/03 | By: DPB |
| Revision: 4 | Date: 10/17/03 | By: DPB |

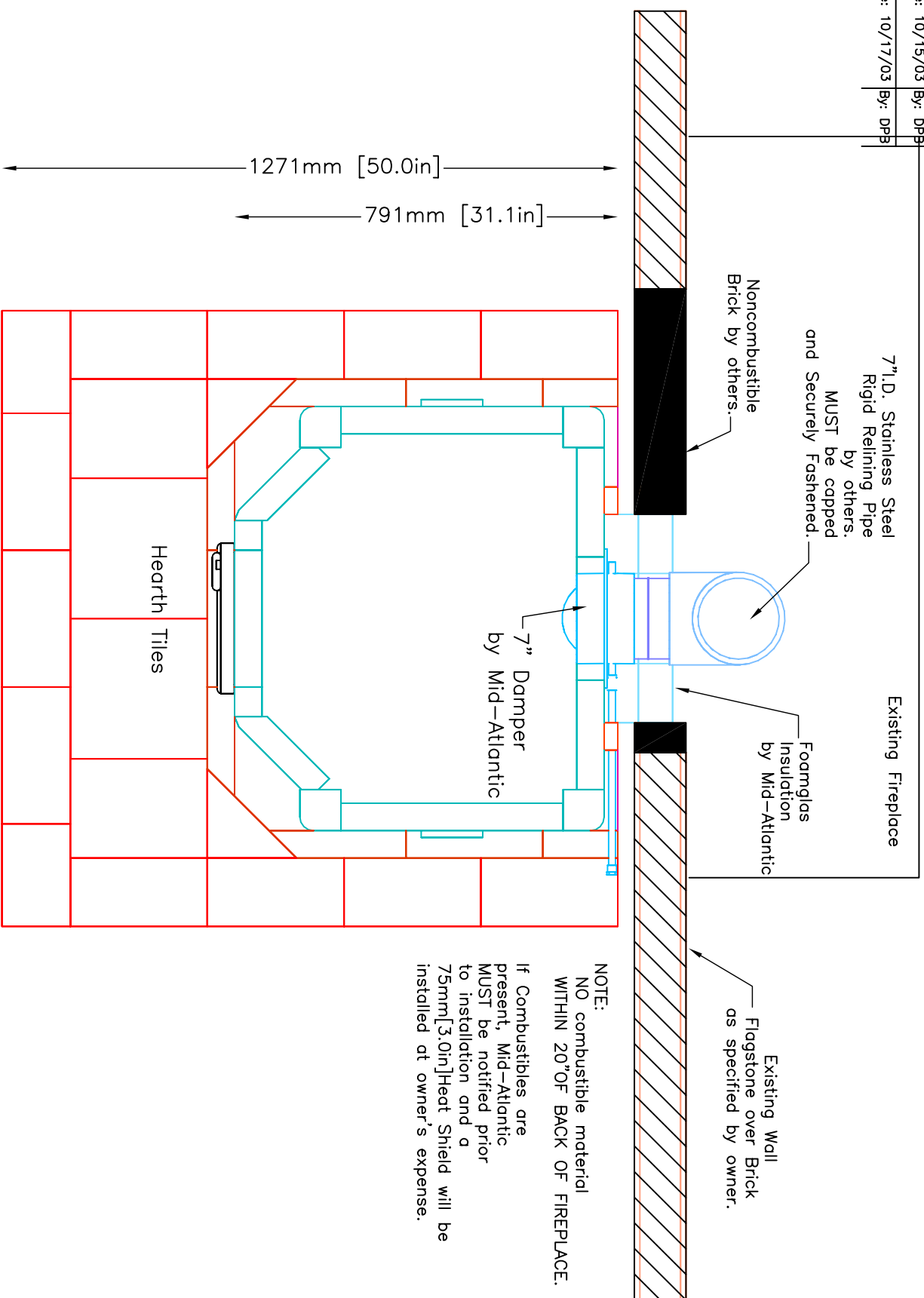
INFORMATION ONLY

SIDE VIEW



| | | |
|-------------|----------------|---------|
| Revision: 1 | Date: 7/31/03 | By: DPB |
| Revision: 2 | Date: 8/21/03 | By: DPB |
| Revision: 3 | Date: 10/15/03 | By: DPB |
| Revision: 4 | Date: 10/17/03 | By: DPB |

PLAN VIEW



NOTE:
NO combustible material WITHIN 20" OF BACK OF FIREPLACE.
If Combustibles are present, Mid-Atlantic MUST be notified prior to installation and a 75mm [3.0in] Heat Shield will be installed at owner's expense.

INFORMATION ONLY

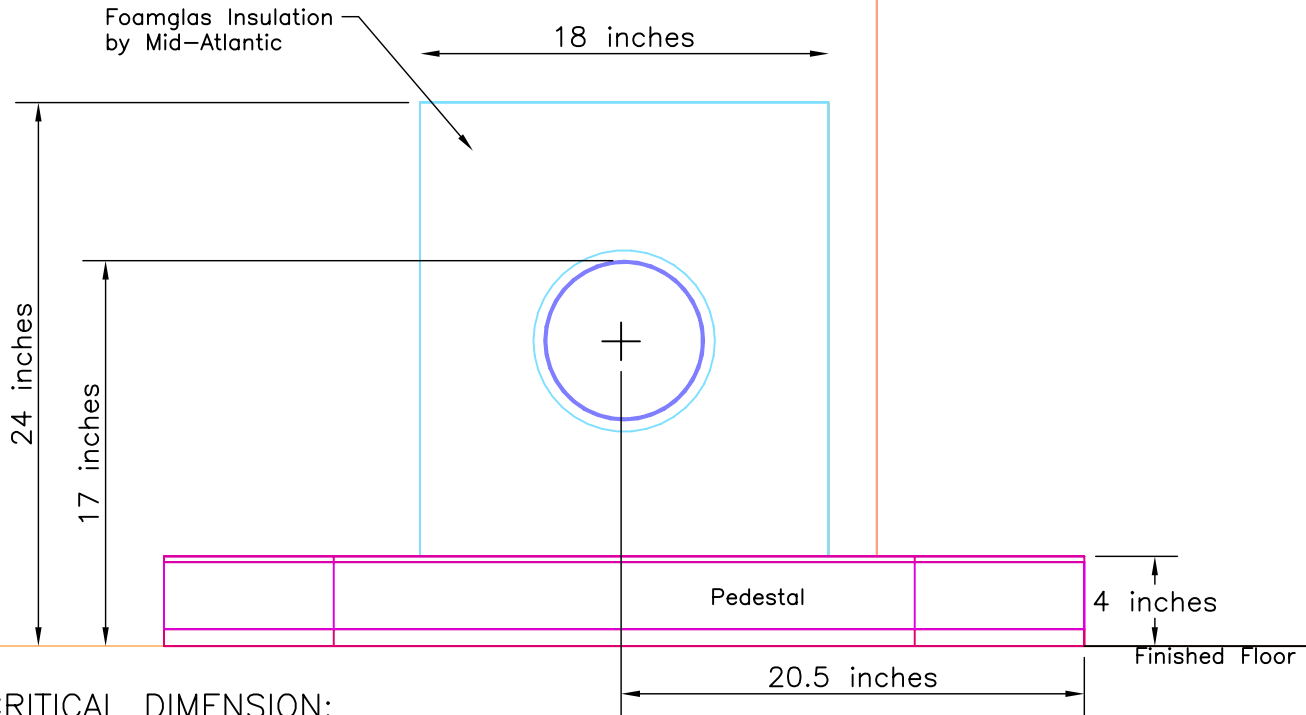
NOTE: Hearth Tiles CUT AND INSTALLED by others

| | | |
|-------------|----------------|---------|
| Revision: 1 | Date: 7/31/03 | By: DPB |
| Revision: 2 | Date: 8/21/03 | By: DPB |
| Revision: 3 | Date: 10/15/03 | By: DPB |
| Revision: 4 | Date: 10/17/03 | By: DPB |

INFORMATION ONLY

Noncombustible
Brick by others

WALL ELEVATION



***CRITICAL DIMENSION:**
17 inches from Finished Floor (BOTTOM OF STEEL PLATE PEDESTAL) to TOP INSIDE Flue Pipe.

FLUE LOCATION:
20 1/2 inches from Right Side of Steel Plate to CENTER of Flue Pipe. Flue can be offset up to 4 inches right or left on Fireplace. If greater offset is needed contact Mid-Atlantic for revised drawings and installation pricing.

Notes:

Cement around existing opening MUST be in Place Prior to Installation.

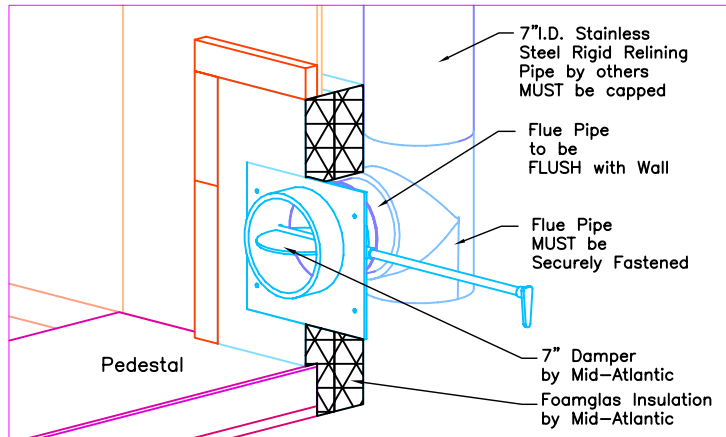
UL Listed – Minimum Foamglas Insulation 4" on sides & 6" on top of Flue Pipe.

Chimney Placement

*CRITICAL DIMENSION: 17" from Finished Floor (BOTTOM OF STEEL PLATE PEDESTAL) to TOP INSIDE Flue Pipe.

Thickness of Finished Floor—Maximum 3/4".

If Finished Floor exceeds 3/4" Thickness Mid-Atlantic MUST be contacted for revised specifications.



MID-ATLANTIC MASONRY HEAT
1229 Harris Street Suite 1
Charlottesville, VA 22903
(434)979-9709 Fax 434-979-6416

PROJECT LASETER
MODEL TLU1830/1

CONTRACT 5413
DRAWN BY D.P. BYRAM

VIEW Wall Elevation
DATE: Original Drawings 6/12/03

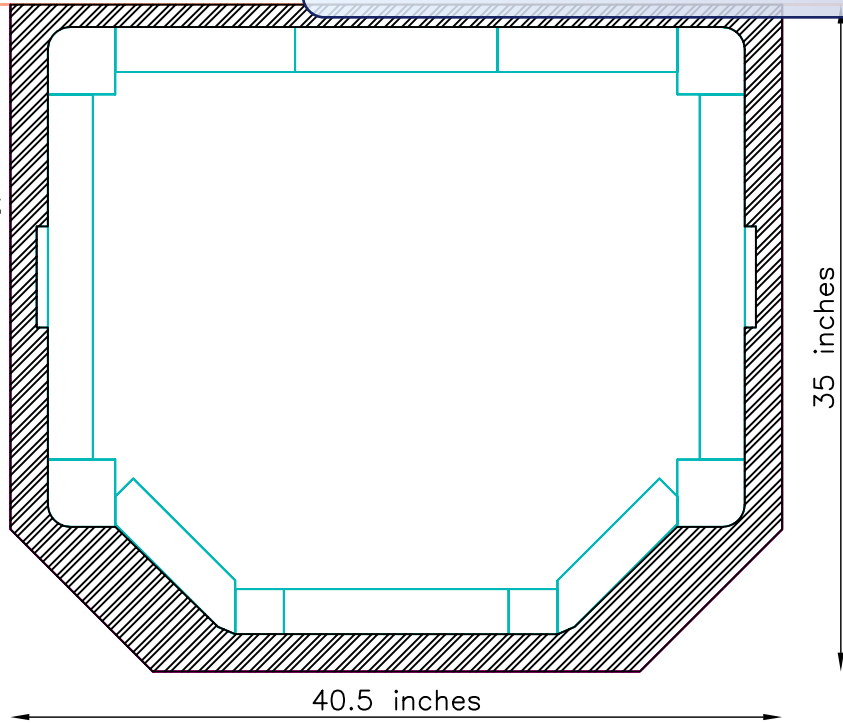
PAGE 5

| | | |
|-------------|----------------|---------|
| Revision: 1 | Date: 7/31/03 | By: DPB |
| Revision: 2 | Date: 8/21/03 | By: DPB |
| Revision: 3 | Date: 10/15/03 | By: DPB |
| Revision: 4 | Date: 10/17/03 | By: DPB |

INFORMATION ONLY

STEEL PLATE PEDESTAL 3/4" STEEL PLATE-BY OTHERS

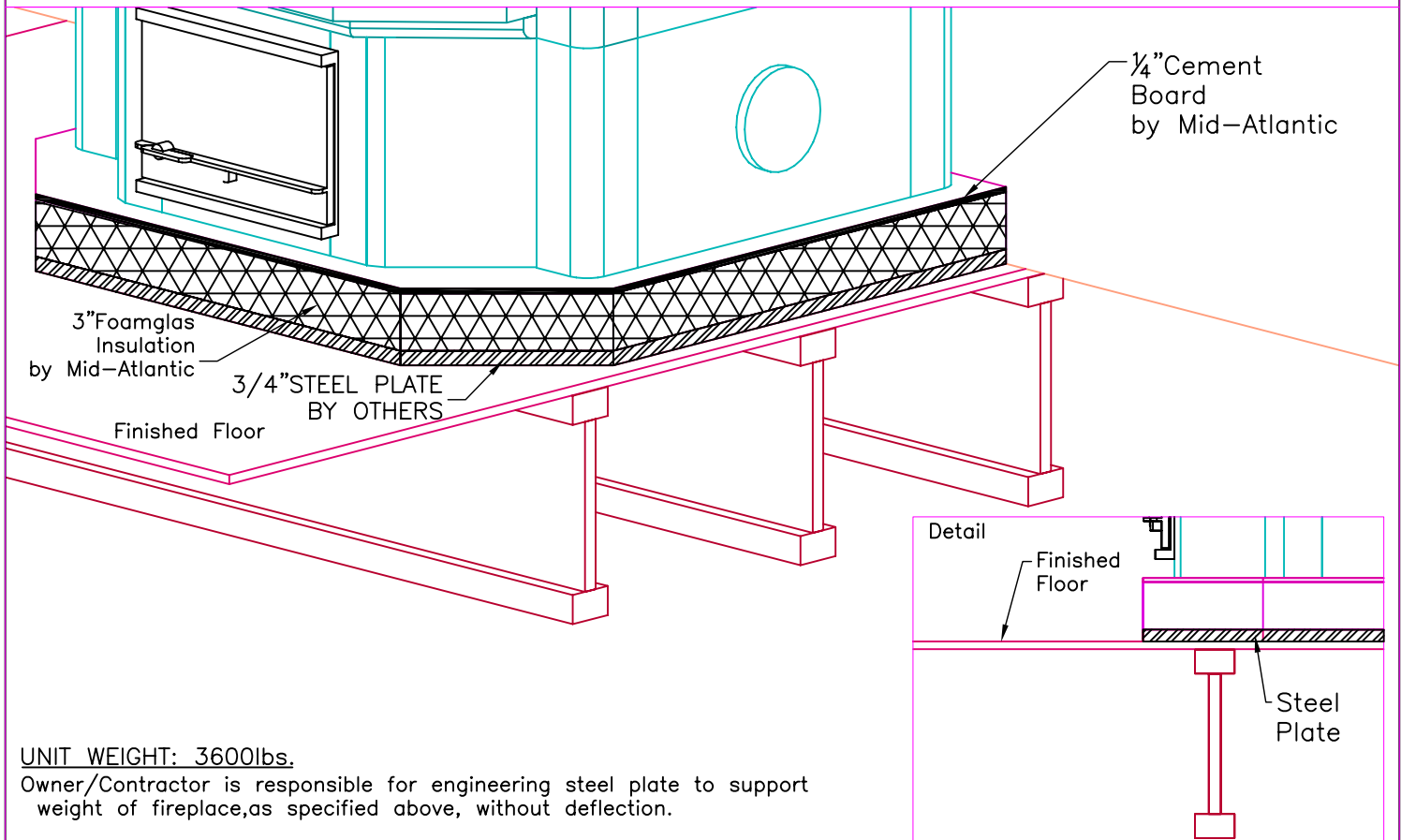
NOTE:
STEEL PLATE TO BE LEVEL
Tolerances:
+/- 1/8" No addition cost to adjust steel plate
+/- 1/4" \$150.00-\$200.00 additional cost to adjust steel plate
+/- 1/2" \$500.00 additional cost to adjust steel plate



UNIT WEIGHT: 3600lbs.

Owner/Contractor is responsible for engineering steel plate to support weight of fireplace, as specified above, without deflection.

Note: Bottom of 3/4" Steel Plate can rest on finished floor but MUST be Level.



UNIT WEIGHT: 3600lbs.

Owner/Contractor is responsible for engineering steel plate to support weight of fireplace, as specified above, without deflection.



MID-ATLANTIC MASONRY HEAT
1229 Harris Street Suite 1
Charlottesville, VA 22903
(434)979-9709 Fax 434-979-6416

PROJECT LASETER
MODEL TLU1830/1

CONTRACT 5413
DRAWN BY D.P.BYRAM

VIEW SUPPORT
DATE: Original Drawings 6/12/03

PAGE 6