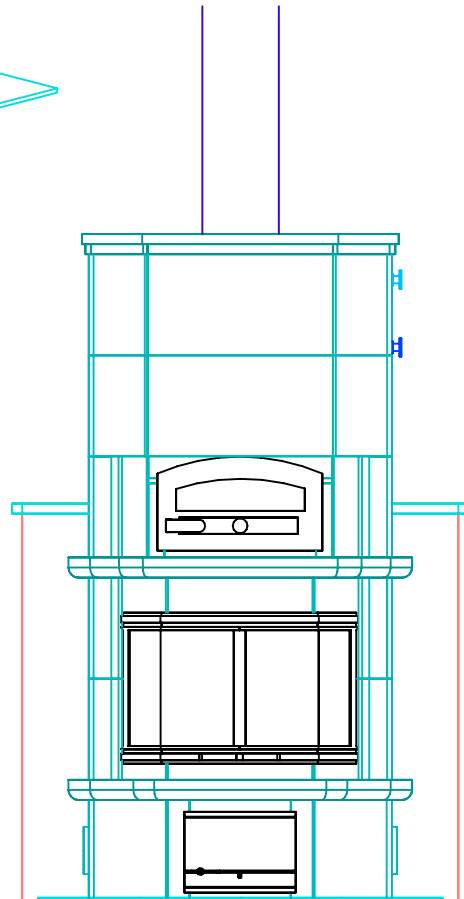
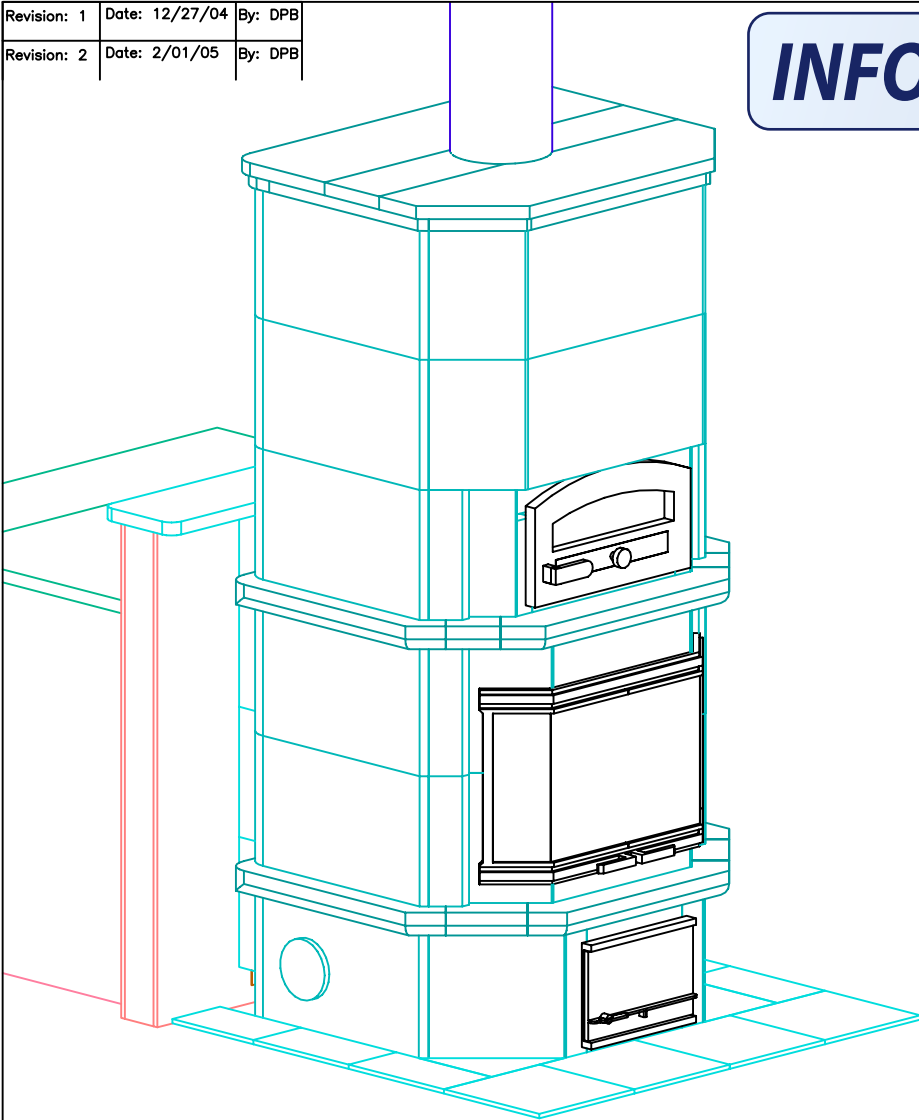


Revision: 1	Date: 12/27/04	By: DPB
Revision: 2	Date: 2/01/05	By: DPB

# INFORMATION ONLY



Soapstone Hearth Tile: Cut & Installed by others.

**REQUIRED:**

NFPA 211 requires minimum non-combustible hearth extension of 16" in front of the firebox door and 8" beyond either side of the firebox door.



MID-ATLANTIC MASONRY HEAT  
 1229 Harris Street Suite 1  
 Charlottesville, VA 22903  
 (434)979-9709 Fax 434-979-6416

PROJECT HAUSER  
 MODEL TTU2700/5

CONTRACT 5691  
 DRAWN BY D.P.BYRAM

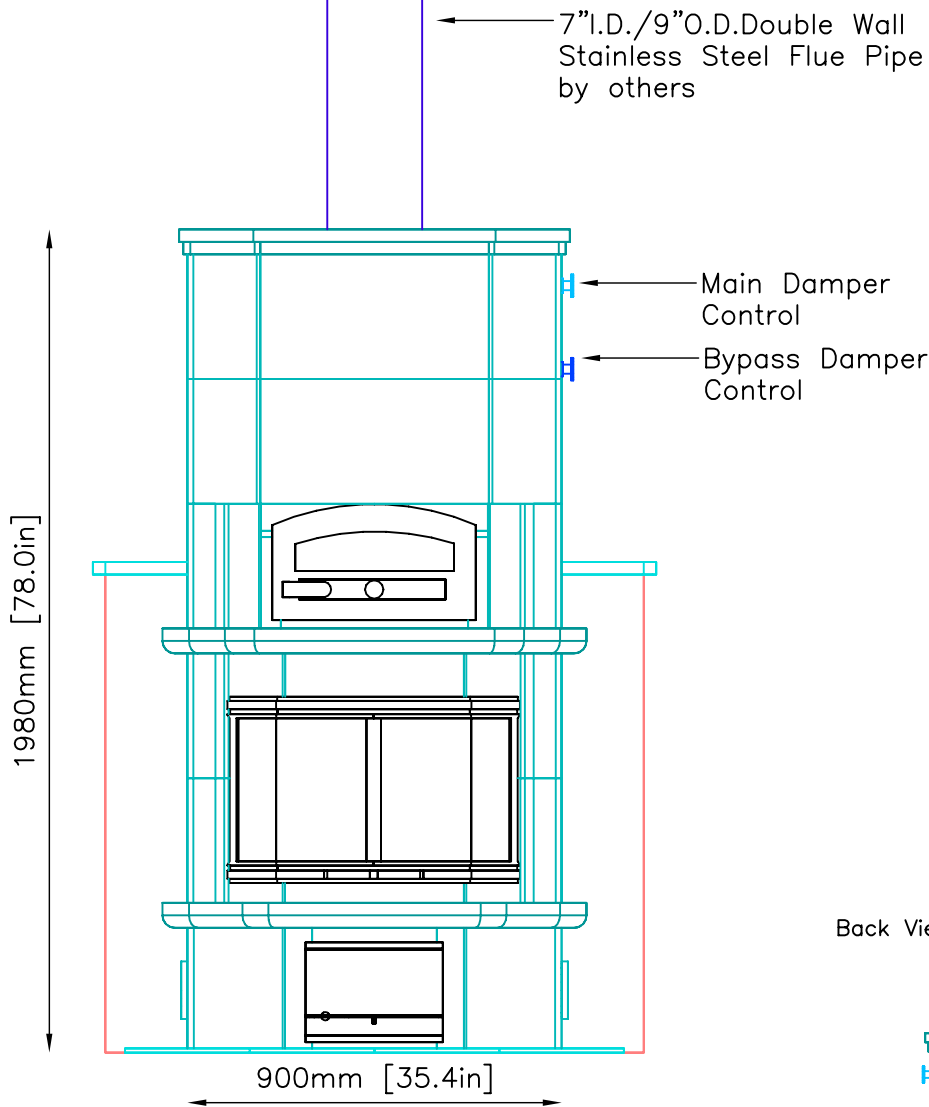
VIEW PERSPECTIVE  
 DATE 11/24/04

PAGE 1

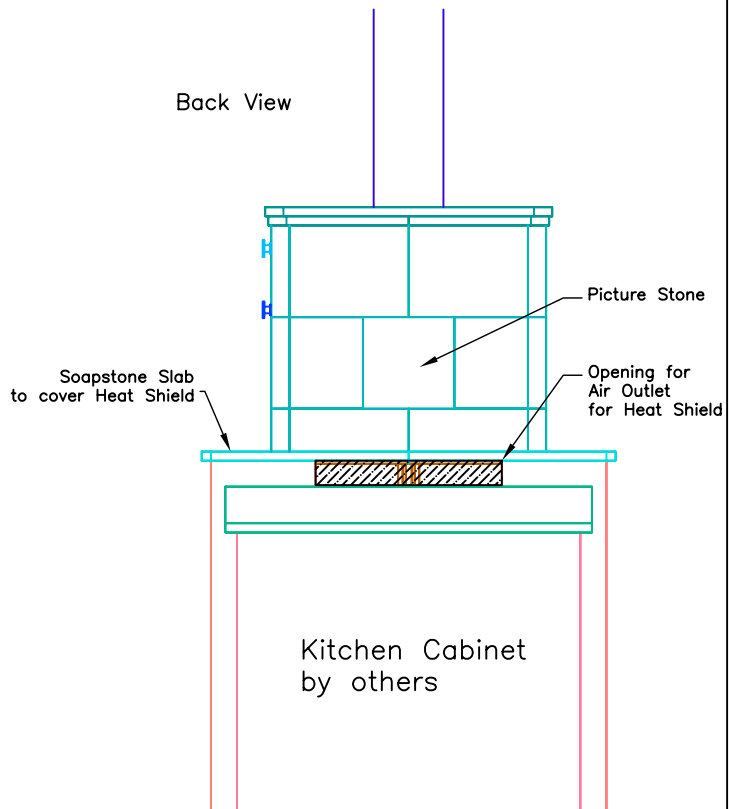
Revision: 1	Date: 12/27/04	By: DPB
Revision: 2	Date: 2/01/05	By: DPB

# INFORMATION ONLY

FRONT VIEW



Back View



Soapstone Hearth Tile: Cut & Installed by others.

**REQUIRED:**

NFPA 211 requires minimum non-combustible hearth extension of 16" in front of the firebox door and 8" beyond either side of the firebox door.



MID-ATLANTIC MASONRY HEAT  
1229 Harris Street Suite 1  
Charlottesville, VA 22903  
(434)979-9709 Fax 434-979-6416

PROJECT HAUSER  
MODEL TTU2700/5

CONTRACT 5691  
DRAWN BY D.P.BYRAM

VIEW FRONT  
DATE 11/24/04

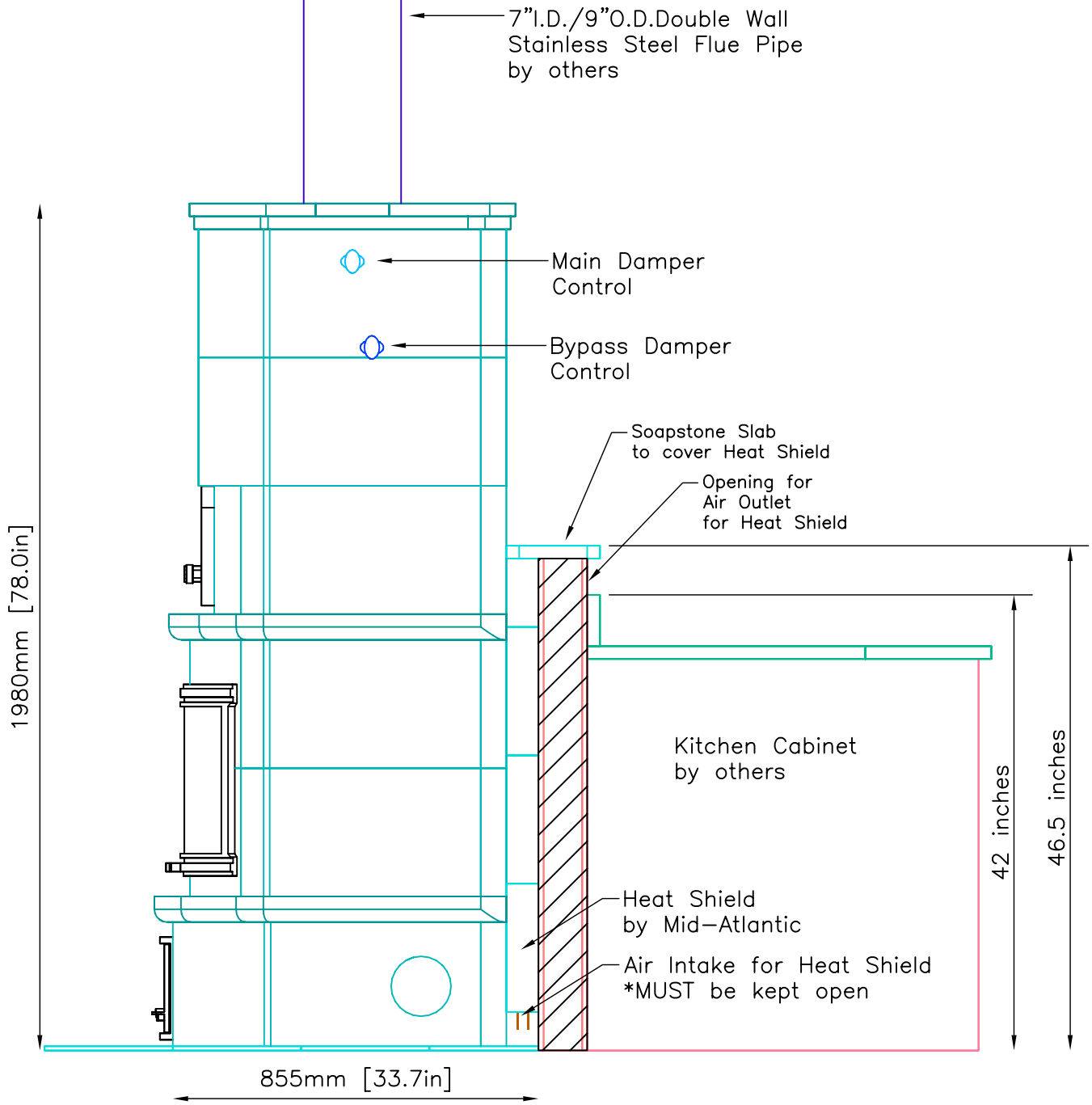
PAGE

2

Revision: 1	Date: 12/27/04	By: DPB
Revision: 2	Date: 2/01/05	By: DPB

# INFORMATION ONLY

SIDE VIEW



Soapstone Hearth Tile: Cut & Installed by others.

**REQUIRED:**

NFPA 211 requires minimum non-combustible hearth extension of 16" in front of the firebox door and 8" beyond either side of the firebox door.



MID-ATLANTIC MASONRY HEAT  
1229 Harris Street Suite 1  
Charlottesville, VA 22903  
(434)979-9709 Fax 434-979-6416

PROJECT HAUSER  
MODEL TTU2700/5

CONTRACT 5691  
DRAWN BY D.P.BYRAM

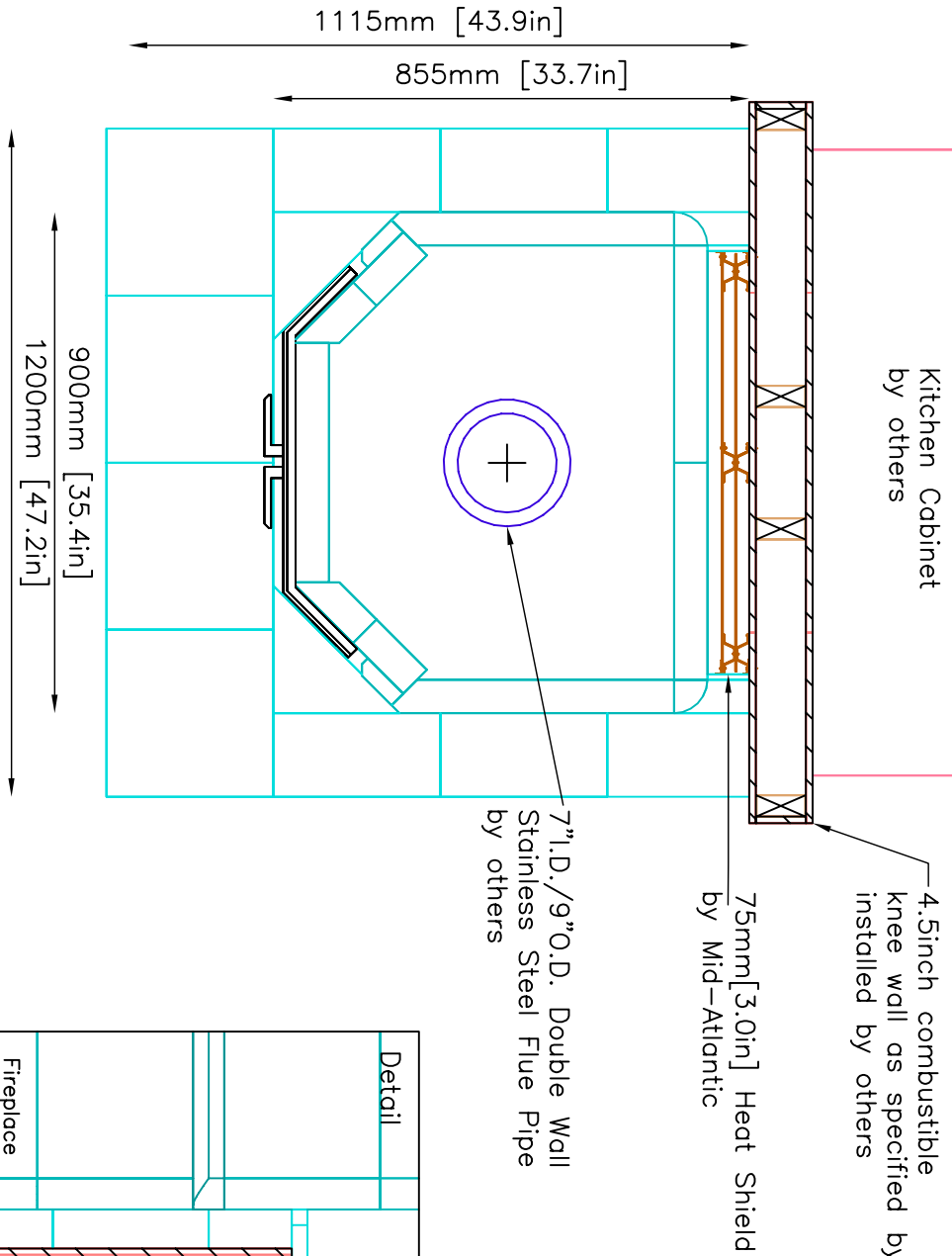
VIEW SIDE  
DATE 11/24/04

PAGE 3

Revision: 1	Date: 12/27/04	By: DPB
Revision: 2	Date: 2/01/05	By: DPB

PLAN VIEW

# INFORMATION ONLY



**UNIT WEIGHT: 5,000 lbs.**  
 Owner/Contractor is responsible for engineering Foundation Slab to support weight of fireplace.  
 Soapstone Hearth Tile: Cut & Installed by others.  
**REQUIRED:**  
 NFPA 211 requires minimum non-combustible hearth extension pf 16" in front of the firebox door and 8" beyond either side of the firebox door.

