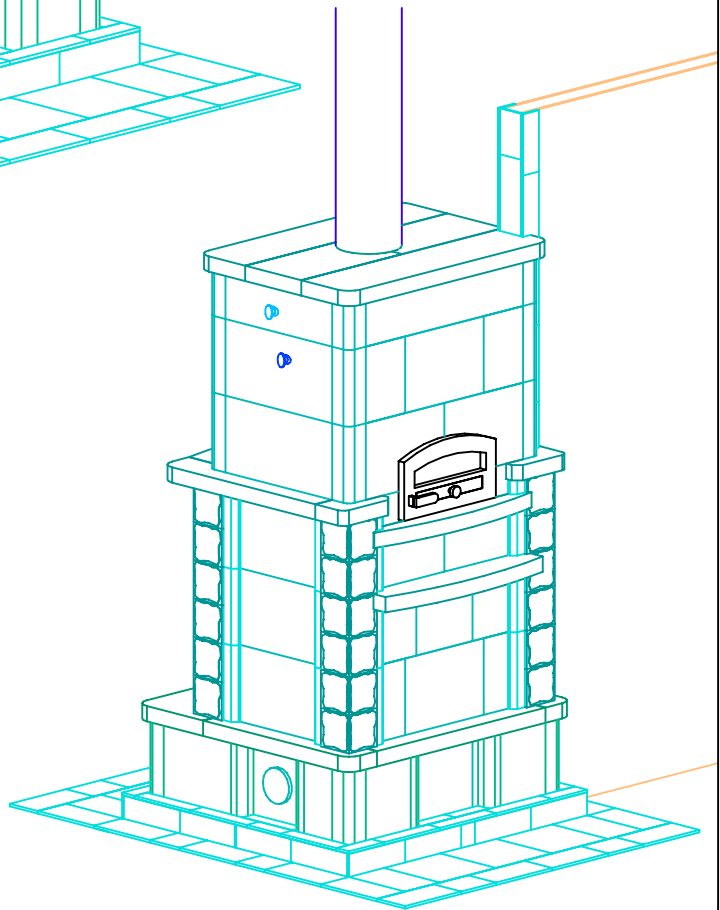
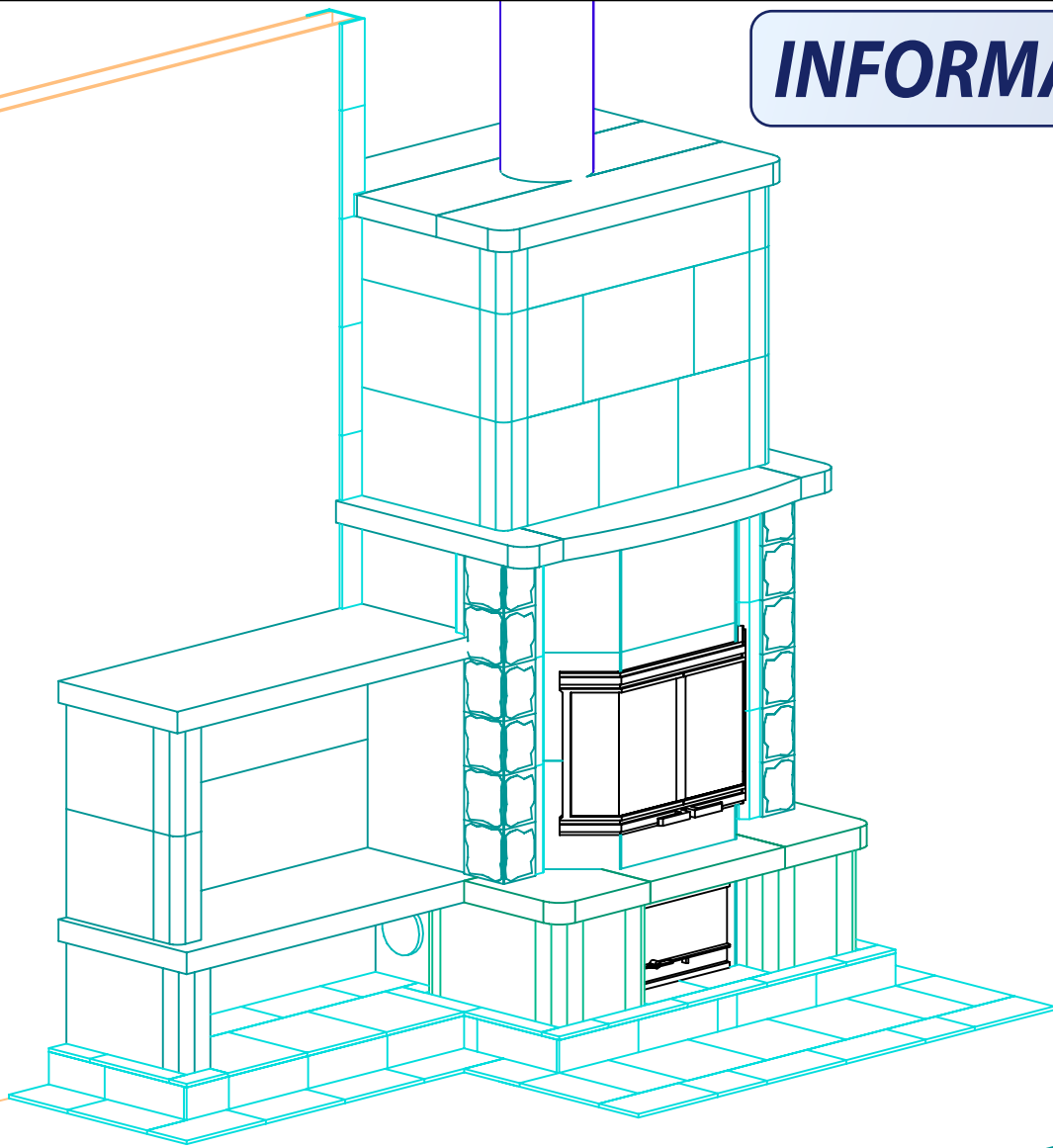


INFORMATION ONLY



NOTE: Hearth Tiles CUT AND INSTALLED by others



MID-ATLANTIC MASONRY HEAT
 1229 Harris Street Suite 1
 Charlottesville, VA 22903
 (434)979-9709 Fax 434-979-6416

PROJECT BURTON
 MODEL TTU2700/5

CONTRACT 5695
 DRAWN BY D.P.BYRAM

VIEW PERSPECTIVE
 DATE 1/11/05

PAGE 1

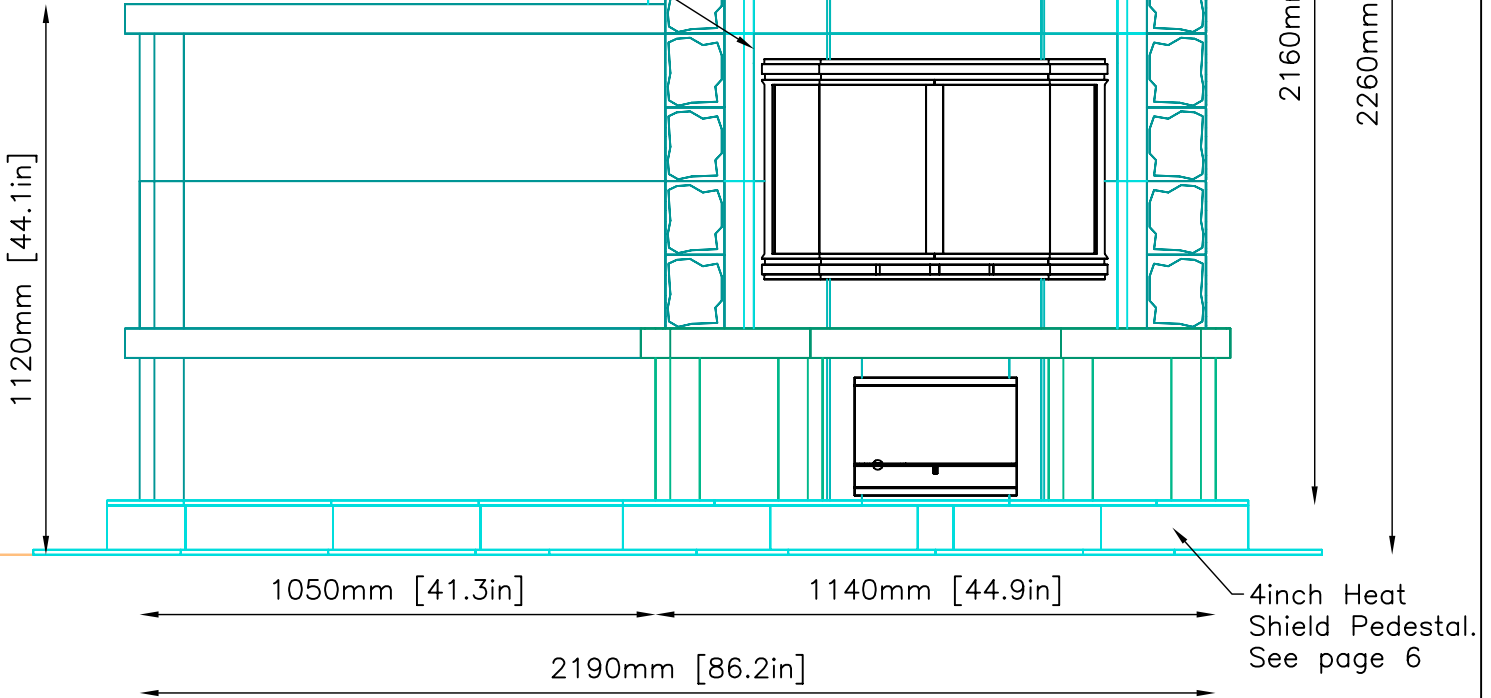
LIVINGROOM VIEW

No combustibles WITHIN 14 inches from SIDES of Fireplace
 No combustibles WITHIN 10 inches of TOP of Fireplace.
 Use Metal Studs and Cement Board.
 See page 5.

← 8" I.D./10" O.D. Double Wall Stainless Steel Flue Pipe by others
 Minimum 2 inch clearance to combustibles

Soapstone Tile to cover required gap Installed by others.

Rough Stone Accents
 Serpentine Trim



INFORMATION ONLY

NOTE: Hearth Tiles CUT AND INSTALLED by others



MID-ATLANTIC MASONRY HEAT
 1229 Harris Street Suite 1
 Charlottesville, VA 22903
 (434)979-9709 Fax 434-979-6416

PROJECT BURTON
 MODEL TTU2700/5

CONTRACT 5695
 DRAWN BY D.P.BYRAM

VIEW FRONT
 DATE 1/11/05

PAGE 2

KITCHEN VIEW

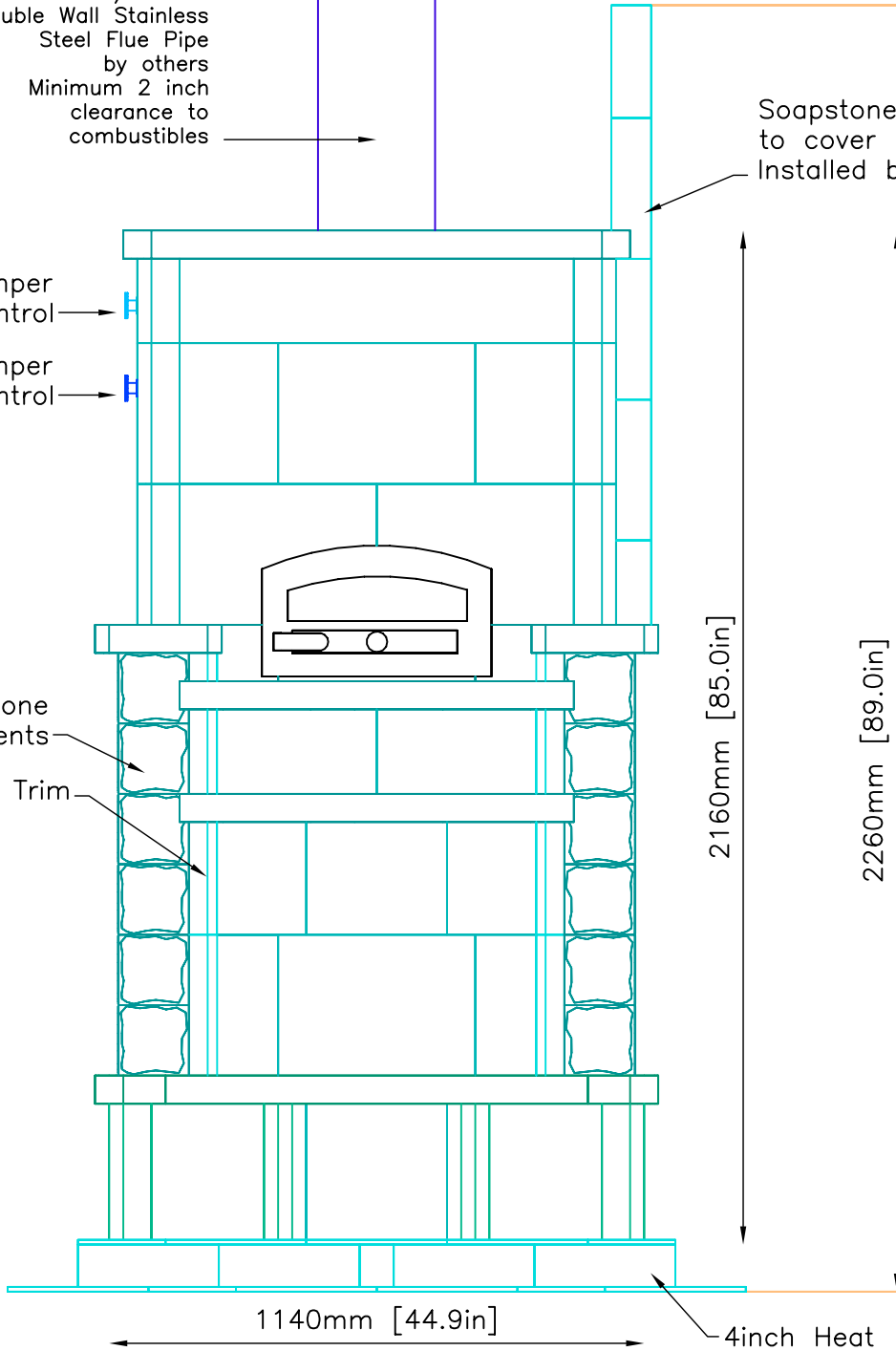
No combustibles WITHIN 14 inches from SIDES of Fireplace
 No combustibles WITHIN 10 inches of TOP of Fireplace.
 Use Metal Studs and Cement Board.
 See page 5.

8" I.D./10" O.D.
 Double Wall Stainless Steel Flue Pipe
 by others
 Minimum 2 inch clearance to combustibles

Soapstone Tile to cover required gap
 Installed by others.

Main Damper Control
 Bypass Damper Control

Rough Stone Accents
 Serpentine Trim



2160mm [85.0in]

2260mm [89.0in]

1140mm [44.9in]

4inch Heat Shield Pedestal.
 See page 6

INFORMATION ONLY

NOTE: Hearth Tiles CUT AND INSTALLED by others



MID-ATLANTIC MASONRY HEAT
 1229 Harris Street Suite 1
 Charlottesville, VA 22903
 (434)979-9709 Fax 434-979-6416

PROJECT BURTON
 MODEL TTU2700/5

CONTRACT 5695
 DRAWN BY D.P.BYRAM

VIEW BACK
 DATE 1/11/05

PAGE

3

Right Side View

8" I.D./10" O.D.
Double Wall Stainless
Steel Flue Pipe
by others
Minimum 2 inch
clearance to
combustibles

Soapstone Tile
to cover combustible
wall.
Wall by others
Tiles installed by others

No combustibles WITHIN 14 inches
from SIDES of Fireplace
No combustibles WITHIN 10 inches
of TOP of Fireplace.
Use Metal Studs and
Cement Board.
See page 5.

Main Damper
Control

Bypass Damper
Control

Rough Stone
Accents

Serpentine Trim

4 inch Heat
Shield Pedestal
See page 6

2160mm [85.0in]

2260mm [89.0in]

1080mm [42.5in]

Left Side View

Wall
by others

INFORMATION ONLY

NOTE: Hearth Tiles CUT AND INSTALLED by others



MID-ATLANTIC MASONRY HEAT
1229 Harris Street Suite 1
Charlottesville, VA 22903
(434)979-9709 Fax 434-979-6416

PROJECT BURTON
MODEL TTU2700/5

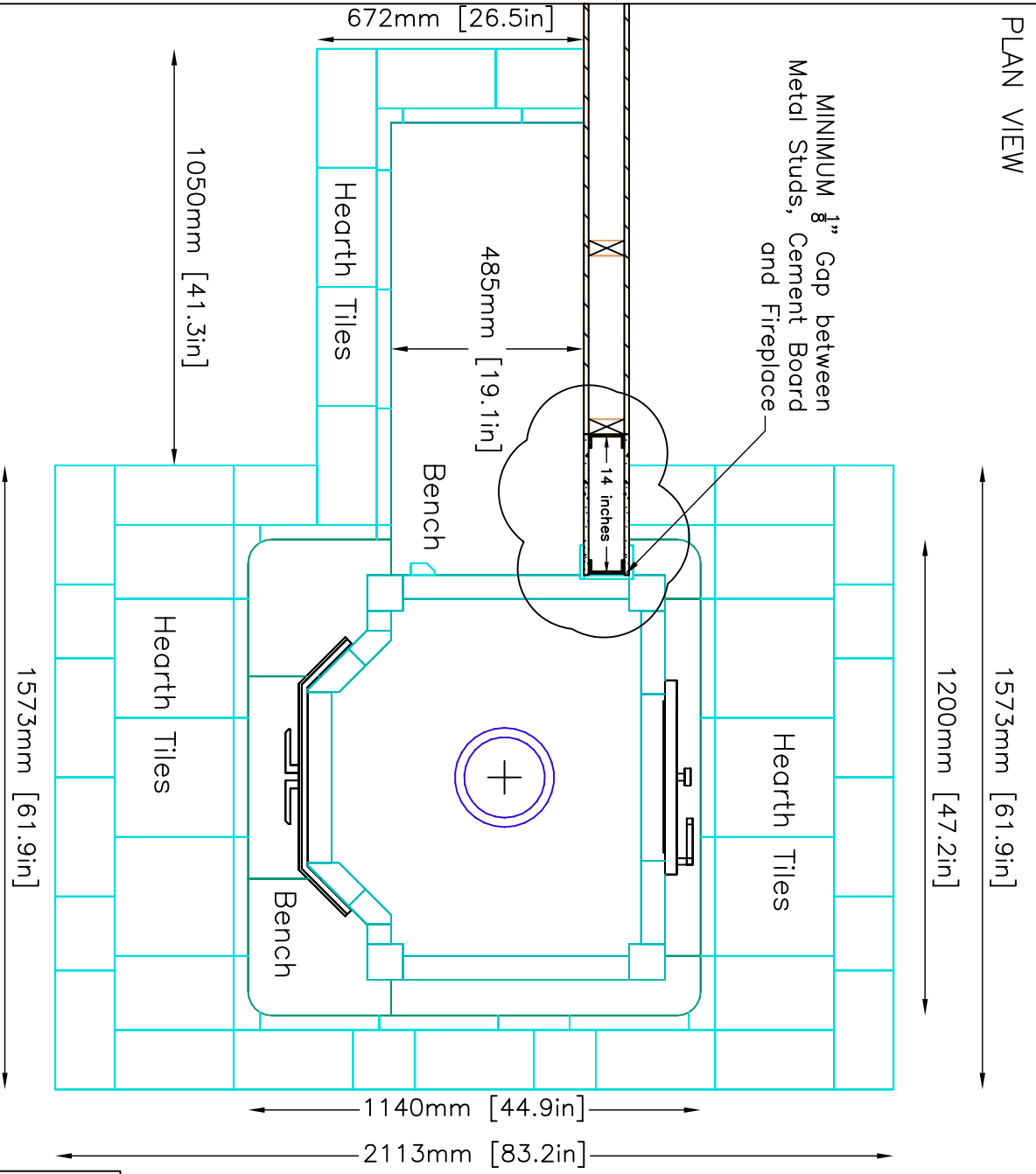
CONTRACT 5695
DRAWN BY D.P.BYRAM

VIEW SIDE
DATE 1/11/05

PAGE

4

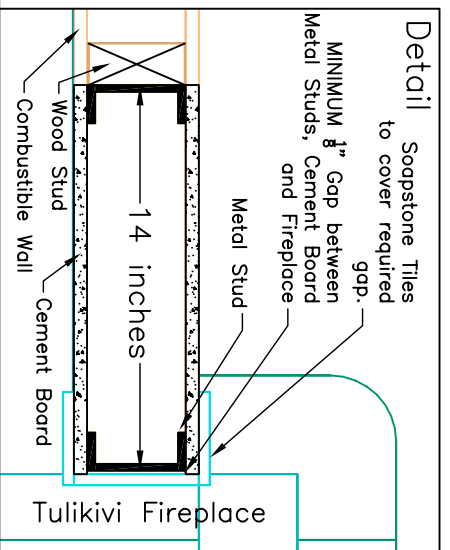
PLAN VIEW



MINIMUM $\frac{1}{8}$ " Gap between Metal Studs, Cement Board and Fireplace

MINIMUM 14" From SIDES of Fireplace to combustibles. Use Metal Studs and Cement Board. See Detail Below

INFORMATION ONLY



NOTE: Hearth Tiles CUT AND INSTALLED by others

	MID-ATLANTIC MASONRY HEAT 1229 Harris Street Suite 1 Charlottesville, VA 22903 (434)979-9709 Fax 434-979-6416	PROJECT	BURTON	CONTRACT	5695	VIEW	PLAN	PAGE	5
		MODEL	TTU2700/5	DRAWN BY	D.P.BYRAM	DATE	1/11/05		