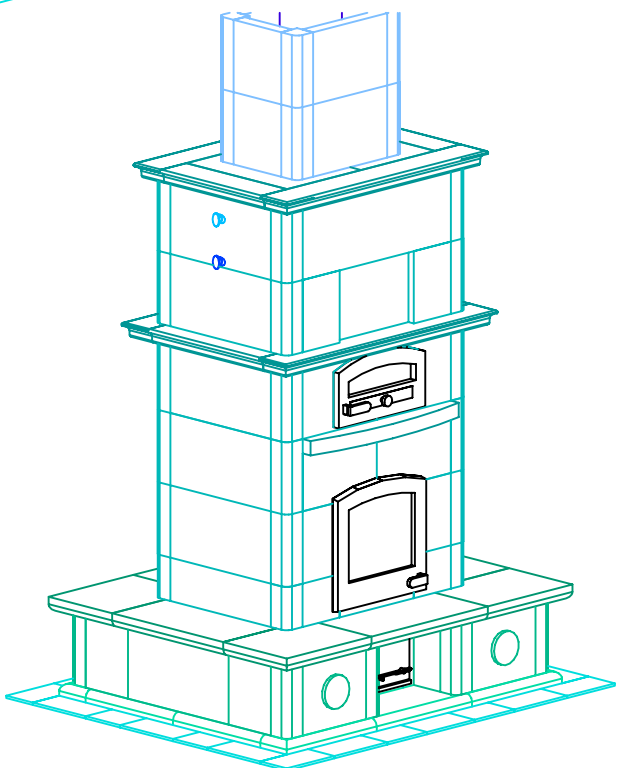
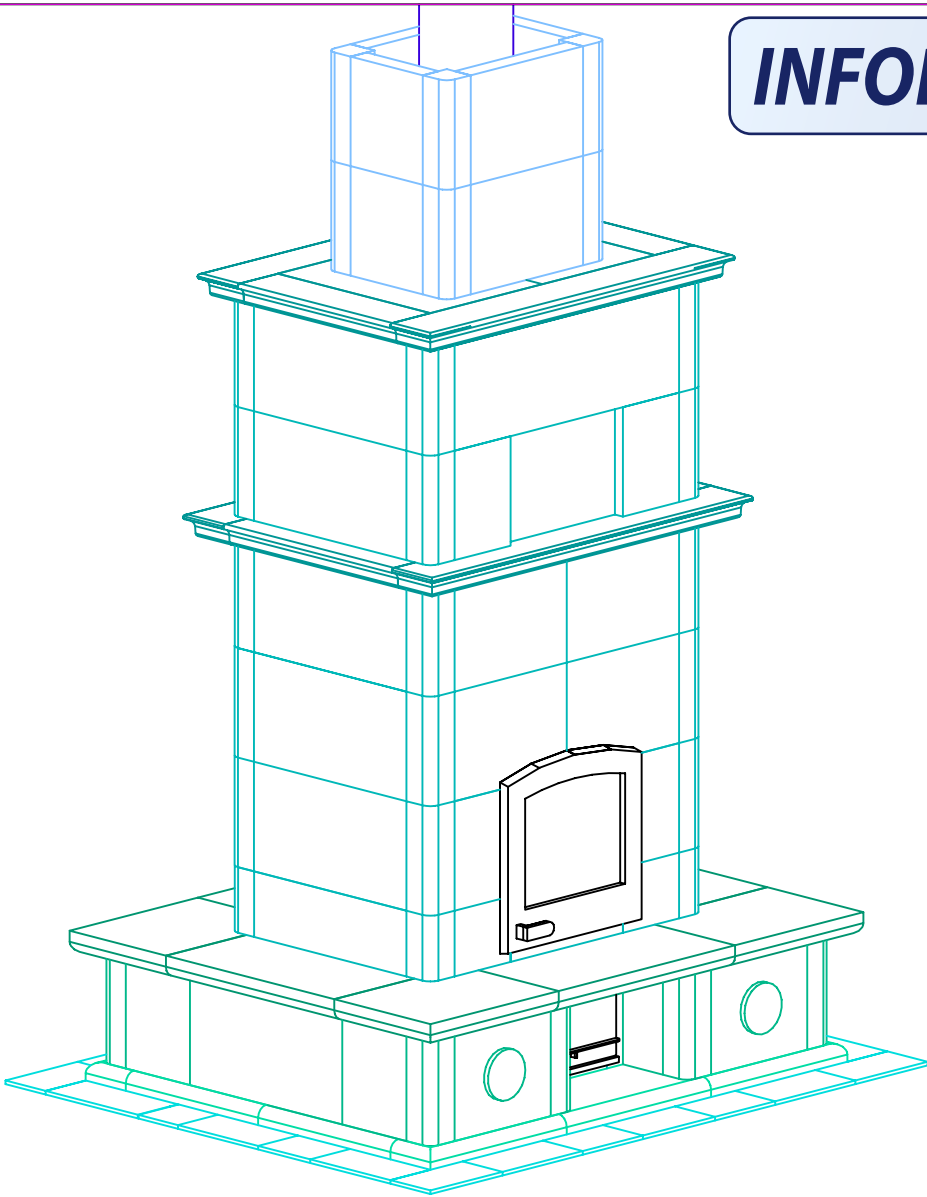


INFORMATION ONLY



NOTE: Hearth Tiles CUT AND INSTALLED by others



MID-ATLANTIC MASONRY HEAT
 1229 Harris Street Suite 1
 Charlottesville, VA 22903
 (434)979-9709 Fax 434-979-6416

PROJECT WILLIAMSON

CONTRACT 5715

VIEW PERSPECTIVE

PAGE

MODEL TTU2700/5

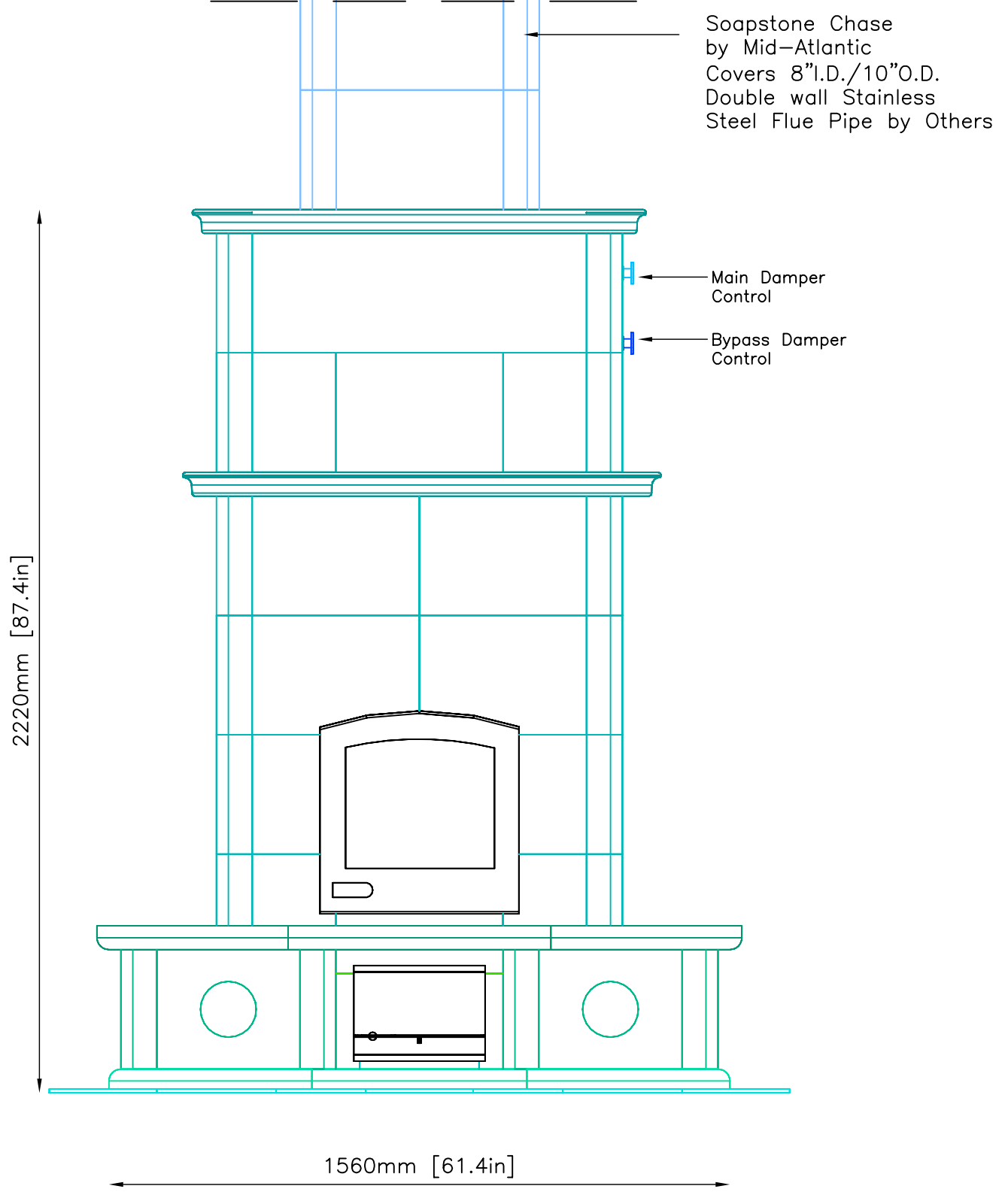
DRAWN BY J. CHAMPION

DATE 03/29/05

1

FRONT VIEW

INFORMATION ONLY



Soapstone Chase
by Mid-Atlantic
Covers 8" I.D./10" O.D.
Double wall Stainless
Steel Flue Pipe by Others

Main Damper
Control

Bypass Damper
Control

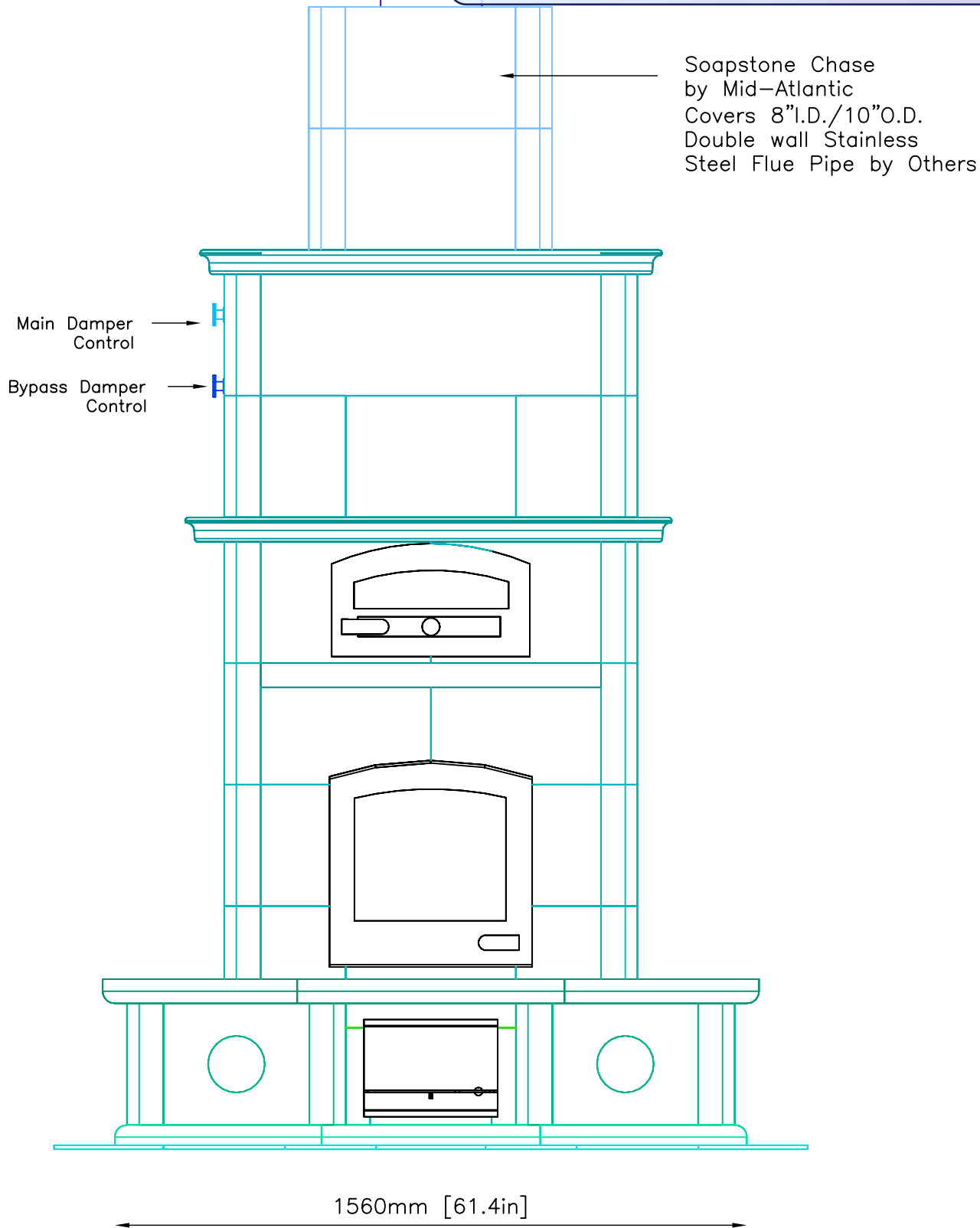
2220mm [87.4in]

1560mm [61.4in]

NOTE: Hearth Tiles CUT AND INSTALLED by others
 NO COMBUSTIBLE MATERIALS WITHIN 14 INCHES OF SIDE OF HEATED BENCH
 NO COMBUSTIBLE MATERIALS WITHIN 10 INCHES OF TOP OF FIREPLACE

BACK VIEW

INFORMATION ONLY



NOTE: Hearth Tiles CUT AND INSTALLED by others
NO COMBUSTIBLE MATERIALS WITHIN 14 INCHES OF SIDE OF HEATED BENCH
NO COMBUSTIBLE MATERIALS WITHIN 10 INCHES OF TOP OF FIREPLACE



MID-ATLANTIC MASONRY HEAT
1229 Harris Street Suite 1
Charlottesville, VA 22903
(434)979-9709 Fax 434-979-6416

PROJECT WILLIAMSON
MODEL TTU2700/5

CONTRACT 5715
DRAWN BY J. CHAMPION

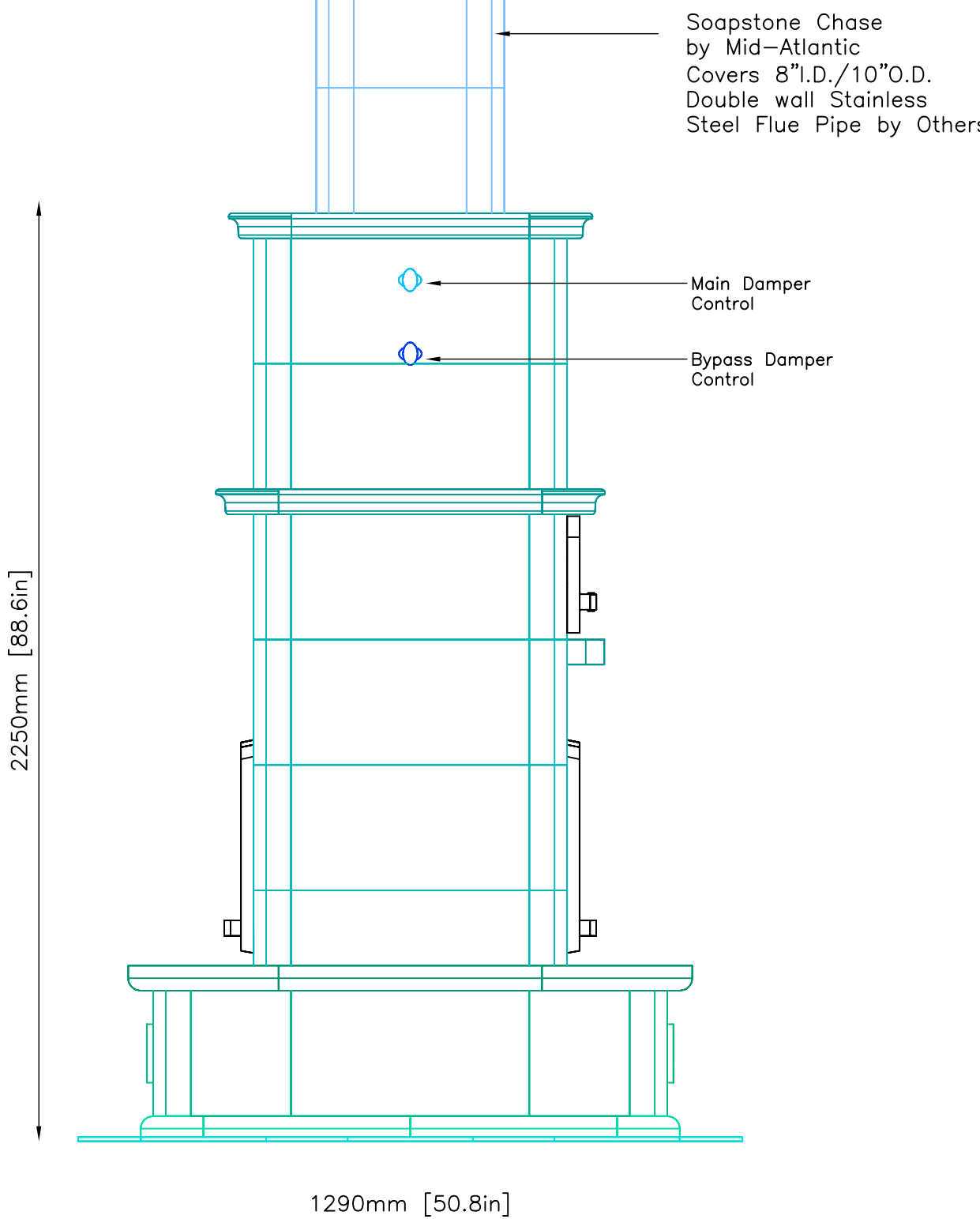
VIEW BACK
DATE 03/29/05

PAGE

3

SIDE VIEW

INFORMATION ONLY



NOTE: Hearth Tiles CUT AND INSTALLED by others
NO COMBUSTIBLE MATERIALS WITHIN 10 INCHES OF TOP OF FIREPLACE



MID-ATLANTIC MASONRY HEAT
1229 Harris Street Suite 1
Charlottesville, VA 22903
(434)979-9709 Fax 434-979-6416

PROJECT WILLIAMSON
MODEL TTU2700/5

CONTRACT 5715
DRAWN BY J. CHAMPION

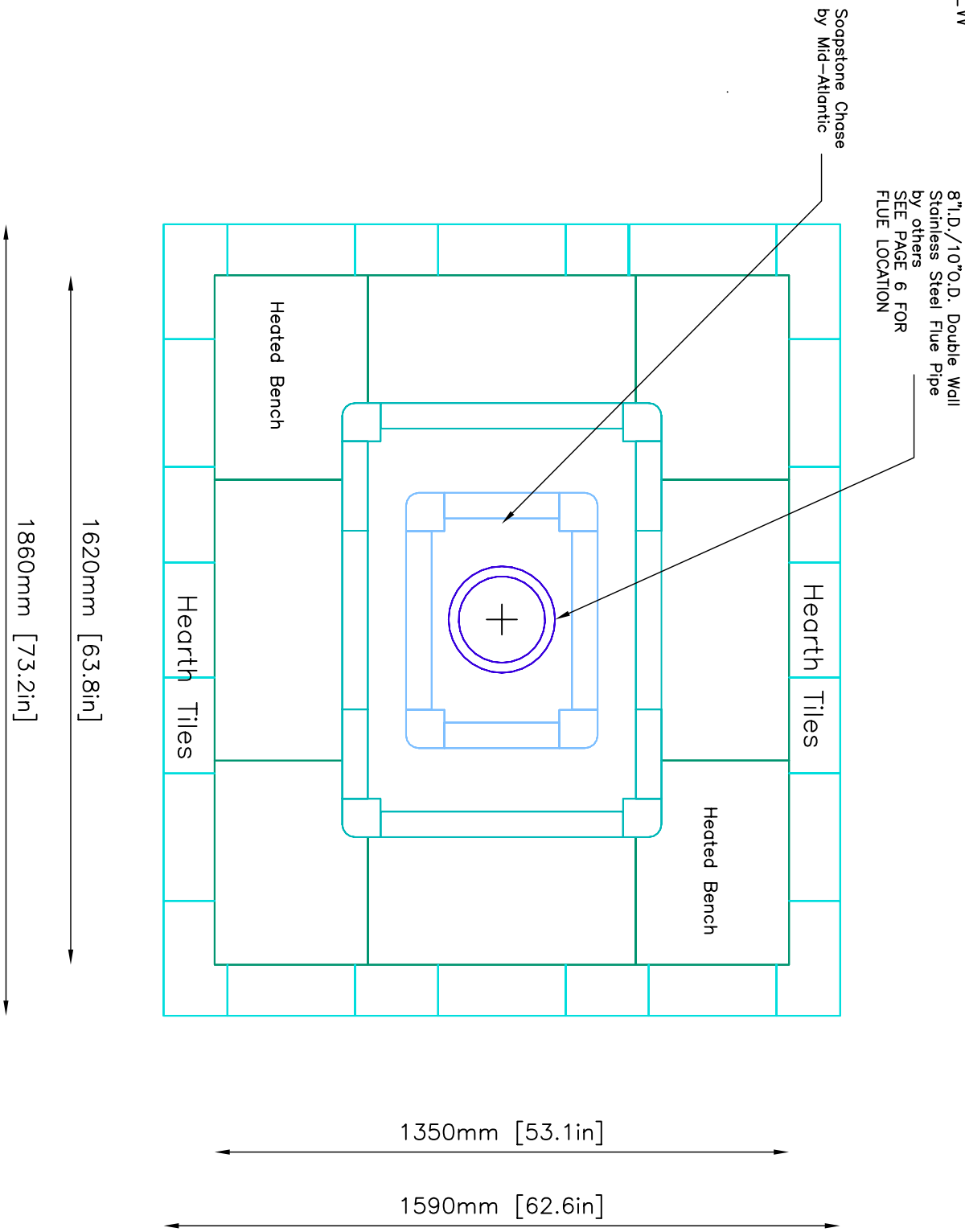
VIEW SIDE
DATE 03/29/05

PAGE

4

INFORMATION ONLY

PLAN VIEW



NOTE: Hearth Tiles CUT AND INSTALLED by others
NO COMBUSTIBLE MATERIALS WITHIN 14 INCHES OF SIDE OF FIREPLACE



MID-ATLANTIC MASONRY HEAT
1229 Harris Street Suite 1
Charlottesville, VA 22903
(434)979-9709 Fax 434-979-6416

PROJECT WILLIAMSON
MODEL TTU2700/5

CONTRACT 5715
DRAWN BY J. CHAMPION

VIEW PLAN
DATE 03/29/05

PAGE 5