

INFORMATION ONLY

NOTE: Hearth Tiles CUT AND INSTALLED by others



MID-ATLANTIC MASONRY HEAT
 1229 Harris Street Suite 1
 Charlottesville, VA 22903
 (434)979-9709 Fax 434-979-6416

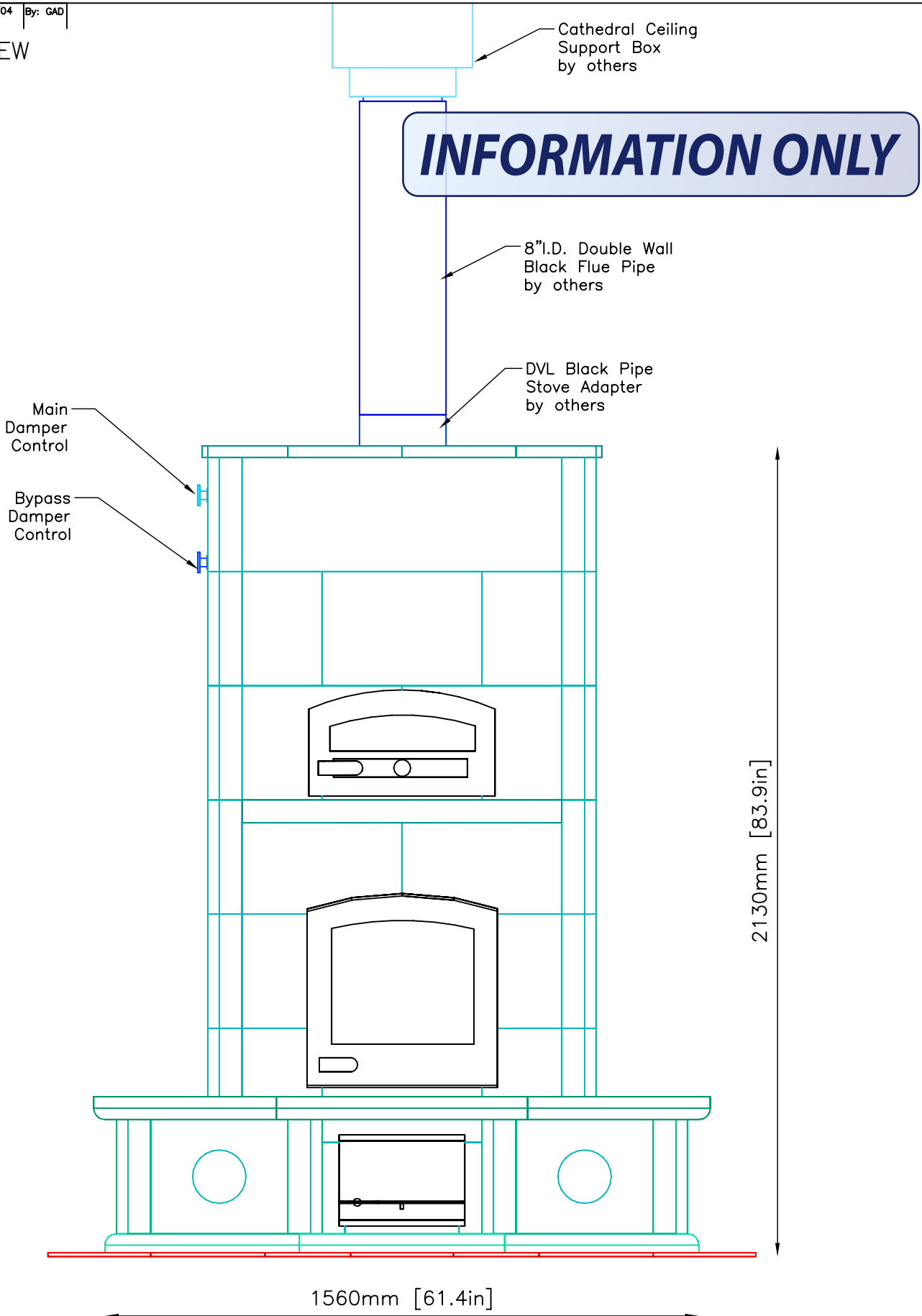
PROJECT DEWITT
 MODEL TTU2700/5

CONTRACT 5623
 DRAWN BY G.DIFIORE/D.P.BYRAM

VIEW PERSPECTIVE
 DATE 2/16/04

PAGE 1

FRONT VIEW



NOTE: Hearth Tiles CUT AND INSTALLED by others



MID-ATLANTIC MASONRY HEAT
1229 Harris Street Suite 1
Charlottesville, VA 22903
(434)979-9709 Fax 434-979-6416

PROJECT DEWITT
MODEL TTU2700/5

CONTRACT 5623
DRAWN BY G.DIFIORE/D.P.BYRAM

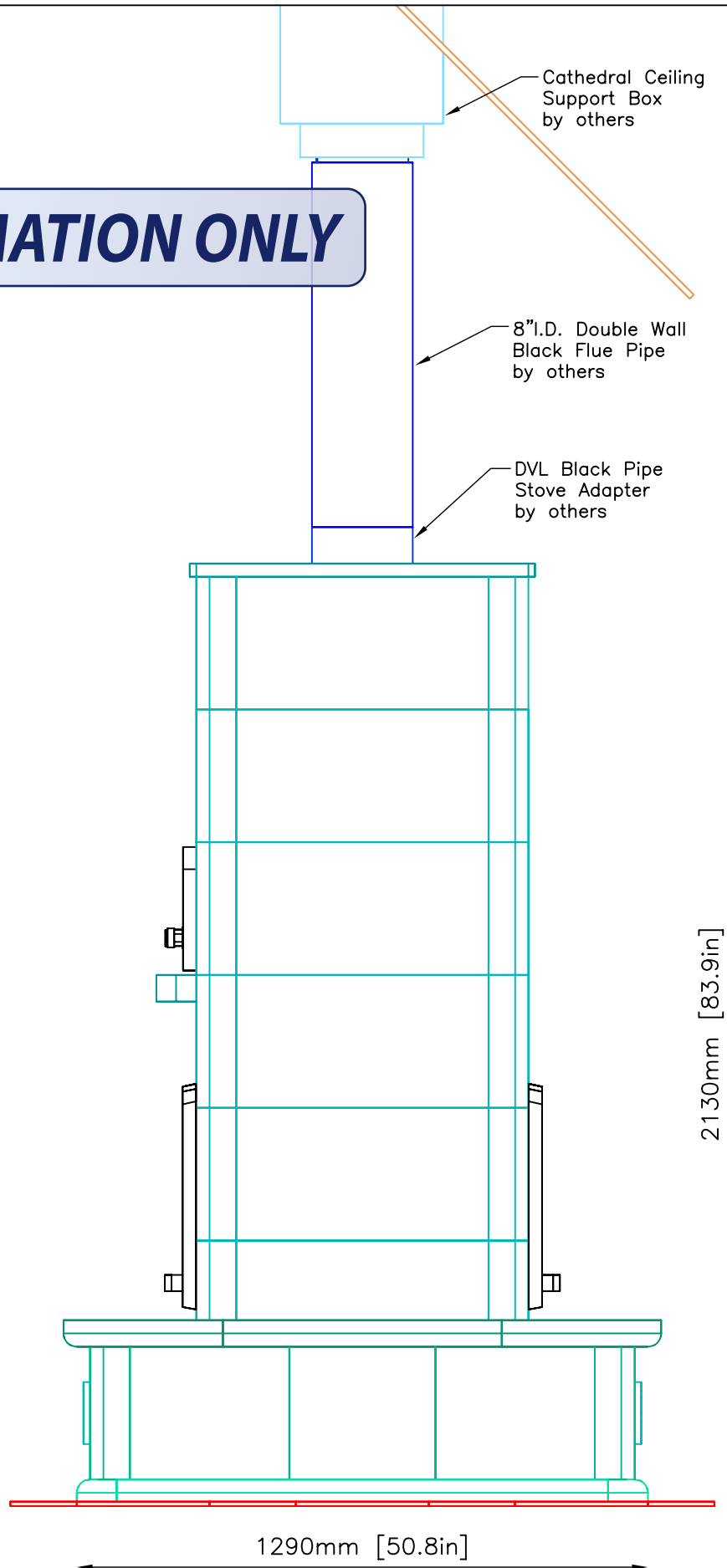
VIEW FRONT
DATE 2/16/04

PAGE

2

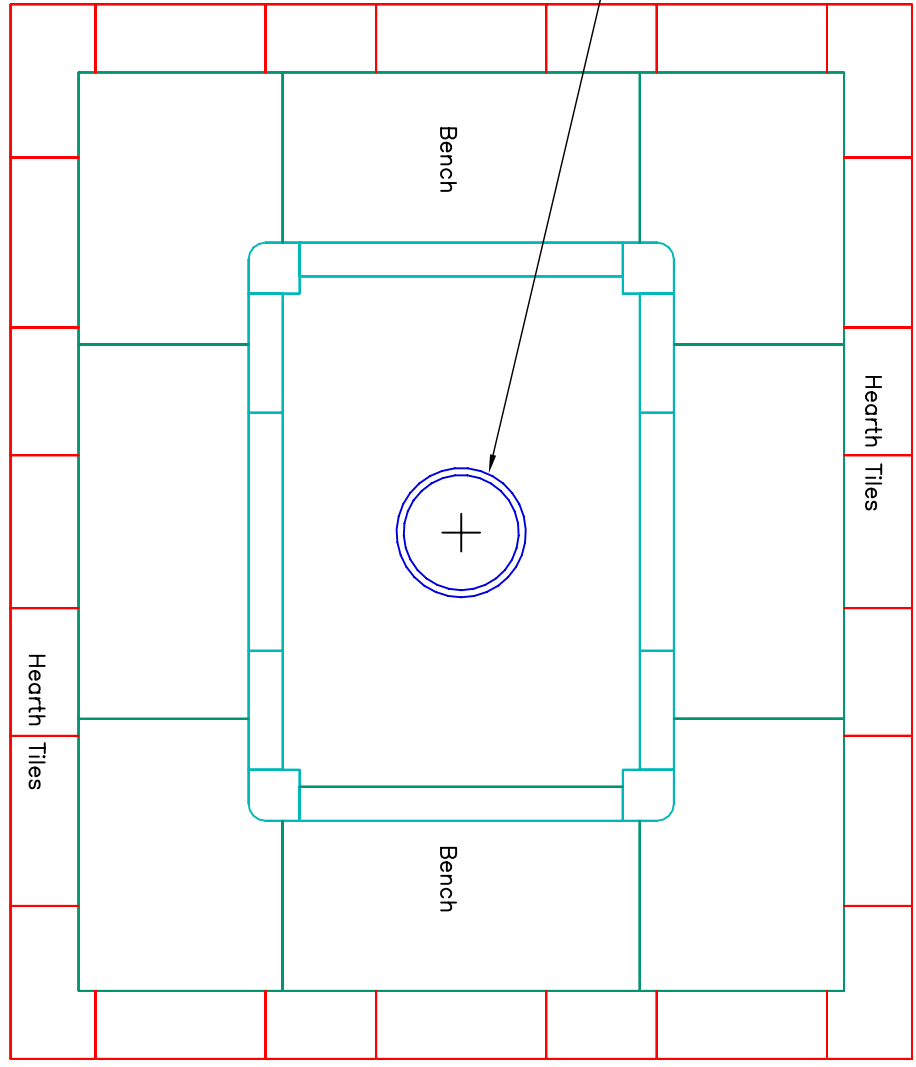
SIDE VIEW

INFORMATION ONLY



PLAN VIEW

8" I.D. Double Wall
Black Flue Pipe
by others
SEE PAGE 5
FOR FLUE LOCATION



1620mm [63.8in]
1860mm [73.2in]

1350mm [53.1in]

1590mm [62.6in]

NOTE: Hearth Tiles CUT AND INSTALLED by others

INFORMATION ONLY



MID-ATLANTIC MASONRY HEAT
1229 Harris Street Suite 1
Charlottesville, VA 22903
(434)979-9709 Fax 434-979-6416

PROJECT DEWITT
MODEL TTU2700/5

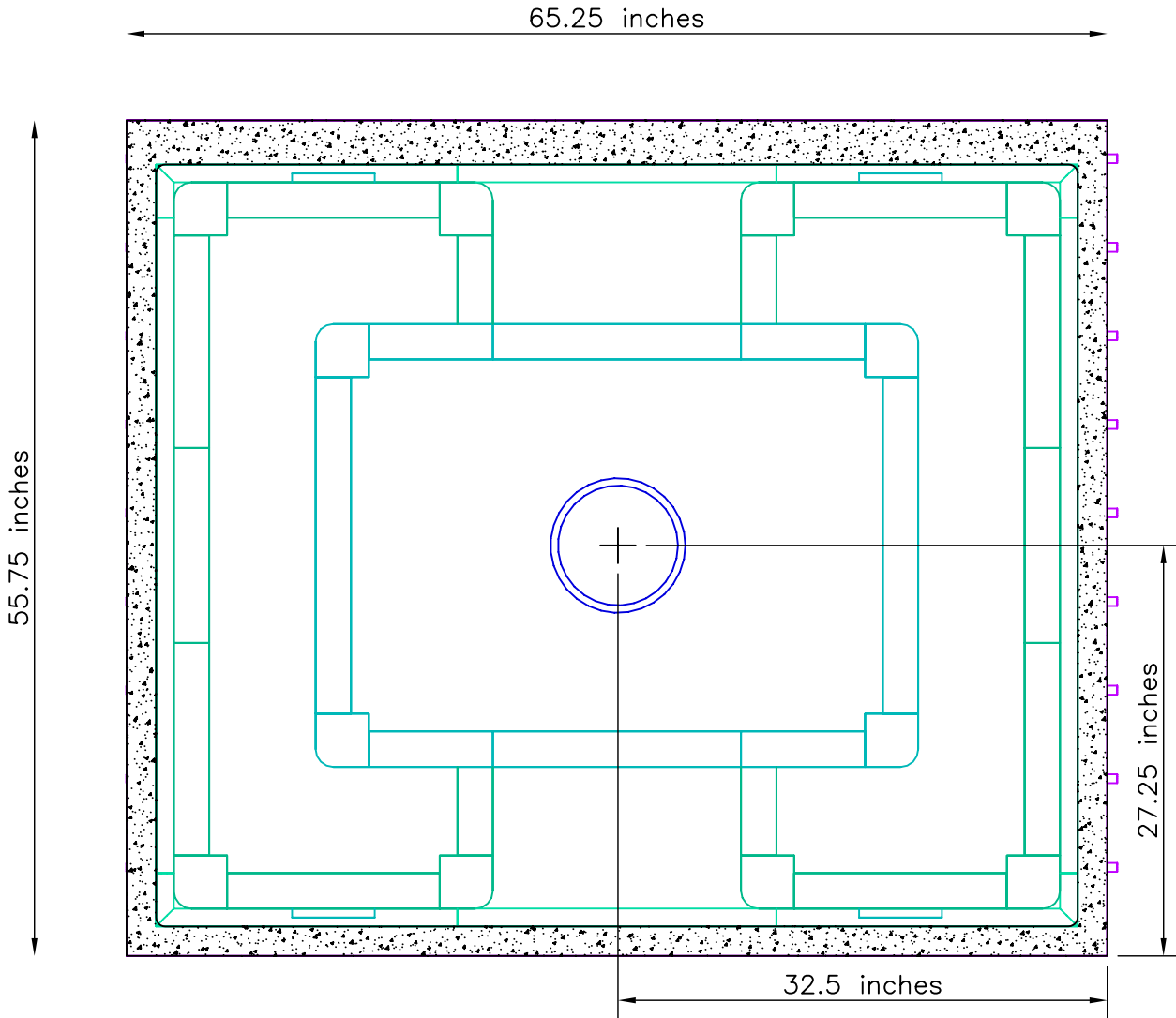
CONTRACT 5623
DRAWN BY G.DIFIIORE/D.P.BYRAM

VIEW PLAN
DATE 2/16/04

PAGE 4

FOUNDATION SLAB

Minimum 4" Thick Poured Concrete With Rebar 6"O.C.
 Minimum Dimensions--2" from Base of Unit



FLUE LOCATION:

27 1/4" x 32 1/2" From Lower Right Corner of Foundation Slab
 to CENTER of Flue Pipe.

INFORMATION ONLY

NOTE:

TOP OF FOUNDATION SLAB TO BE LEVEL AND FLUSH WITH SUB-FLOOR

- Tolerances: +/- 1/8" No additional cost to level slab
- +/- 1/4" \$150.00-\$200.00 additional cost to level slab
- +/- 1/2" \$500.00 additional cost to level slab

UNIT WEIGHT: 10,000lbs.

Owner/Contractor is responsible for engineering Foundation Slab to support weight of fireplace.



MID-ATLANTIC MASONRY HEAT
 1229 Harris Street Suite 1
 Charlottesville, VA 22903
 (434)979-9709 Fax 434-979-6416

PROJECT DEWITT
 MODEL TTU2700/5

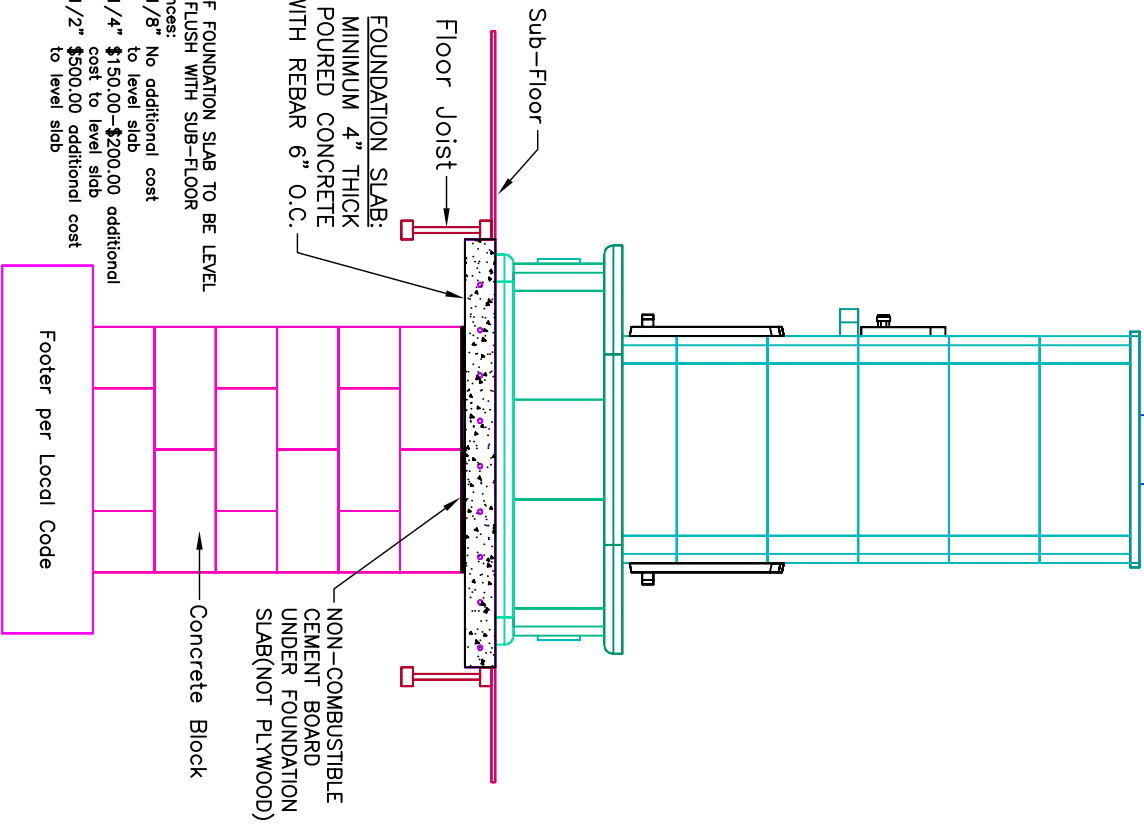
CONTRACT 5623
 DRAWN BY G.DIFIORE/D.P.BYRAM

VIEW SUPPORT
 DATE 2/16/04

PAGE

5

FOUNDATION SLAB:
 * MINIMUM 4" THICK WITH REBAR 6" O.C.
 * NON-COMBUSTIBLE CEMENT BOARD under foundation slab (NOT PLYWOOD)



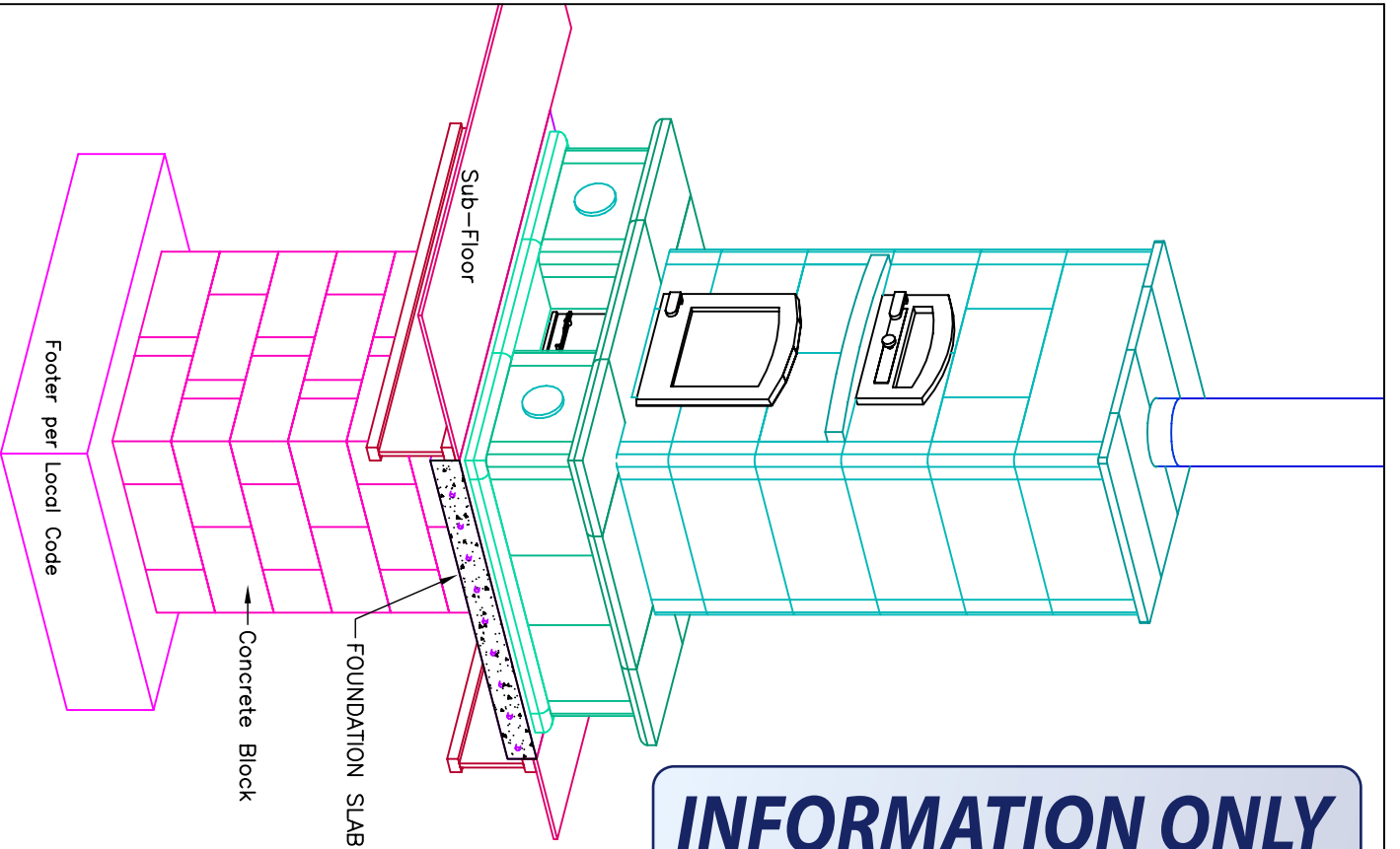
NOTE:
 TOP OF FOUNDATION SLAB TO BE LEVEL AND FLUSH WITH SUB-FLOOR
 Tolerances:
 +/- 1/8" No additional cost to level slab
 +/- 1/4" \$150.00-\$200.00 additional cost to level slab
 +/- 1/2" \$500.00 additional cost to level slab

Footer per Local Code

NON-COMBUSTIBLE CEMENT BOARD UNDER FOUNDATION SLAB (NOT PLYWOOD)
 Concrete Block

UNIT WEIGHT: 10,000lbs.

Owner/Contractor is responsible for engineering Foundation Slab to support weight of fireplace.



INFORMATION ONLY



MID-ATLANTIC MASONRY HEAT
 McIntire Business Park
 Charlottesville, VA 22903
 (434)979-9709 Fax 434-979-6416

PROJECT DEWITT	CONTRACT 5623	VIEW Foundation Slab	PAGE
MODEL TTU2700/5	DRAWN BY G.DIFIORE/D.P.BYRAM	DATE 2/16/04	

TOP EXIT (Cathedral Ceiling) DETAIL

2 inch Minimum Clearance To Combustibles According to Manufacturer's Instructions

Cathedral Ceiling Support Box by others

Close Clearance DVL Adapter by others

8" I.D. Double Wall Black Flue Pipe by others

Sheet Rock by others

DVL Black Pipe Stove Adapter by others

Damper by Mid-Atlantic

INFORMATION ONLY