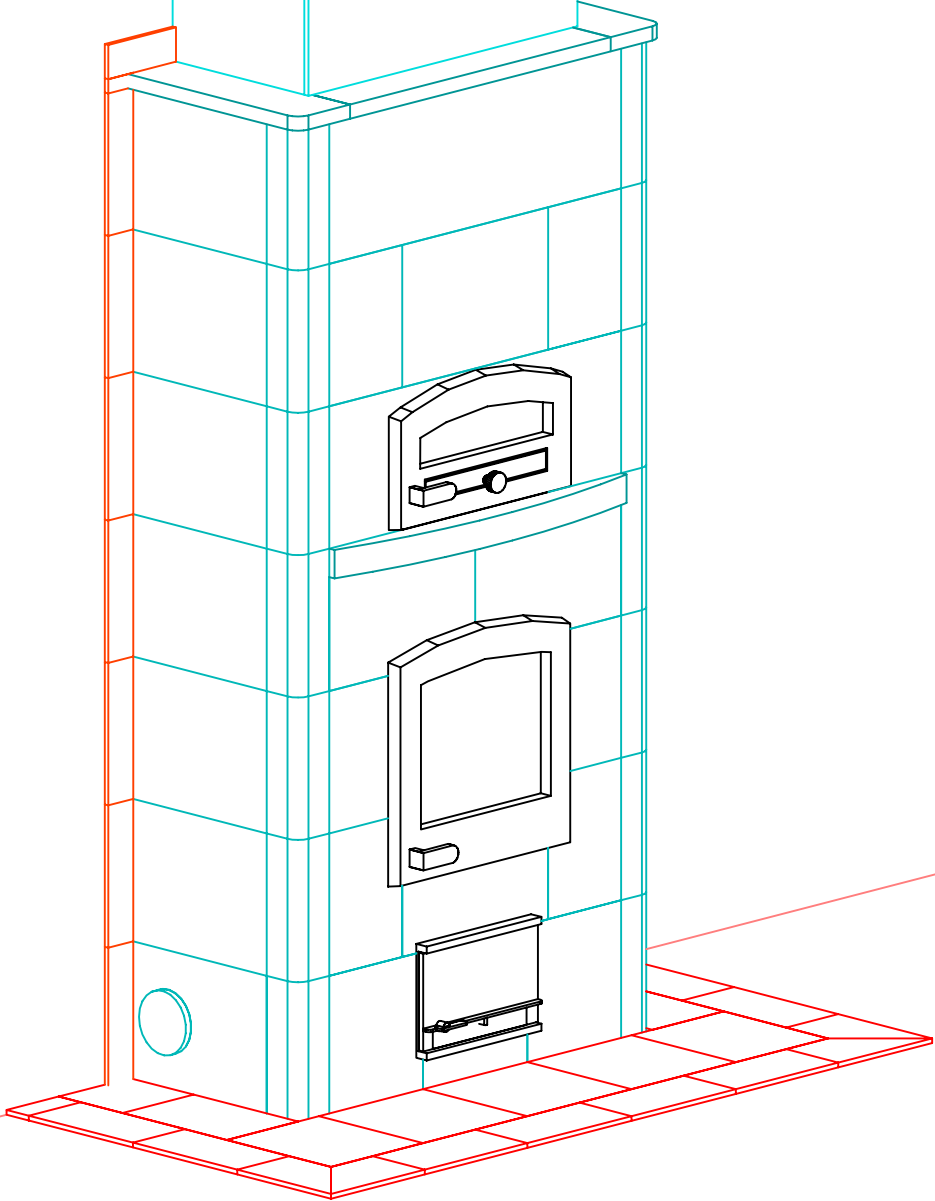


Revision: 1 Date: 12/24/02 By: DPB

Revision: 2 Date: 7/14/03 By: DPB

INFORMATION ONLY



NOTE: Hearth and Wall Tiles CUT AND INSTALLED by others.



MID-ATLANTIC MASONRY HEAT
McIntire Business Park
Charlottesville, VA 22903
(434)979-9707 Fax 434-979-6416

PROJECT FISCHER
MODEL TTU2700/5

CONTRACT 5166
DRAWN BY D.POWLEY

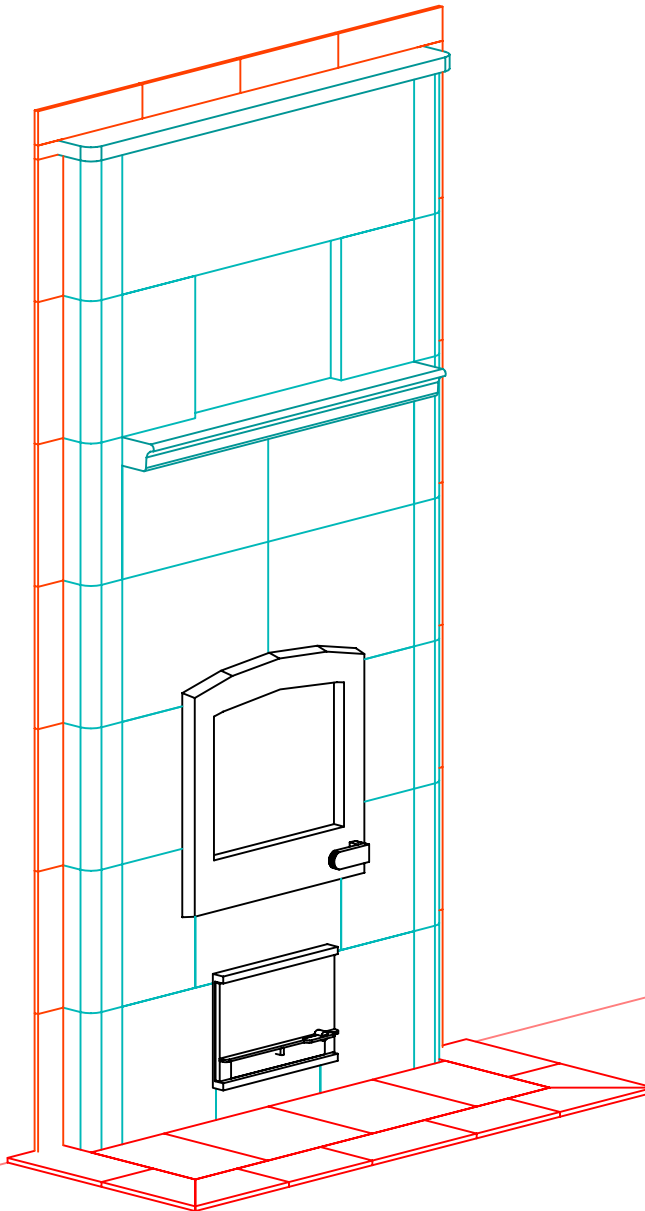
VIEW ISOMETRIC
DATE 2/19/02

PAGE 1

Revision: 1 Date: 12/24/02 By: DPB

Revision: 2 Date: 7/14/03 By: DPB

INFORMATION ONLY



NOTE: Hearth and Wall Tiles CUT AND INSTALLED by others.



MID-ATLANTIC MASONRY HEAT
McIntire Business Park
Charlottesville, VA 22903
(434)979-9707 Fax 434-979-6416

PROJECT FISCHER
MODEL TTU2700/5

CONTRACT 5166
DRAWN BY D.POWLEY

VIEW ISOMETRIC
DATE 2/19/02

PAGE

2

Revision: 1	Date: 12/24/02	By: DPB
Revision: 2	Date: 7/14/03	By: DPB

INFORMATION ONLY

Sheetrock Chase
by others

NO Combustible Material
within 10" of TOP of Unit
USE CEMENT BOARD
& METAL STUDS

NO Combustible Material
within 14" of SIDES
of Unit
USE CEMENT BOARD
& METAL STUDS

Main Damper Control

Bypass Damper Control

Wall Tiles
INSTALLED
by others

2130mm [83.9in]

1020mm [40.2in]

NOTES:

- NO Combustible Material within 10" of TOP of Unit—USE CEMENT BOARD & METAL STUDS
- NO Combustible Material within 14" of SIDES of Unit—USE CEMENT BOARD & METAL STUDS
- Hearth Tiles— CUT AND INSTALLED by others
- Wall Tiles— CUT AND INSTALLED by others



MID-ATLANTIC MASONRY HEAT
McIntire Business Park
Charlottesville, VA 22903
(434)979-9707 Fax 434-979-6416

PROJECT FISCHER
MODEL TTU2700/5

CONTRACT 5166
DRAWN BY D.POWLEY

VIEW FRONT
DATE 2/19/02

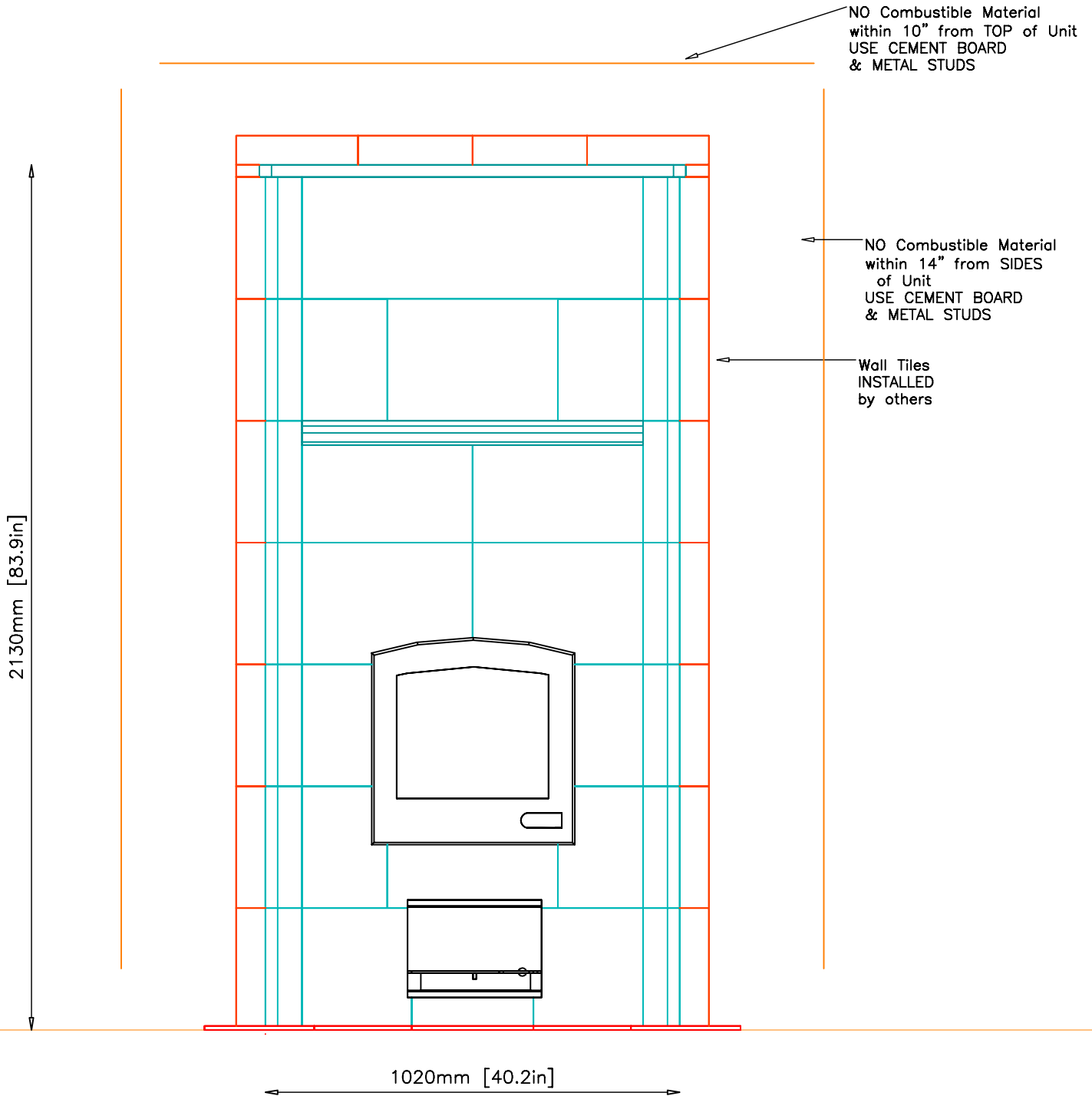
PAGE

3

Revision: 1 Date: 12/24/02 By: DPB

Revision: 2 Date: 7/14/03 By: DPB

INFORMATION ONLY



NOTES:

- NO Combustible Material within 10" of TOP of Unit—USE CEMENT BOARD & METAL STUDS
- NO Combustible Material within 14" of SIDES of Unit—USE CEMENT BOARD & METAL STUDS
- Hearth Tiles— CUT AND INSTALLED by others
- Wall Tiles— CUT AND INSTALLED by others



MID-ATLANTIC MASONRY HEAT
 McIntire Business Park
 Charlottesville, VA 22903
 (434)979-9707 Fax 434-979-6416

PROJECT FISCHER
 MODEL TTU2700/5

CONTRACT 5166
 DRAWN BY D.POWLEY

VIEW BACK
 DATE 2/19/02

PAGE

4

Revision: 1 Date: 12/24/02 By: DPB

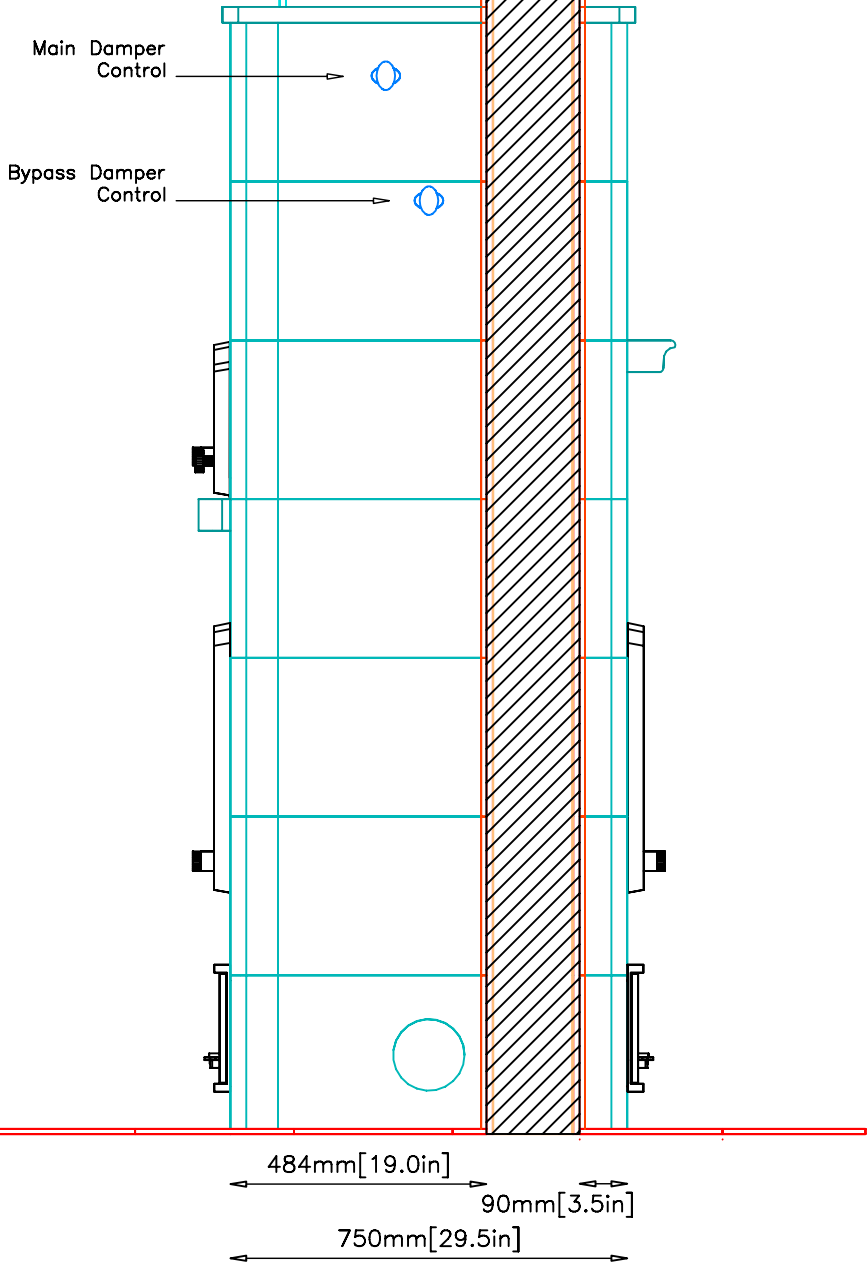
Revision: 2 Date: 7/14/03 By: DPB

INFORMATION ONLY

Sheetrock Chase by others
Masonry Wall with Sheetrock by others

NO Combustible Material within 10" of TOP of Unit
USE CEMENT BOARD & METAL STUDS

2130mm [83.9in]



NOTE: Hearth and Wall Tiles CUT AND INSTALLED by others.



MID-ATLANTIC MASONRY HEAT
McIntire Business Park
Charlottesville, VA 22903
(434)979-9707 Fax 434-979-6416

PROJECT FISCHER
MODEL TTU2700/5

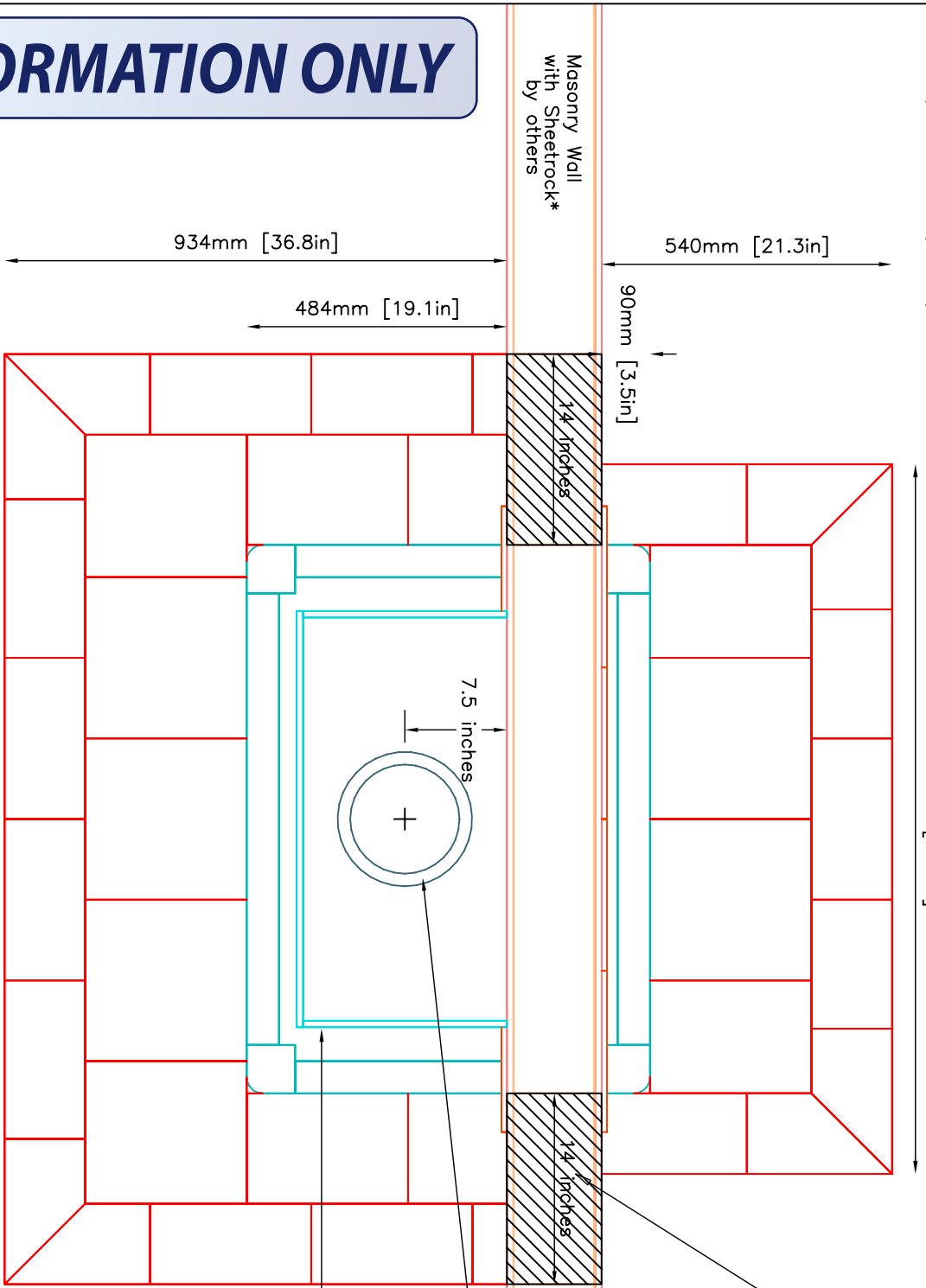
CONTRACT 5166
DRAWN BY D.POWLEY

VIEW SIDE
DATE 2/19/02

PAGE 5

Revision: 1	Date: 12/24/02	By: DPB
Revision: 2	Date: 7/14/03	By: DPB

INFORMATION ONLY



*NO Combustible Materials within 14" of SIDES of Unit USE CEMENT BOARD & METAL STUDS

Masonry Wall with Sheetrock* by others

8" I.D./10" O.D. Double Wall Stainless Steel Flue Pipe by others. MINIMUM 2" Clearance to Combustibles.

Sheetrock Chimney Chase by others. NO combustible materials WITHIN 10" of TOP of Fireplace. USE CEMENT BOARD AND METAL STUDS.

1020mm [40.2in]
1730mm [68.1in]

- NOTES:
- 8" I.D./10" O.D. Double Wall Stainless Steel Flue Pipe MINIMUM 2" to Combustibles--INSTALLED by others
 - NO Combustible Material within 10" of TOP of Unit--USE CEMENT BOARD & METAL STUDS
 - NO Combustible Material within 14" of SIDES of Unit--USE CEMENT BOARD & METAL STUDS
 - Hearth Tiles-- CUT AND INSTALLED by others

Revision: 1	Date: 12/24/02	By: DPB
Revision: 2	Date: 7/14/03	By: DPB

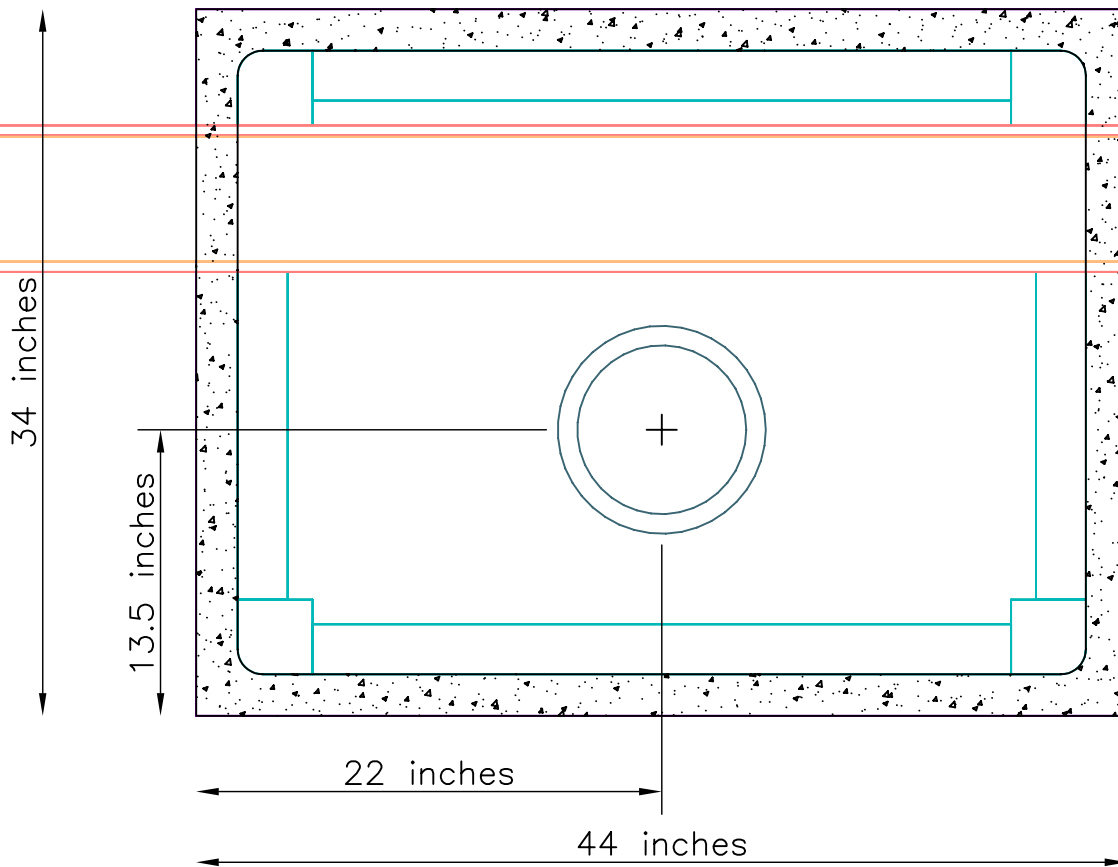
INFORMATION ONLY

FOUNDATION SLAB

Minimum 4" Thick Poured Concrete With Rebar 6"O.C.
 Minimum Dimensions--2" from Base of Unit

FLUE LOCATION

From Lower Left Corner of Foundation Slab
 13.5 inches x 22 inches to CENTER of Flue Pipe



NOTE:
 TOP OF FOUNDATION SLAB TO BE LEVEL AND FLUSH WITH SUB-FLOOR
 Tolerances: +/- 1/8" No additional cost to adjust slab
 +/- 1/4" \$150.00-\$200.00 additional cost to adjust slab
 +/- 1/2" \$500.00 additional cost to adjust slab

UNIT WEIGHT: MINIMUM 6000lbs.
 Contractor is responsible for engineering foundation slab to support weight of fireplace.



MID-ATLANTIC MASONRY HEAT
 1229 Harris Street Suite 1
 Charlottesville, VA 22903
 (434)979-9709 Fax 434-979-6416

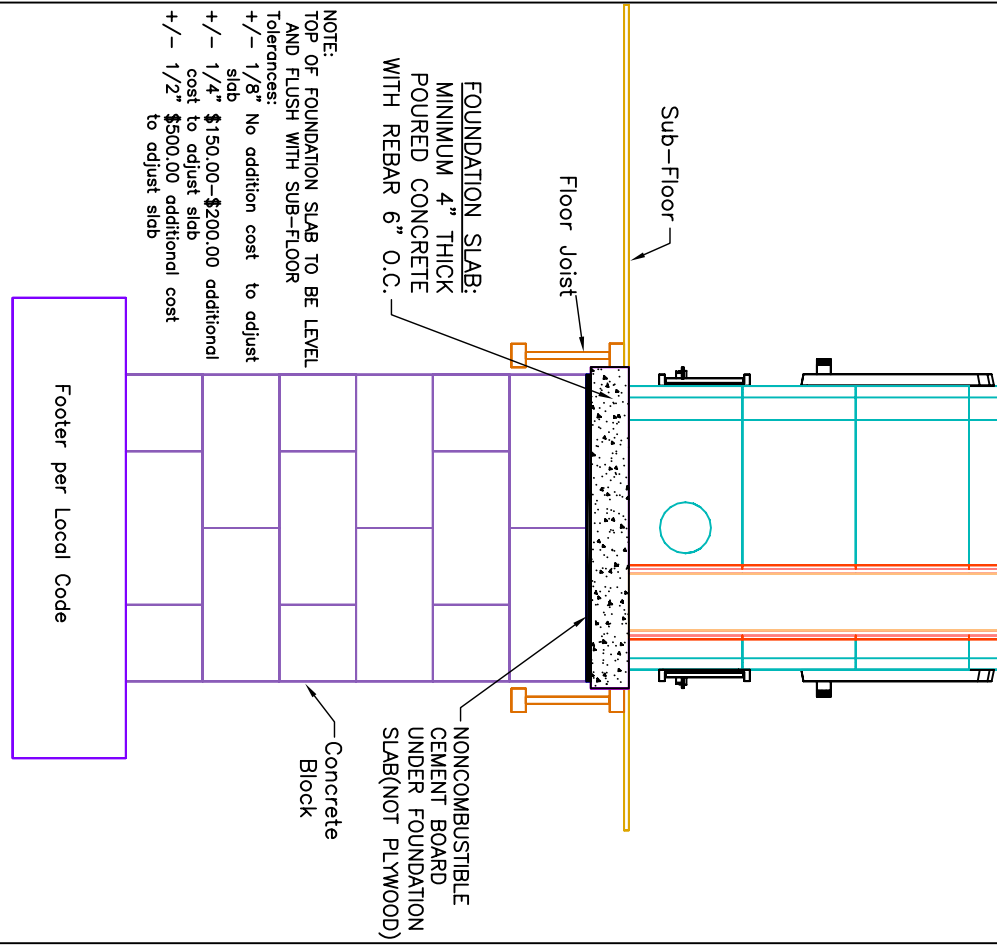
PROJECT FISCHER
 MODEL TTU2700/5

CONTRACT 5166
 DRAWN BY D.P.BYRAM

VIEW SUPPORT
 DATE 2/19/02

Revision: 1	Date: 12/24/02	By: DPB
Revision: 2	Date: 7/14/03	By: DPB

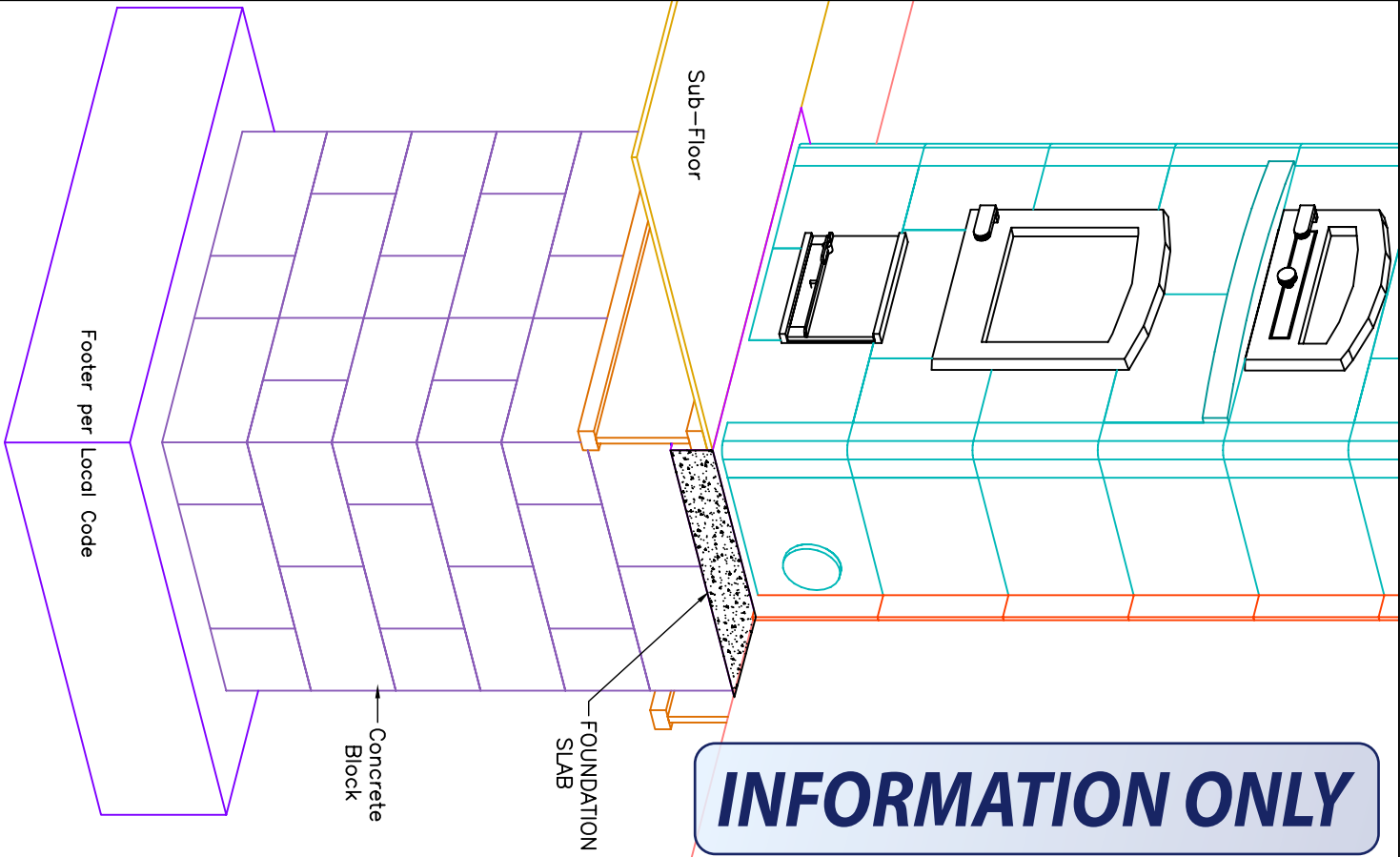
FOUNDATION SLAB:
 *MINIMUM 4" THICK
 WITH REBAR 6" O.C.
 *NONCOMBUSTIBLE
 Cement board
 under foundation
 slab (NOT PLYWOOD)



NOTE:
 TOP OF FOUNDATION SLAB TO BE LEVEL
 AND FLUSH WITH SUB-FLOOR

Tolerances:
 +/- 1/8" No addition cost to adjust
 slab
 +/- 1/4" \$150.00-\$200.00 additional
 cost to adjust slab
 +/- 1/2" \$500.00 additional cost
 to adjust slab

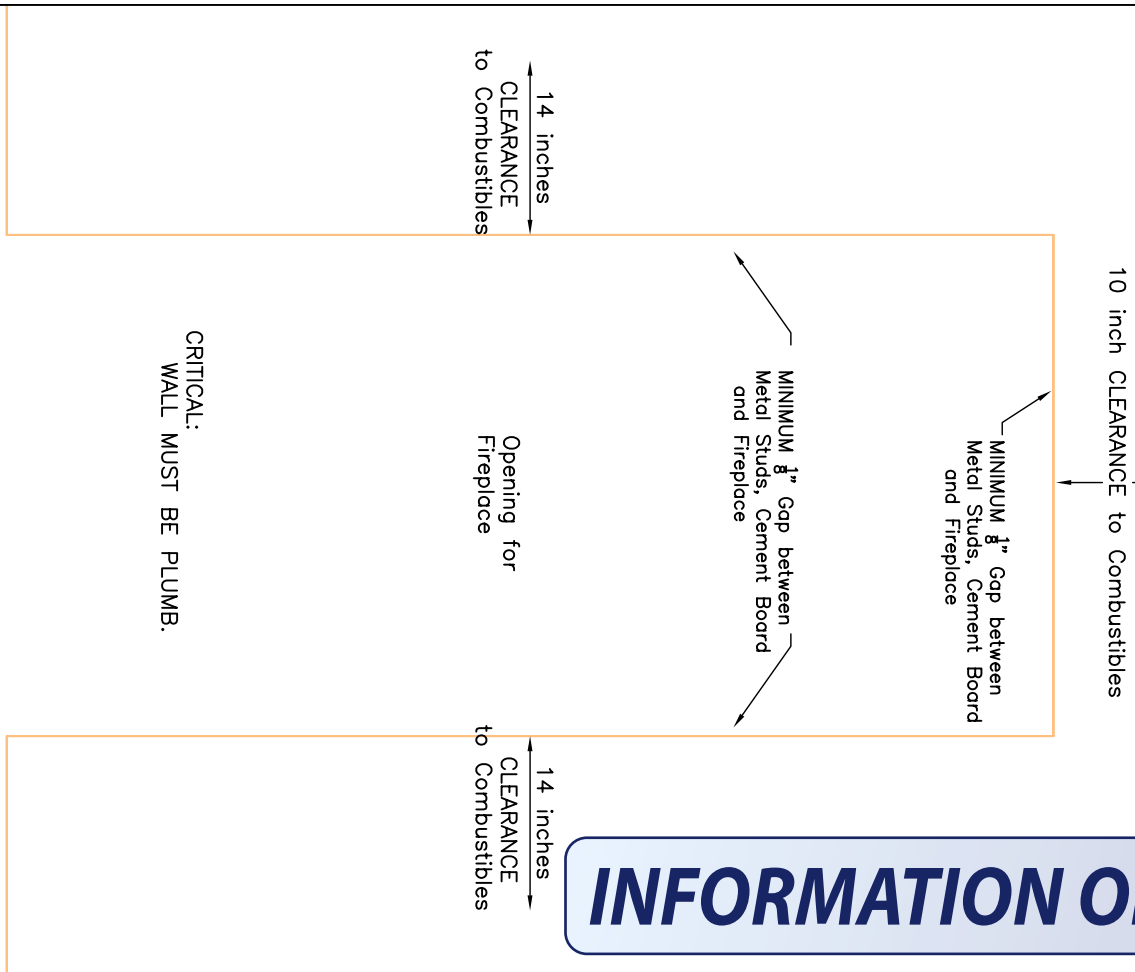
UNIT WEIGHT: MINIMUM 6000lbs.
 Contractor is responsible for engineering foundation slab to support weight of fireplace.



INFORMATION ONLY

Revision: 1	Date: 12/24/02	By: DPB
Revision: 2	Date: 7/14/03	By: DPB

Wall Detail



INFORMATION ONLY

Clearances to Combustible Materials:
 MINIMUM 10" Clearance to Combustible Material from TOP of Fireplace.
 MINIMUM 14" Clearance to Combustible Material from SIDES of Fireplace.
 Use Metal Studs and Cement Board.

CRITICAL:
 WALL MUST BE PLUMB.

