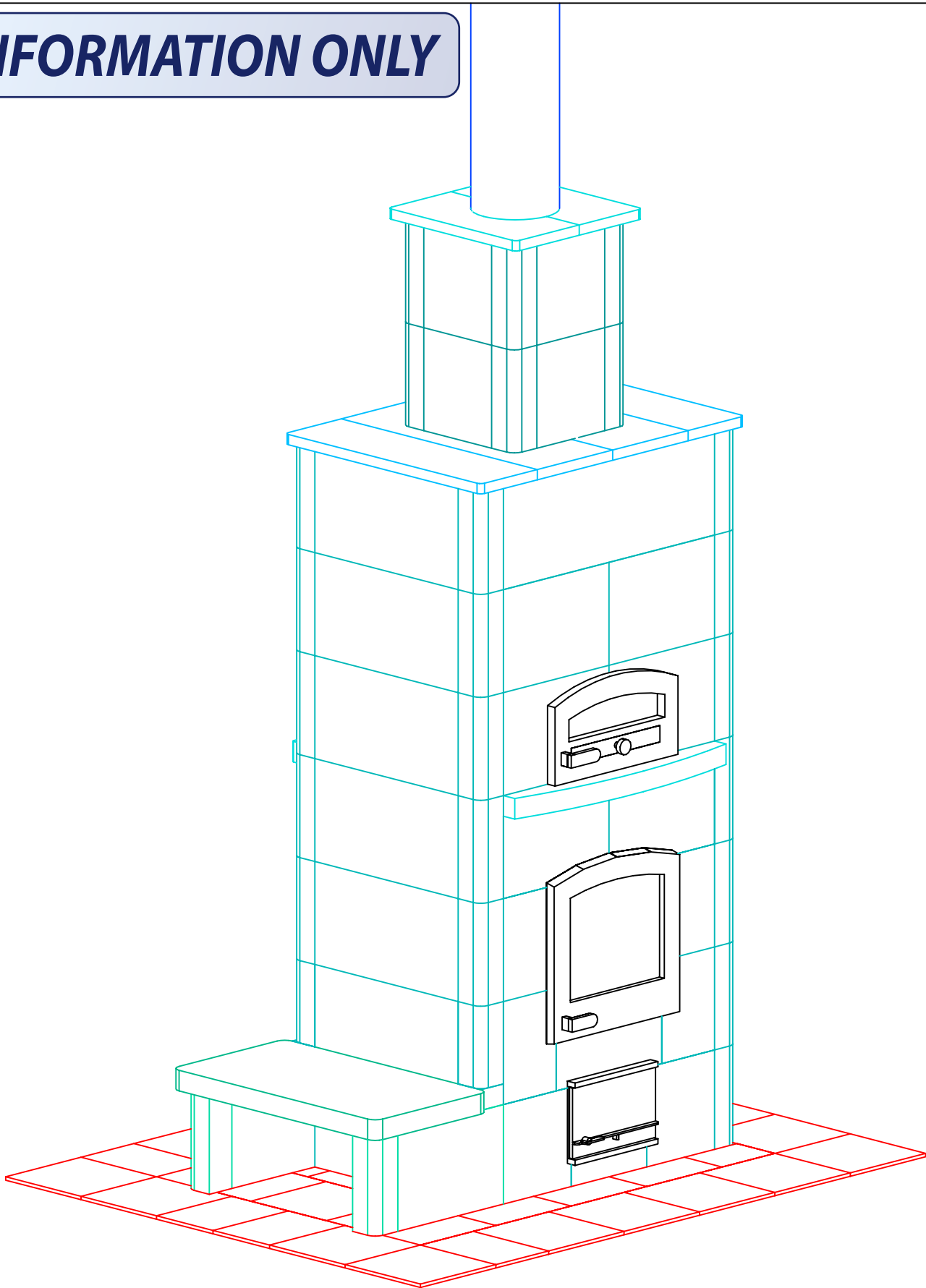


INFORMATION ONLY



NOTE: Hearth Tiles CUT AND INSTALLED by others



MID-ATLANTIC MASONRY HEAT
1229 Harris Street Suite 1
Charlottesville, VA 22903
(434)979-9709 Fax 434-979-6416

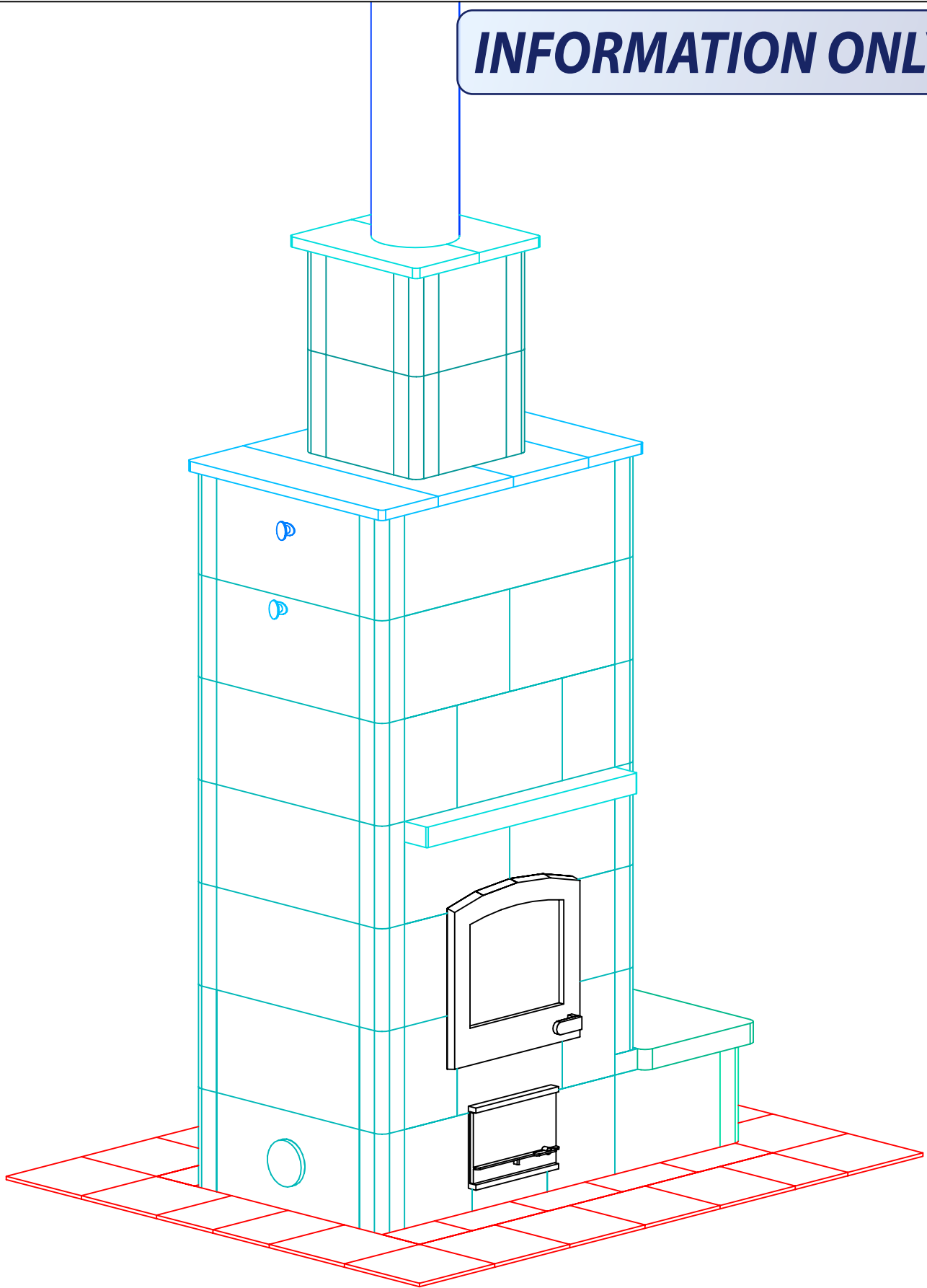
PROJECT HAGGARD
MODEL TTU2700/5

CONTRACT
DRAWN BY D.P.BYRAM

VIEW PERSPECTIVE
DATE 4/17/03

PAGE 1

INFORMATION ONLY



NOTE: Hearth Tiles CUT AND INSTALLED by others



MID-ATLANTIC MASONRY HEAT
1229 Harris Street Suite 1
Charlottesville, VA 22903
(434)979-9709 Fax 434-979-6416

PROJECT HAGGARD
MODEL TTU2700/5

CONTRACT
DRAWN BY D.P.BYRAM

VIEW PERSPECTIVE
DATE 4/17/03

PAGE 2

DININGROOM VIEW

INFORMATION ONLY

630mm [24.8in]

2130mm [83.9in]

420mm [16.5in]

1020mm [40.2in]

8" I.D./10" O.D.
Double Wall
Stainless Steel
Flue Pipe
by others.

Soapstone
Chimney
Chase
by Mid-Atlantic

Main Damper
Control

Bypass Damper
Control



MID-ATLANTIC MASONRY HEAT
1229 Harris Street Suite 1
Charlottesville, VA 22903
(434)979-9709 Fax 434-979-6416

PROJECT HAGGARD
MODEL TTU2700/5

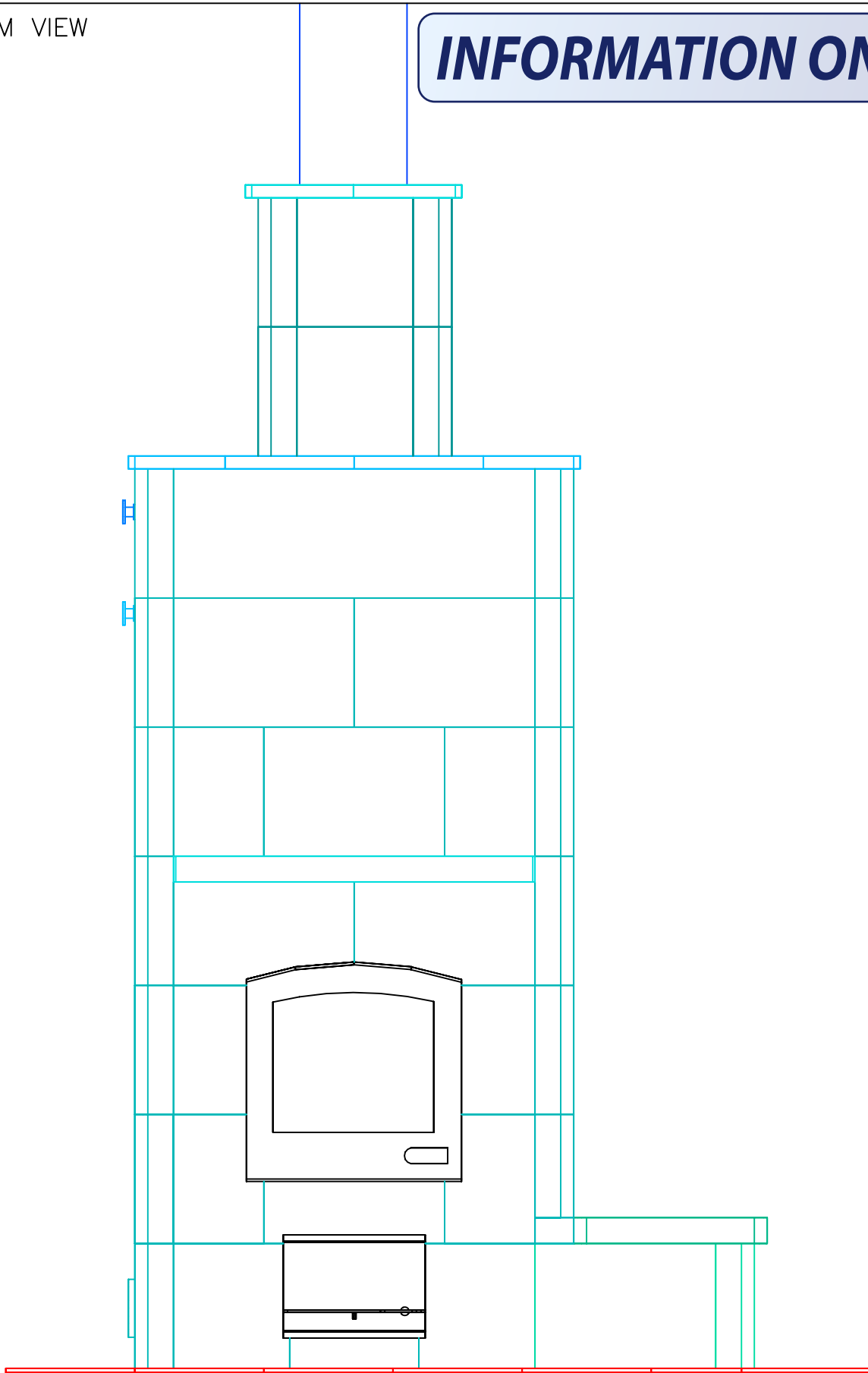
CONTRACT
DRAWN BY D.P.BYRAM

VIEW FRONT
DATE 4/17/03

PAGE 3

LIVINGROOM VIEW

INFORMATION ONLY



MID-ATLANTIC MASONRY HEAT
1229 Harris Street Suite 1
Charlottesville, VA 22903
(434)979-9709 Fax 434-979-6416

PROJECT HAGGARD
MODEL TTU2700/5

CONTRACT
DRAWN BY D.P.BYRAM

VIEW FRONT
DATE 4/17/03

PAGE

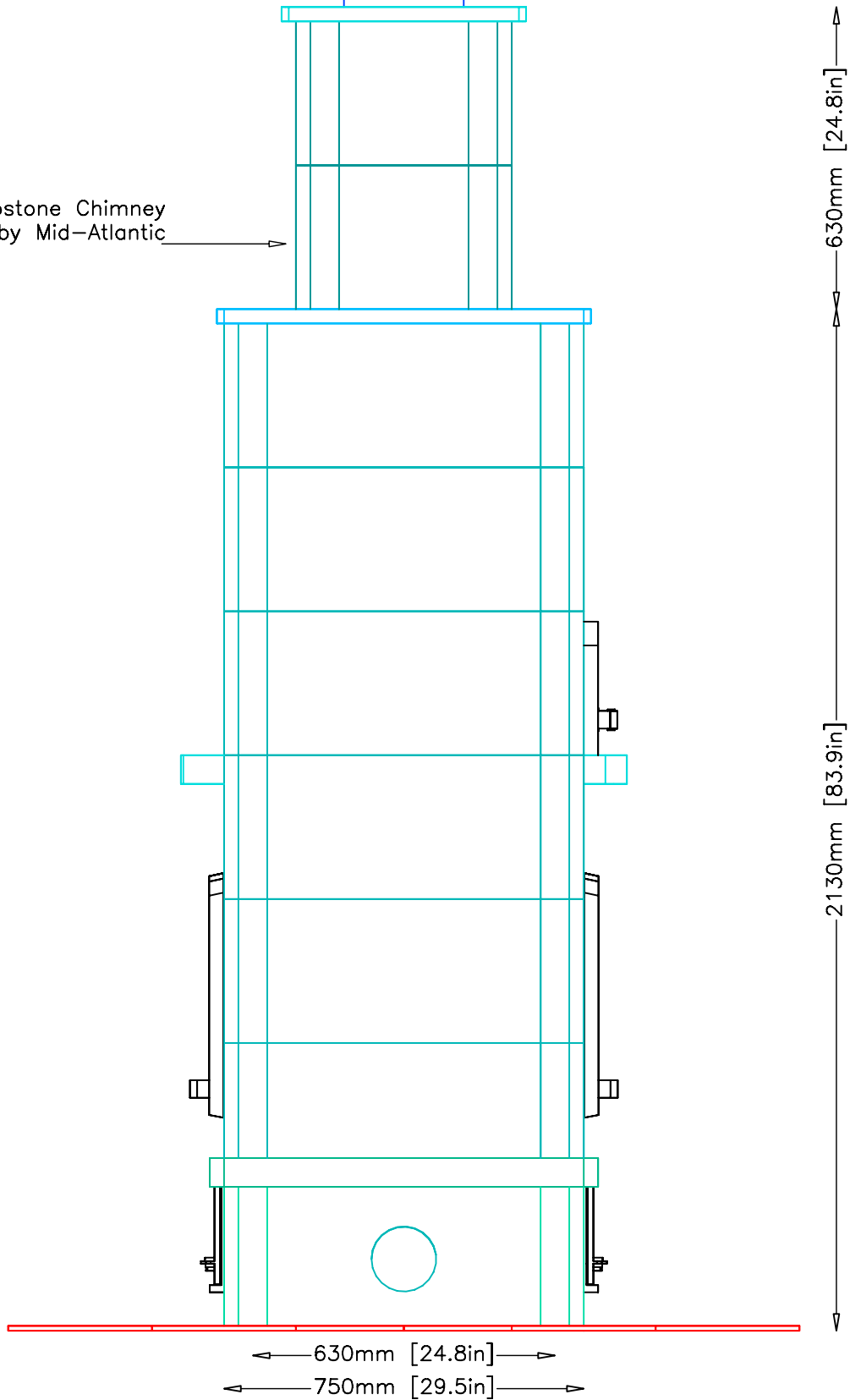
4

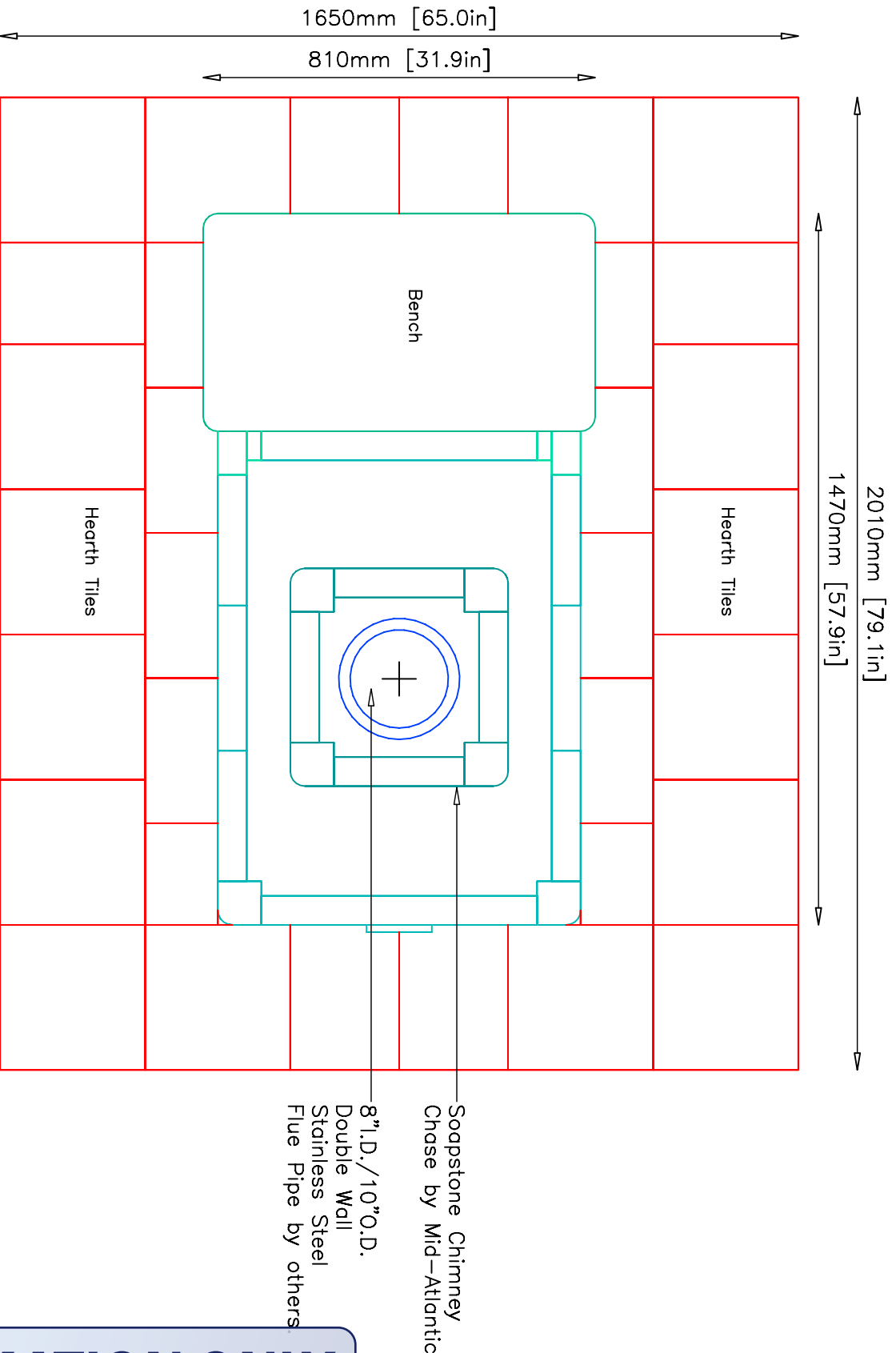
SIDE VIEW

INFORMATION ONLY

8" I.D./10" O.D.
Double Wall
Stainless Steel
Flue Pipe by others.

Soapstone Chimney
Chase by Mid-Atlantic





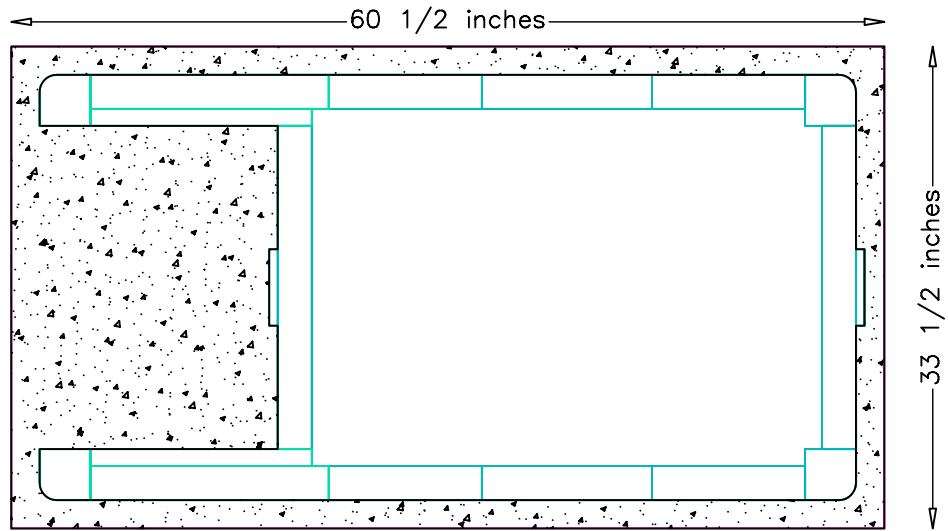
NOTE: Hearth Tiles CUT AND INSTALLED by others

See page 7 for Flue Location.

INFORMATION ONLY

	MID-ATLANTIC MASONRY HEAT 1229 Harris Street Suite 1 Charlottesville, VA 22903 (434)979-9709 Fax 434-979-6416	PROJECT	HAGGARD	CONTRACT	VIEW	PLAN	PAGE 6
		MODEL	TTU2700/5	DRAWN BY	D.P.BYRAM	DATE	

CAPPING SLAB
 Minimum Dimensions--2" from Base of Unit

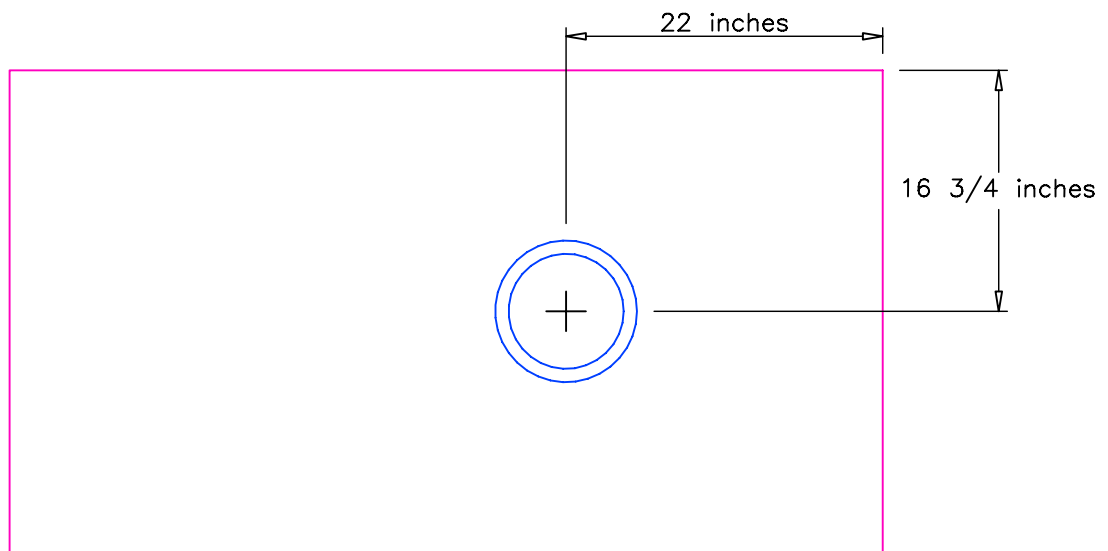


NOTE:
 TOP OF CAPPING SLAB TO BE LEVEL
 AND FLUSH WITH SUB-FLOOR
 Tolerances:
 +/- 1/8" No addition cost to adjust slab
 +/- 1/4" \$150.00-\$200.00 additional cost to adjust slab
 +/- 1/2" \$500.00 additional cost to adjust slab

INFORMATION ONLY

UNIT WEIGHT: MINIMUM 7200lbs.
 Contractor is responsible for engineering capping slab to support weight of fireplace.

FLUE LOCATION



Flue Location: From Upper Right Corner of Capping Slab 22"x16³/₄" To CENTER of Flue Pipe.
 Flue System: 8" I.D./10" O.D. Double Wall Stainless Steel Flue Pipe by others.