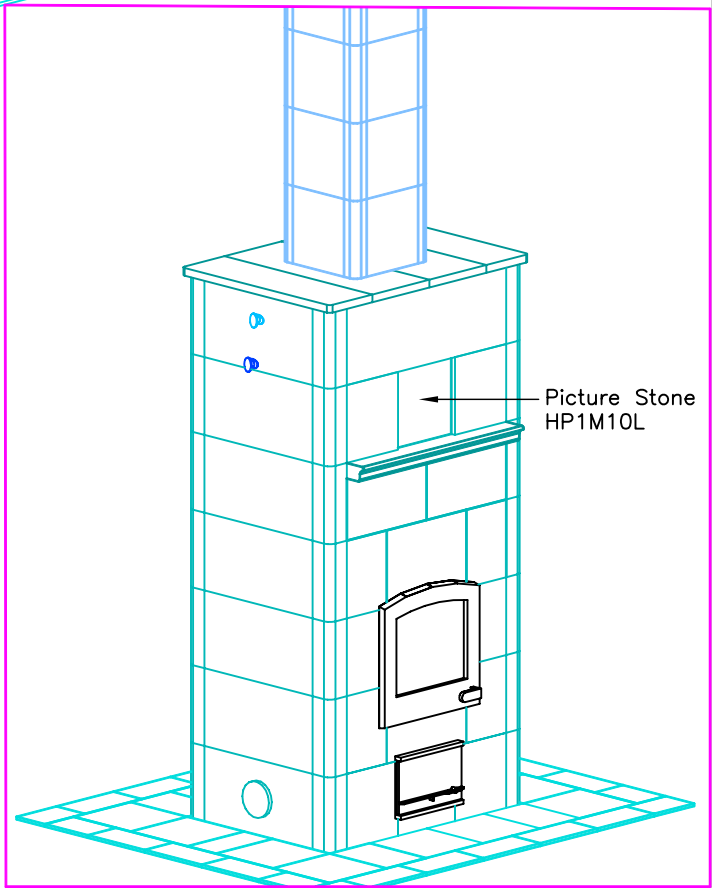
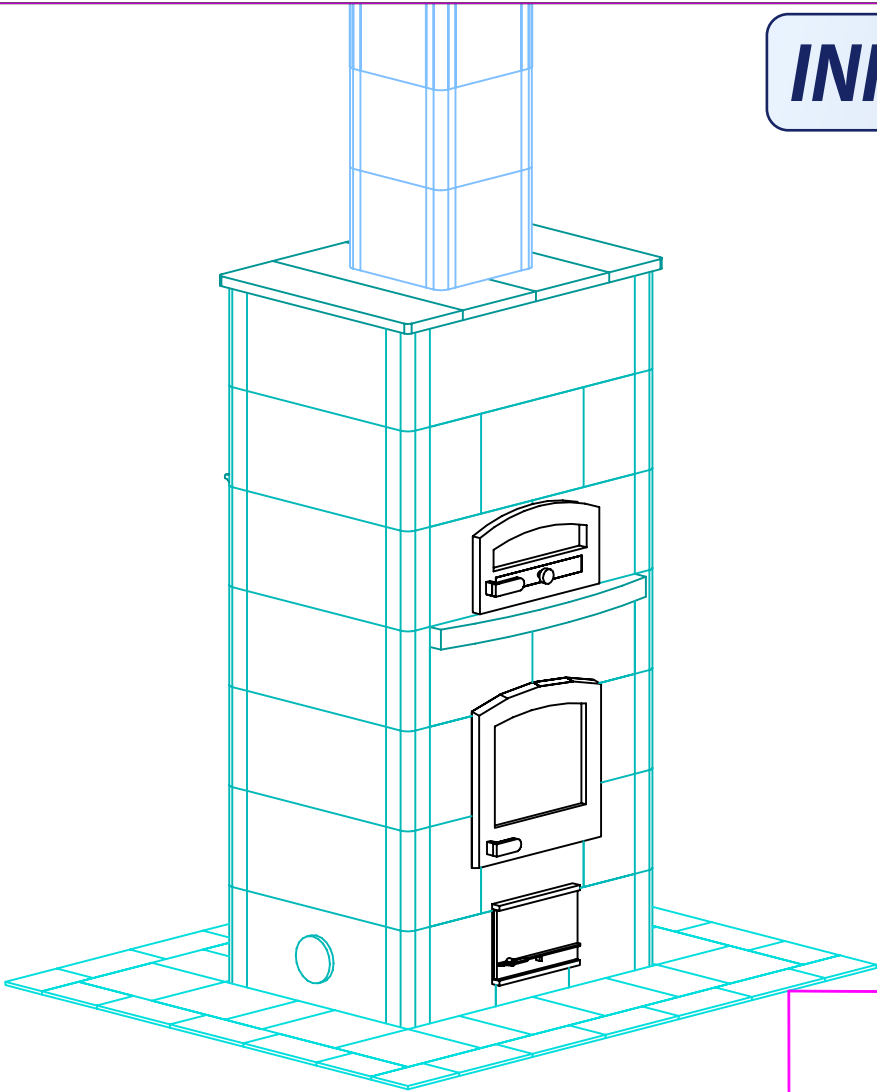


INFORMATION ONLY



NOTE: Hearth Tiles CUT AND INSTALLED by others



MID-ATLANTIC MASONRY HEAT
 1229 Harris Street Suite 1
 Charlottesville, VA 22903
 (434)979-9709 Fax 434-979-6416

PROJECT OLSON
 MODEL TTU2700/5

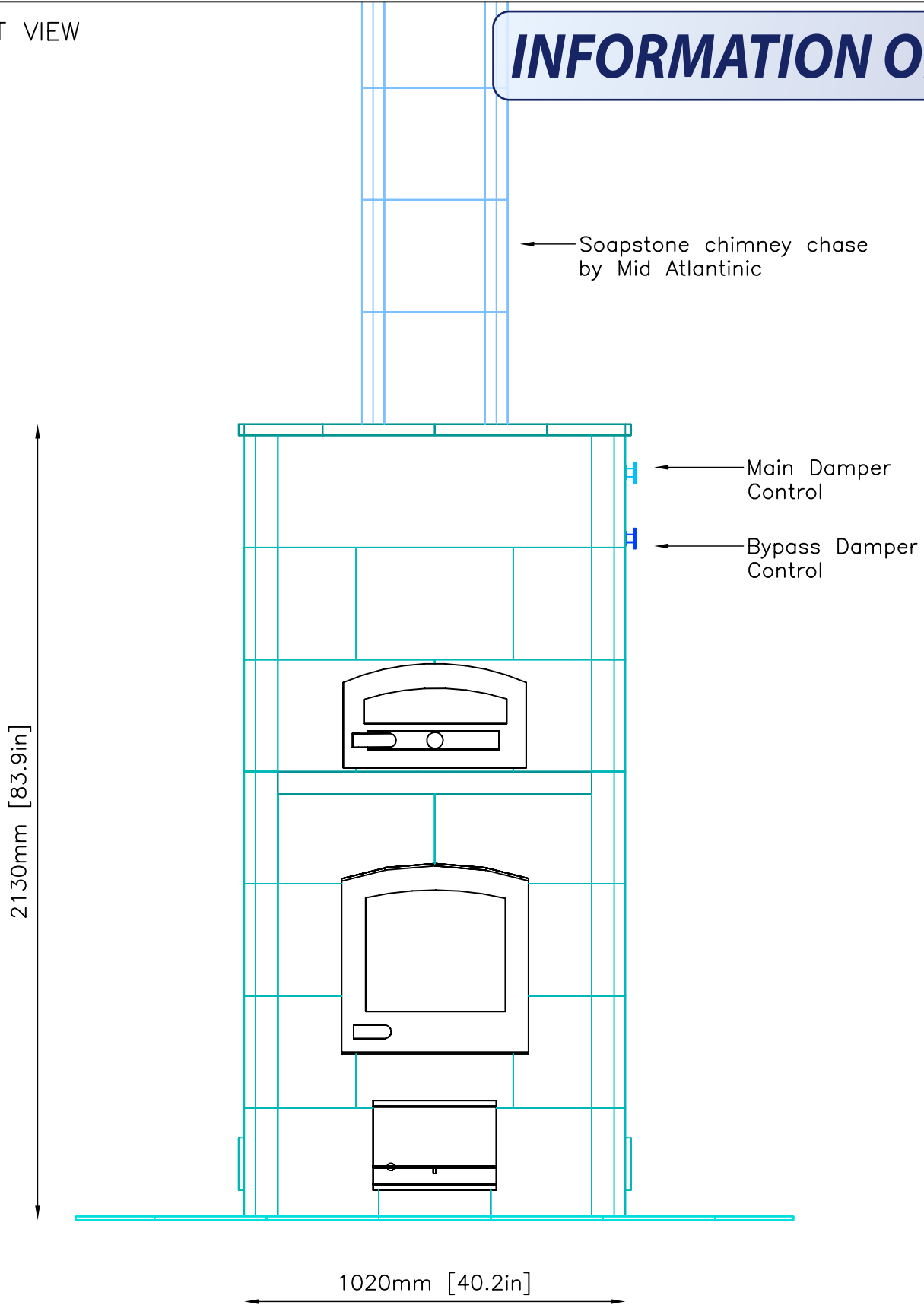
CONTRACT 5669
 DRAWN BY J. CHAMPION

VIEW PERSPECTIVE
 DATE 09/07/04

PAGE 1

FRONT VIEW

INFORMATION ONLY



NOTE: Hearth Tiles CUT AND INSTALLED by others



MID-ATLANTIC MASONRY HEAT
1229 Harris Street Suite 1
Charlottesville, VA 22903
(434)979-9709 Fax 434-979-6416

PROJECT OLSON
MODEL TTU2700/5

CONTRACT 5669
DRAWN BY J. CHAMPION

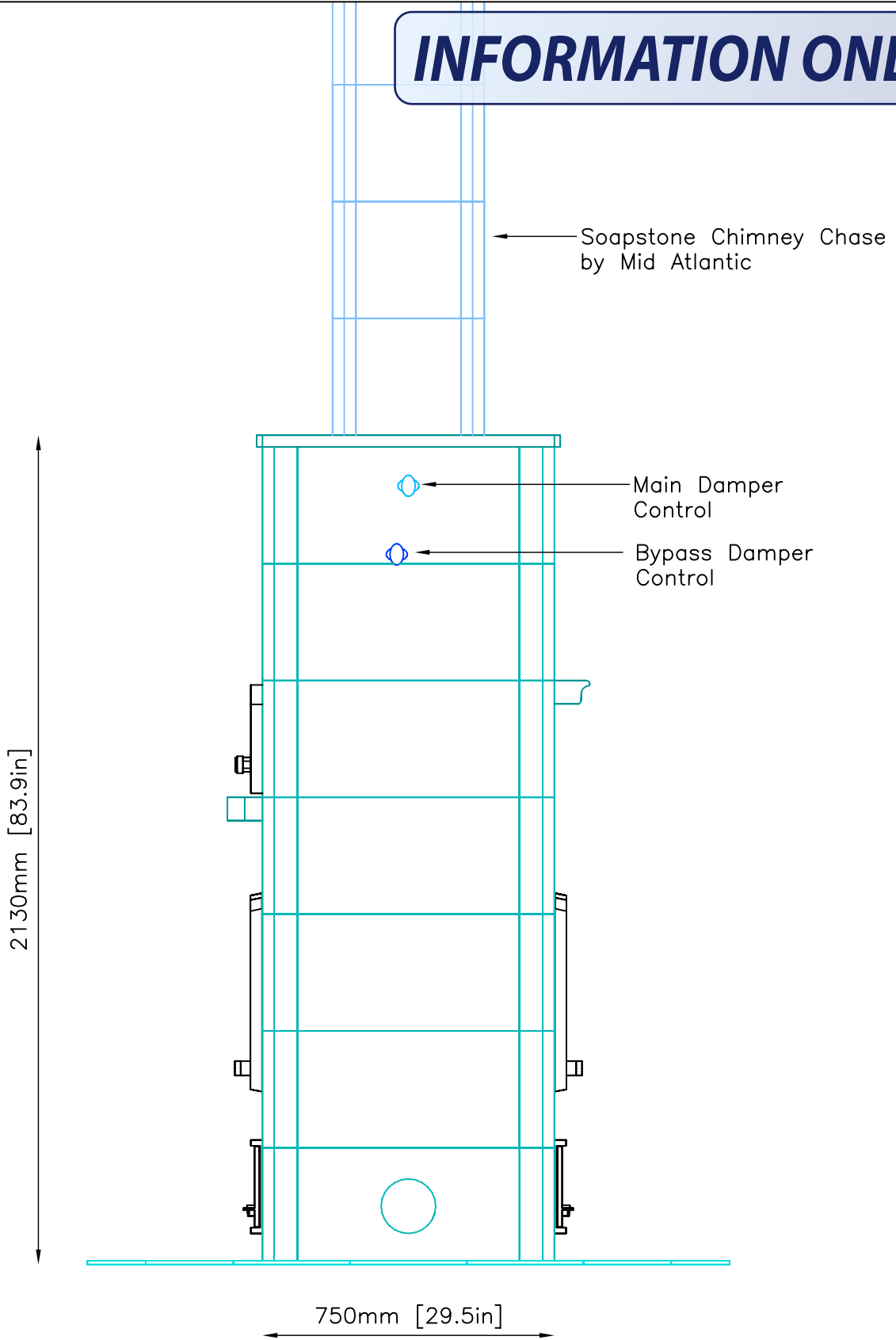
VIEW FRONT
DATE 09/07/04

PAGE

2

SIDE VIEW

INFORMATION ONLY



NOTE: Hearth Tiles CUT AND INSTALLED by others



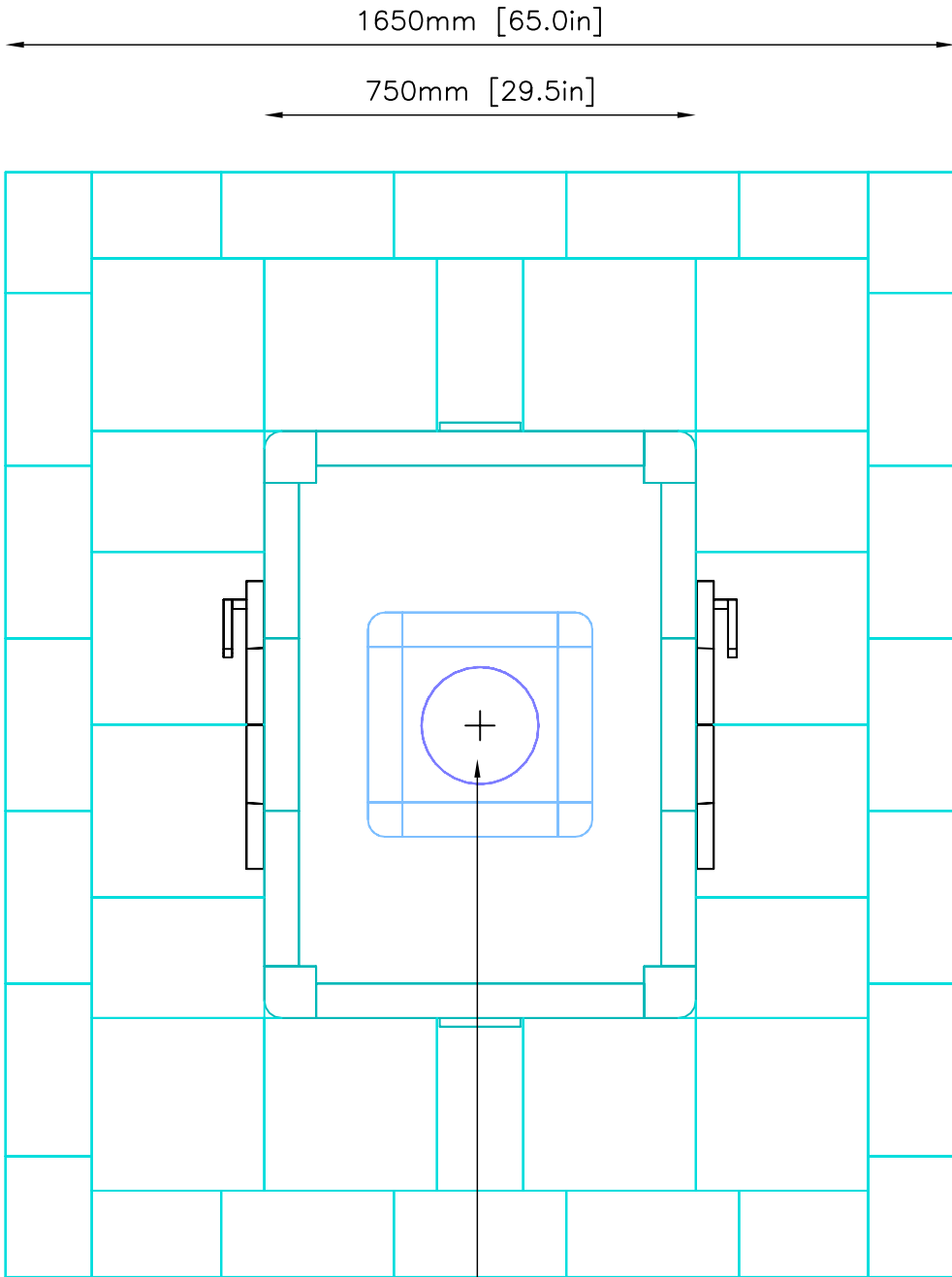
MID-ATLANTIC MASONRY HEAT
1229 Harris Street Suite 1
Charlottesville, VA 22903
(434)979-9709 Fax 434-979-6416

PROJECT OLSON
MODEL TTU2700/5

CONTRACT 5669
DRAWN BY J. CHAMPION

VIEW SIDE
DATE 09/07/04


PAGE 3



8".D./10"O.D. Double Wall
Stainless Steel Flue Pipe
by others
SEE PAGE 5 FOR
FLUE LOCATION

NOTE: Hearth Tiles CUT AND INSTALLED by others

INFORMATION ONLY

	MID-ATLANTIC MASONRY HEAT 1229 Harris Street Suite 1 Charlottesville, VA 22903 (434)979-9709 Fax 434-979-6416	PROJECT	CONTRACT	VIEW	PAGE
		OLSON	5669	PLAN	4
MODEL	DRAWN BY		DATE		
TTU2700/5	J. CHAMPION		09/07/04		