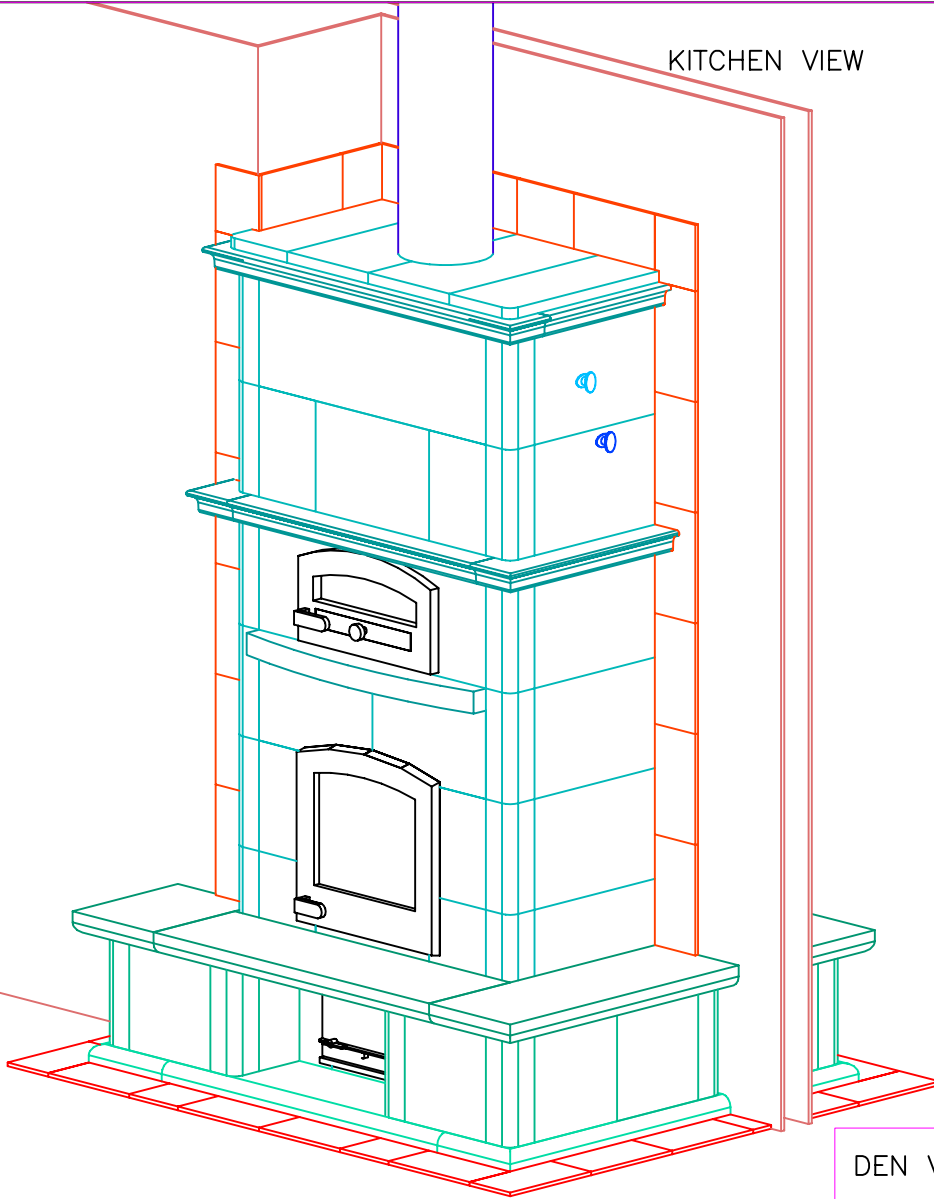
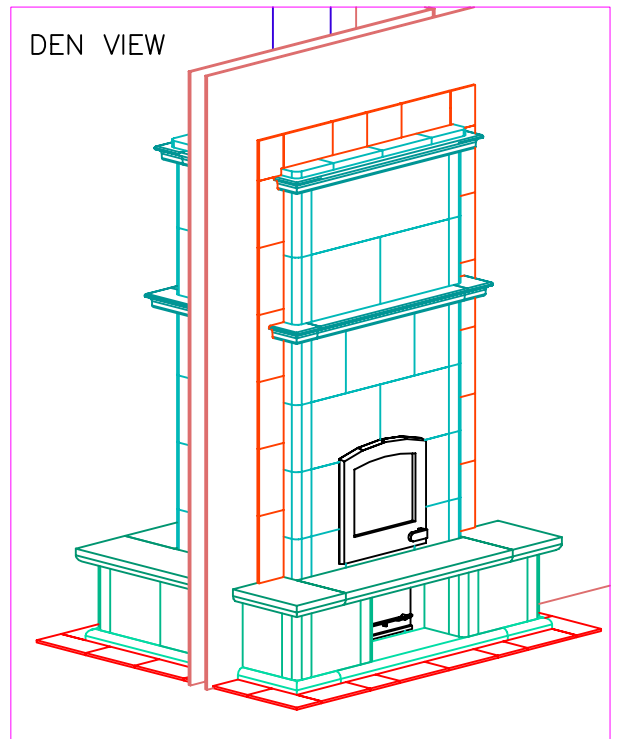


KITCHEN VIEW



DEN VIEW



INFORMATION ONLY

NOTE: Hearth & Wall Tiles CUT AND INSTALLED by others



MID-ATLANTIC MASONRY HEAT
 1229 Harris Street Suite 1
 Charlottesville, VA 22903
 (434)979-9709 Fax 434-979-6416

PROJECT SCHAPER
 MODEL TTU2700/5

CONTRACT
 DRAWN BY D.P.BYRAM

VIEW PERSPECTIVE
 DATE 10/14/03

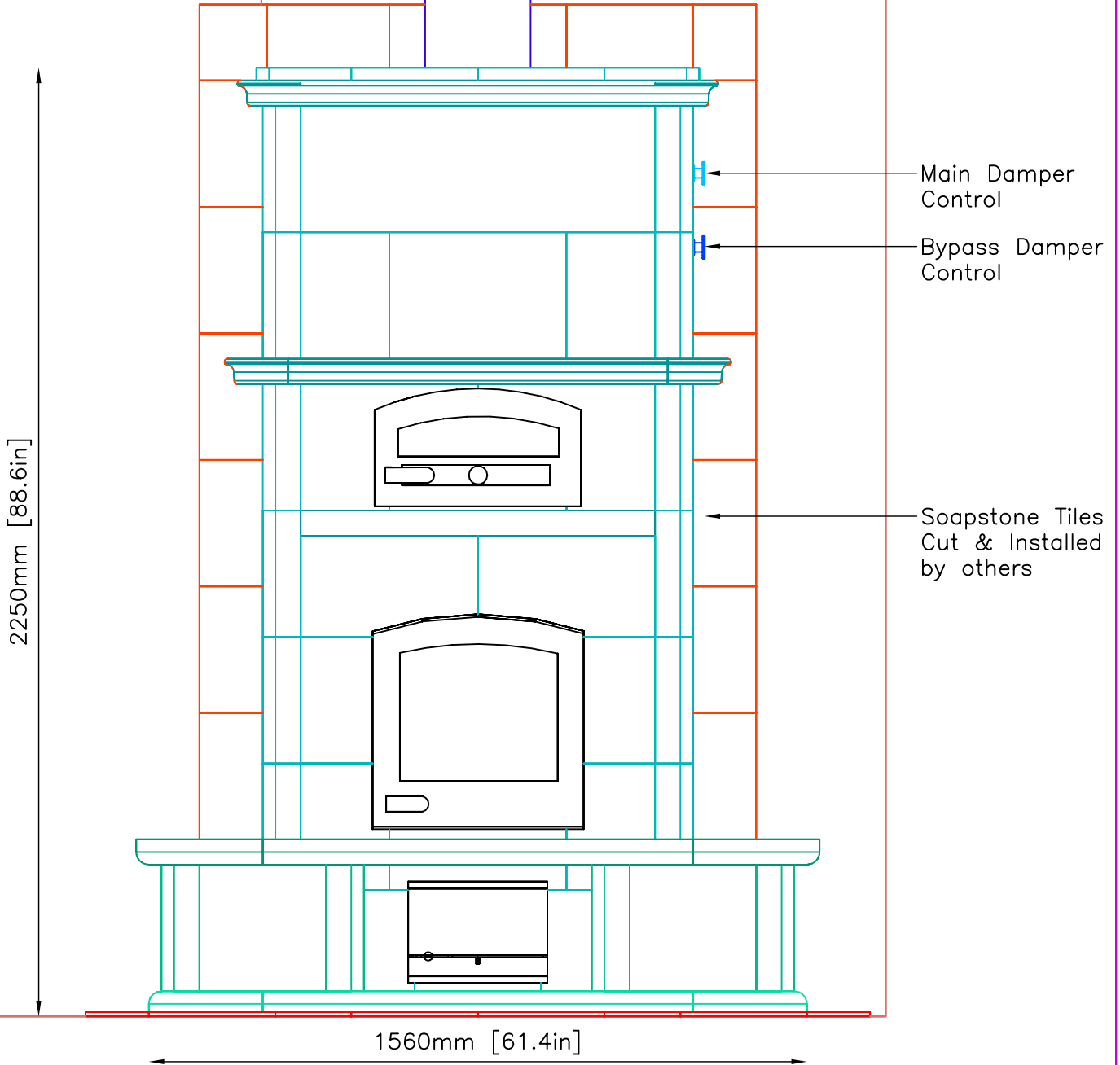
PAGE 1

KITCHEN VIEW

Note: No Combustible Material WITHIN 10" of TOP of Fireplace and 14" from SIDES of Fireplace.

INFORMATION ONLY

← 8" I.D./10" O.D. Double Wall Stainless Steel Flue Pipe by others.



NOTE: Hearth & Wall Tiles CUT AND INSTALLED by others



MID-ATLANTIC MASONRY HEAT
1229 Harris Street Suite 1
Charlottesville, VA 22903
(434)979-9709 Fax 434-979-6416

PROJECT SCHAPER
MODEL TTU2700/5

CONTRACT
DRAWN BY D.P.BYRAM

VIEW FRONT
DATE 10/14/03

PAGE

2

DEN VIEW

INFORMATION ONLY

Note: No Combustible Material WITHIN 10" of TOP of Fireplace and 14" from SIDES of Fireplace.

← 8" I.D./10" O.D. Double Wall Stainless Steel Flue Pipe by others.

2250mm [88.6in]

← Soapstone Tile Cut & Installed by others.

1560mm [61.4in]



MID-ATLANTIC MASONRY HEAT
1229 Harris Street Suite 1
Charlottesville, VA 22903
(434)979-9709 Fax 434-979-6416

PROJECT SCHAPER
MODEL TTU2700/5

CONTRACT
DRAWN BY D.P.BYRAM

VIEW BACK
DATE 10/14/03

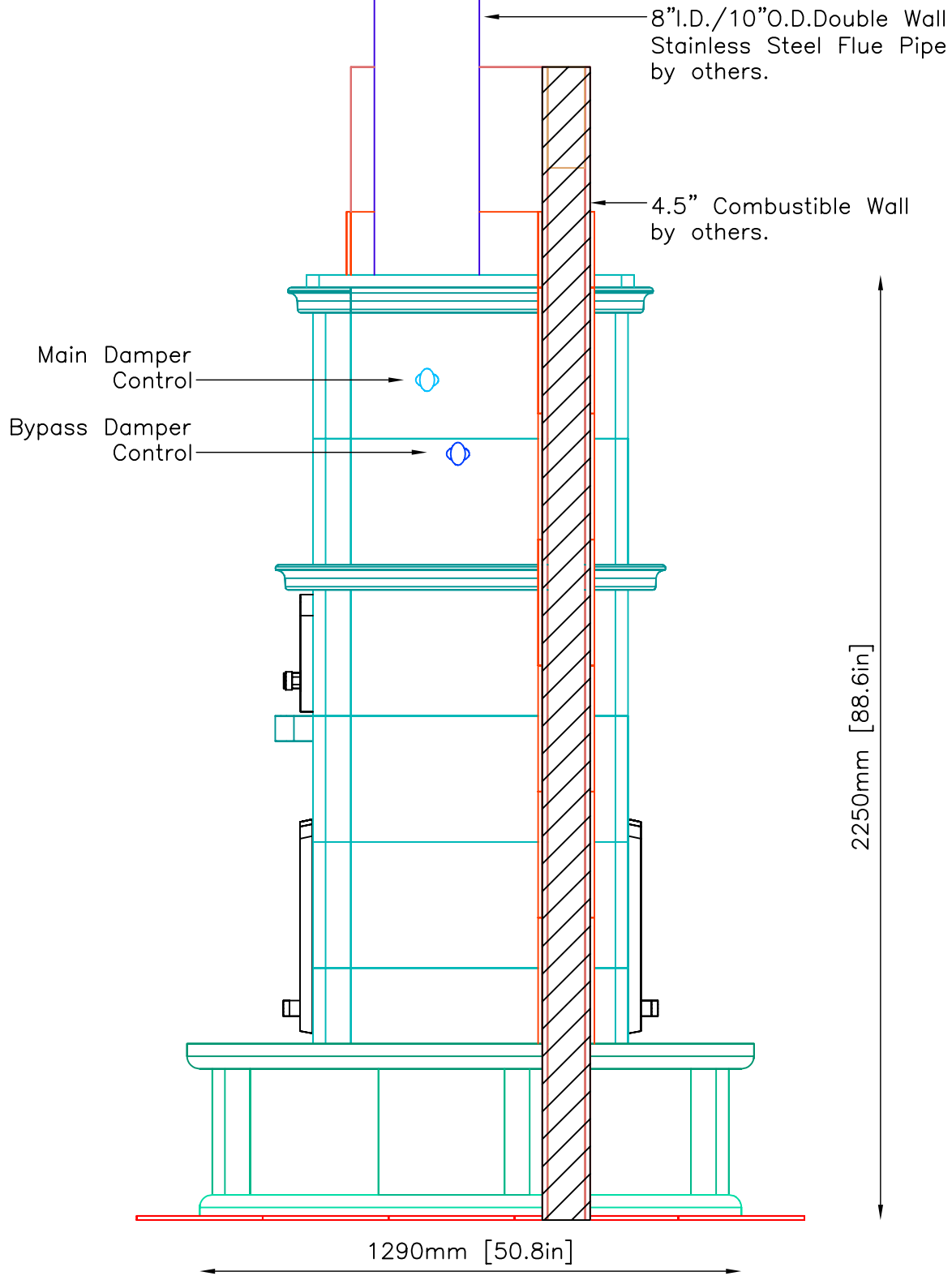
PAGE

3

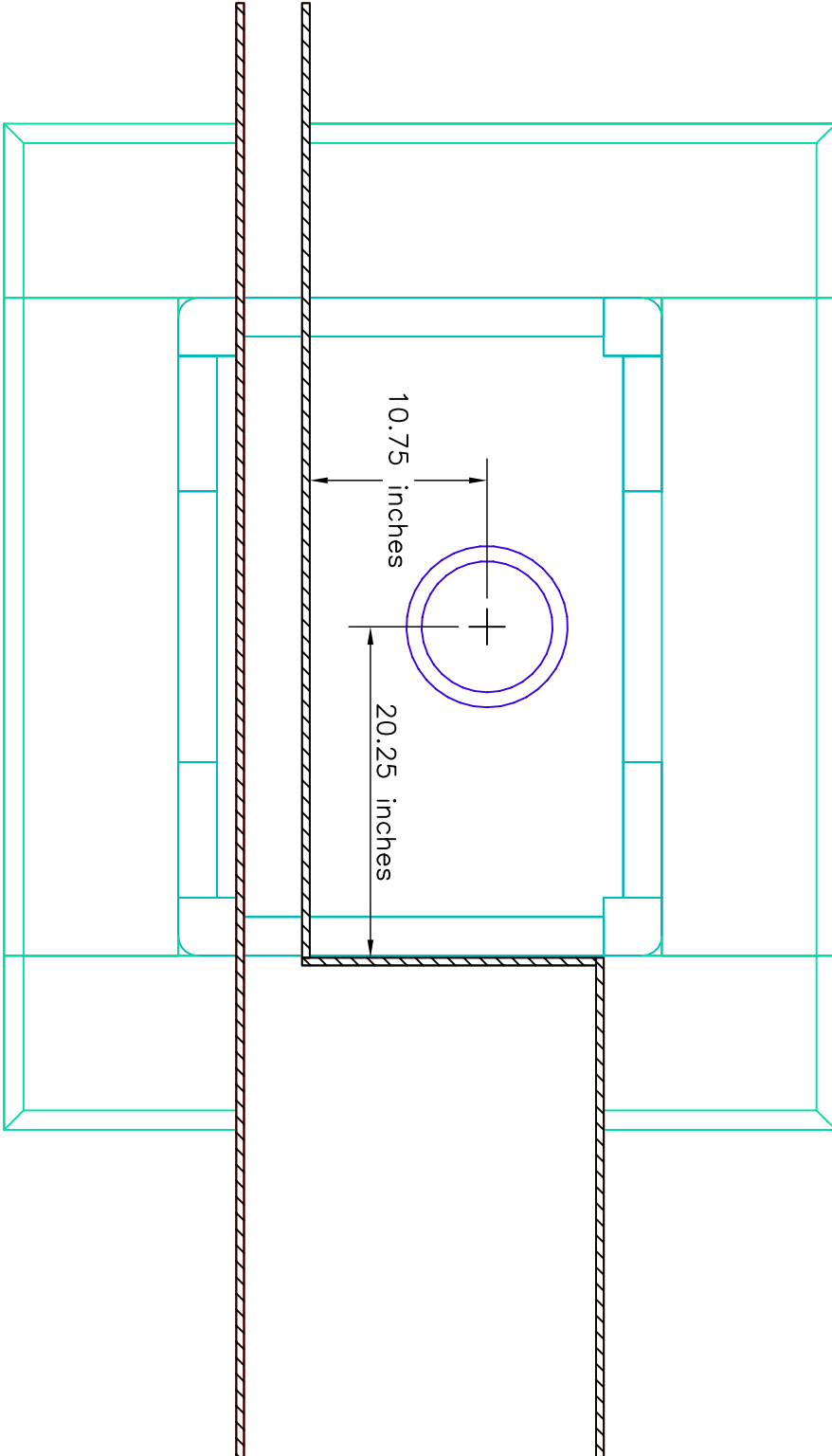
SIDE VIEW

INFORMATION ONLY

Note: No Combustible Material WITHIN 10" of TOP of Fireplace and 14" from SIDES of Fireplace.



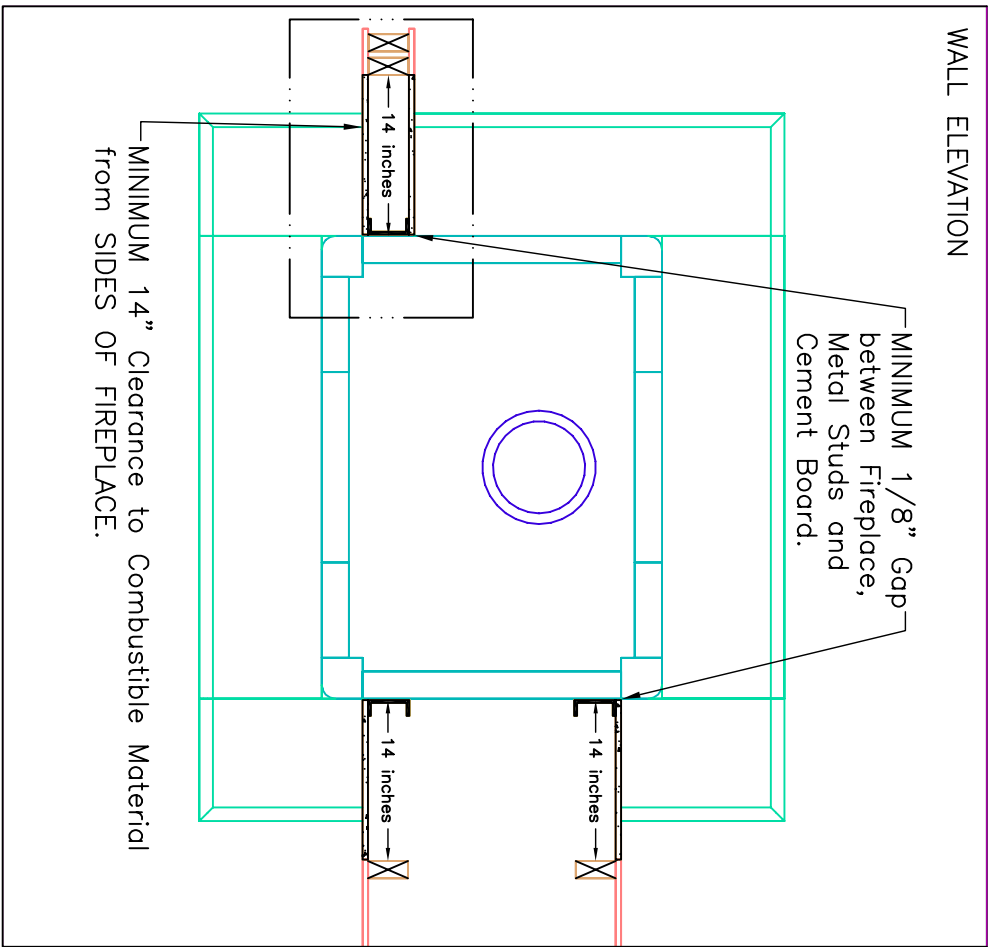
INFORMATION ONLY



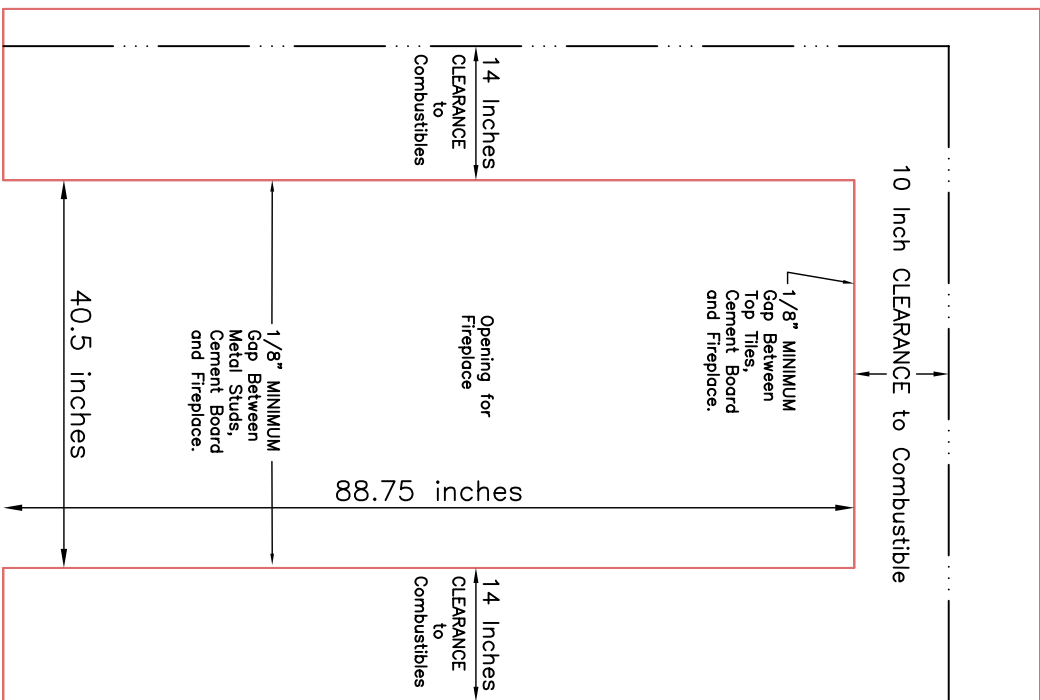
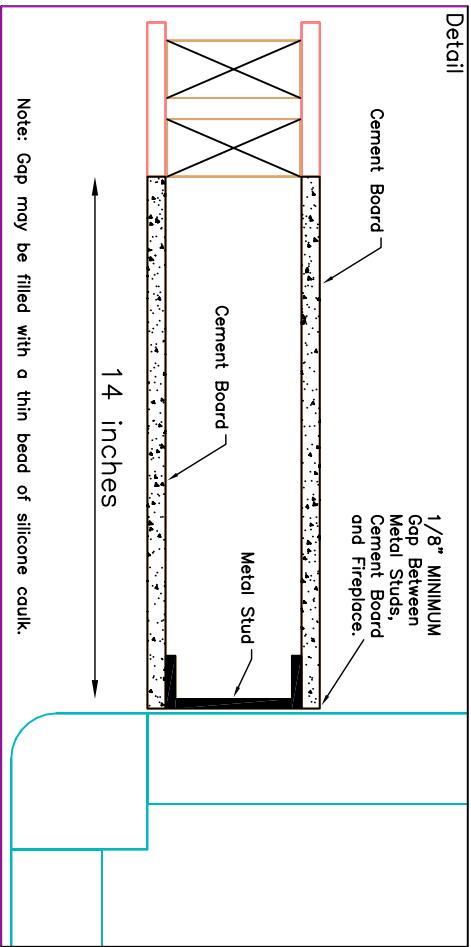
FLUE LOCATION:

10³/₄" X 20¹/₄" FROM WALL TO CENTER OF FLUE PIPE.
 FLUE PIPE: 8" I.D./10" O.D. Double Wall Stainless Steel Flue Pipe by others.

WALL ELEVATION



Detail



CLEARANCE TO COMBUSTIBLES:
 MINIMUM 10" Clearance to Combustible Material from TOP OF FIREPLACE.
 MINIMUM 14" Clearance to Combustible Material from SIDES OF FIREPLACE.
 Use Metal Studs and Cement Board.

INFORMATION ONLY