
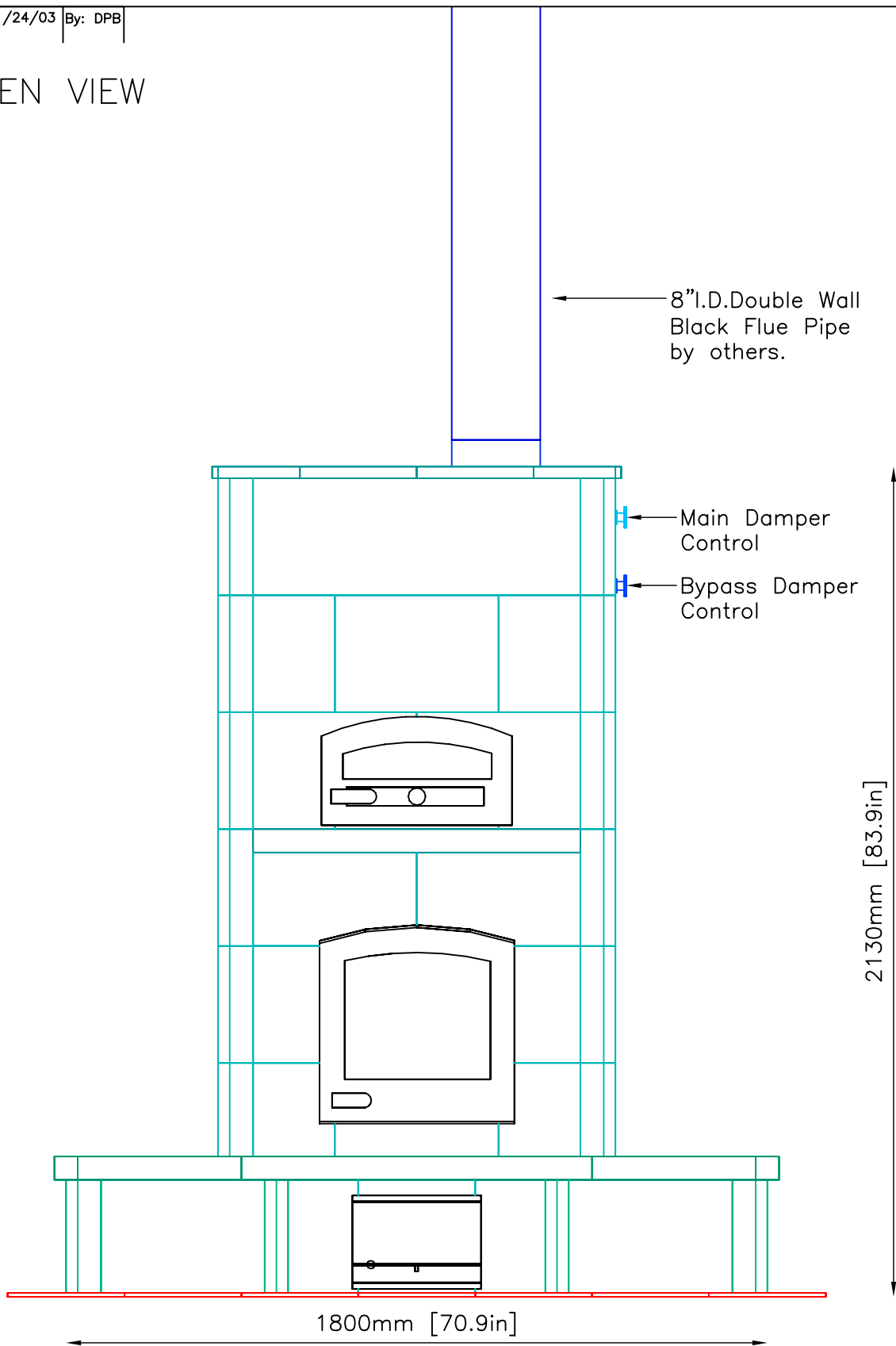


INFORMATION ONLY

NOTE: Hearth Tiles CUT AND INSTALLED by others

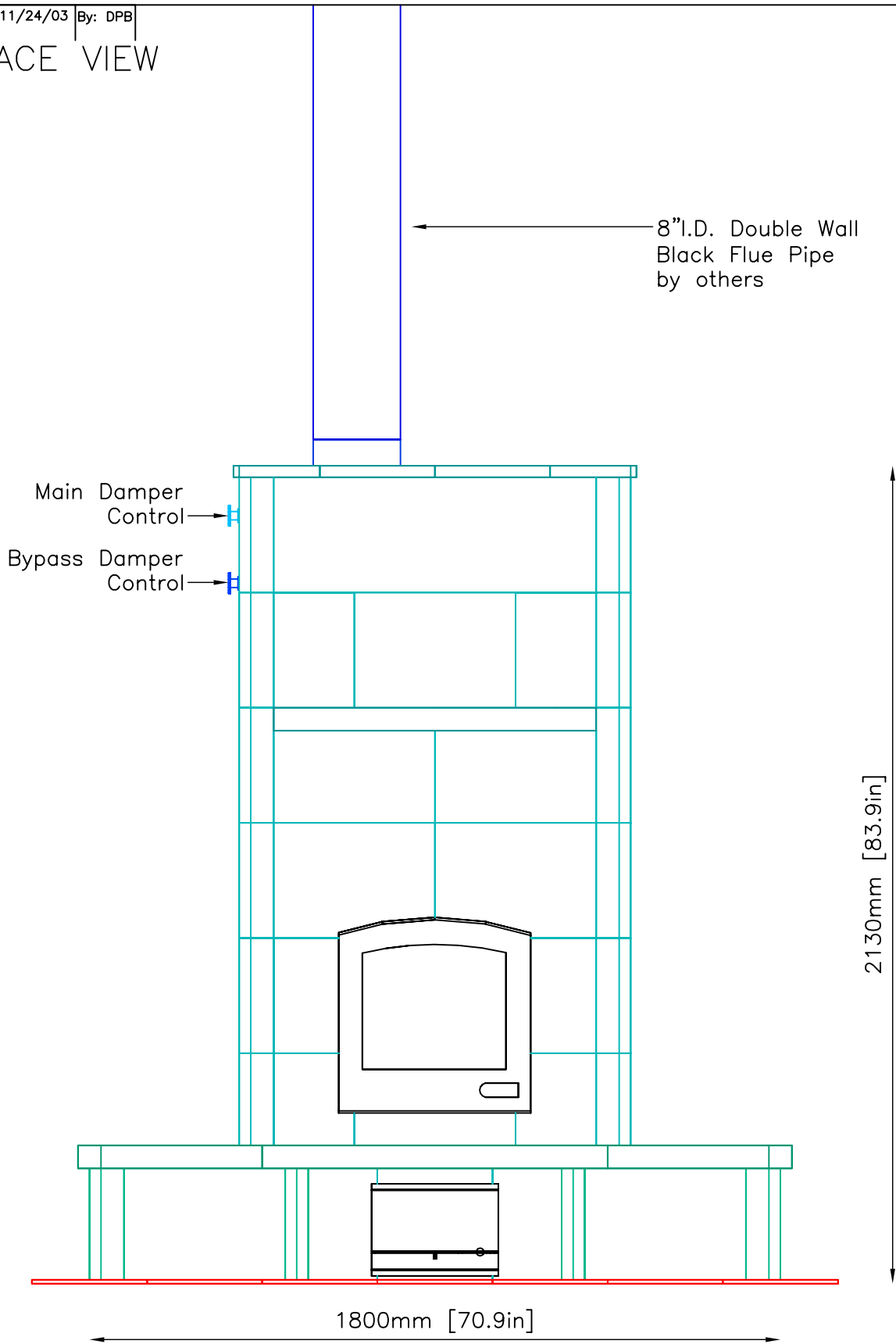
TULIKIVI 	MID-ATLANTIC MASONRY HEAT 1229 Harris Street Suite 1 Charlottesville, VA 22903 (434)979-9709 Fax 434-979-6416	PROJECT	CONTRACT	VIEW	PAGE
		SPEAR		PERSPECTIVE	1
		MODEL	DRAWN BY	DATE	
		TTU2700/5	D.P.BYRAM	10/23/03	

BAKEOVEN VIEW



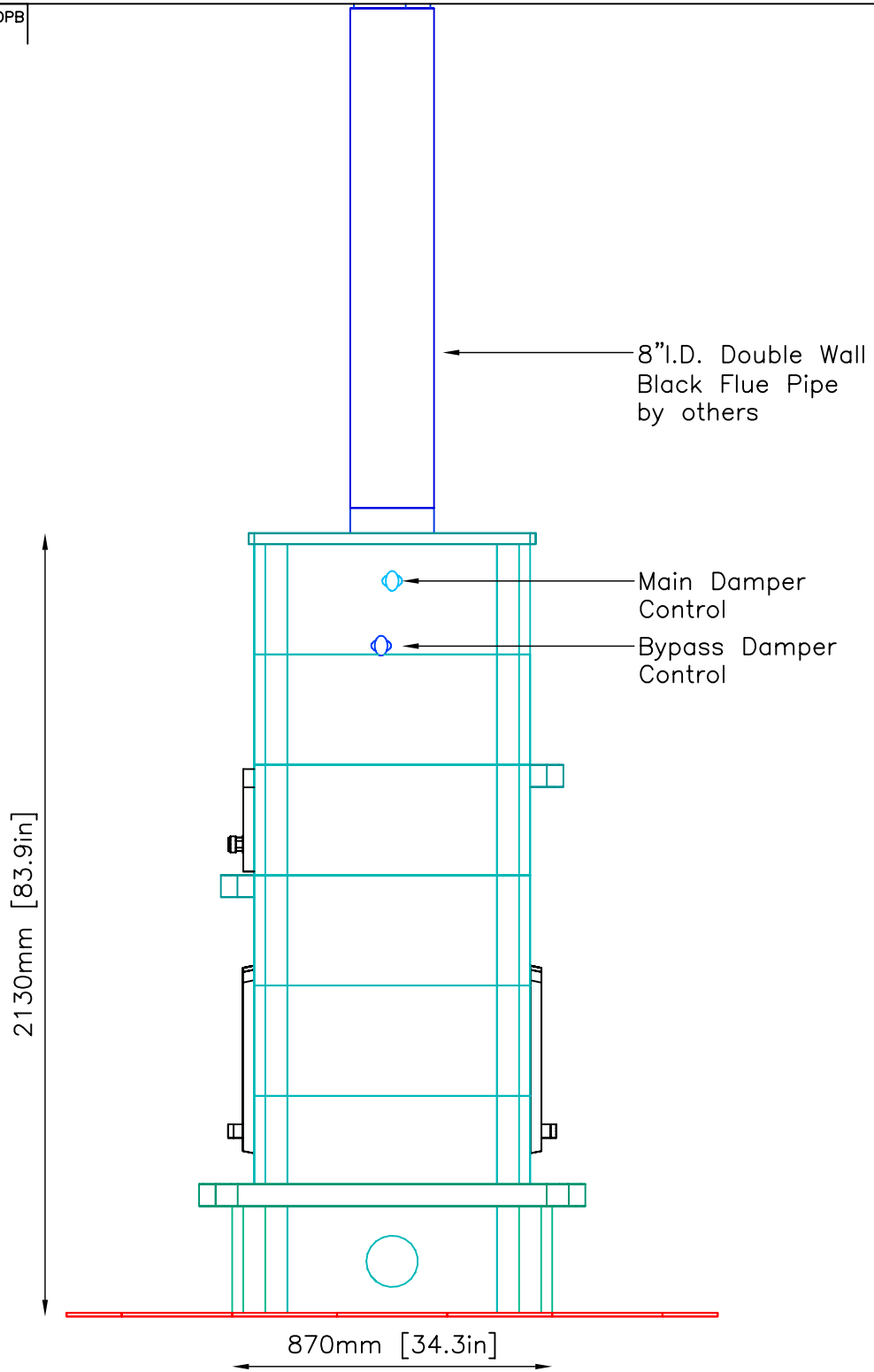
INFORMATION ONLY

FIREPLACE VIEW



INFORMATION ONLY

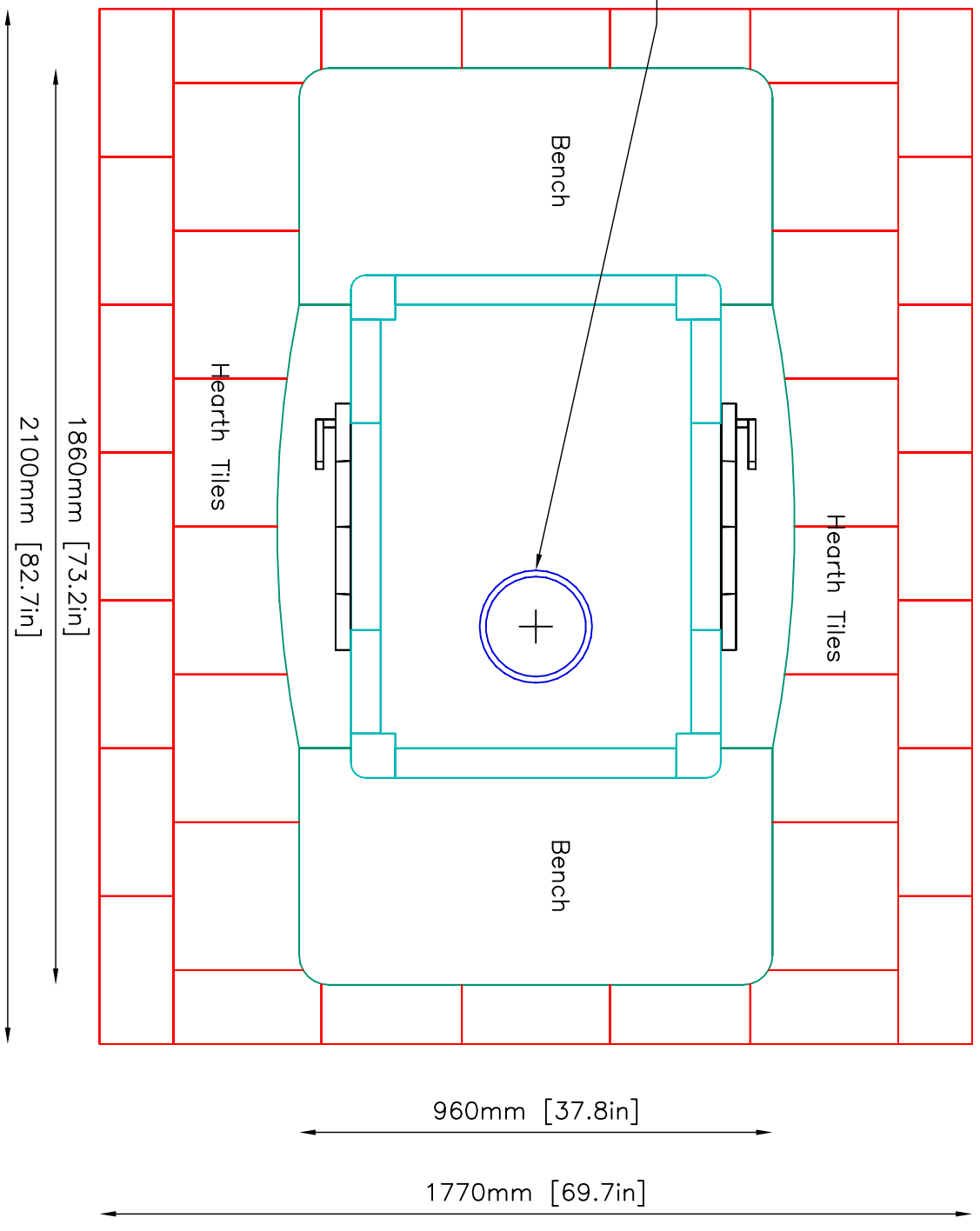
SIDE VIEW



INFORMATION ONLY

INFORMATION ONLY

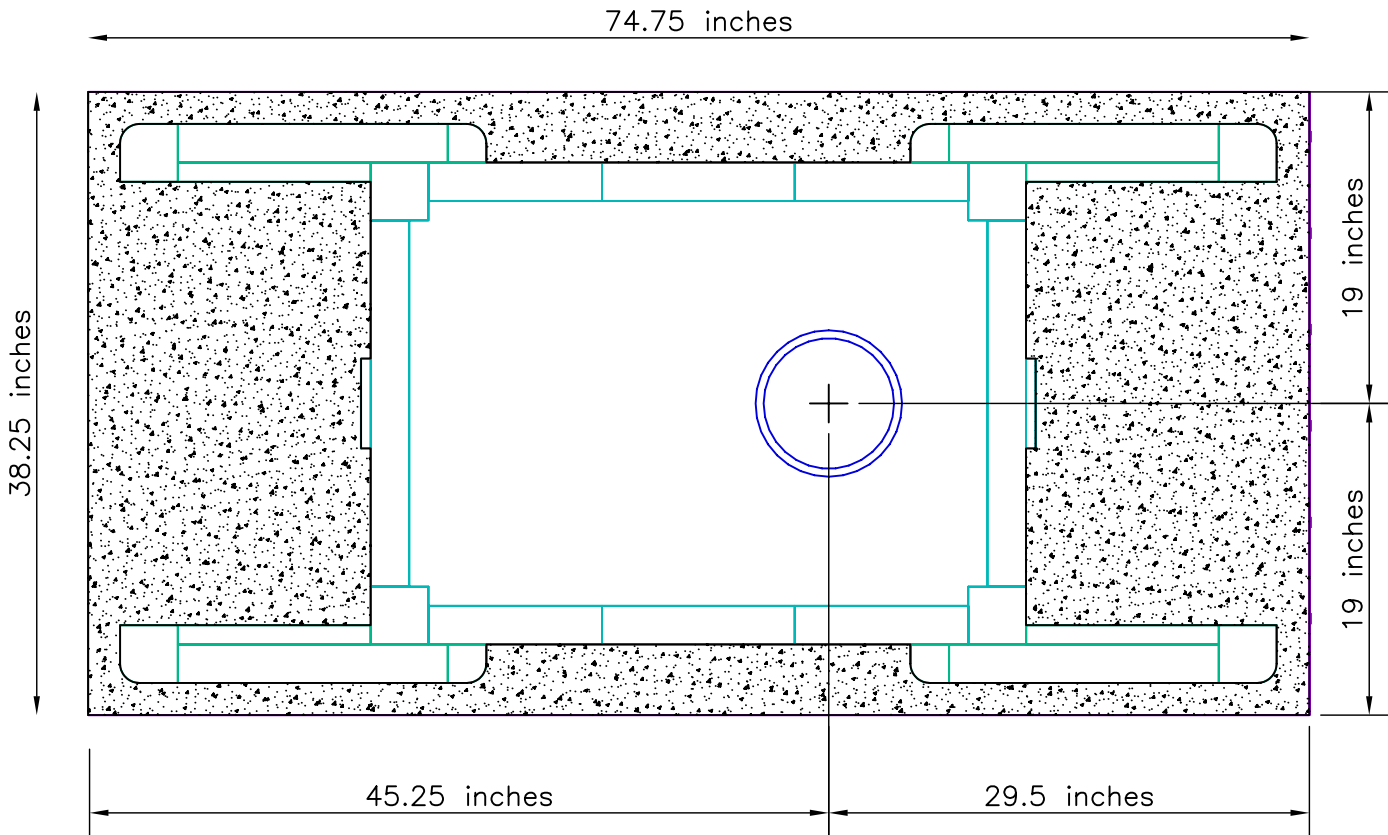
8" I.D. Double Wall
Black Flue Pipe
by others
See page 6 for
Flue Location



NOTE: Hearth Tiles CUT AND INSTALLED by others

FOUNDATION SLAB

Minimum 4" Thick Poured Concrete With Rebar 6"O.C.
 Minimum Dimensions--2" from Base of Unit



FLUE LOCATION:

From Lower Corner of Foundation Slab:
 19"x 29 1/2" to CENTER of Flue Pipe.

FLUE SYSTEM: 8" I.D. Double Wall Black Flue Pipe by others.

INFORMATION ONLY

NOTE:
 TOP OF FOUNDATION SLAB TO BE LEVEL AND FLUSH WITH SUB-FLOOR

- Tolerances: +/- 1/8" No additional cost to level slab
- +/- 1/4" \$150.00-\$200.00 additional cost to level slab
- +/- 1/2" \$500.00 additional cost to level slab

UNIT WEIGHT: 7800lbs.

Owner/Contractor is responsible for engineering Foundation Slab to support weight of fireplace.



MID-ATLANTIC MASONRY HEAT
 1229 Harris Street Suite 1
 Charlottesville, VA 22903
 (434)979-9709 Fax 434-979-6416

PROJECT: SPEAR
 MODEL: TTU2700/5

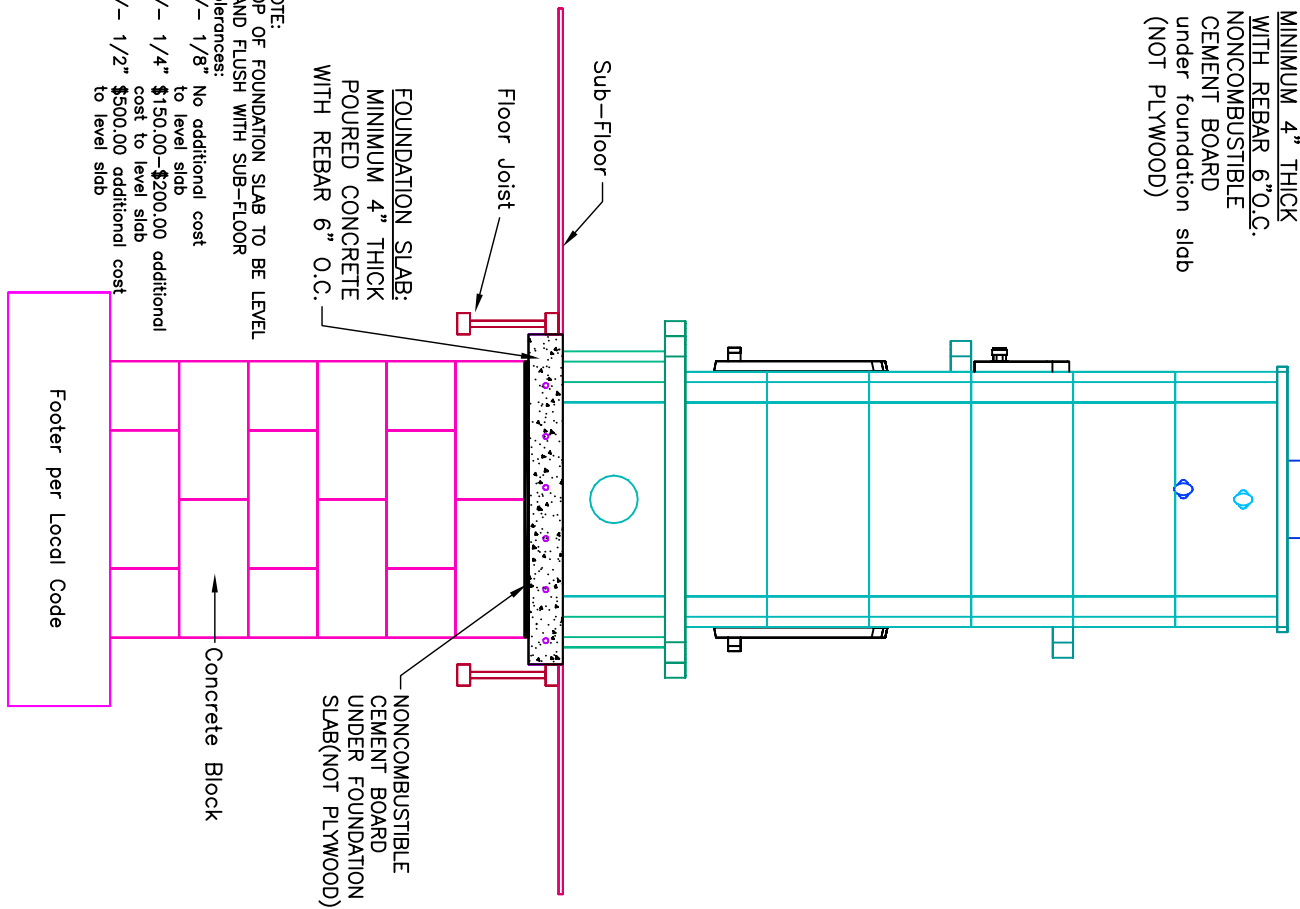
CONTRACT
 DRAWN BY: D.P. BYRAM

VIEW: SUPPORT
 DATE: 10/23/03

PAGE

6

FOUNDATION SLAB:
 * MINIMUM 4" THICK WITH REBAR 6" O.C.
 * NONCOMBUSTIBLE CEMENT BOARD under foundation slab (NOT PLYWOOD)



NOTE:
 TOP OF FOUNDATION SLAB TO BE LEVEL AND FLUSH WITH SUB-FLOOR
 Tolerances:
 +/- 1/8" No additional cost to level slab
 +/- 1/4" \$150.00-\$200.00 additional cost to level slab
 +/- 1/2" \$500.00 additional cost to level slab

UNIT WEIGHT: 7800lbs.
 Owner/Contractor is responsible for engineering Foundation Slab to support weight of fireplace.

INFORMATION ONLY

