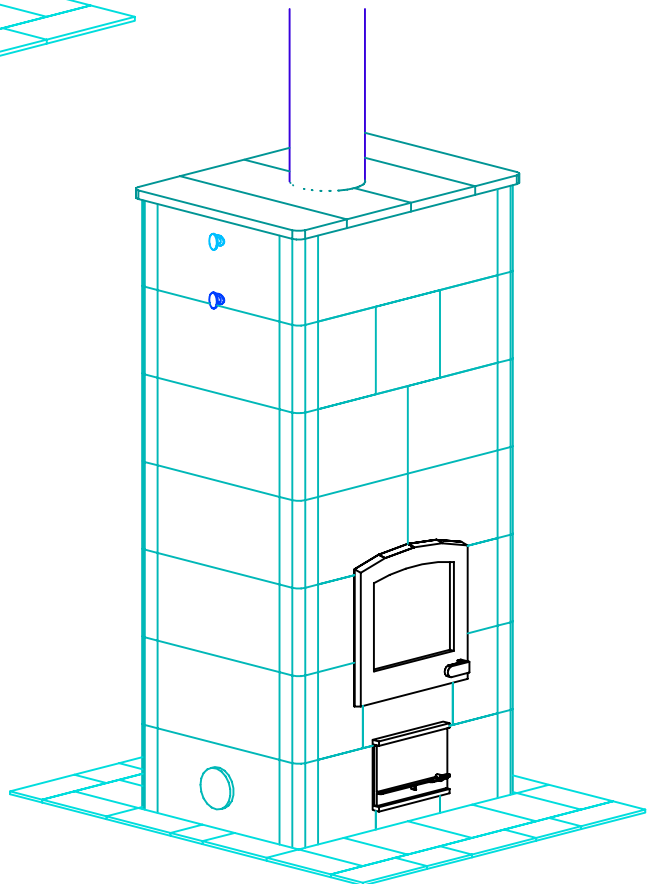
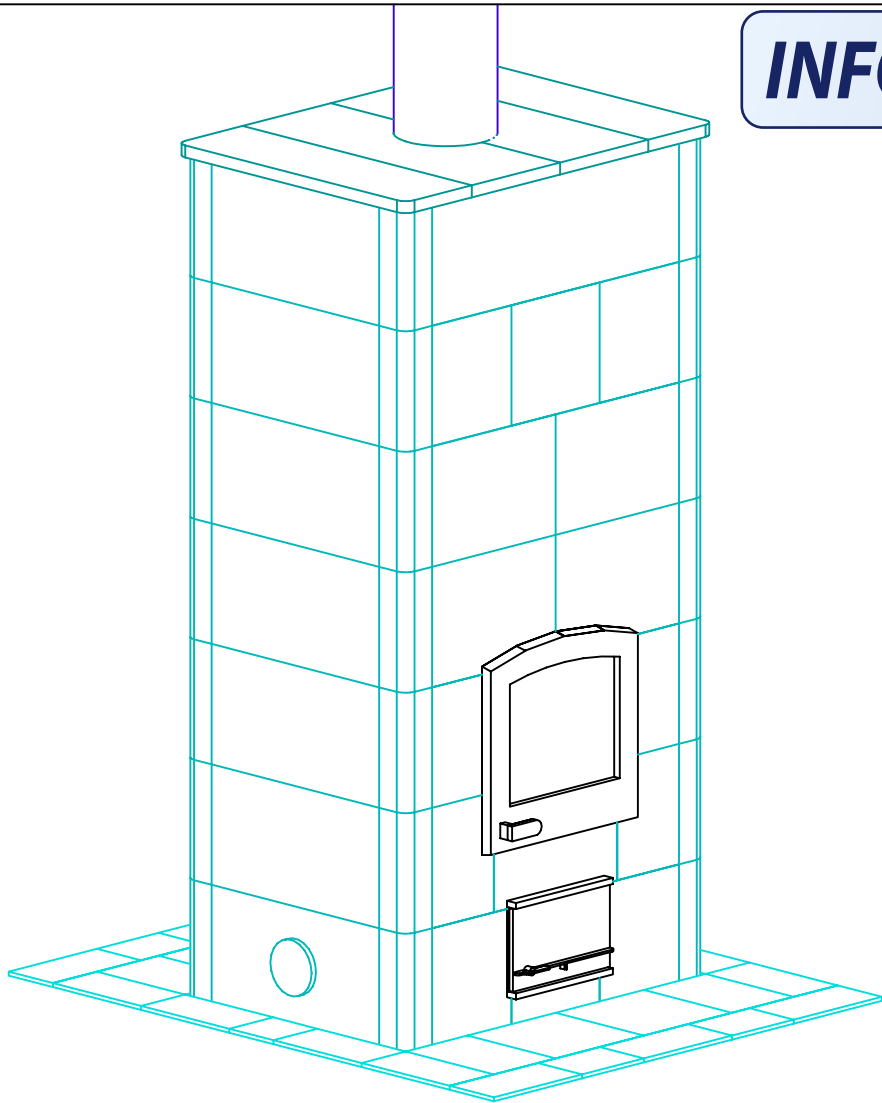


INFORMATION ONLY



NOTE: Hearth Tiles CUT AND INSTALLED by others



MID-ATLANTIC MASONRY HEAT
 1229 Harris Street Suite 1
 Charlottesville, VA 22903
 (434)979-9709 Fax 434-979-6416

PROJECT WOLFE
 MODEL TTU2700

CONTRACT 5709
 DRAWN BY D.P.BYRAM

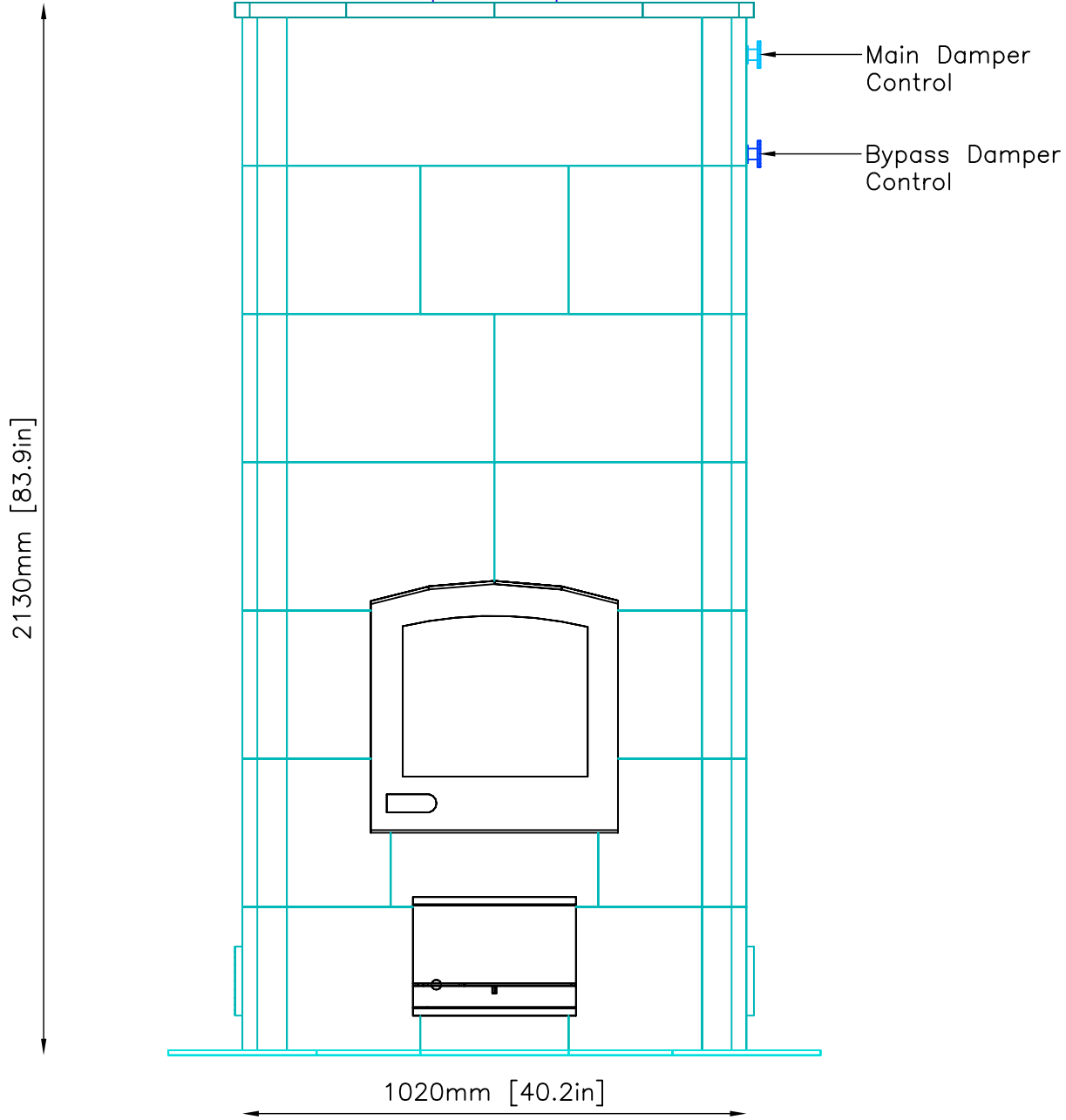
VIEW PERSPECTIVE
 DATE 3/7/05

PAGE 1

FRONT VIEW

INFORMATION ONLY

← 8" I.D./10" O.D. Double Wall
Stainless Steel Flue Pipe
by others



NOTE: Hearth Tiles CUT AND INSTALLED by others



MID-ATLANTIC MASONRY HEAT
1229 Harris Street Suite 1
Charlottesville, VA 22903
(434)979-9709 Fax 434-979-6416

PROJECT WOLFE
MODEL TTU2700

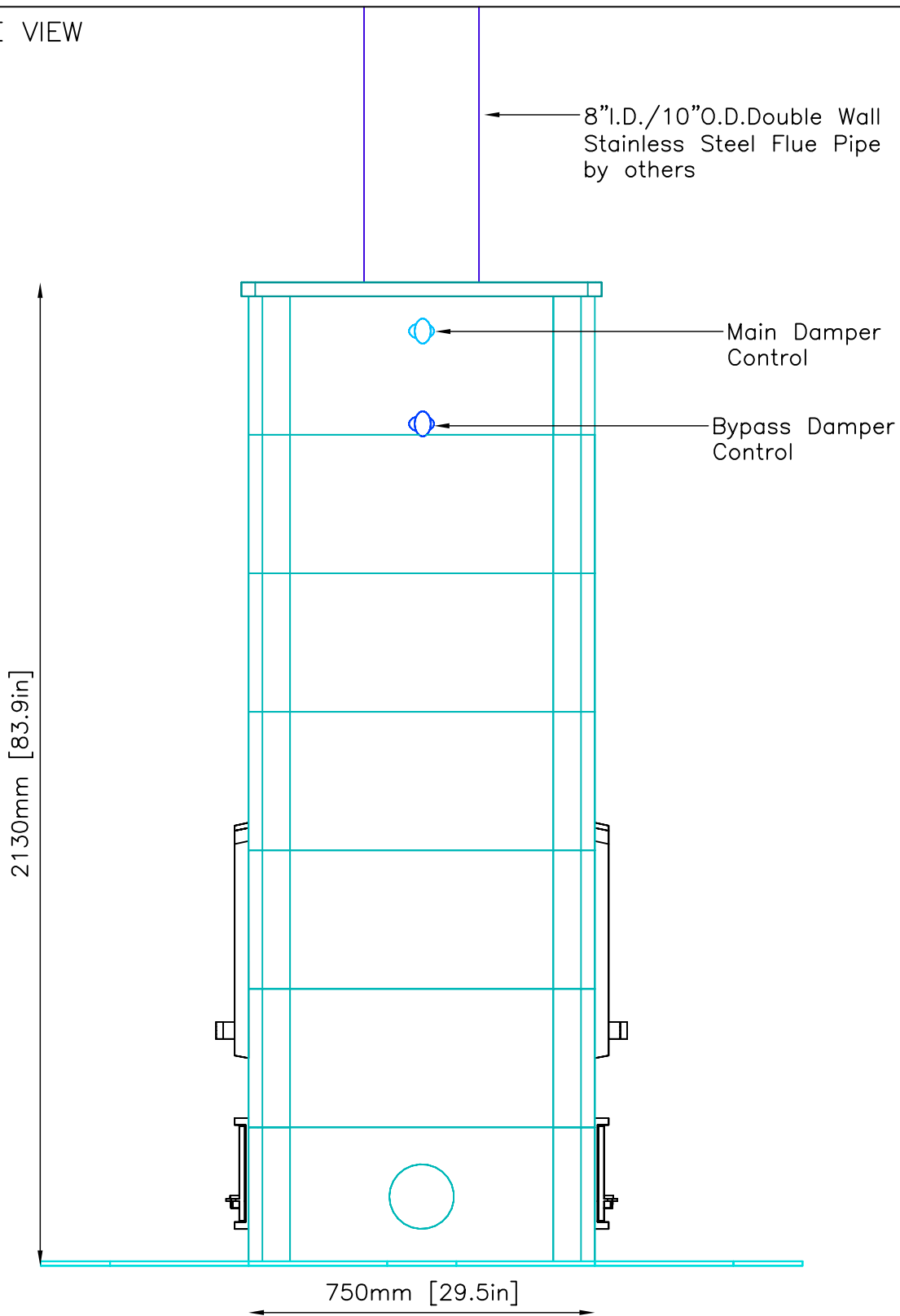
CONTRACT 5709
DRAWN BY D.P.BYRAM

VIEW FRONT
DATE 3/7/05

PAGE

2

SIDE VIEW



INFORMATION ONLY

NOTE: Hearth Tiles CUT AND INSTALLED by others



MID-ATLANTIC MASONRY HEAT
1229 Harris Street Suite 1
Charlottesville, VA 22903
(434)979-9709 Fax 434-979-6416

PROJECT WOLFE
MODEL TTU2700

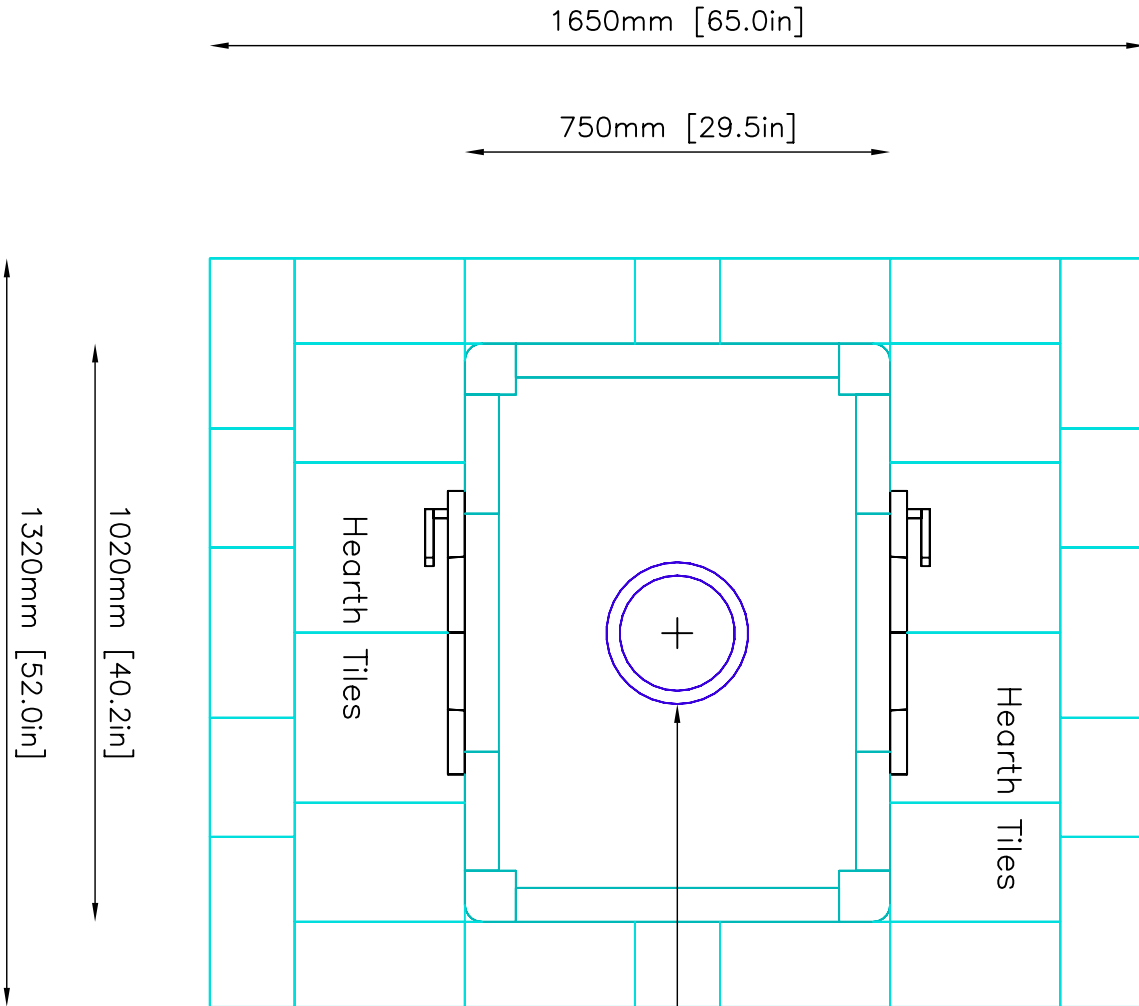
CONTRACT 5709
DRAWN BY D.P.BYRAM

VIEW SIDE
DATE 3/7/05

PAGE 3

INFORMATION ONLY

PLAN VIEW



8" I.D./10" O.D. Double Wall
Stainless Steel Flue Pipe
by others
SEE PAGE 5 FOR
FLUE LOCATION

NOTE: Hearth Tiles CUT AND INSTALLED by others



MID-ATLANTIC MASONRY HEAT
1229 Harris Street Suite 1
Charlottesville, VA 22903
(434)979-9709 Fax 434-979-6416

PROJECT WOLFE

CONTRACT 5709

VIEW PLAN

PAGE

MODEL TTU2700

DRAWN BY D.P.BYRAM

DATE 3/7/05

4