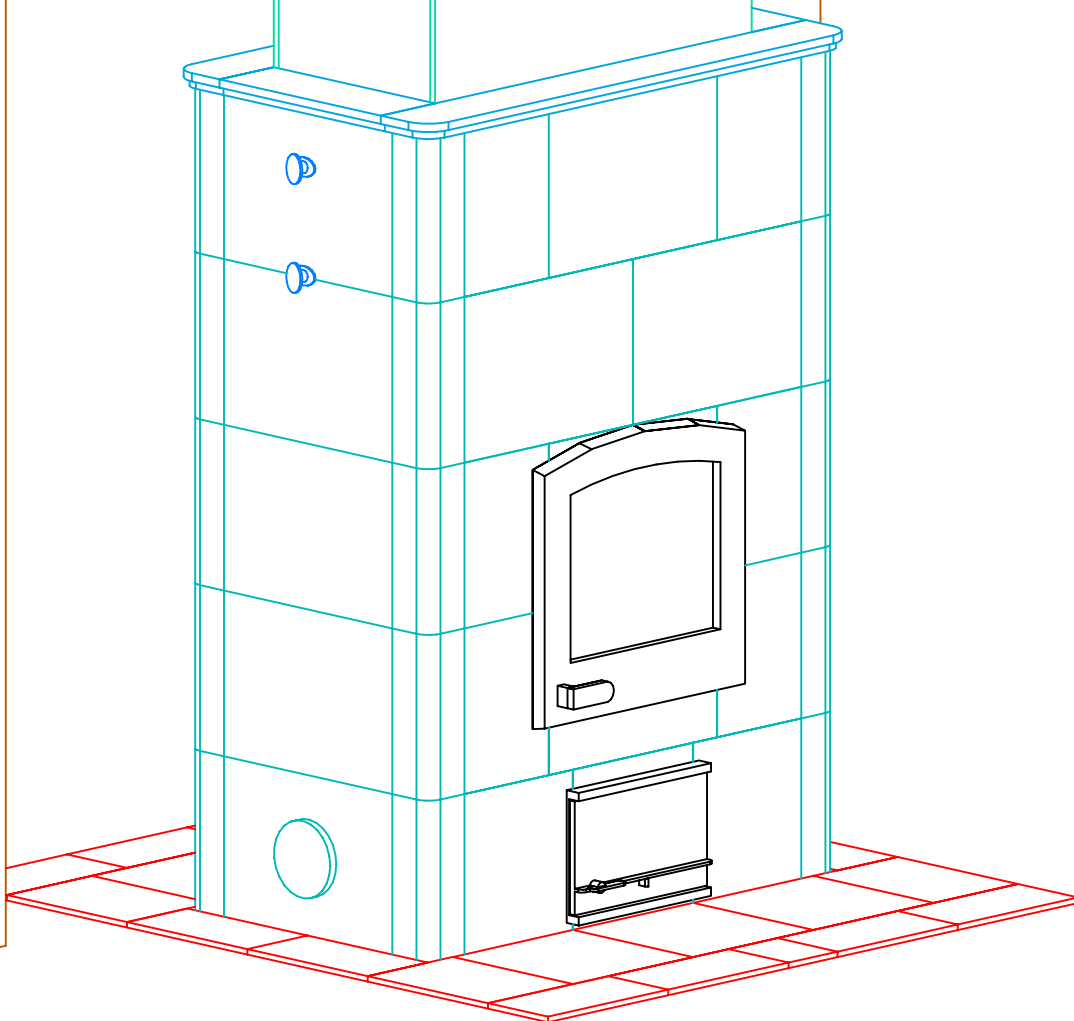


# INFORMATION ONLY



NOTE: Hearth Tiles CUT AND INSTALLED by others



MID-ATLANTIC MASONRY HEAT  
 1229 Harris Street Suite 1  
 Charlottesville, VA 22903  
 (434)979-9709 Fax 434-979-6416

PROJECT PEEK  
 MODEL TTU2200-T

CONTRACT  
 DRAWN BY D.P.BYRAM

VIEW PERSPECTIVE  
 DATE 4/14/03

PAGE 1

FRONT VIEW

# INFORMATION ONLY

Loft

Chimney Chase  
by others. →

MINIMUM 10"  
Clearance to  
Combustible  
Material  
from TOP  
OF FIREPLACE. →

Use Metal  
Studs and  
Cement Board. ←

Main  
Damper  
Control →  
Bypass  
Damper  
Control →

8x8  
Wood  
Post  
by  
others.

8x8  
Wood  
Post  
by  
others.

MINIMUM 14" ← →

1530mm [60.2in]

1020mm [40.2in]



MID-ATLANTIC MASONRY HEAT  
1229 Harris Street Suite 1  
Charlottesville, VA 22903  
(434)979-9709 Fax 434-979-6416

PROJECT PEEK  
MODEL TTU2200-T

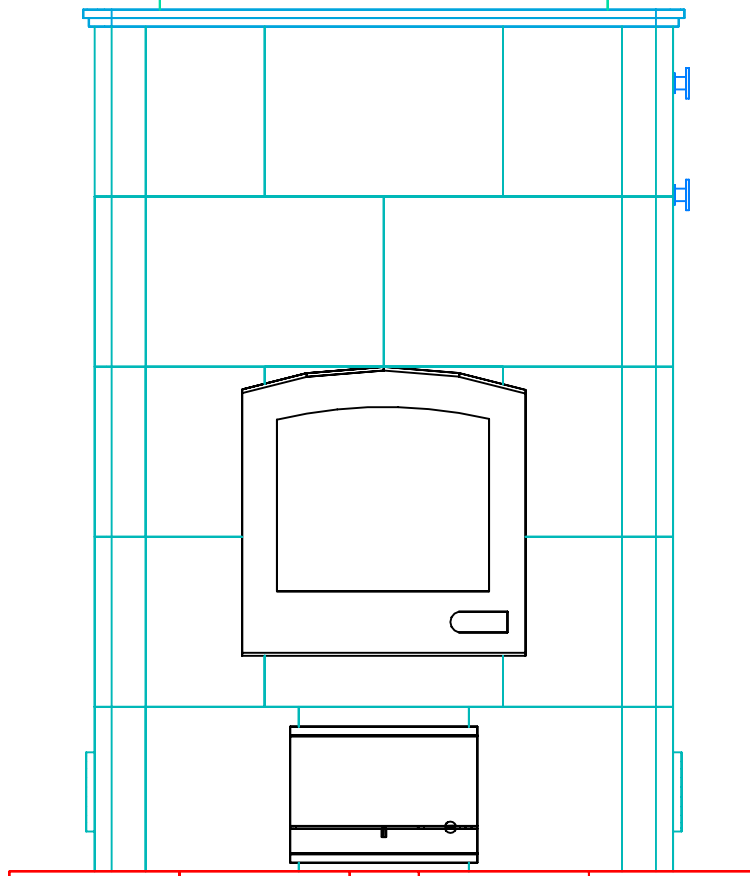
CONTRACT  
DRAWN BY D.P.BYRAM

VIEW FRONT  
DATE 4/14/03

PAGE 2

Kitchen View

**INFORMATION ONLY**



SIDE VIEW

# INFORMATION ONLY

Loft

Chimney Chase  
by others

MINIMUM 10" Clearance  
to Combustible Material  
From TOP OF FIREPLACE

Use metal studs  
and cement board.

Kitchen

8x8  
Wood  
Post  
by  
others.

1530mm [60.2in]

600mm [23.6in]



MID-ATLANTIC MASONRY HEAT  
1229 Harris Street Suite 1  
Charlottesville, VA 22903  
(434)979-9709 Fax 434-979-6416

PROJECT PEEK  
MODEL TTU2200-T

CONTRACT  
DRAWN BY D.P.BYRAM

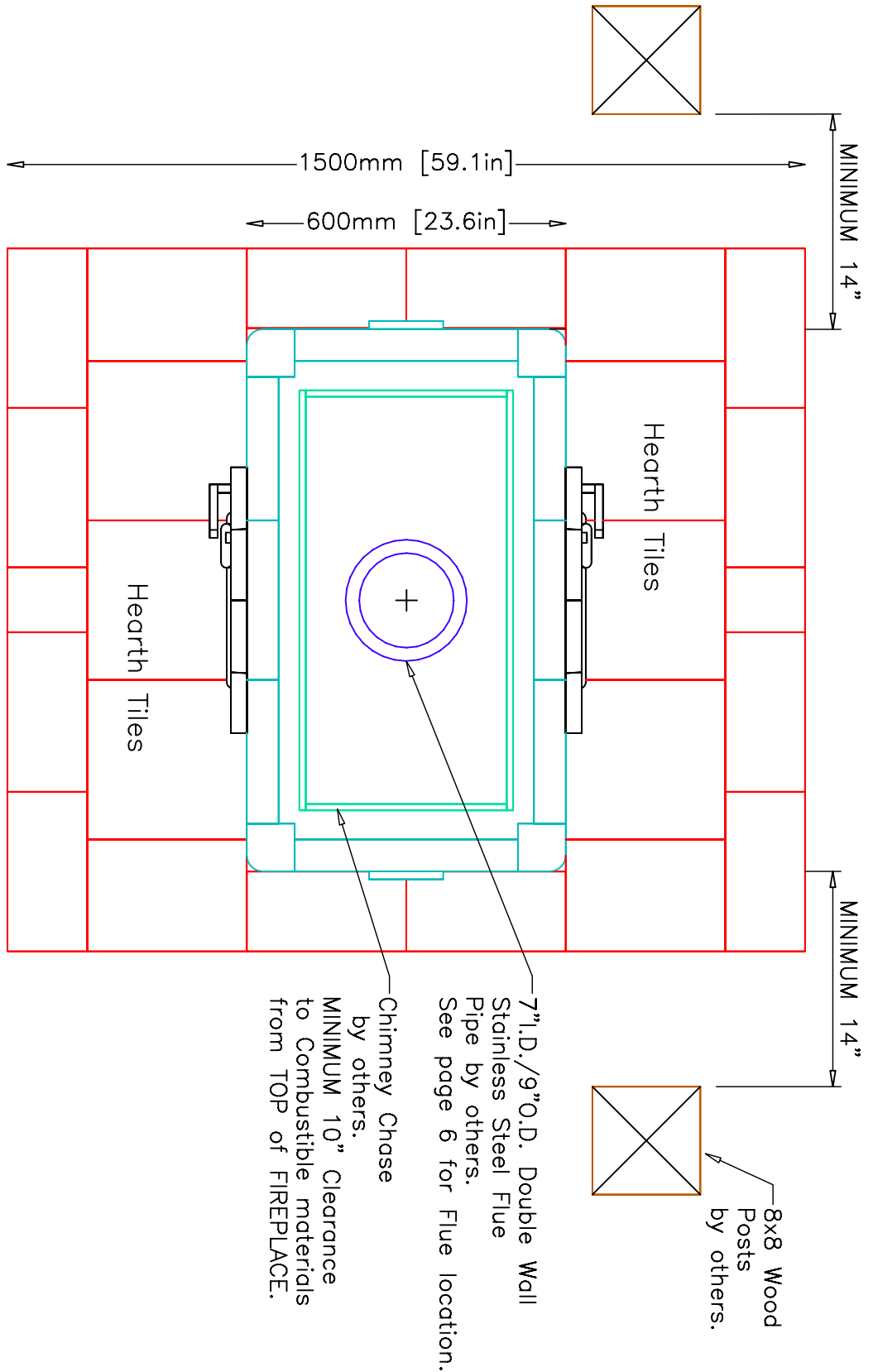
VIEW SIDE  
DATE 4/14/03

PAGE

4

# INFORMATION ONLY

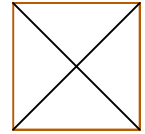
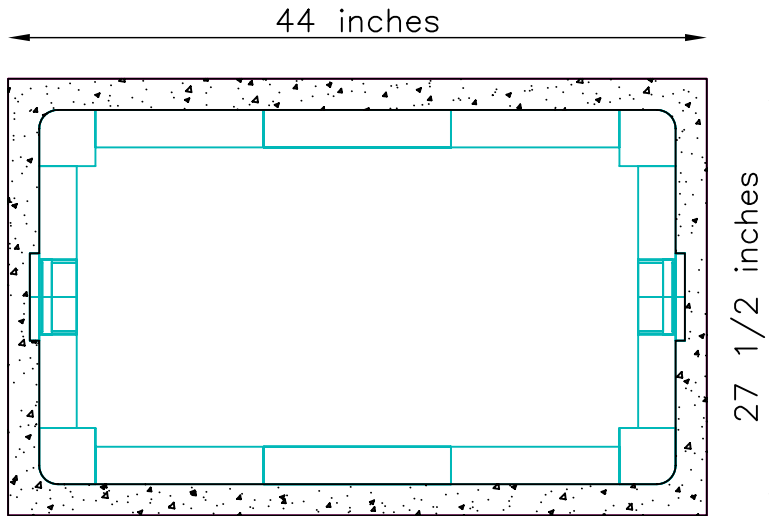
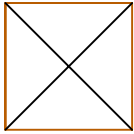
PLAN VIEW



Note:  
 MINIMUM 14" Clearance to Combustibles from SIDES of FIREPLACE.  
 Flue System: 7" I.D./9" O.D. Double Wall Stainless Steel Flue Pipe by others.  
 See page 6 for Flue Location.  
 Hearth Tiles CUT AND INSTALLED by others.

CAPPING SLAB

Minimum Dimensions--2" from Base of Unit



NOTE:

TOP OF CAPPING SLAB TO BE LEVEL  
AND FLUSH WITH SUB-FLOOR

Tolerances:

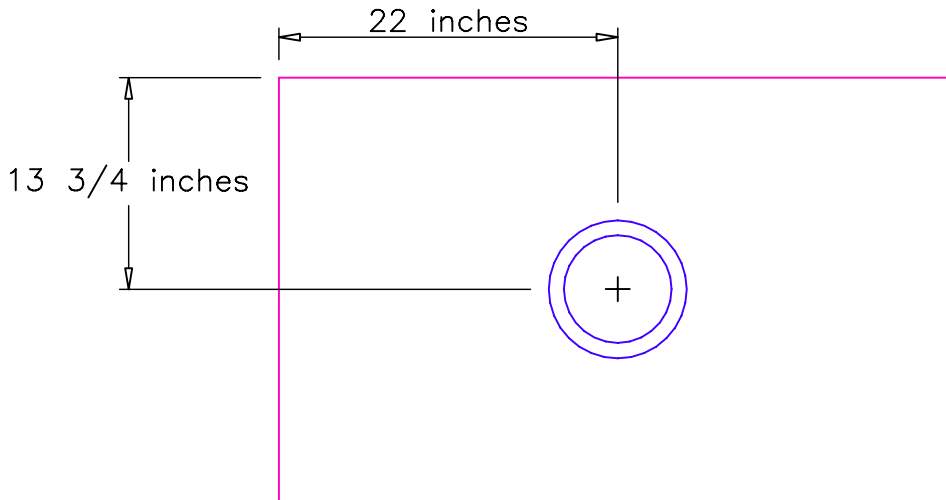
- +/- 1/8" No additional cost to adjust slab
- +/- 1/4" \$150.00-\$200.00 additional cost to adjust slab
- +/- 1/2" \$500.00 additional cost to adjust slab

**INFORMATION ONLY**

UNIT WEIGHT: MINIMUM 4000lbs.

Contractor is responsible for engineering capping slab to support weight of fireplace.

Flue Location: From Upper Left Corner of Capping Slab:  
22" x 13 3/4" to CENTER of Flue Pipe.



Flue Type: 7" I.D./9" O.D. Double Wall Stainless Steel Flue Pipe by others.



MID-ATLANTIC MASONRY HEAT  
1229 Harris Street Suite 1  
Charlottesville, VA 22903  
(434)979-9709 Fax 434-979-6416

PROJECT PEEK  
MODEL TTU2200-T

CONTRACT  
DRAWN BY D.P.BYRAM

VIEW SUPPORT  
DATE 4/14/03

PAGE 6