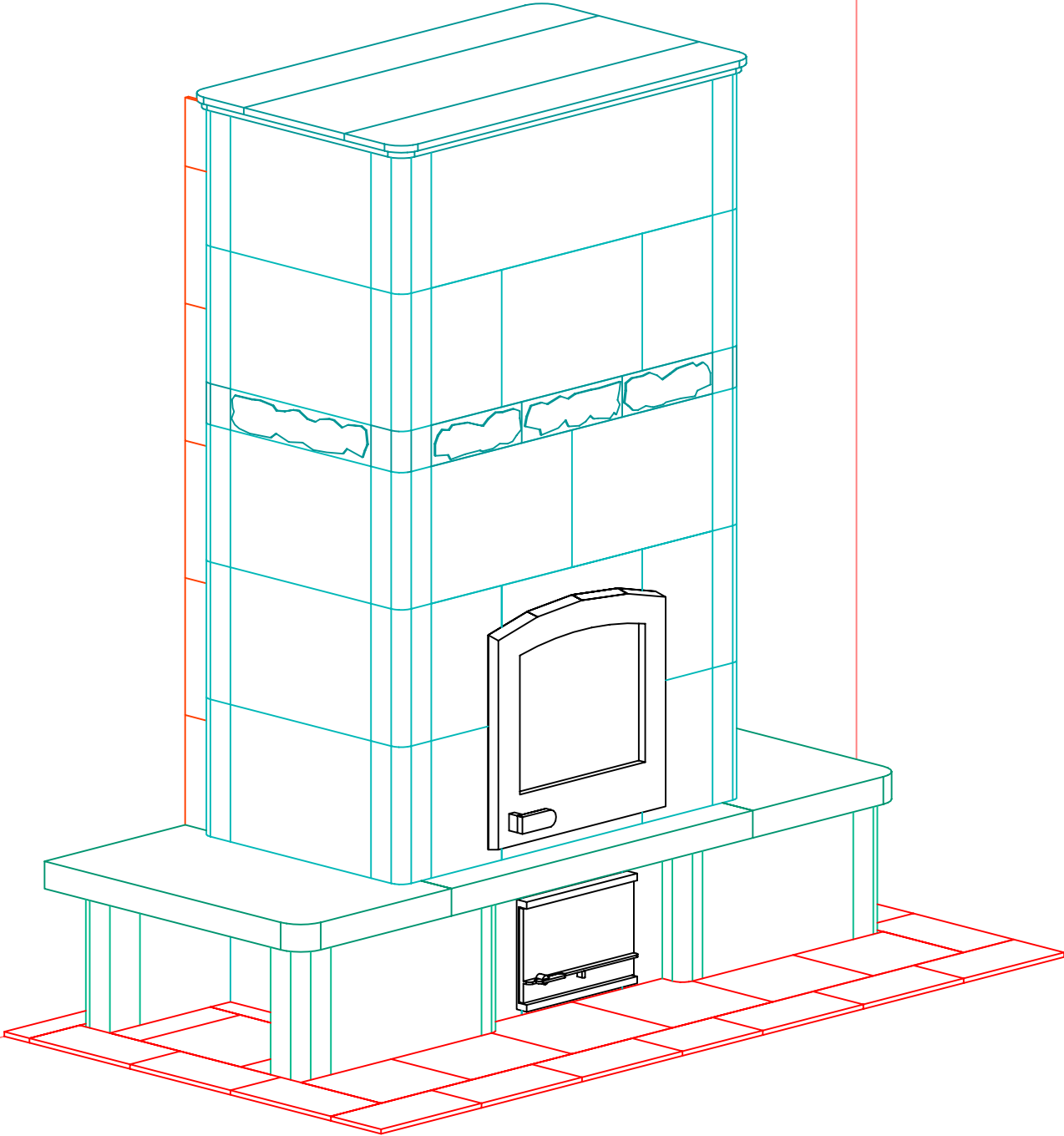


# INFORMATION ONLY



NOTE: Hearth Tiles CUT AND INSTALLED by others



MID-ATLANTIC MASONRY HEAT  
 1229 Harris Street Suite 1  
 Charlottesville, VA 22903  
 (434)979-9709 Fax 434-979-6416

PROJECT JACKSON  
 MODEL TU2200

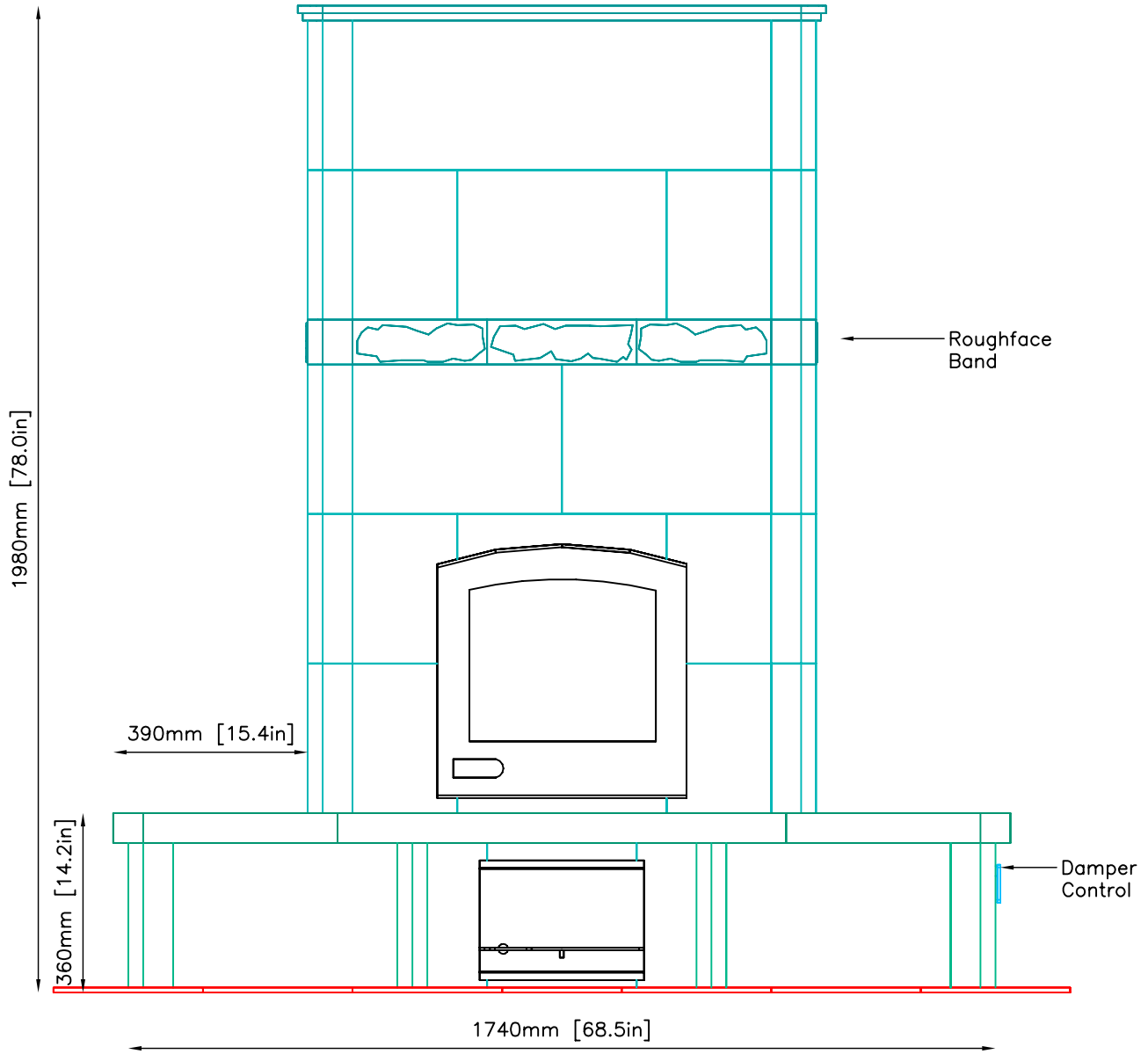
CONTRACT  
 DRAWN BY D.P.BYRAM

VIEW PERSPECTIVE  
 DATE 8/20/03

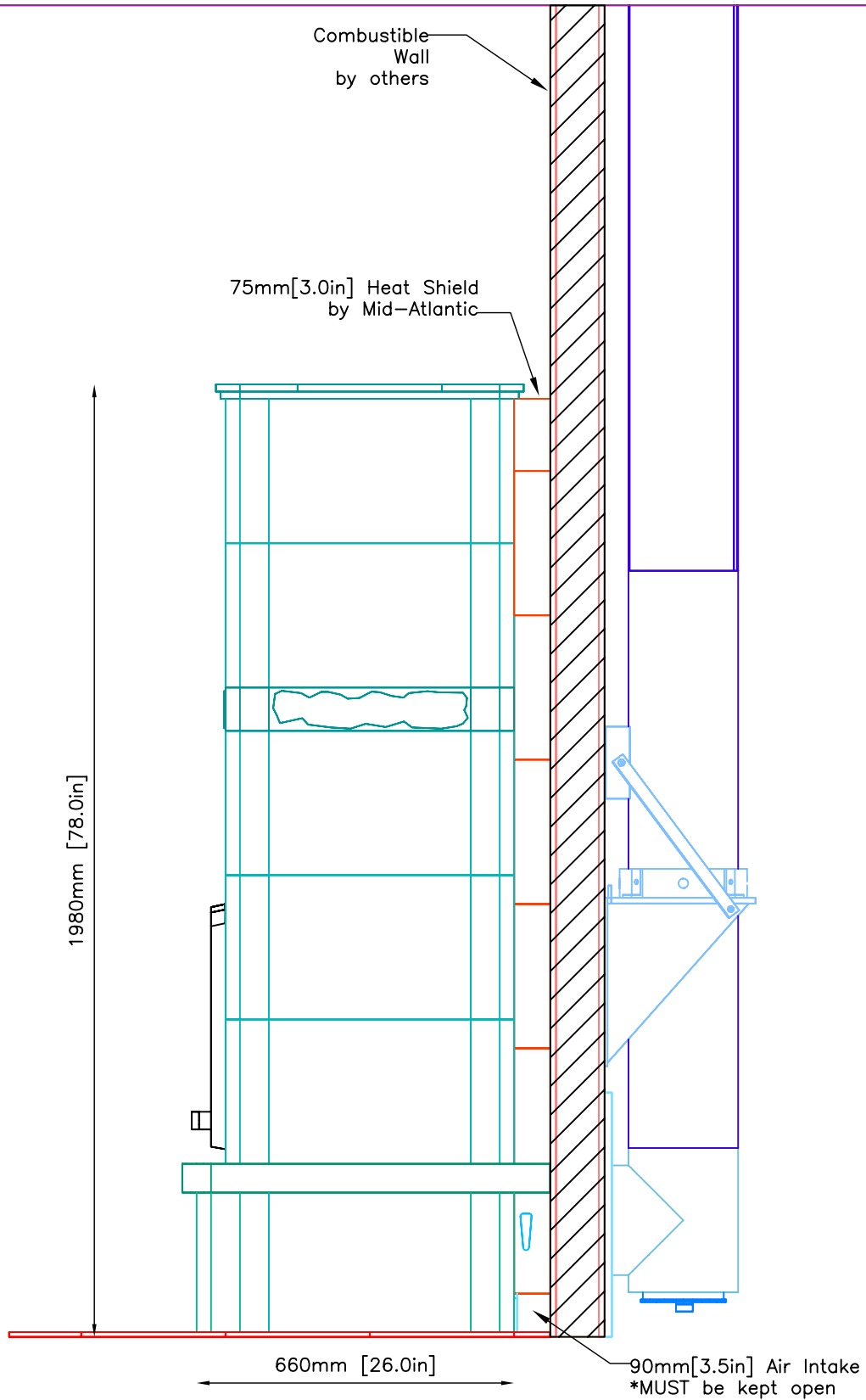
PAGE 1

FRONT VIEW

**INFORMATION ONLY**



SIDE VIEW



**INFORMATION ONLY**



MID-ATLANTIC MASONRY HEAT  
 1229 Harris Street Suite 1  
 Charlottesville, VA 22903  
 (434)979-9709 Fax 434-979-6416

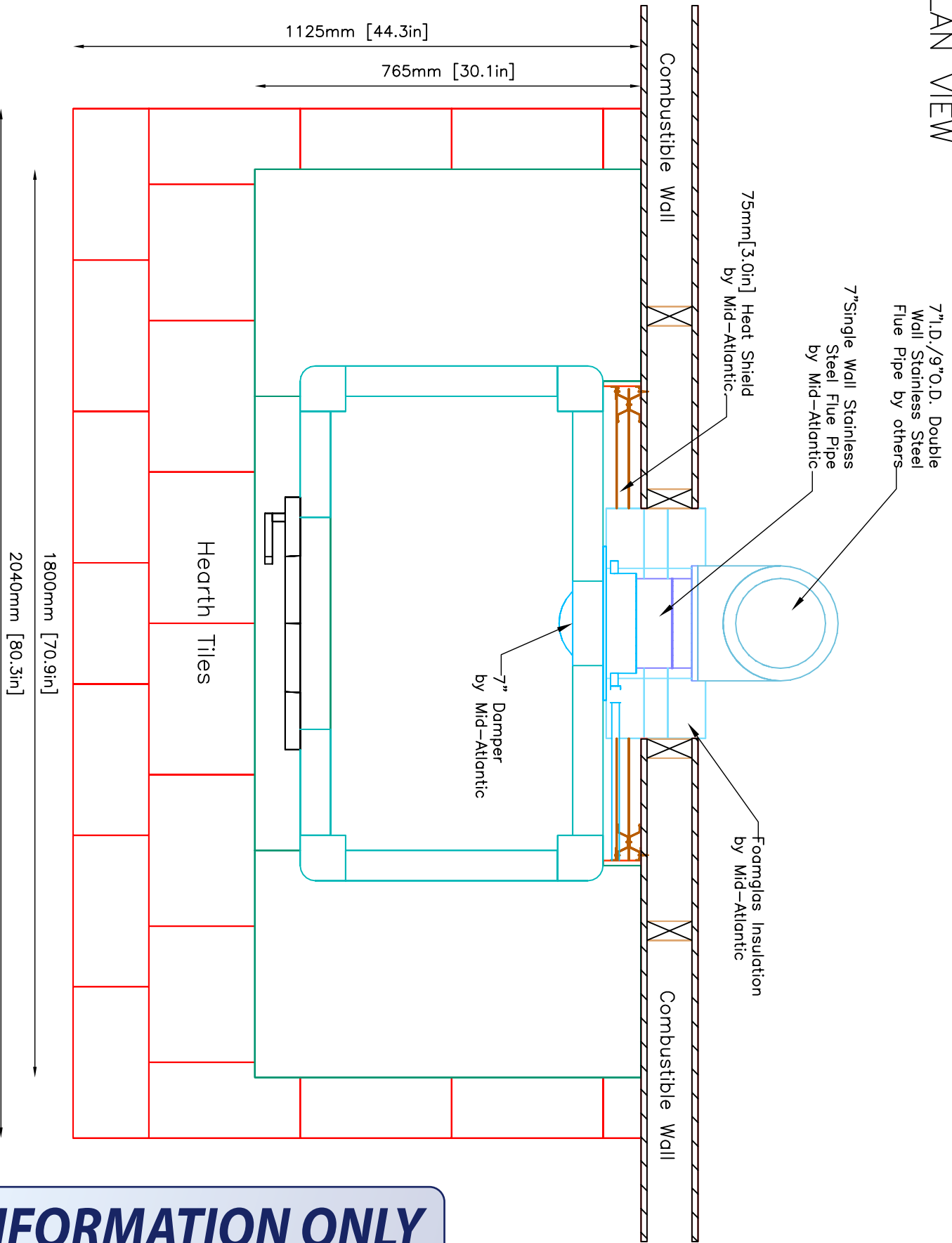
PROJECT JACKSON  
 MODEL TU2200

CONTRACT  
 DRAWN BY D.P.BYRAM

VIEW SIDE  
 DATE 8/20/03

PAGE 3

# PLAN VIEW



NOTE: Hearth Tiles CUT AND INSTALLED by others

## INFORMATION ONLY



MID-ATLANTIC MASONRY HEAT  
 1229 Harris Street Suite 1  
 Charlottesville, VA 22903  
 (434)979-9709 Fax 434-979-6416

PROJECT JACKSON  
 MODEL TU2200

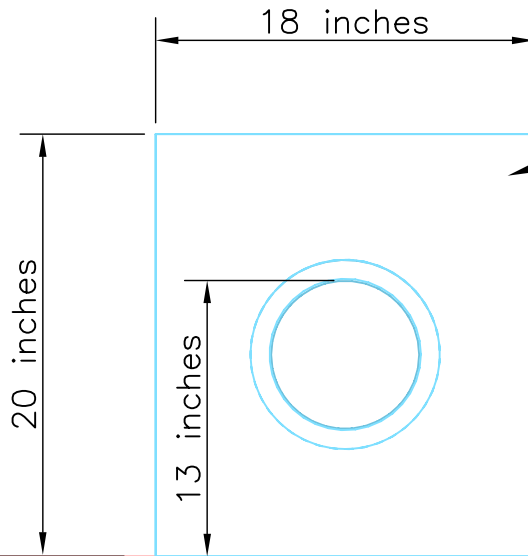
CONTRACT  
 DRAWN BY D.P.BYRAM

VIEW PLAN  
 DATE 8/20/03

PAGE 4

WALL ELEVATION  
**INFORMATION ONLY**

Combustible  
 Wall by others.

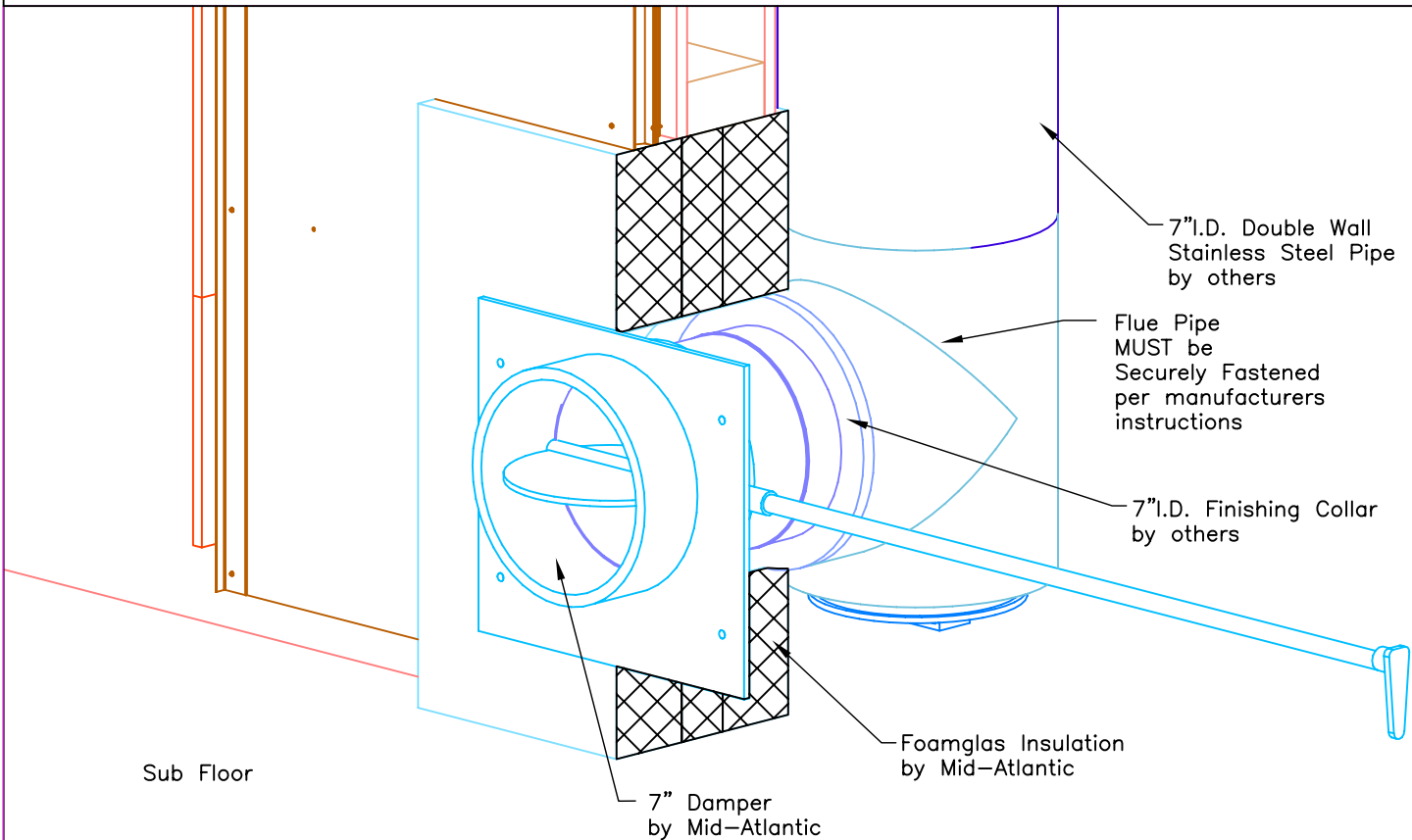


\*CRITICAL DIMENSION: 13"  
 from Foundation Slab (which  
 is LEVEL & FLUSH with  
 sub-floor) to TOP INSIDE  
 flue pipe.

Thickness of Finished Floor—Maximum  $\frac{3}{4}$ ".  
 If Finished Floor exceeds  $\frac{3}{4}$ " Thickness  
 Mid-Atlantic MUST be contacted for revised  
 specifications.

**Notes:**

- Sheetrock around 18"x20" Opening MUST be in Place Prior to Installation.
- UL Listed – Minimum Foamglas Insulation 4" on sides & 6" on top of Flue Pipe.
- Chimney Placement
- \*CRITICAL DIMENSION: 13" from Foundation Slab (which is LEVEL & FLUSH with sub-floor) to TOP INSIDE flue pipe.
- Chimney: 7" I.D./9" O.D. Double Wall Stainless Steel Flue Pipe by others.



7" I.D. Double Wall  
 Stainless Steel Pipe  
 by others

Flue Pipe  
 MUST be  
 Securely Fastened  
 per manufacturers  
 instructions

7" I.D. Finishing Collar  
 by others

Foamglas Insulation  
 by Mid-Atlantic

7" Damper  
 by Mid-Atlantic

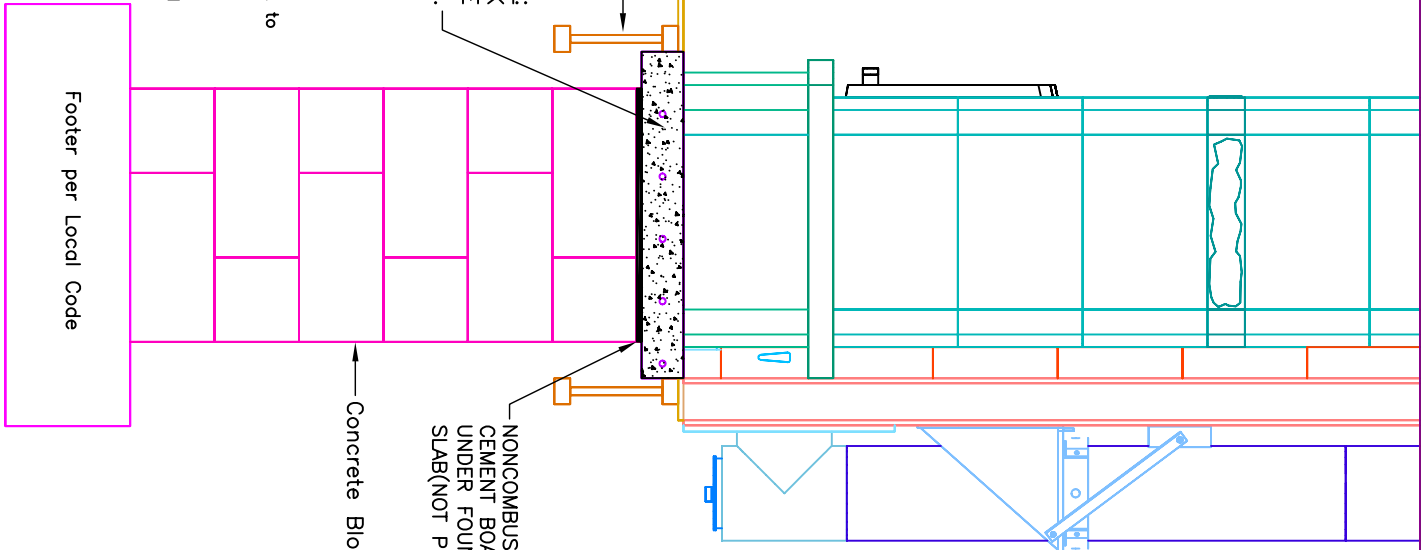
Sub Floor

FOUNDATION SLAB:  
 \*MINIMUM 4" THICK  
 WITH REBAR 6" O.C.  
 \*NONCOMBUSTIBLE  
 CEMENT BOARD under  
 foundation  
 slab (NOT PLYWOOD)

FOUNDATION SLAB:  
 MINIMUM 4" THICK  
 POURED CONCRETE  
 WITH REBAR 6" O.C.

NOTE:  
 TOP OF FOUNDATION SLAB TO  
 BE LEVEL AND FLUSH WITH  
 SUB-FLOOR

Tolerances:  
 +/- 1/8" No additional cost to  
 adjust slab  
 +/- 1/4" \$150.00-\$200.00  
 additional cost to  
 adjust slab  
 +/- 1/2" \$500.00 additional  
 cost to adjust slab

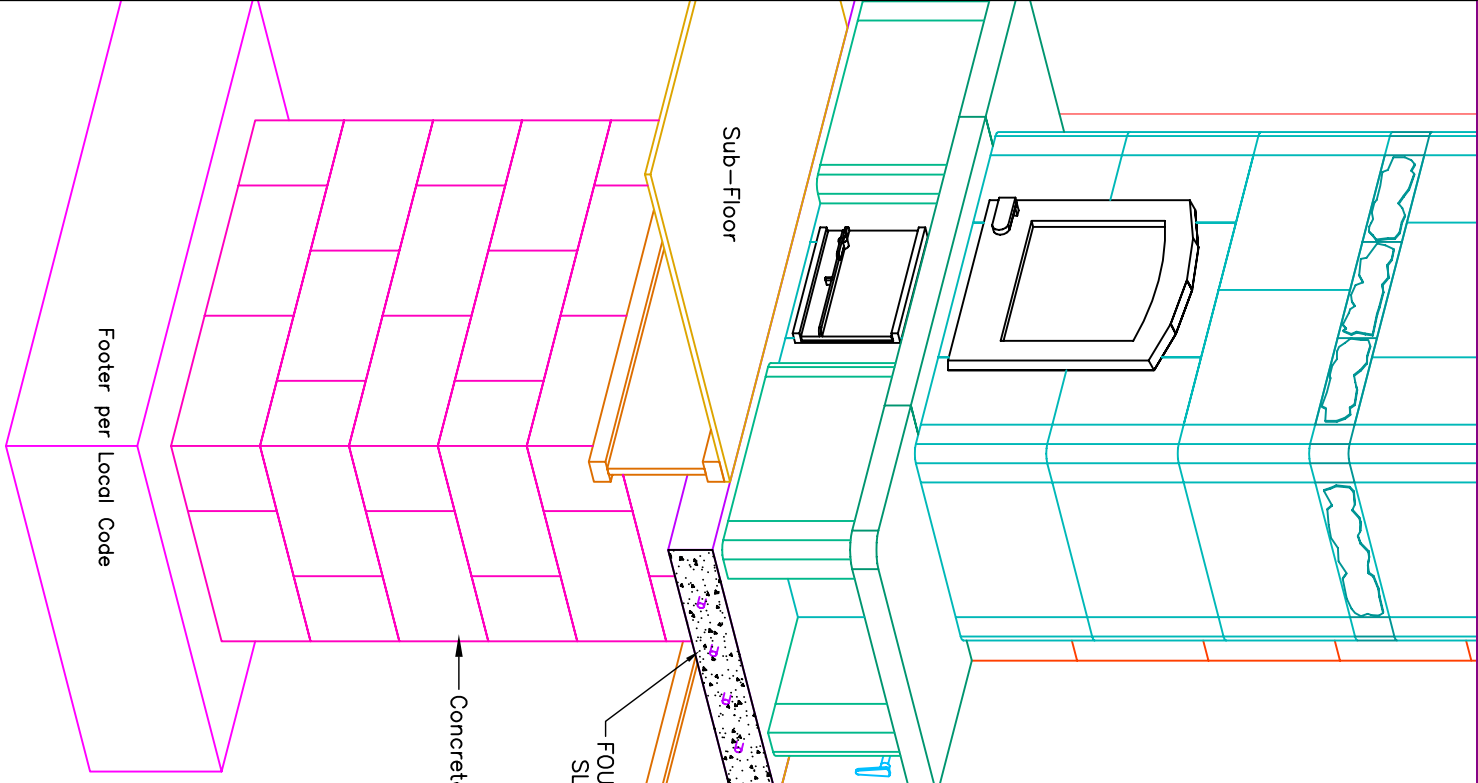


Footer per Local Code

Concrete Block

NONCOMBUSTIBLE  
 CEMENT BOARD  
 UNDER FOUNDATION  
 SLAB (NOT PLYWOOD)

UNIT WEIGHT: MINIMUM 6000lbs.  
 Contractor is responsible for engineering foundation slab to support weight of fireplace.



Footer per Local Code

Concrete Block

FOUNDATION  
 SLAB

Sub-Floor

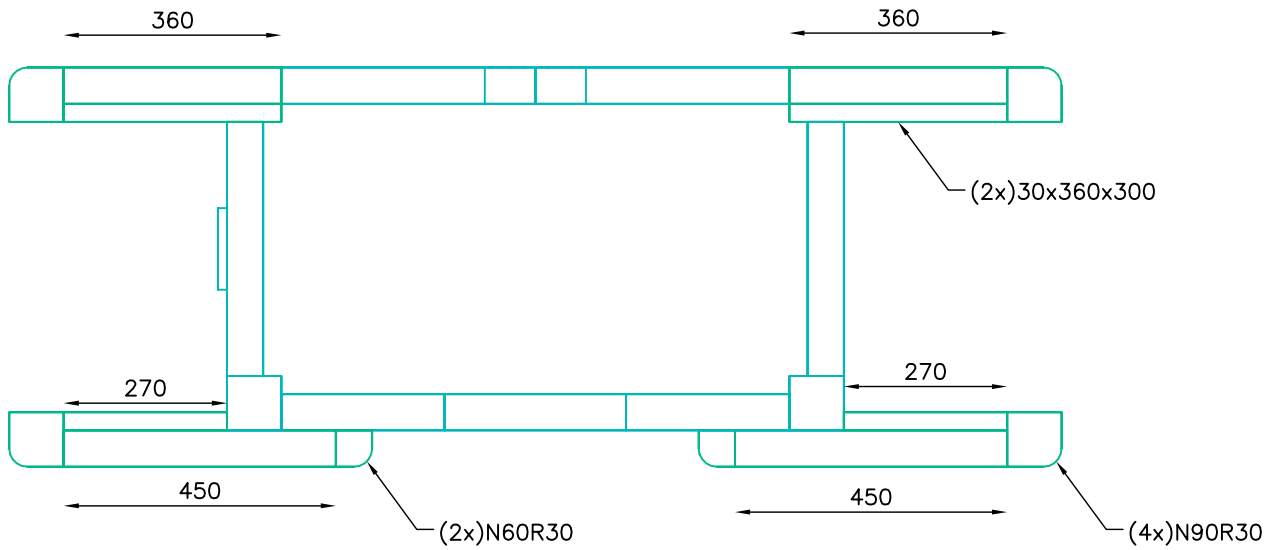
**INFORMATION ONLY**



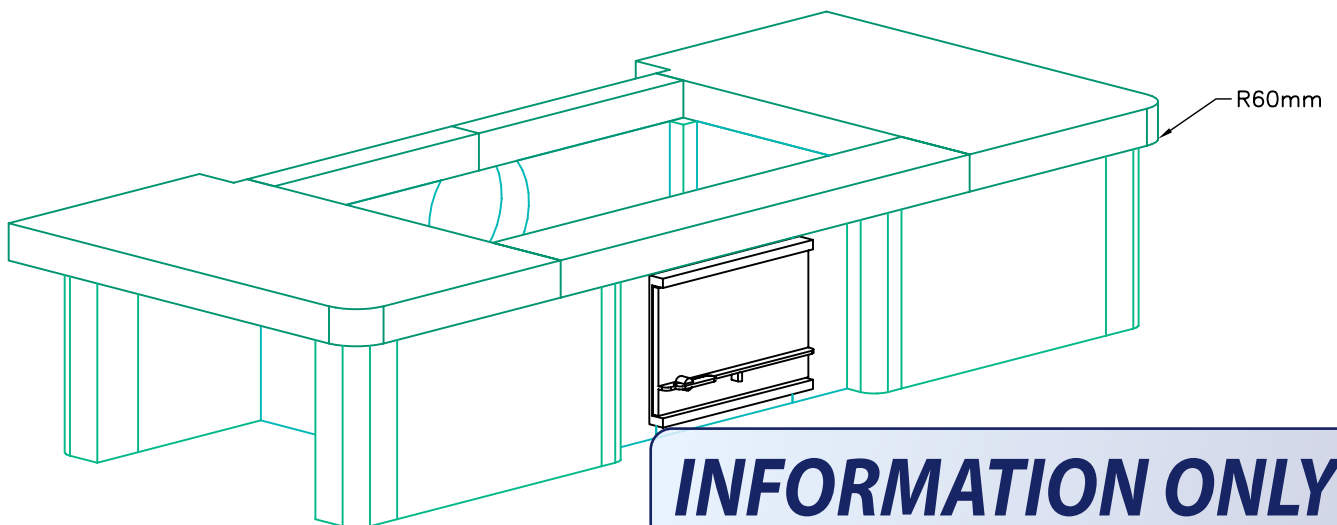
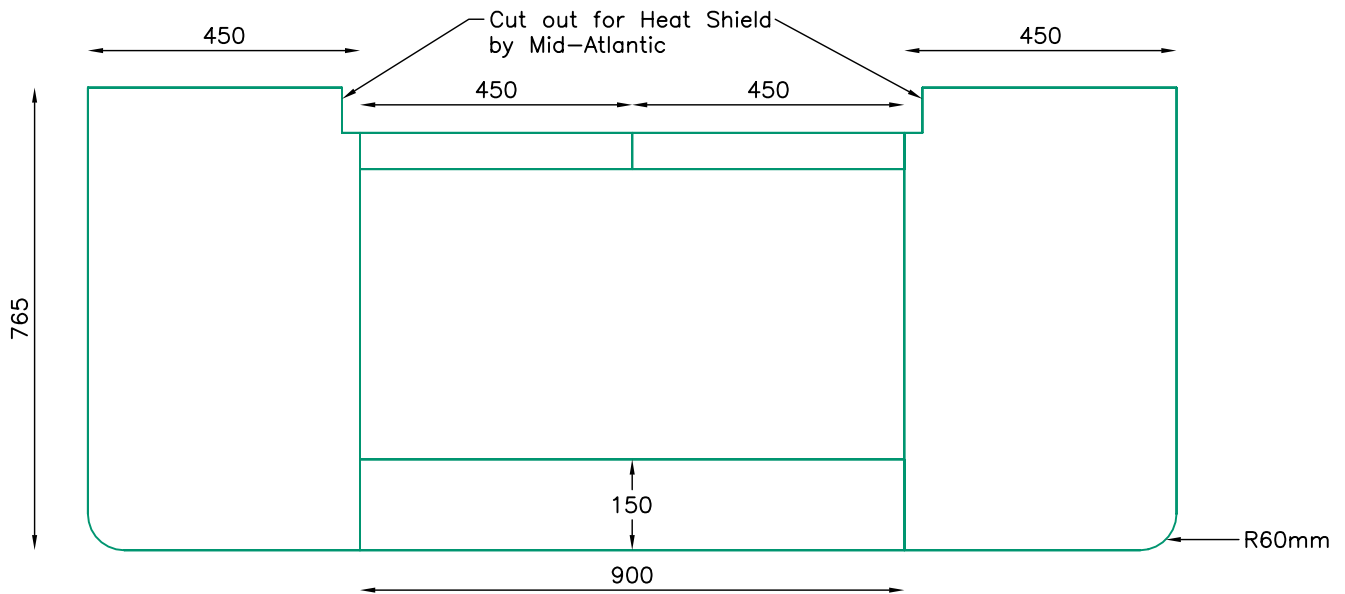
MID-ATLANTIC MASONRY HEAT  
 McIntire Business Park  
 Charlottesville, VA 22903  
 (434)979-9709 Fax 434-979-6416

PROJECT	JACKSON	CONTRACT	VIEW	Foundation Slab	PAGE	7
MODEL	TU2200	DRAWN BY	D.P.BYRAM	DATE	8/20/03	

Bench Risers

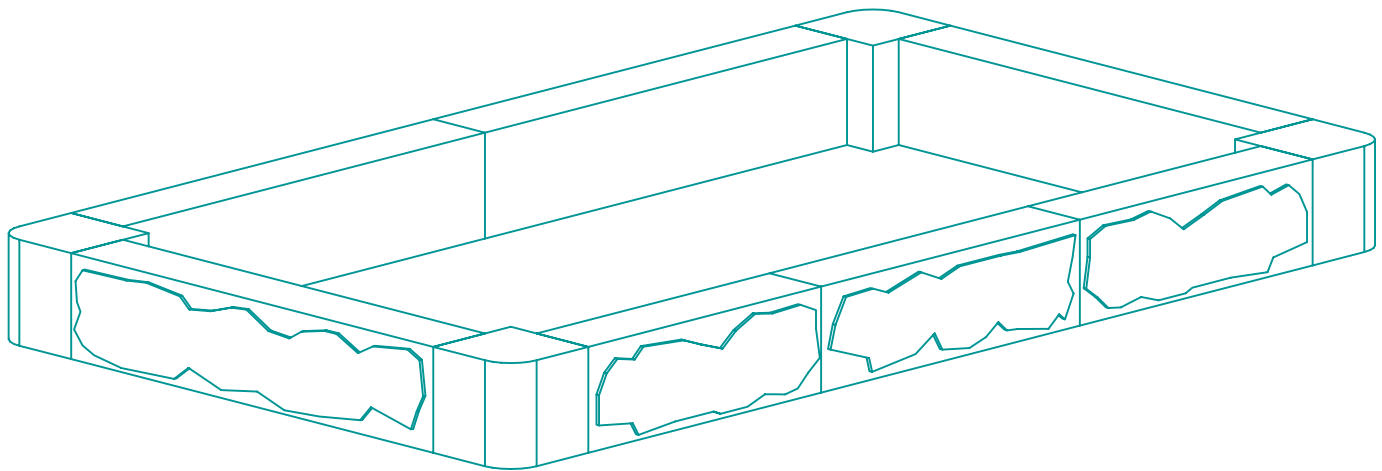
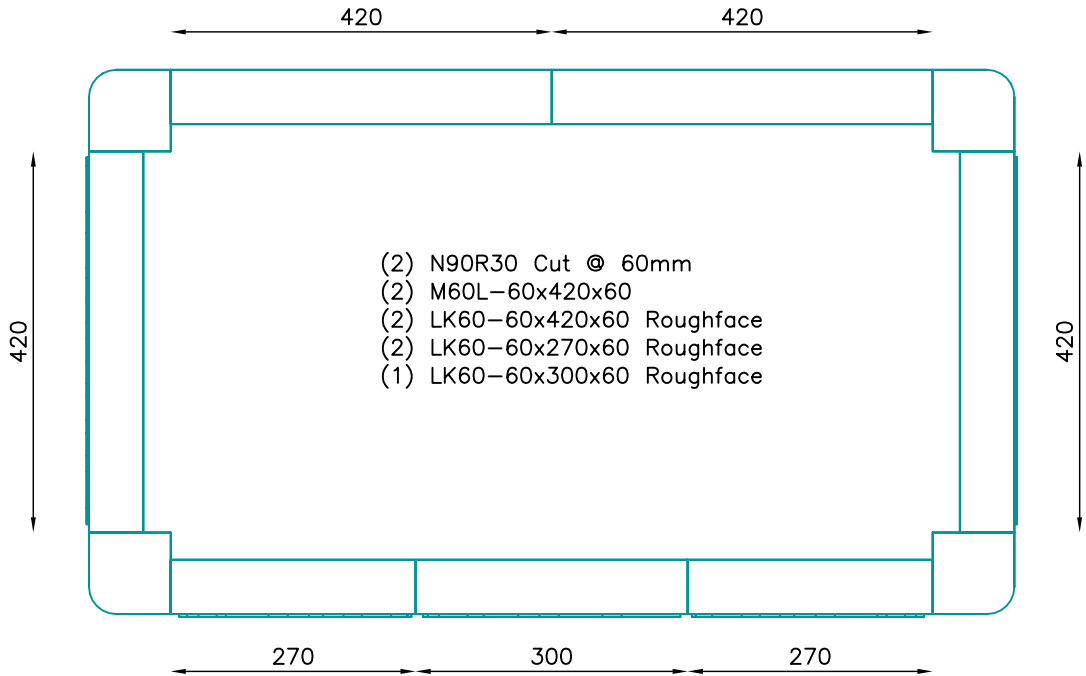


Bench Slabs



**INFORMATION ONLY**

Roughface



**INFORMATION ONLY**