
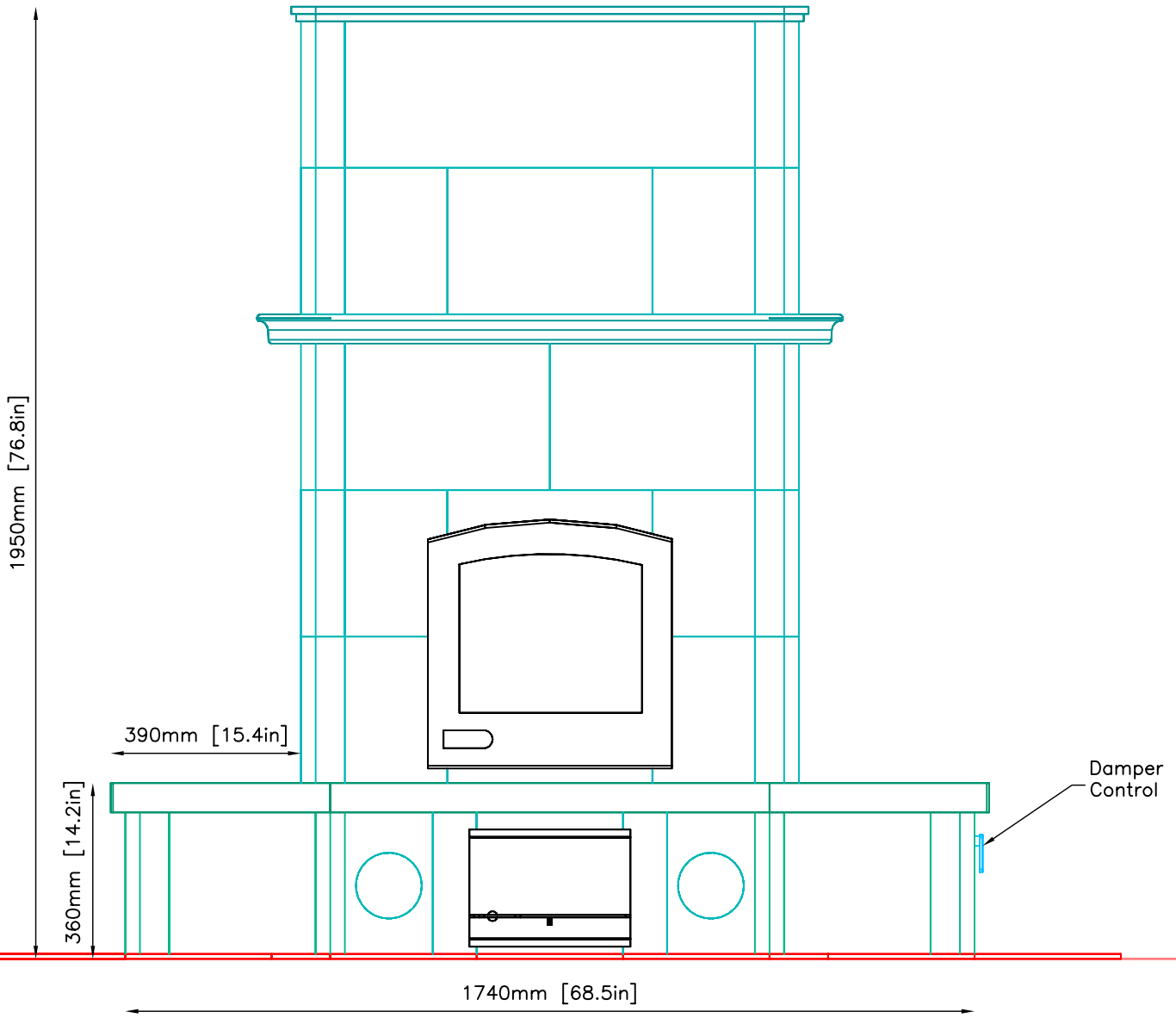


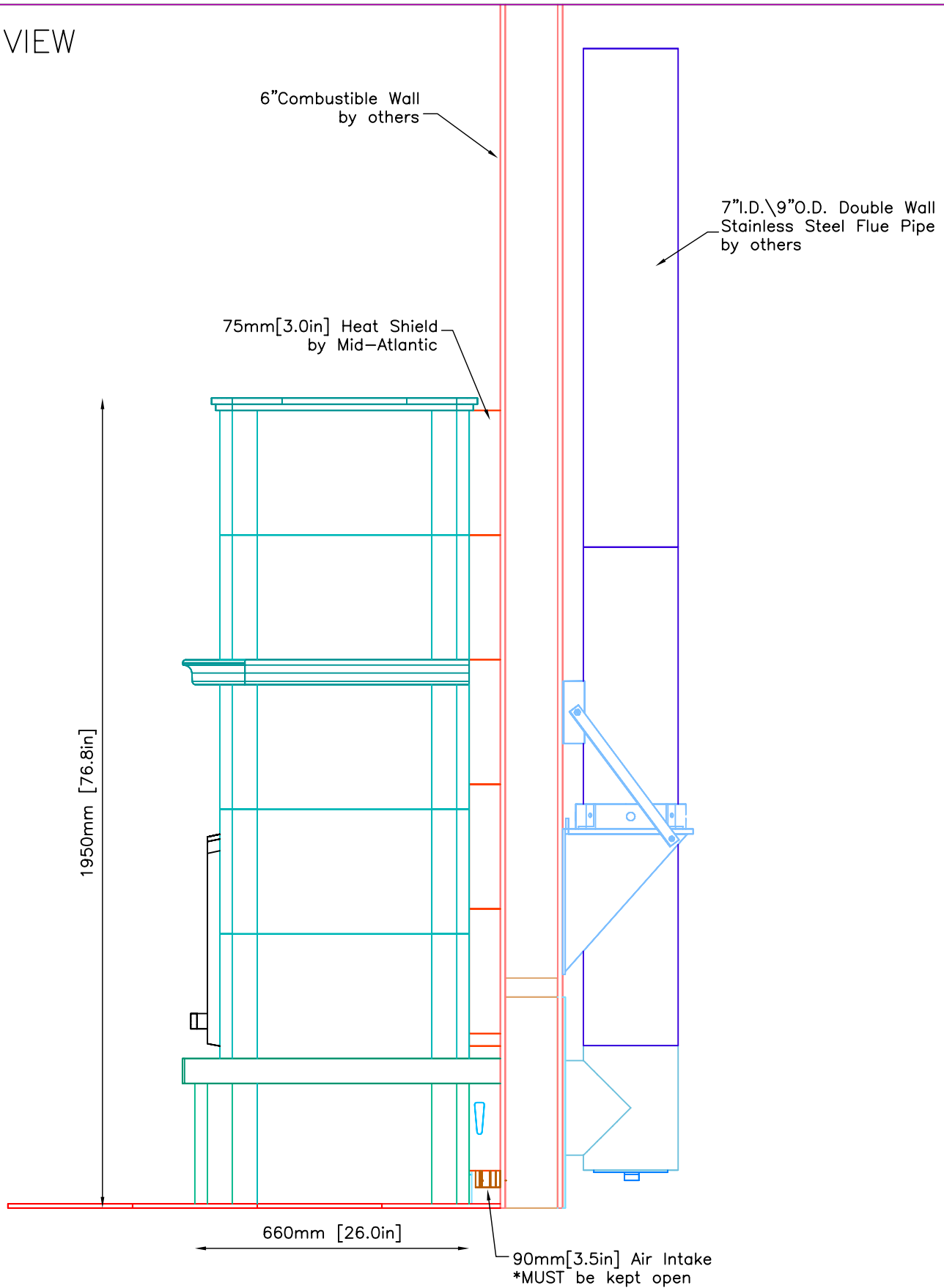
NOTE: Hearth Tiles CUT AND INSTALLED by others

TULIKIVI 	MID-ATLANTIC MASONRY HEAT 1229 Harris Street Suite 1 Charlottesville, VA 22903 (434)979-9709 Fax 434-979-6416		PROJECT SCHLEGEL	CONTRACT	VIEW PERSPECTIVE	PAGE 1
	MODEL TU2200	DRAWN BY D.P.BYRAM	DATE 8/29/03			

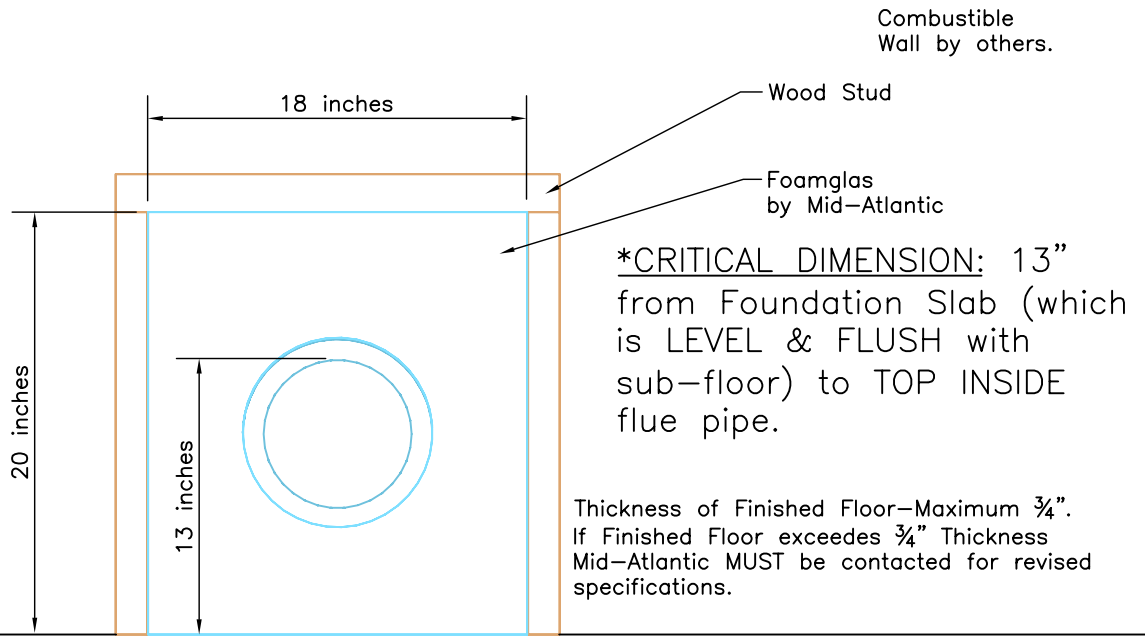
FRONT VIEW



SIDE VIEW

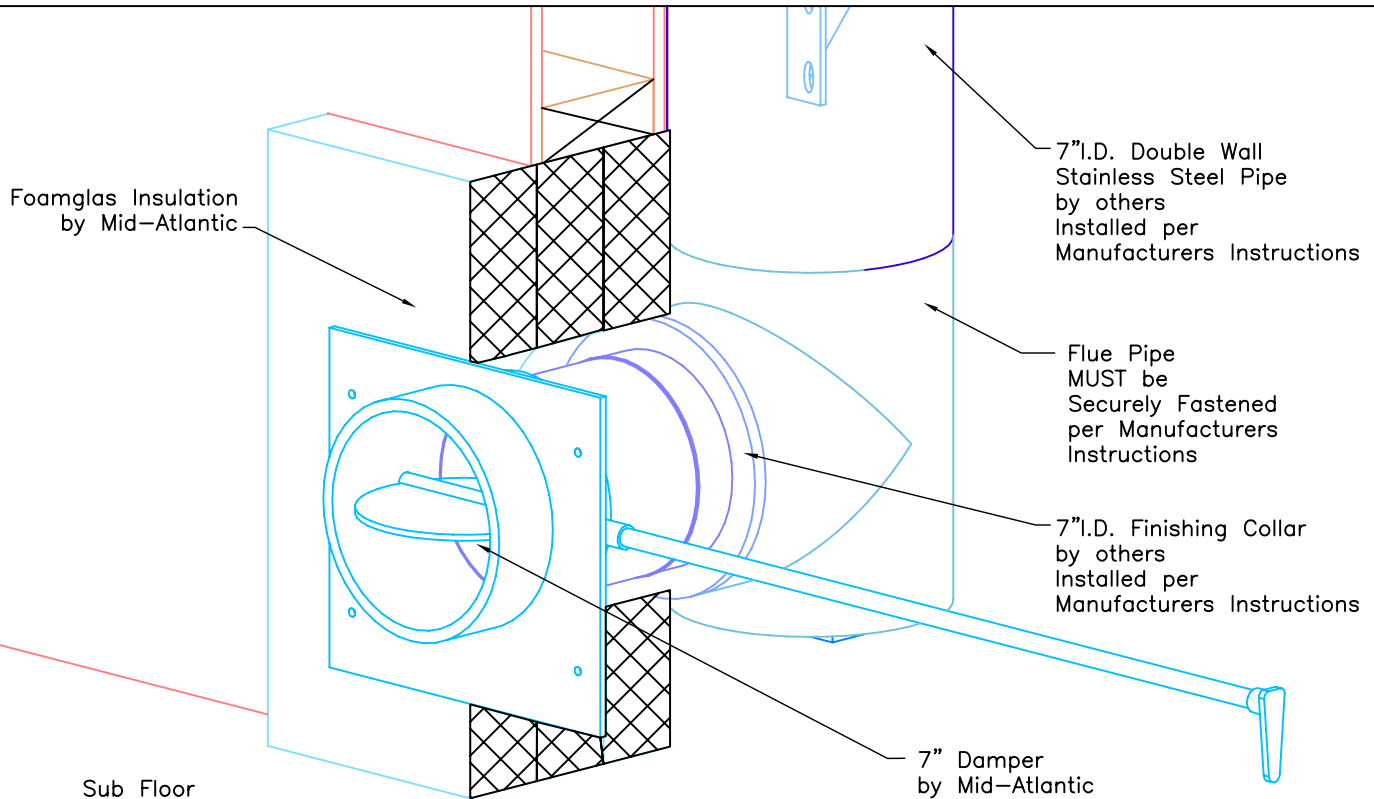


WALL ELEVATION



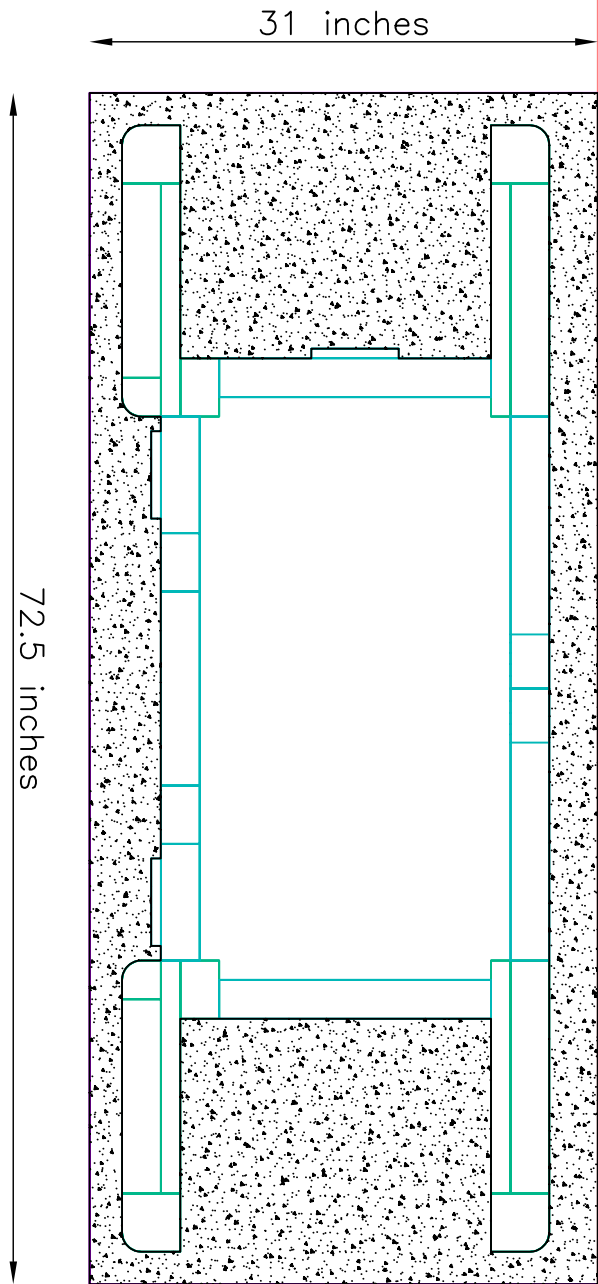
Notes:

Sheetrock around 18"x20" Opening MUST be in Place Prior to Installation.
 UL Listed – Minimum Foamglas Insulation 4" on sides & 6" on top of Flue Pipe.
Chimney Placement
 *CRITICAL DIMENSION: 13" from Foundation Slab (which is LEVEL & FLUSH with sub-floor) to TOP INSIDE flue pipe.
 Chimney: 7" I.D./9" O.D. Double Wall Stainless Steel Flue Pipe by others.



FOUNDATION SLAB

Minimum 4" Thick Poured Concrete With Rebar 6"O.C.
 Minimum Dimensions--2" from Base of Unit



NOTE:
 TOP OF FOUNDATION SLAB TO BE LEVEL AND FLUSH WITH SUB-FLOOR
 Tolerances: +/- 1/8" No addition cost to adjust slab
 +/- 1/4" \$150.00-\$200.00 additional cost to adjust slab
 +/- 1/2" \$500.00 additional cost to adjust slab

UNIT WEIGHT: MINIMUM 3500lbs.
 Contractor is responsible for engineering foundation slab to support weight of fireplace.



MID-ATLANTIC MASONRY HEAT
 1229 Harris Street Suite 1
 Charlottesville, VA 22903
 (434)979-9709 Fax 434-979-6416

PROJECT
 SCHLEGEL
 MODEL
 TU2200

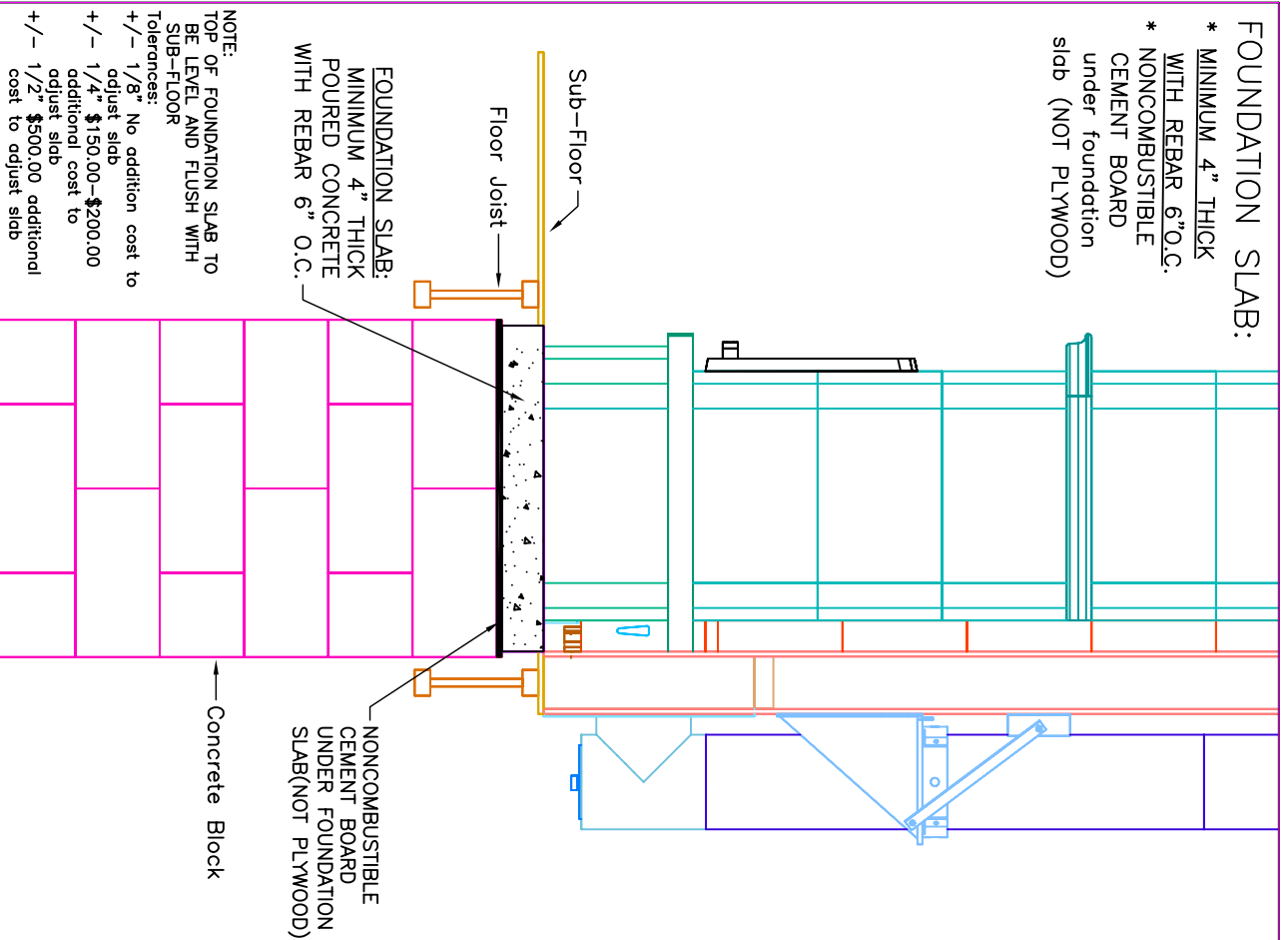
CONTRACT
 DRAWN BY
 D.P.BYRAM

VIEW
 SUPPORT
 DATE
 8/29/03

PAGE
 6

FOUNDATION SLAB:

- * MINIMUM 4" THICK WITH REBAR 6" O.C.
- * NONCOMBUSTIBLE CEMENT BOARD under foundation slab (NOT PLYWOOD)



NOTE:
 TOP OF FOUNDATION SLAB TO BE LEVEL AND FLUSH WITH SUB-FLOOR
 Tolerances:
 +/- 1/8" No addition cost to adjust slab
 +/- 1/4" \$150.00-\$200.00 additional cost to adjust slab
 +/- 1/2" \$500.00 additional cost to adjust slab

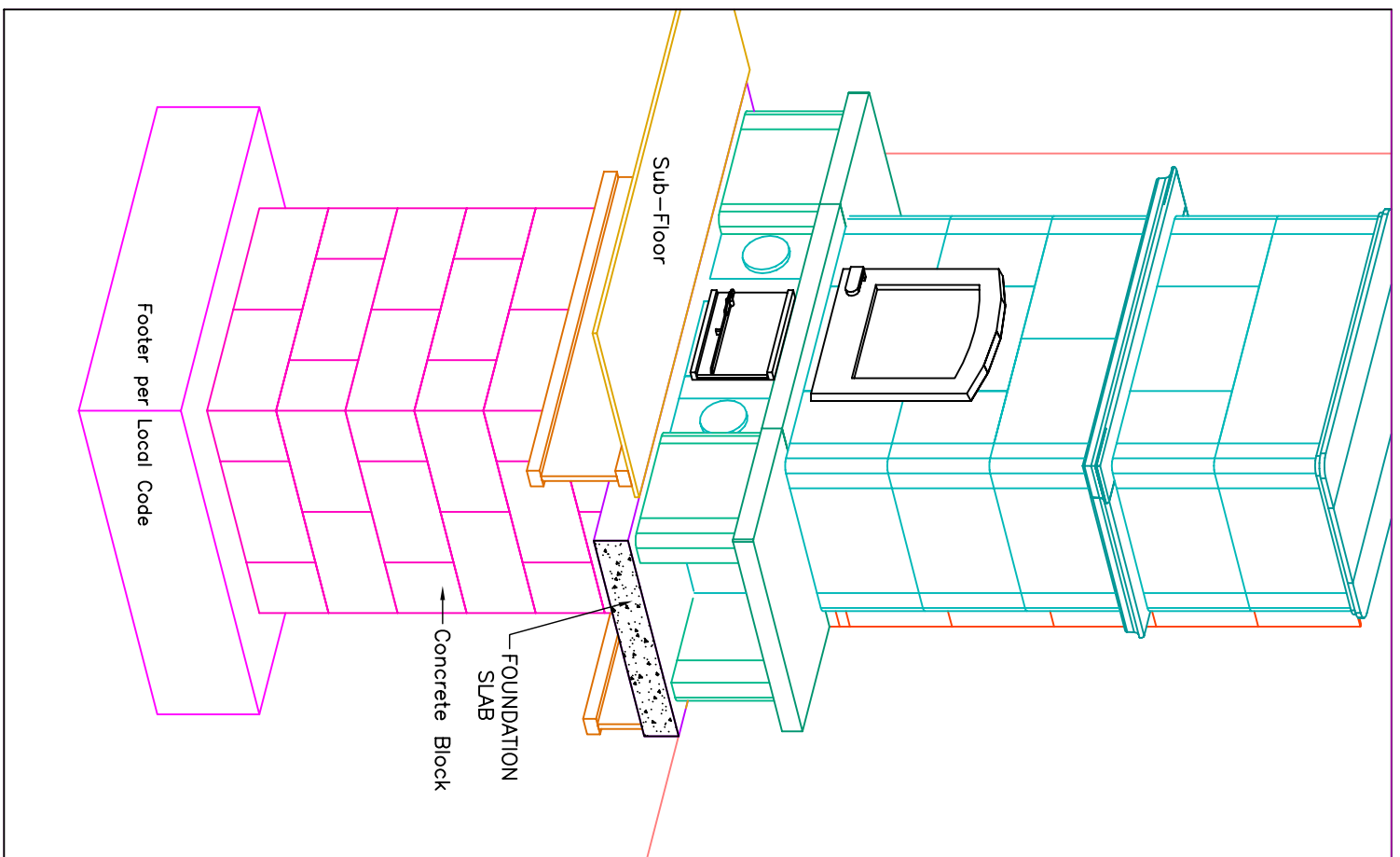
FOUNDATION SLAB:
 MINIMUM 4" THICK
 POURED CONCRETE
 WITH REBAR 6" O.C.

NONCOMBUSTIBLE
 CEMENT BOARD
 UNDER FOUNDATION
 SLAB (NOT PLYWOOD)

Footer per Local Code

Concrete Block

UNIT WEIGHT: MINIMUM 3500lbs.
 Contractor is responsible for engineering foundation slab to support weight of fireplace.



Footer per Local Code

Concrete Block