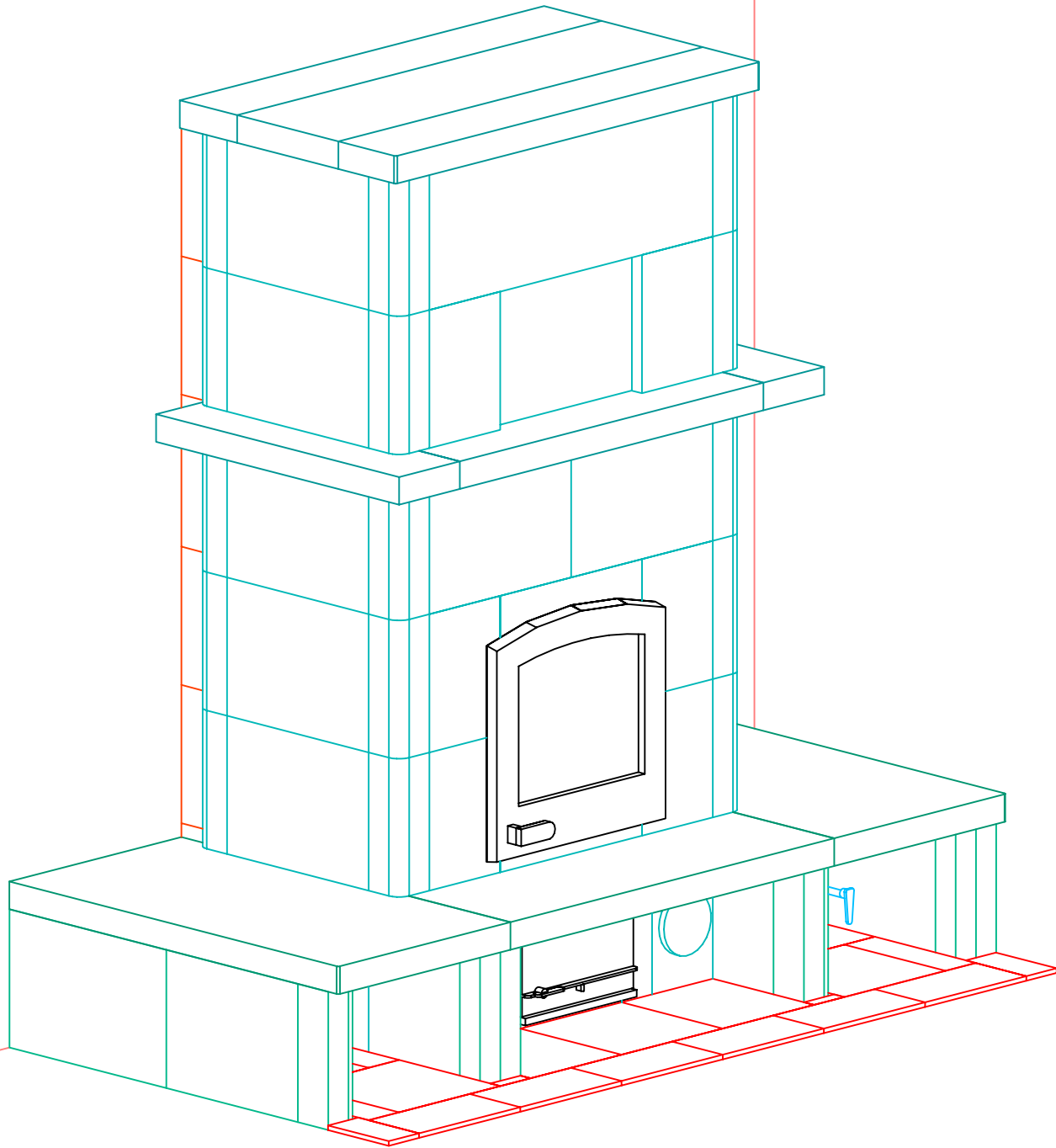


Revision: 1 Date: 1/15/04 By: DPB

Revision: 2 Date: 1/22/04 By: DPB

# INFORMATION ONLY



NOTE: Hearth Tiles CUT AND INSTALLED by others



FIREPLACE EDITIONS  
 1035 Mt. Carmel Church Road  
 Chapel Hill, NC 27517  
 (919)968-8101 Fax 919-969-8353

PROJECT SHEPHERD  
 MODEL TU2500

CONTRACT 5613  
 DRAWN BY D.P.BYRAM

VIEW PERSPECTIVE  
 DATE 1/09/04

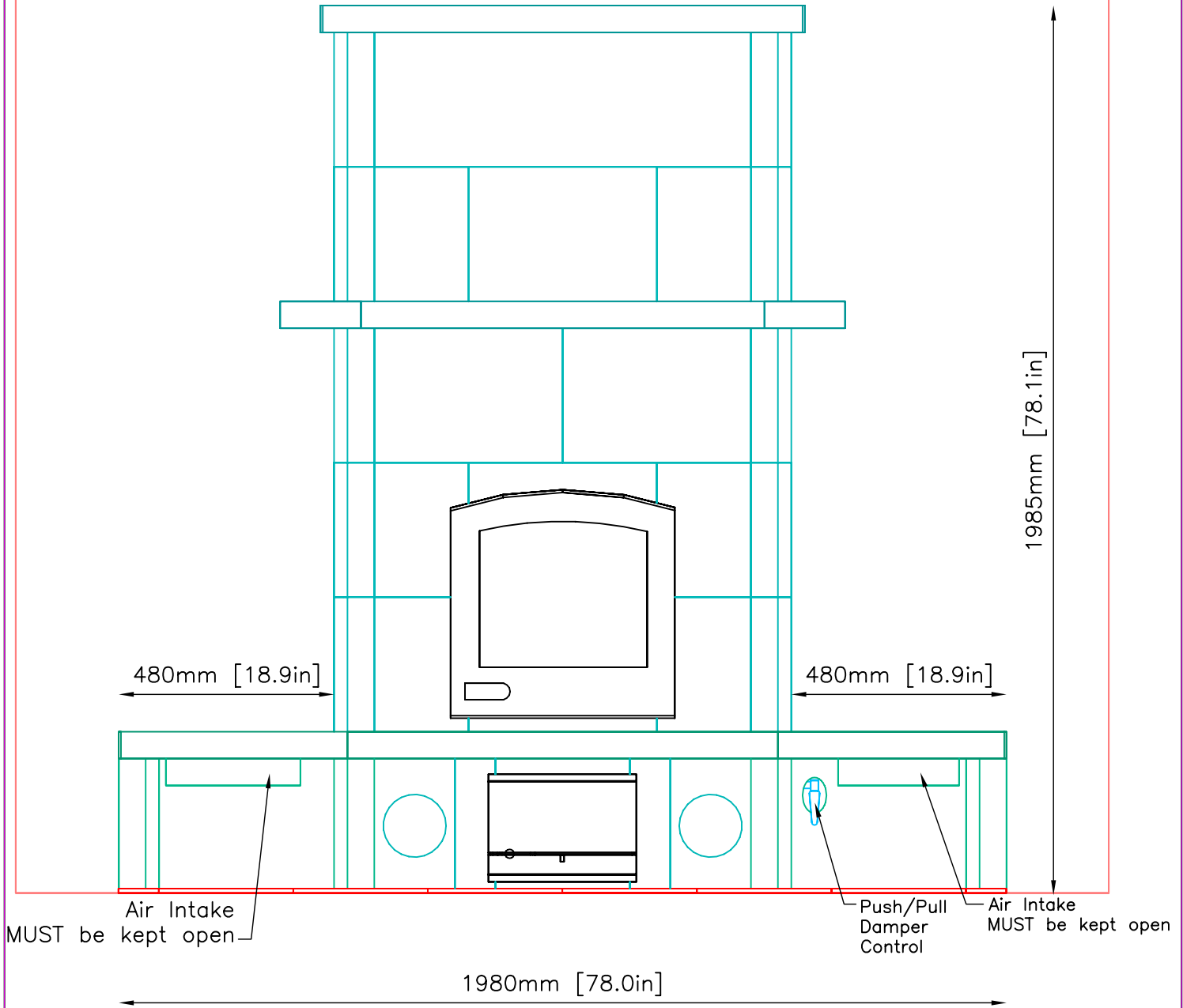
PAGE 1

Revision: 1 Date: 1/15/04 By: DPB

Revision: 2 Date: 1/22/04 By: DPB

# INFORMATION ONLY

## FRONT VIEW



NOTE: Hearth Tiles CUT AND INSTALLED by others



FIREPLACE EDITIONS  
 1035 Mt. Carmel Church Road  
 Chapel Hill, NC 27517  
 (919)968-8101 Fax 919-969-8353

PROJECT SHEPHERD  
 MODEL TU2500

CONTRACT 5613  
 DRAWN BY D.P.BYRAM

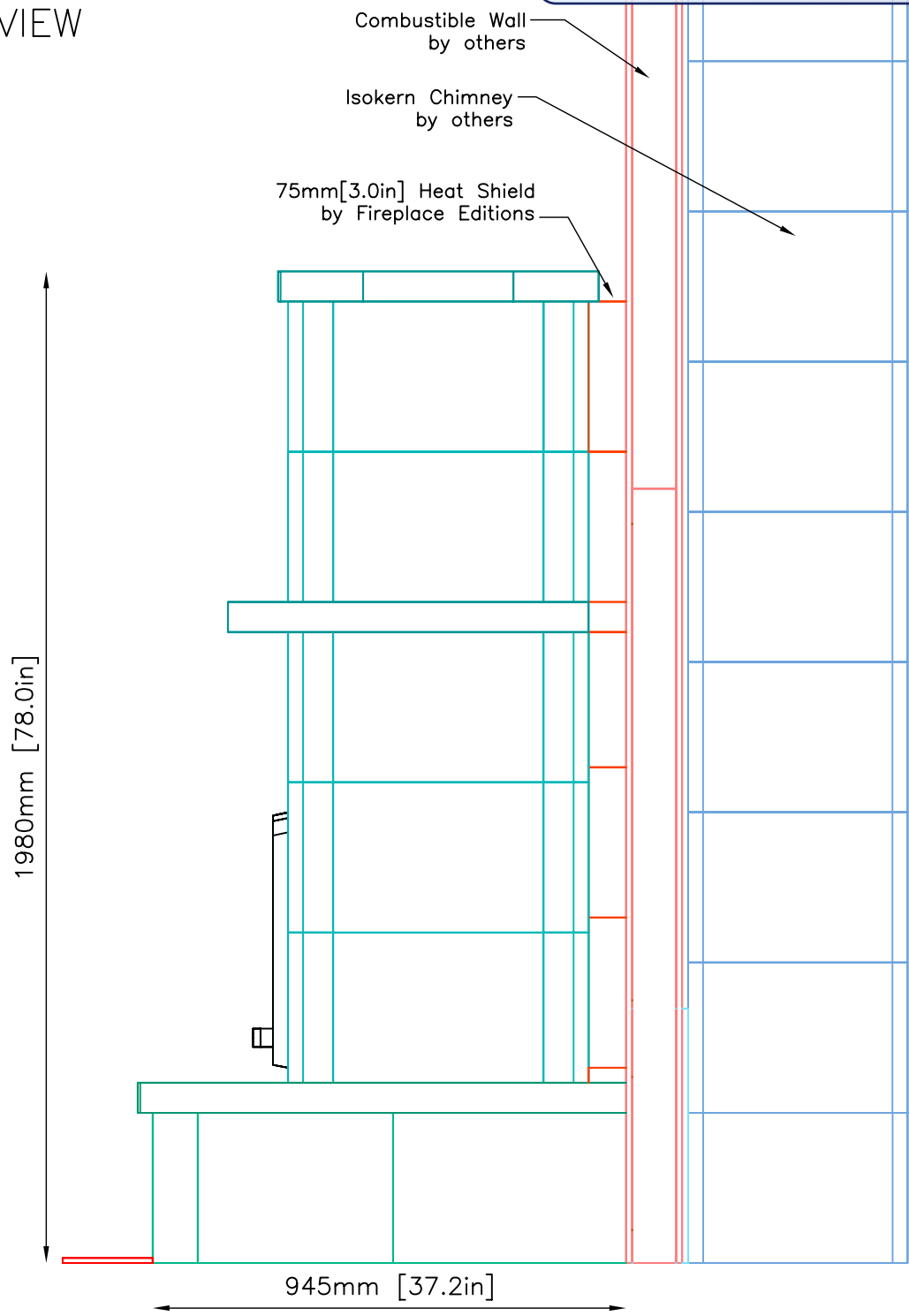
VIEW FRONT  
 DATE 1/09/04

PAGE 2

Revision: 1	Date: 1/15/04	By: DPB
Revision: 2	Date: 1/22/04	By: DPB

# INFORMATION ONLY

## SIDE VIEW



NOTE: Hearth Tiles CUT AND INSTALLED by others



FIREPLACE EDITIONS  
 1035 Mt. Carmel Church Road  
 Chapel Hill, NC 27517  
 (919)968-8101 Fax 919-969-8353

PROJECT SHEPHERD  
 MODEL TU2500

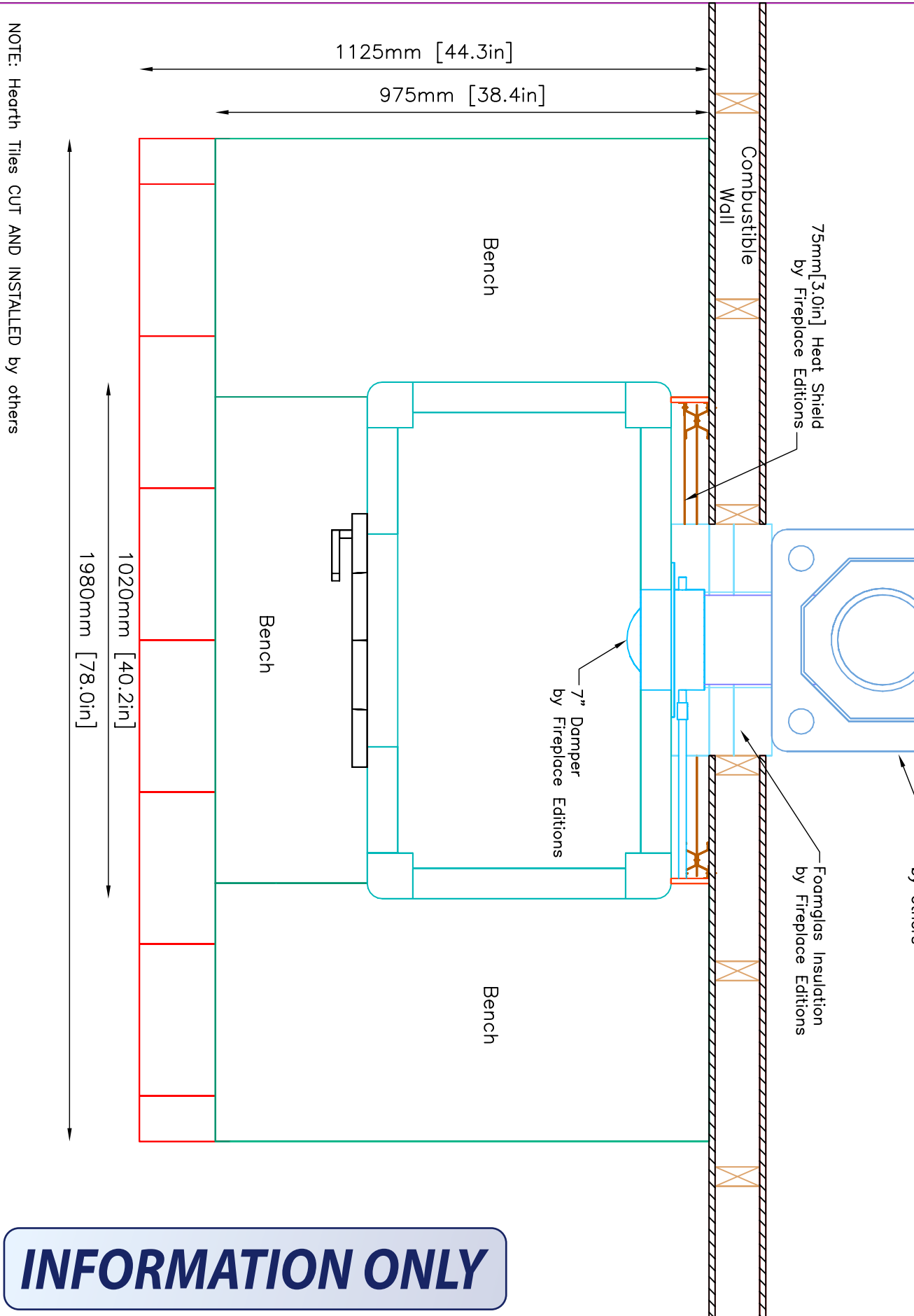
CONTRACT 5613  
 DRAWN BY D.P.BYRAM

VIEW SIDE  
 DATE 1/09/04

PAGE 3

Revision: 1	Date: 1/15/04	By: DPB
Revision: 2	Date: 1/22/04	By: DPB

# PLAN VIEW



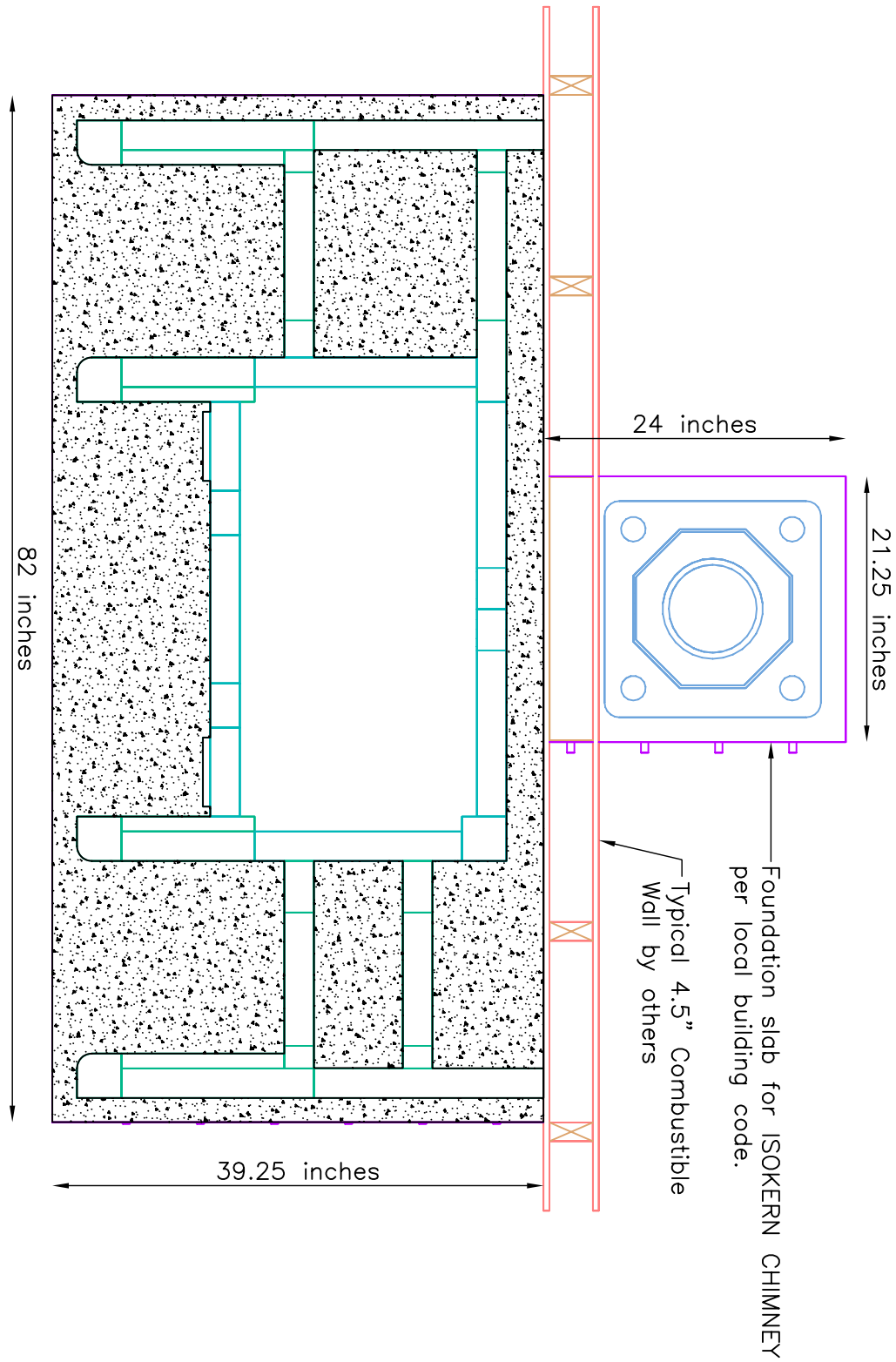
**INFORMATION ONLY**

	FIREPLACE EDITIONS 1035 Mt. Carmel Church Road Chapel Hill, NC 27517 (919)968-8101 Fax 919-969-8353	PROJECT	SHEPHERD	CONTRACT	5613	VIEW	PLAN	PAGE 4
		MODEL	TU2500	DRAWN BY	D.P.BYRAM	DATE	1/09/04	

# INFORMATION ONLY

Revision: 1	Date: 1/15/04	By: DPB
Revision: 2	Date: 1/22/04	By: DPB

**FOUNDATION SLAB**  
 Minimum 4" Thick Poured Concrete With Rebar 6"O.C.  
 Minimum Dimensions--2" from Base of Unit



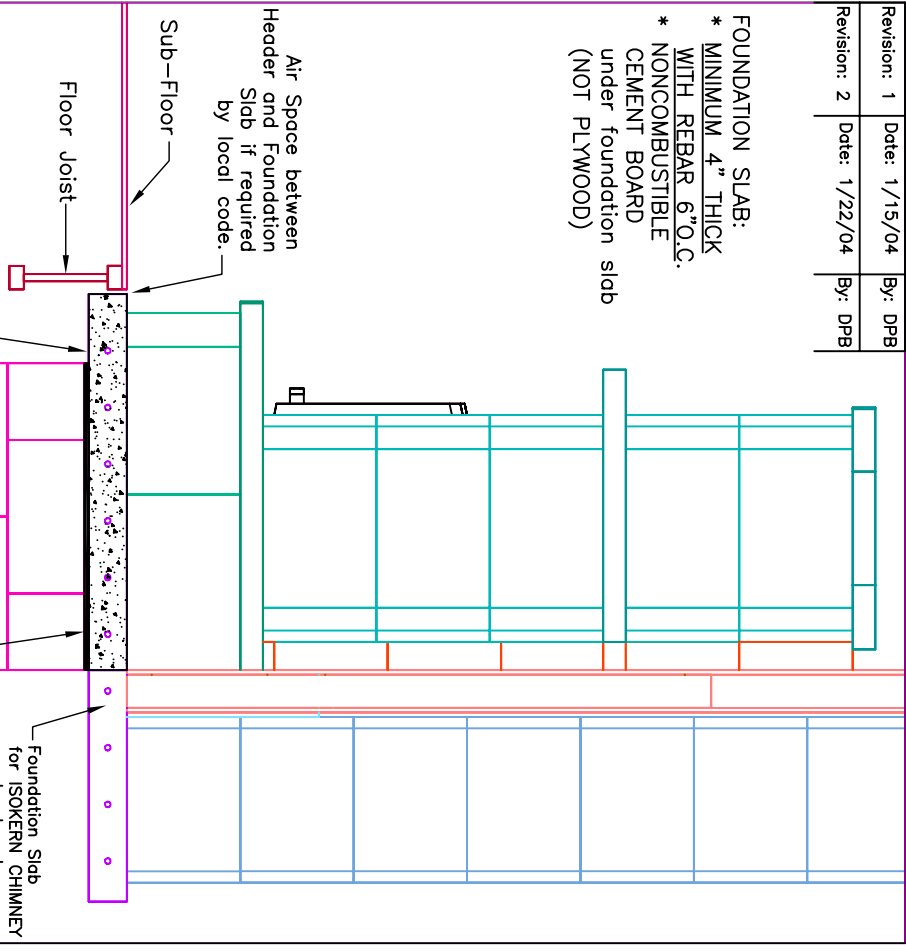
**NOTE:**  
 TOP OF FOUNDATION SLAB TO BE LEVEL AND FLUSH WITH SUB-FLOOR  
 Tolerances: +/- 1/8" No additional cost to level slab  
 +/- 1/4" \$150.00-\$200.00 additional cost to level slab  
 +/- 1/2" \$500.00 additional cost to level slab

**UNIT WEIGHT: 6200lbs.**  
 Owner/Contractor is responsible for engineering Foundation Slab to support weight of fireplace.

	FIREPLACE EDITIONS 1035 Mt. Carmel Church Road Chapel Hill, NC 27517 (919)968-8101 Fax 919-969-8353	PROJECT	CONTRACT	VIEW	PAGE
		SHEPHERD	5613	SUPPORT	5
		MODEL	DRAWN BY	DATE	
		TU2500	D.P.BYRAM	1/09/04	

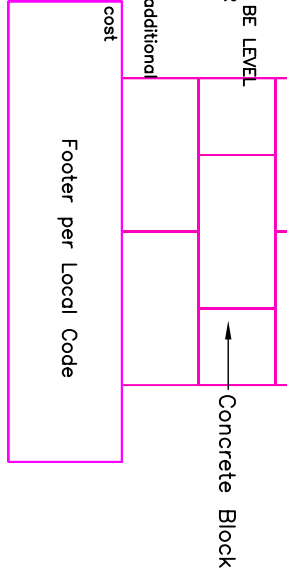
Revision: 1	Date: 1/15/04	By: DPB
Revision: 2	Date: 1/22/04	By: DPB

FOUNDATION SLAB:  
 \* MINIMUM 4" THICK WITH REBAR 6" O.C.  
 \* NONCOMBUSTIBLE CEMENT BOARD under foundation slab (NOT PLYWOOD)



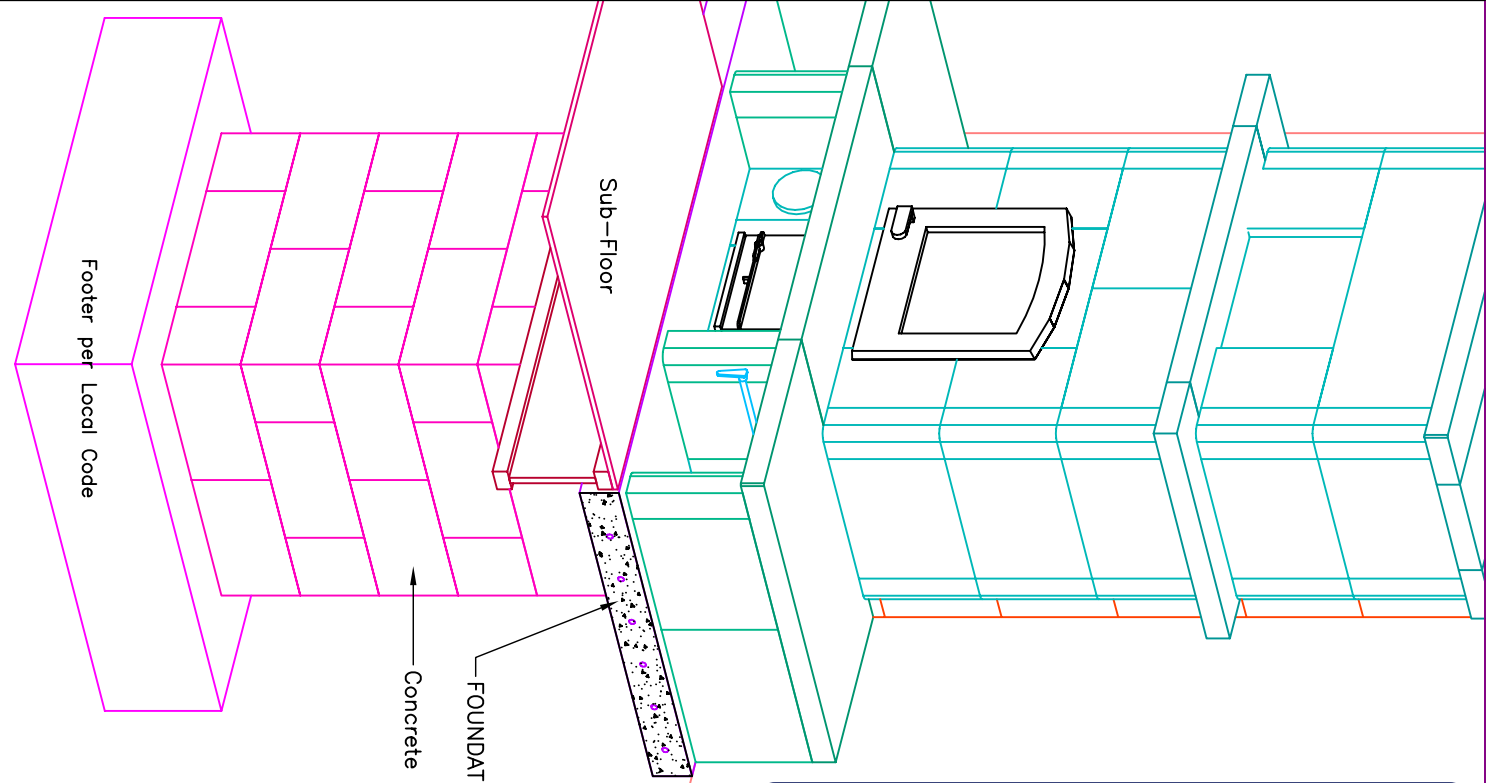
FOUNDATION SLAB: MINIMUM 4" THICK POURED CONCRETE WITH REBAR 6" O.C.  
 NONCOMBUSTIBLE CEMENT BOARD UNDER FOUNDATION SLAB (NOT PLYWOOD)  
 Foundation Slab for ISOKERN CHIMNEY per local code.

NOTE: TOP OF FOUNDATION SLAB TO BE LEVEL AND FLUSH WITH SUB-FLOOR  
 Tolerances:  
 +/- 1/8" No additional cost to level slab  
 +/- 1/4" \$150.00-\$200.00 additional cost to level slab  
 +/- 1/2" \$500.00 additional cost to level slab



UNIT WEIGHT: 6200lbs.  
 Owner/Contractor is responsible for engineering Foundation Slab to support weight of fireplace.

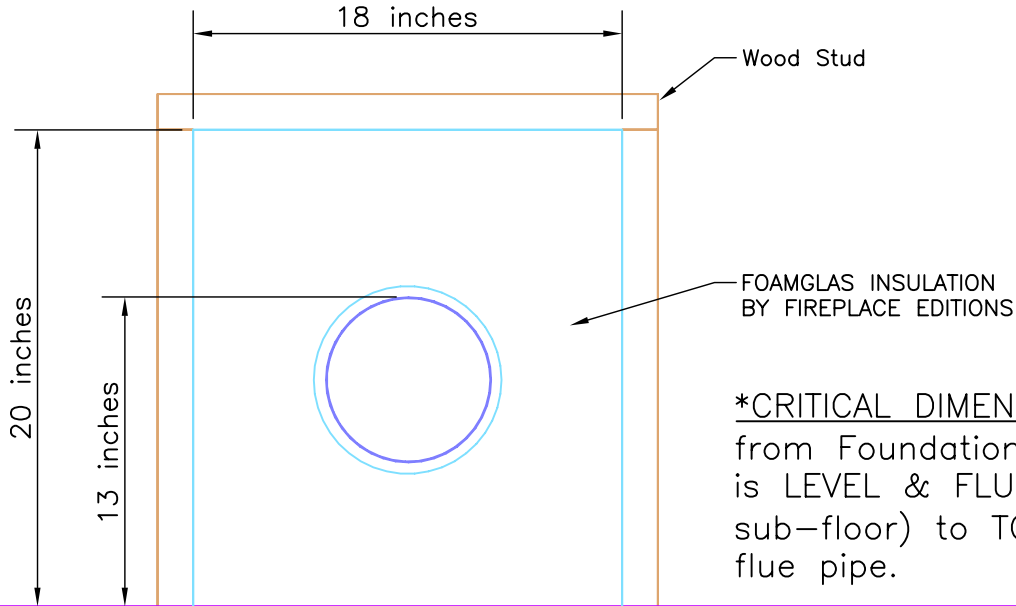
# INFORMATION ONLY



Revision: 1	Date: 1/15/04	By: DPB
Revision: 2	Date: 1/22/04	By: DPB

# INFORMATION ONLY

## WALL ELEVATION



**\*CRITICAL DIMENSION:** 13" from Foundation Slab (which is LEVEL & FLUSH with sub-floor) to TOP INSIDE flue pipe.

FOUNDATION SLAB

**Notes:**

Sheetrock behind Fireplace MUST be in place PRIOR to Installation.  
 UL Listed – Minimum Foamglas Insulation 4" on sides & 6" on top of Flue Pipe.

Thickness of Finished Floor—Maximum 3/4".  
 If Finished Floor exceeds 3/4" Thickness Fireplace Editions MUST be contacted for revised specifications.

Chimney Placement

**\*CRITICAL DIMENSION:** 13" from Foundation Slab (which is LEVEL & FLUSH with sub-floor) to TOP INSIDE flue pipe.

