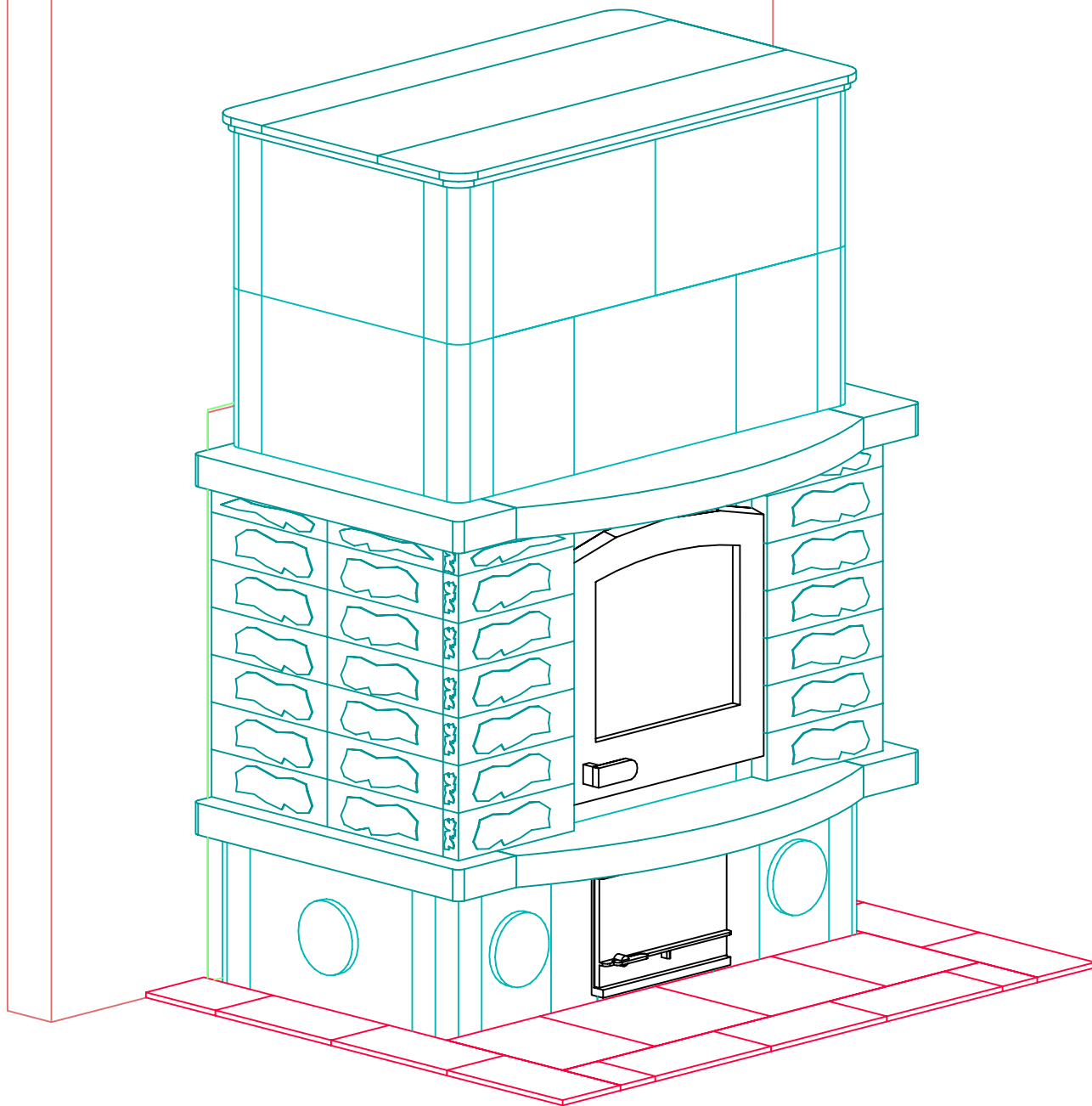


INFORMATION ONLY



NOTE: Hearth Tiles CUT AND INSTALLED by others



MID-ATLANTIC MASONRY HEAT
 1229 Harris Street Suite 1
 Charlottesville, VA 22903
 (434)979-9709 Fax 434-979-6416

PROJECT CARROLL
 MODEL TU2200/1

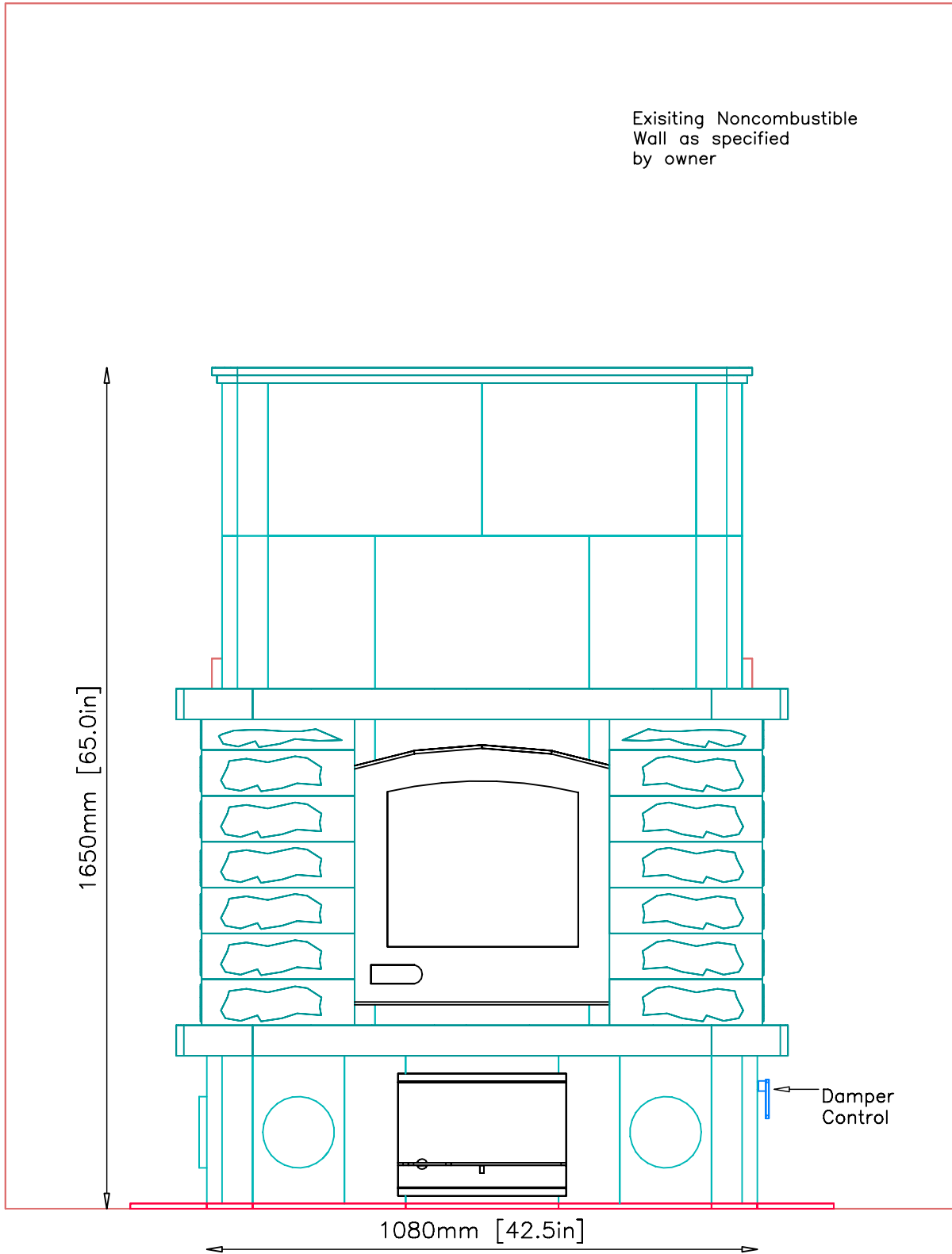
CONTRACT 5359
 DRAWN BY D.P.BYRAM

VIEW PERSPECTIVE
 DATE 6/16/03

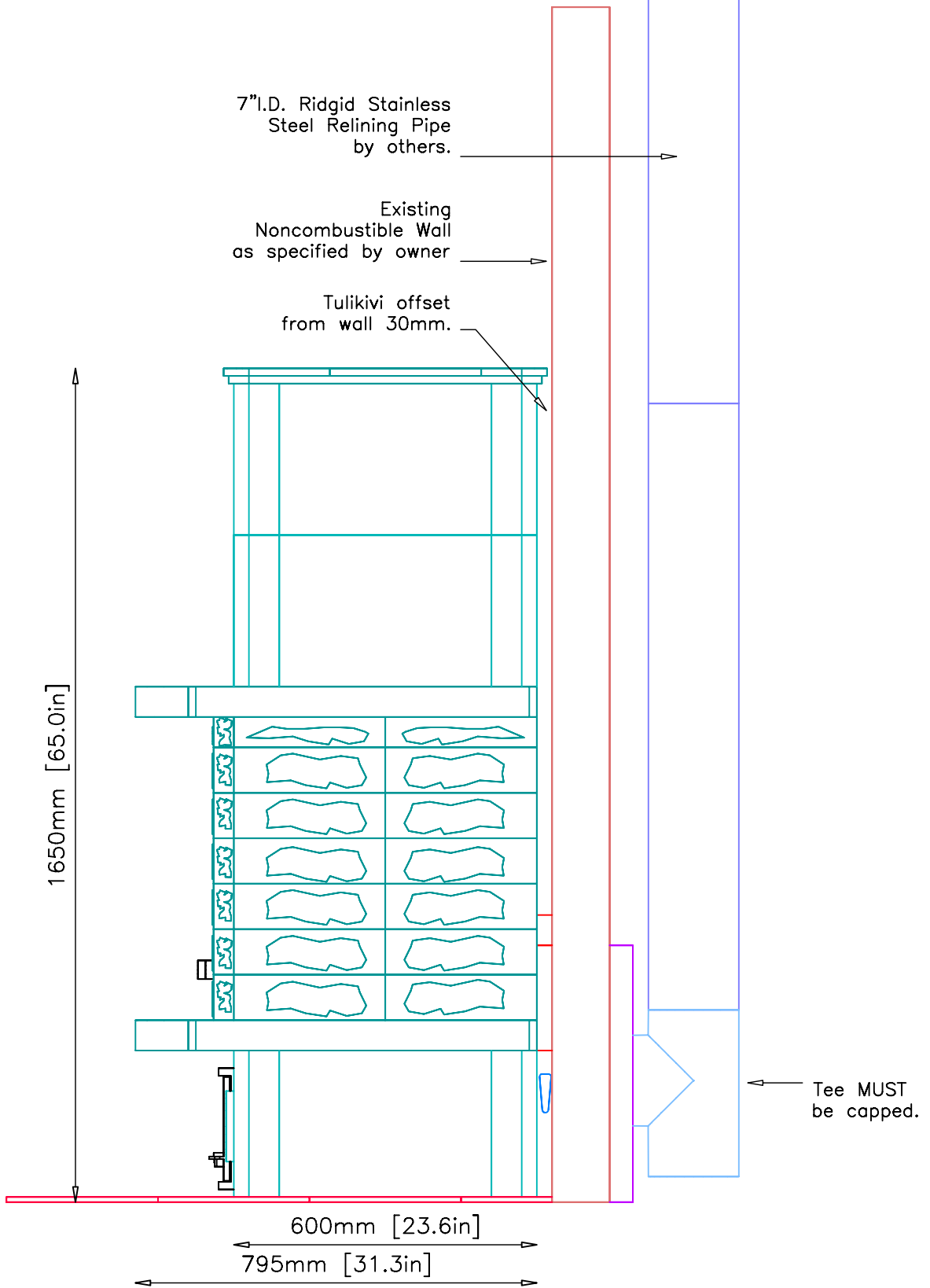
PAGE 1

INFORMATION ONLY

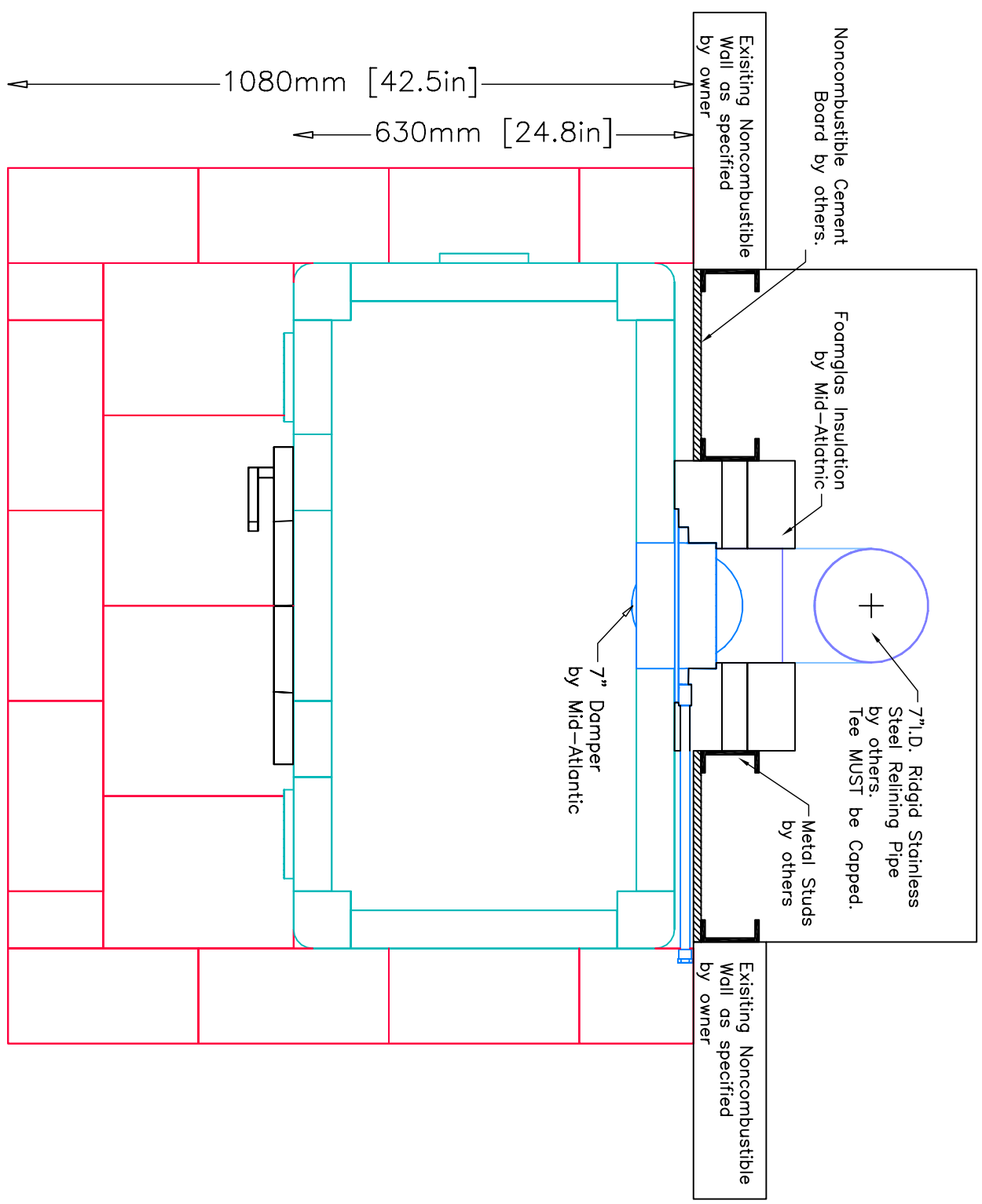
Existing Noncombustible
Wall as specified
by owner



INFORMATION ONLY



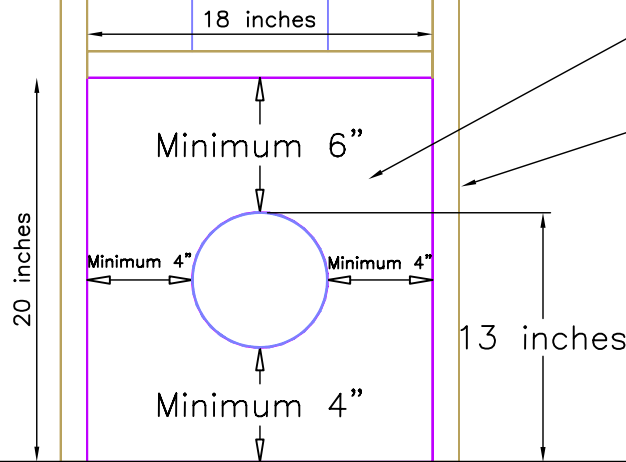
INFORMATION ONLY



7" I.D. Ridgid Stainless Steel Relining Pipe by others
 NOTE: Hearth Tiles CUT AND INSTALLED by others

WALL ELEVATION

INFORMATION ONLY



Existing Noncombustible Wall as specified by owner.

Foamglas Insulation by Mid-Atlantic

Metal Studs by others.

Sub-Floor Line

Notes:

*Noncombustible Cement Board and metal studs to cover existing opening MUST be in place before installation.

*CRITICAL DIMENSION: 13" from TOP of Sub-Floor to TOP INSIDE flue pipe.

Flue System: 7" I.D. Rigid Stainless Steel Relining Pipe by others.

*CRITICAL DIMENSION:

13" from TOP of Sub-Floor to TOP INSIDE Flue Pipe

Noncombustible Cement Board by others

Existing Noncombustible Wall as specified by owner

Metal Studs by others

7" I.D. Rigid Stainless Steel Relining Pipe by others MUST be capped

Flue Pipe to be FLUSH with Wall

Flue Pipe MUST be Securely Fastened

Soapstone Facing Covering Flue Connection by Mid-Atlantic

Foamglas Insulation by Mid-Atlantic

7" Damper by Mid-Atlantic



MID-ATLANTIC MASONRY HEAT
1229 Harris Street Suite 1
Charlottesville, VA 22903
(434)979-9709 Fax 434-979-6416

PROJECT CARROLL
MODEL TU2200/1

CONTRACT
DRAWN BY D.P. BYRAM

VIEW Wall Detail
DATE 6/16/03

PAGE

5