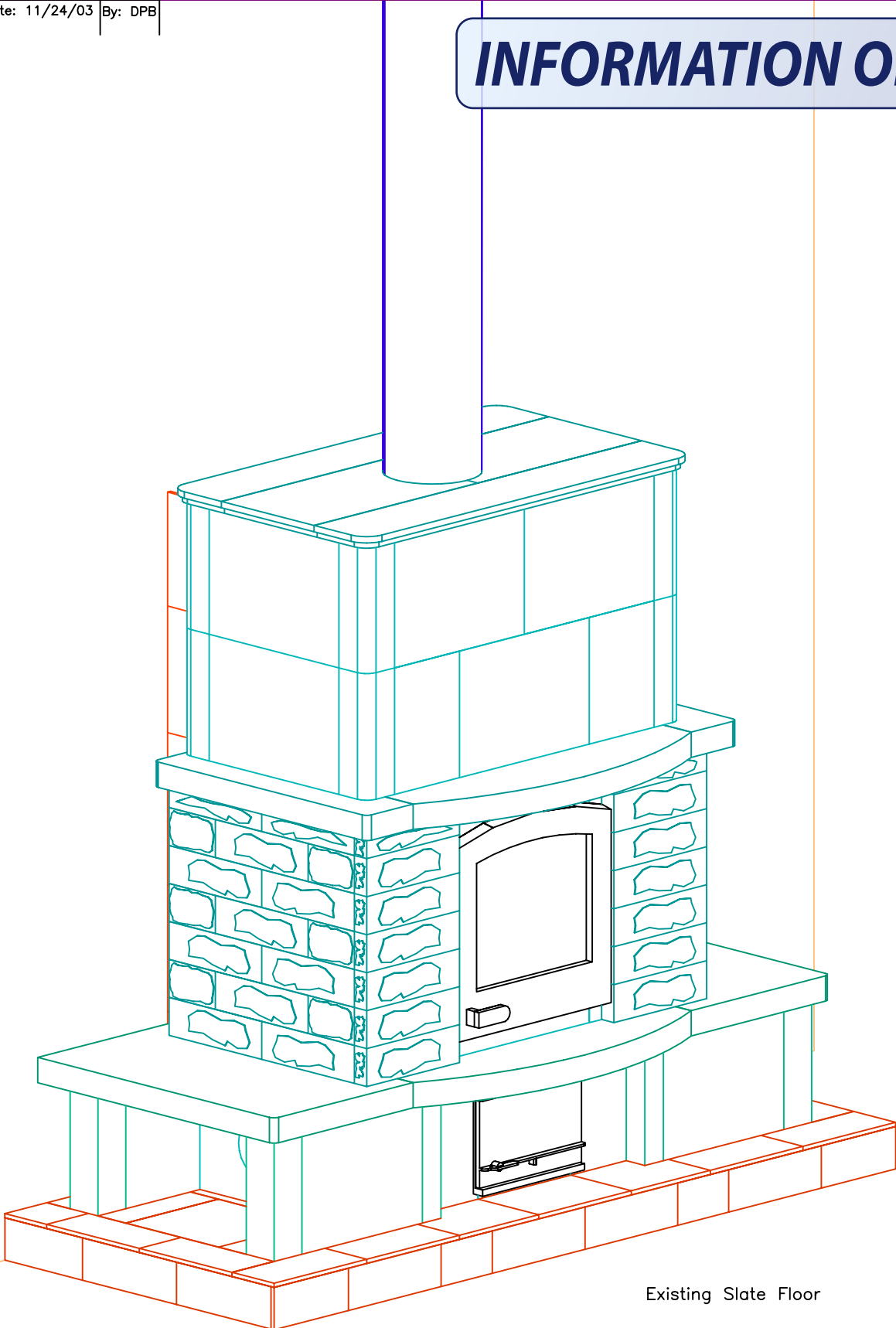



INFORMATION ONLY



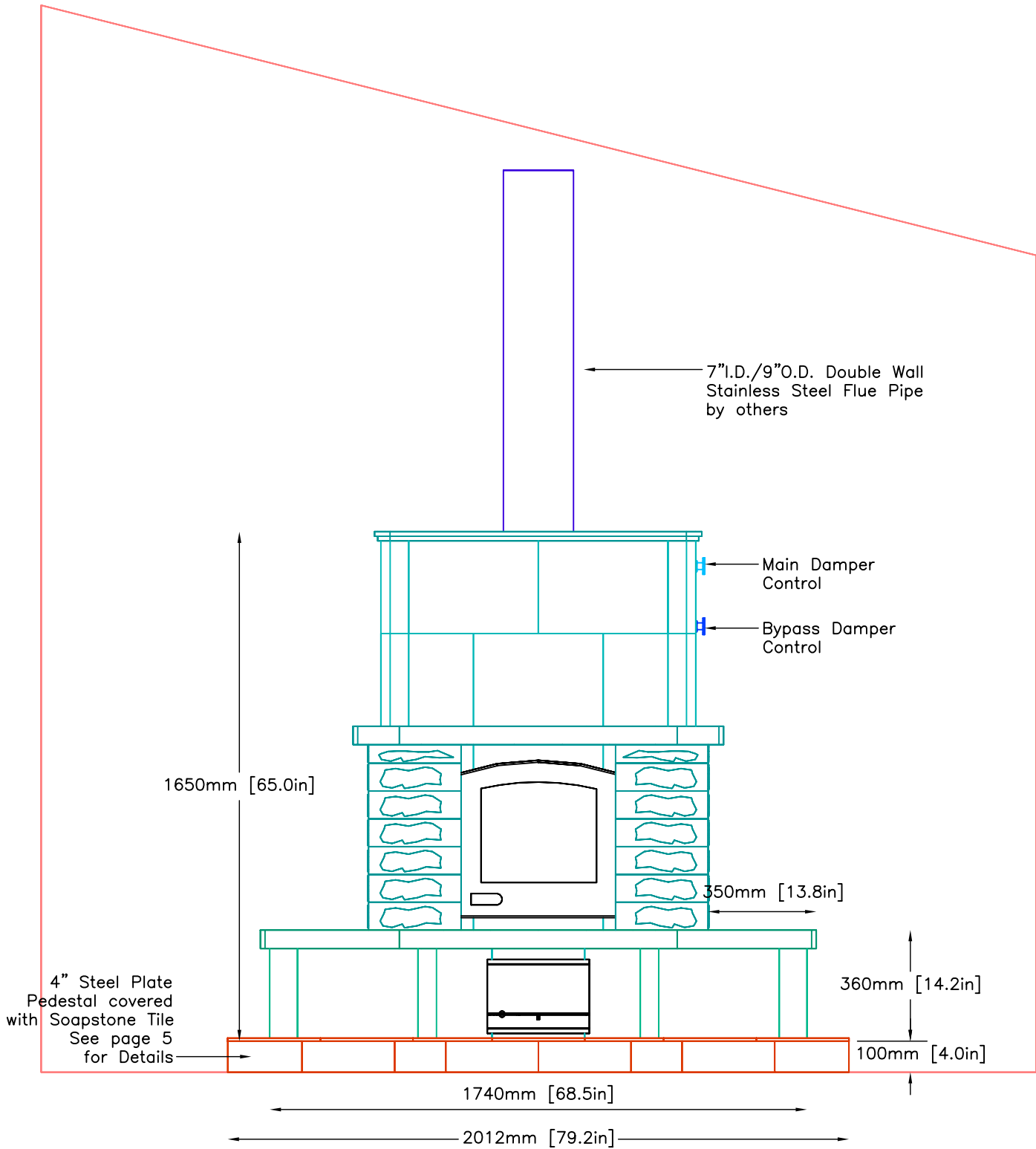
Existing Slate Floor

NOTE: Soapstone Tiles to cover Steel Plate Pedestal: CUT & INSTALLED by others.
 Required: MINIMUM 16" of Noncombustible Material in front of Firedoor.

| | | | | | | |
|---|--|-----------------------|--------------------|------------------|---------------------|-----------|
| TULIKIVI  | MID-ATLANTIC MASONRY HEAT 1229 Harris Street Suite 1 Charlottesville, VA 22903 (434)979-9709 Fax 434-979-6416 | | PROJECT DaCorta | CONTRACT 5480 | VIEW PERSPECTIVE | PAGE 1 |
| | MODEL TU2200 | DRAWN BY D.P.BYRAM | DATE 10/03/03 | | | |

INFORMATION ONLY

FRONT VIEW



NOTE: Soapstone Tiles to cover Steel Plate Pedestal: CUT & INSTALLED by others.
 Required: MINIMUM 16" of Noncombustible Material in front of Firedoor.



MID-ATLANTIC MASONRY HEAT
 1229 Harris Street Suite 1
 Charlottesville, VA 22903
 (434)979-9709 Fax 434-979-6416

PROJECT DaCorta
 MODEL TU2200

CONTRACT 5480
 DRAWN BY D.P.BYRAM

VIEW FRONT
 DATE 10/03/03

PAGE 2

INFORMATION ONLY

SIDE VIEW

7" I.D./9" O.D. Double Wall
Stainless Steel Flue Pipe
by others.

Existing 3/4" Slate
Facing

Existing Combustible
Wall

1650mm [65.0in]

75mm [3.0in] Heat Shield
by Mid-Atlantic

4" Steel Plate
Pedestal covered
with Soapstone Tile
See page 5
for Details

90mm [3.5in] Air Intake
MUST be kept open

Existing Slate Floor

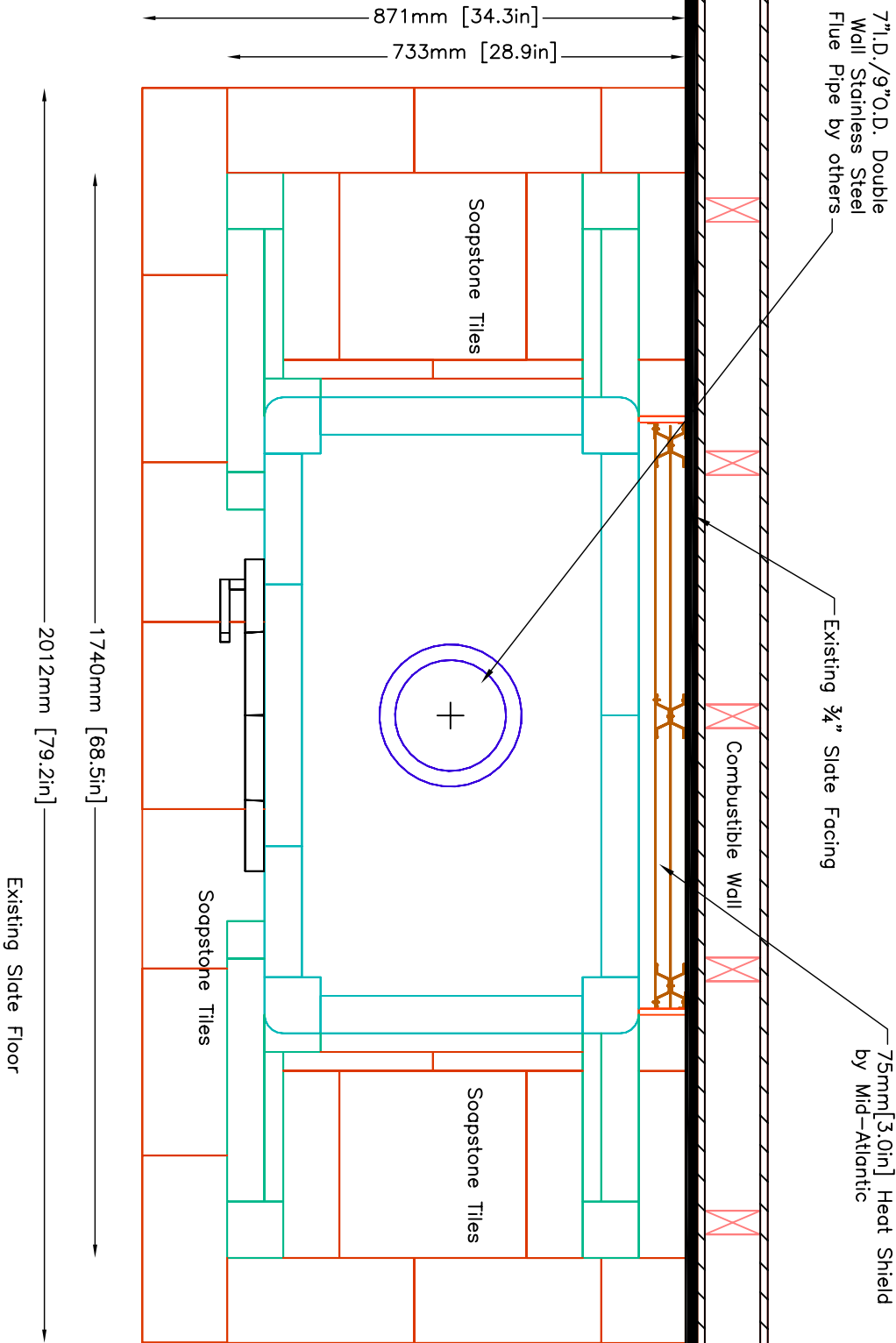
660mm [26.0in]

871mm [34.3in]

NOTE: Soapstone Tiles to cover Steel Plate Pedestal: CUT & INSTALLED by others.
Required: MINIMUM 16" of Noncombustible Material in front of Firedoor.

PLAN VIEW

INFORMATION ONLY



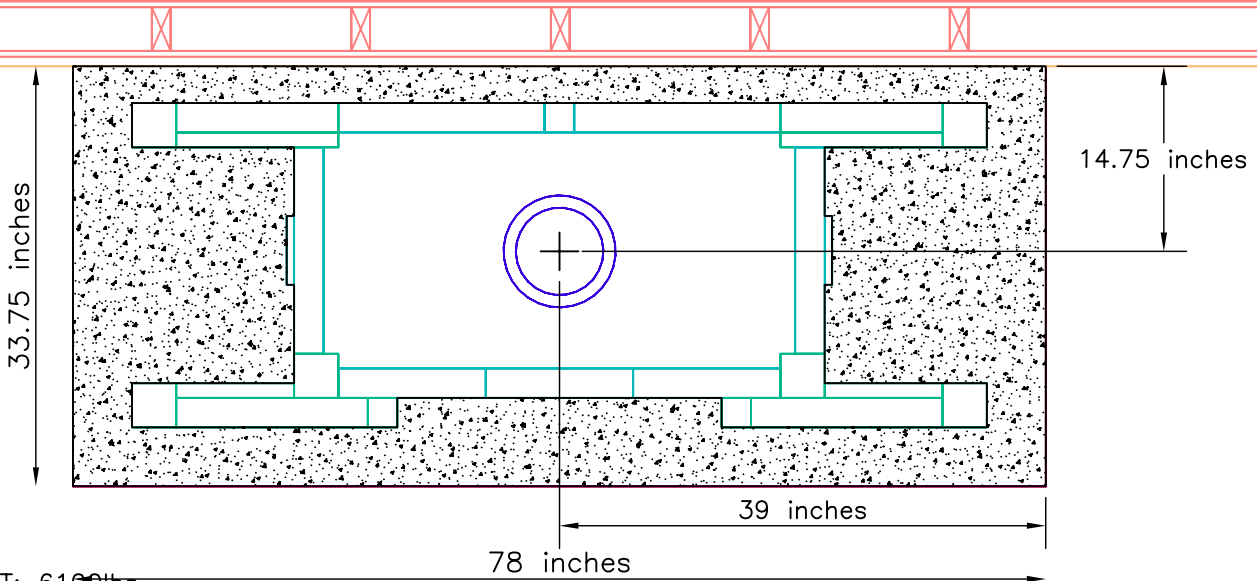
Soapstone Tiles to cover Steel Plate Pedestal: CUT & INSTALLED by others.
 Required: MINIMUM 16" of Noncombustible Material in front of Firedoor.

Revision: 1 Date: 11/24/03 By: DFB

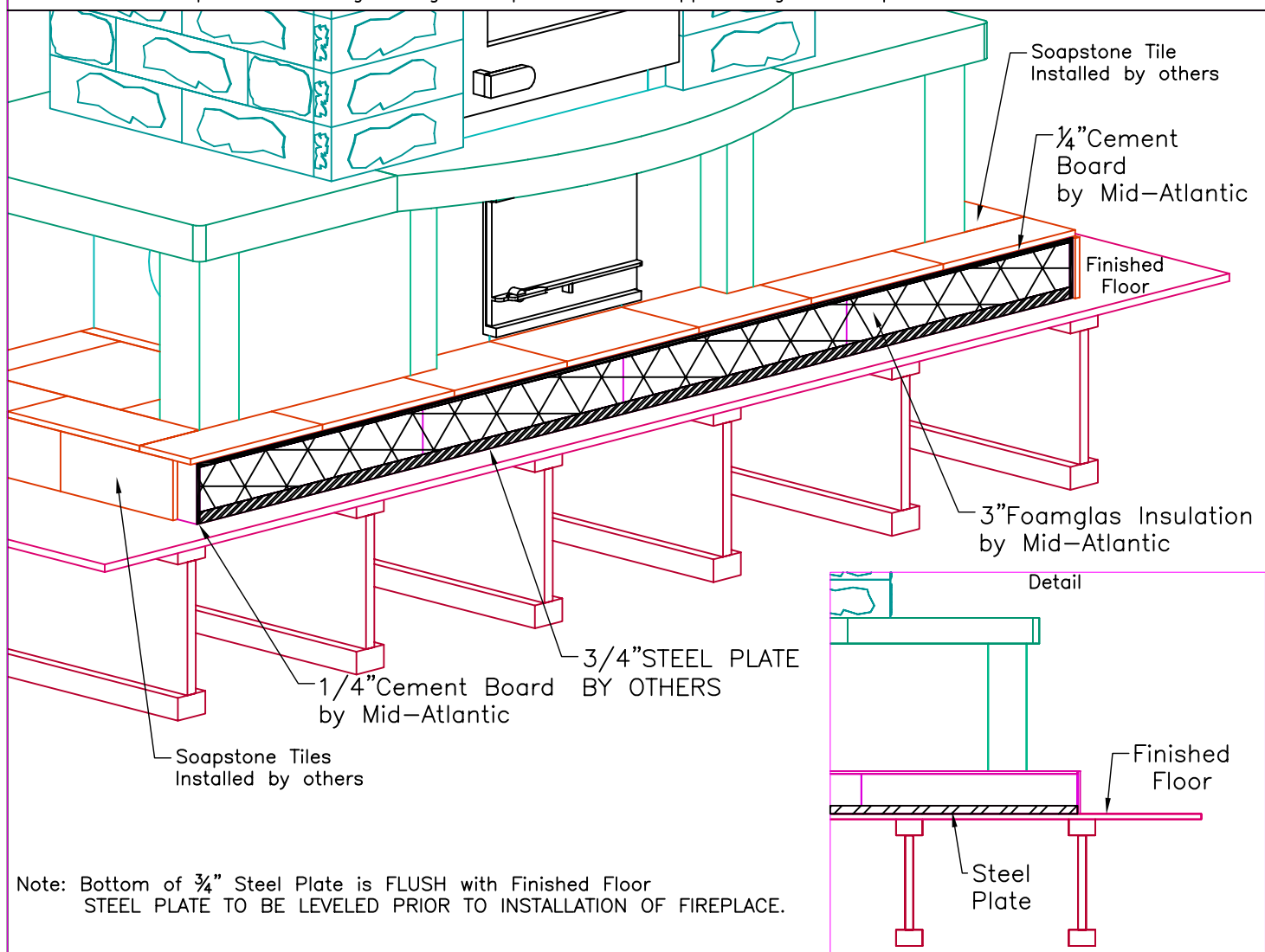
INFORMATION ONLY

3/4" STEEL PLATE - BY OTHERS

FLUE LOCATION:
FROM UPPER RIGHT CORNER OF STEEL PLATE:
18 3/4" X 39" TO CENTER OF FLUE PIPE.



UNIT WEIGHT: 6100lbs.
Contractor is responsible for engineering steel plate slab to support weight of fireplace.



Note: Bottom of 3/4" Steel Plate is FLUSH with Finished Floor
STEEL PLATE TO BE LEVELLED PRIOR TO INSTALLATION OF FIREPLACE.