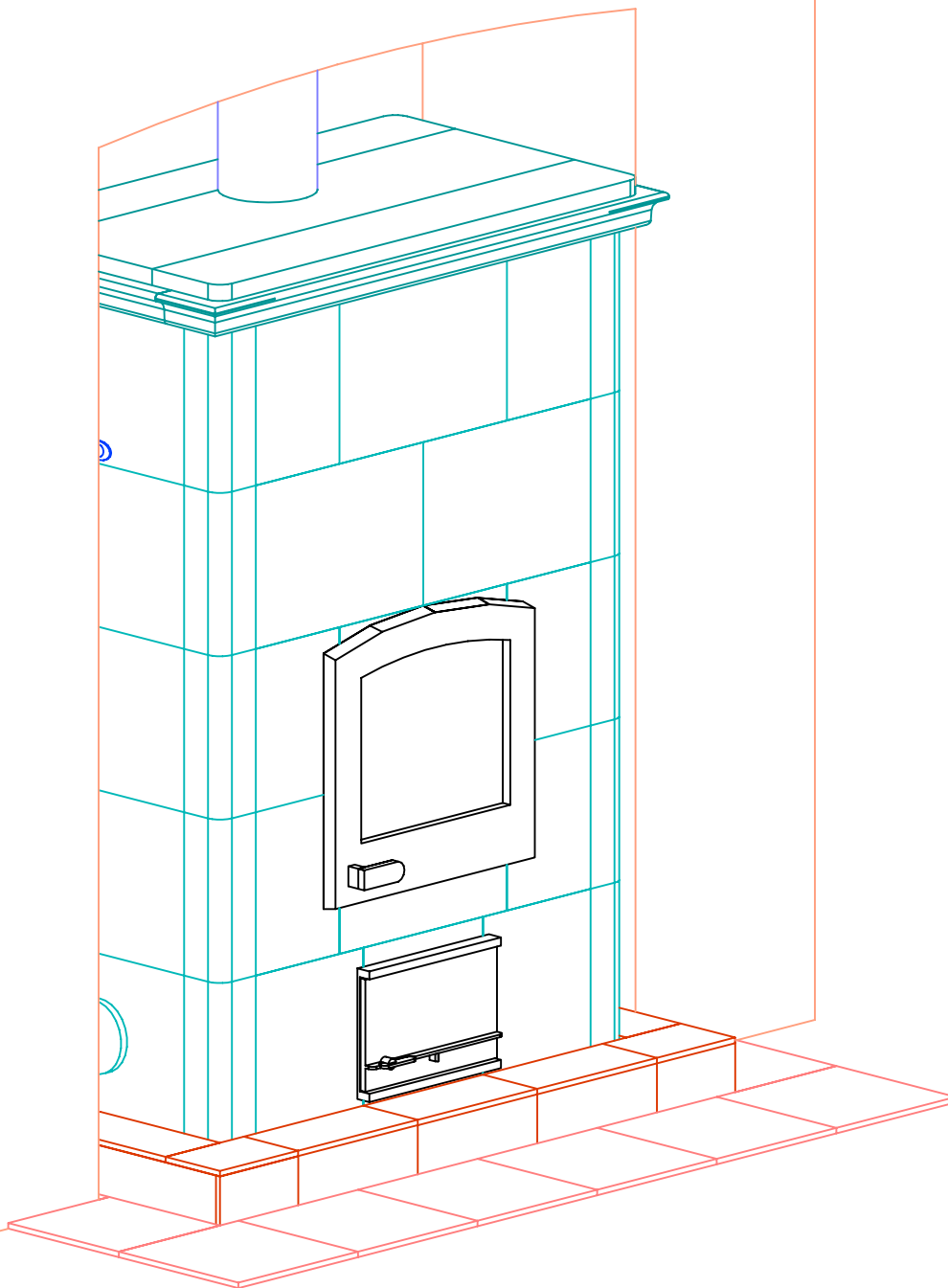


INFORMATION ONLY



NOTE: Hearth Tiles CUT AND INSTALLED by others



MID-ATLANTIC MASONRY HEAT
1229 Harris Street Suite 1
Charlottesville, VA 22903
(434)979-9709 Fax 434-979-6416

PROJECT
DODSON
MODEL
TU2200

CONTRACT
5607
DRAWN BY
D.P.BYRAM

VIEW
PERSPECTIVE
DATE
12/12/03

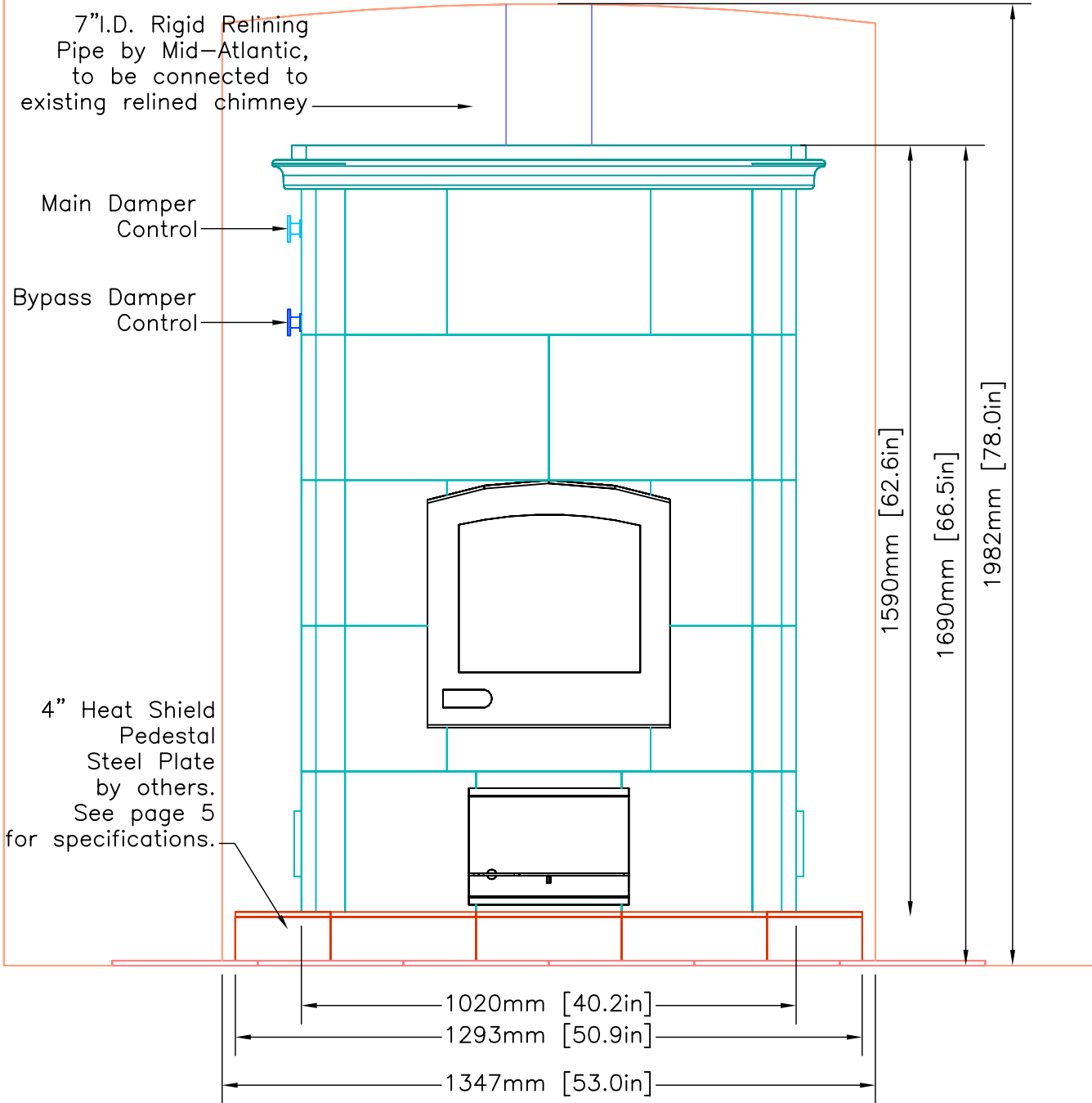
PAGE
1

FRONT VIEW

Note: Final chimney specifications will be determined after relining of current flue system has been established by owner

INFORMATION ONLY

Existing Masonry Area as specified by owner



NOTE: Hearth Tiles CUT AND INSTALLED by others



MID-ATLANTIC MASONRY HEAT
 1229 Harris Street Suite 1
 Charlottesville, VA 22903
 (434)979-9709 Fax 434-979-6416

PROJECT DODSON
 MODEL TU2200

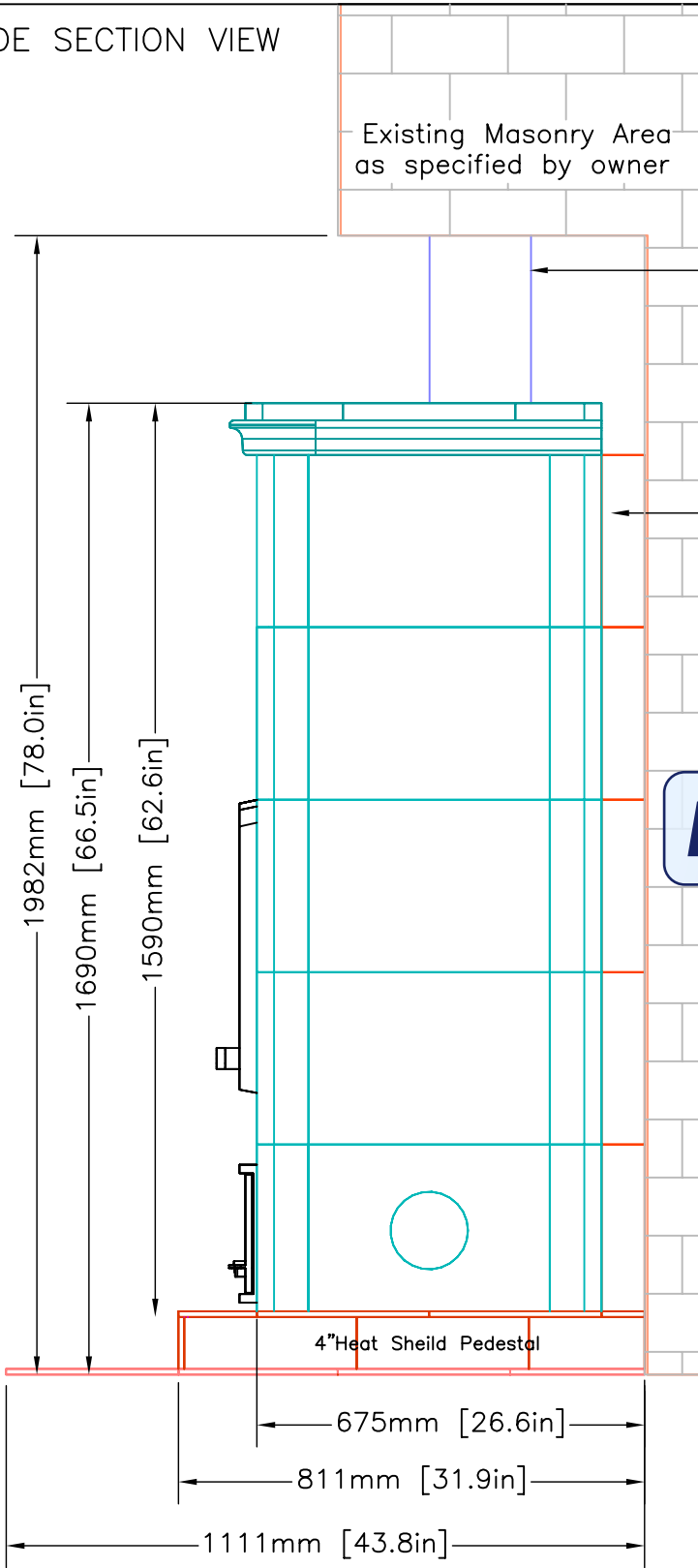
CONTRACT 5607
 DRAWN BY D.P.BYRAM

VIEW FRONT
 DATE 12/12/03

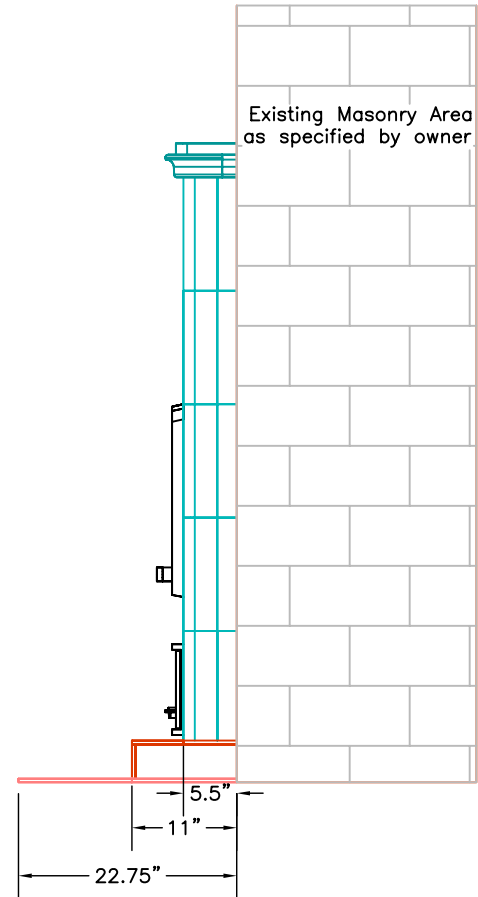
PAGE 2

SIDE SECTION VIEW

Note: Final chimney specifications will be determined after relining of current flue system has been established by owner



INFORMATION ONLY



4" Heat Shield Pedestal:
Steel Plate by others
See page 5 for specifications

NOTE: Hearth Tiles CUT AND INSTALLED by others



MID-ATLANTIC MASONRY HEAT
1229 Harris Street Suite 1
Charlottesville, VA 22903
(434)979-9709 Fax 434-979-6416

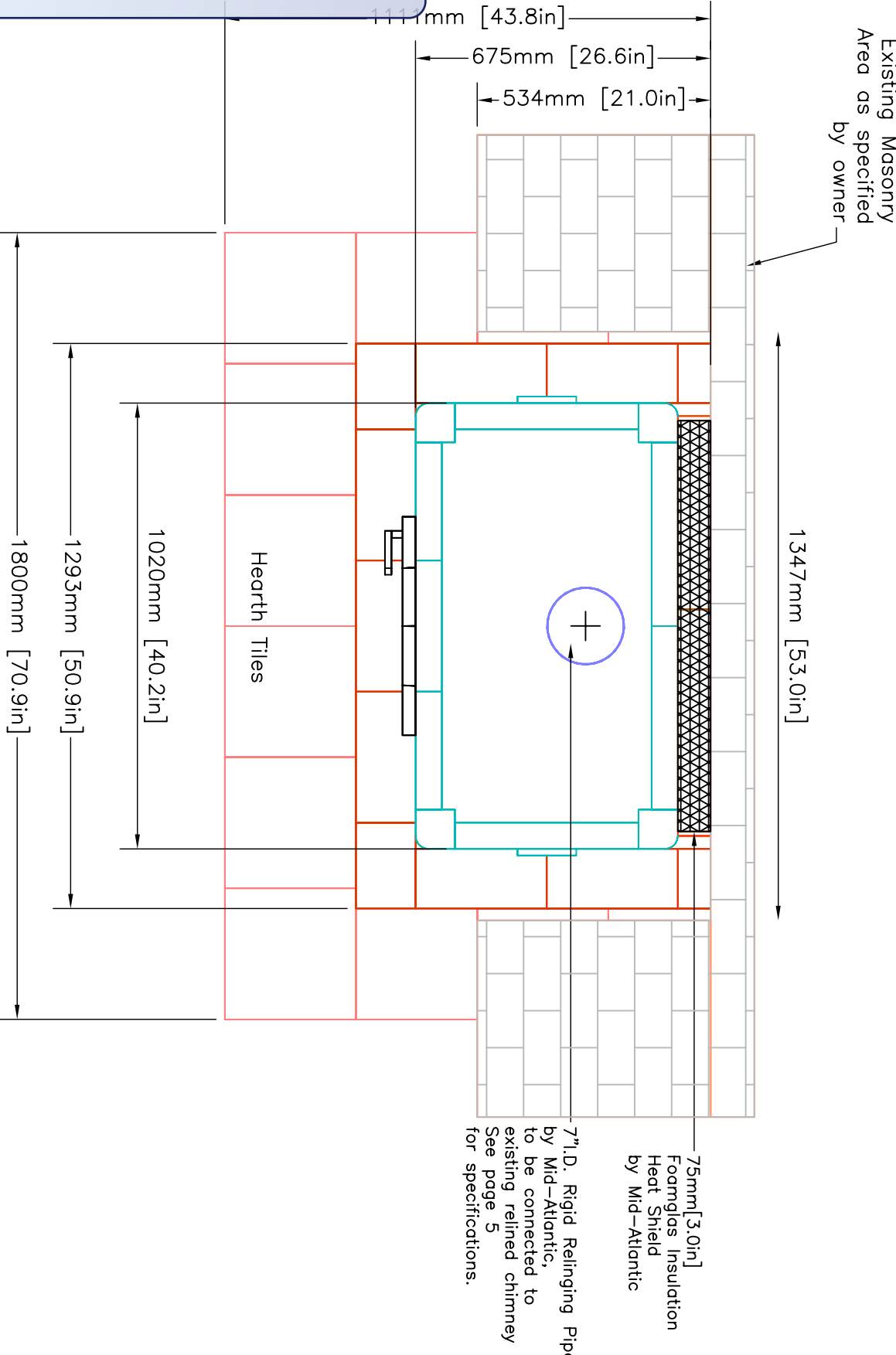
PROJECT DODSON
MODEL TU2200

CONTRACT 5607
DRAWN BY D.P.BYRAM

VIEW SIDE
DATE 12/12/03

PAGE 3

Note: Final chimney specifications will be determined after relining of current flue system has been established by owner



INFORMATION ONLY

Hearth Tiles CUT AND INSTALLED by others

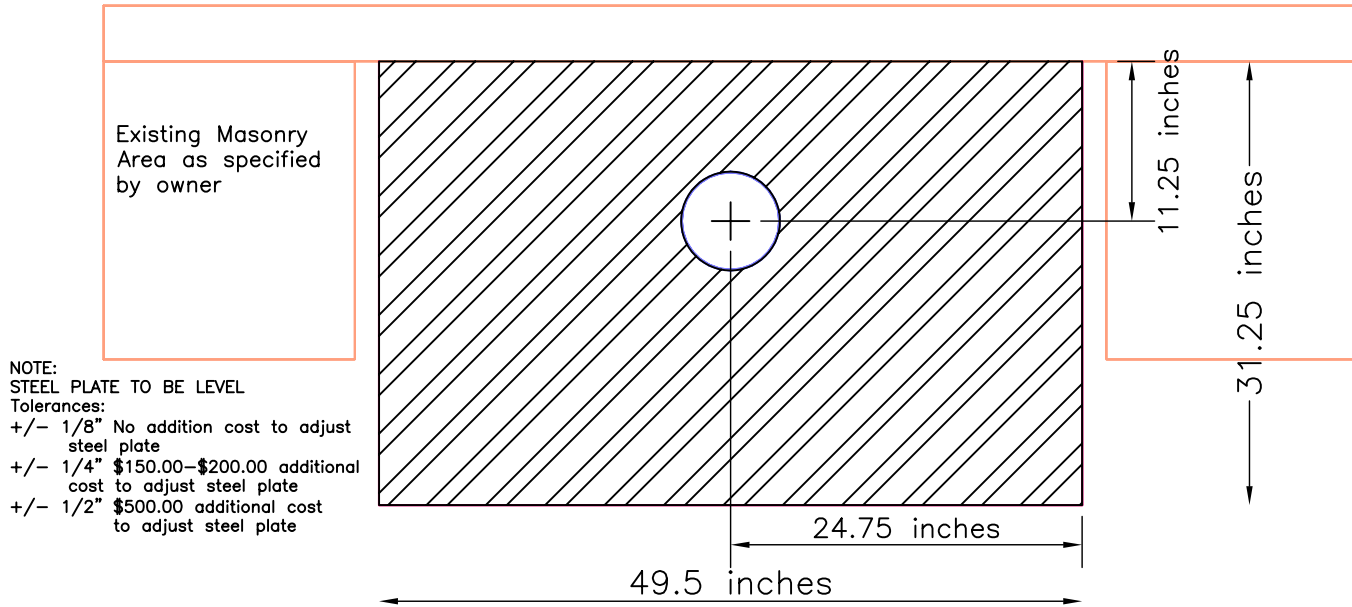
FLUE LOCATION:
Flue location can be moved up to 10" left or right and 6" to the front. Mid-Atlantic MUST be contacted for revised drawings if flue needs to be moved.

HEAT SHIELD PEDESTAL: SPECIFICATIONS

3/4" STEEL PLATE—BY OTHERS

FLUE LOCATION:

From Upper Right Corner of Steel Plate:
11 1/4" x 24 3/4" to CENTER of Flue Pipe.



NOTE:
STEEL PLATE TO BE LEVEL
Tolerances:
+/- 1/8" No addition cost to adjust steel plate
+/- 1/4" \$150.00-\$200.00 additional cost to adjust steel plate
+/- 1/2" \$500.00 additional cost to adjust steel plate

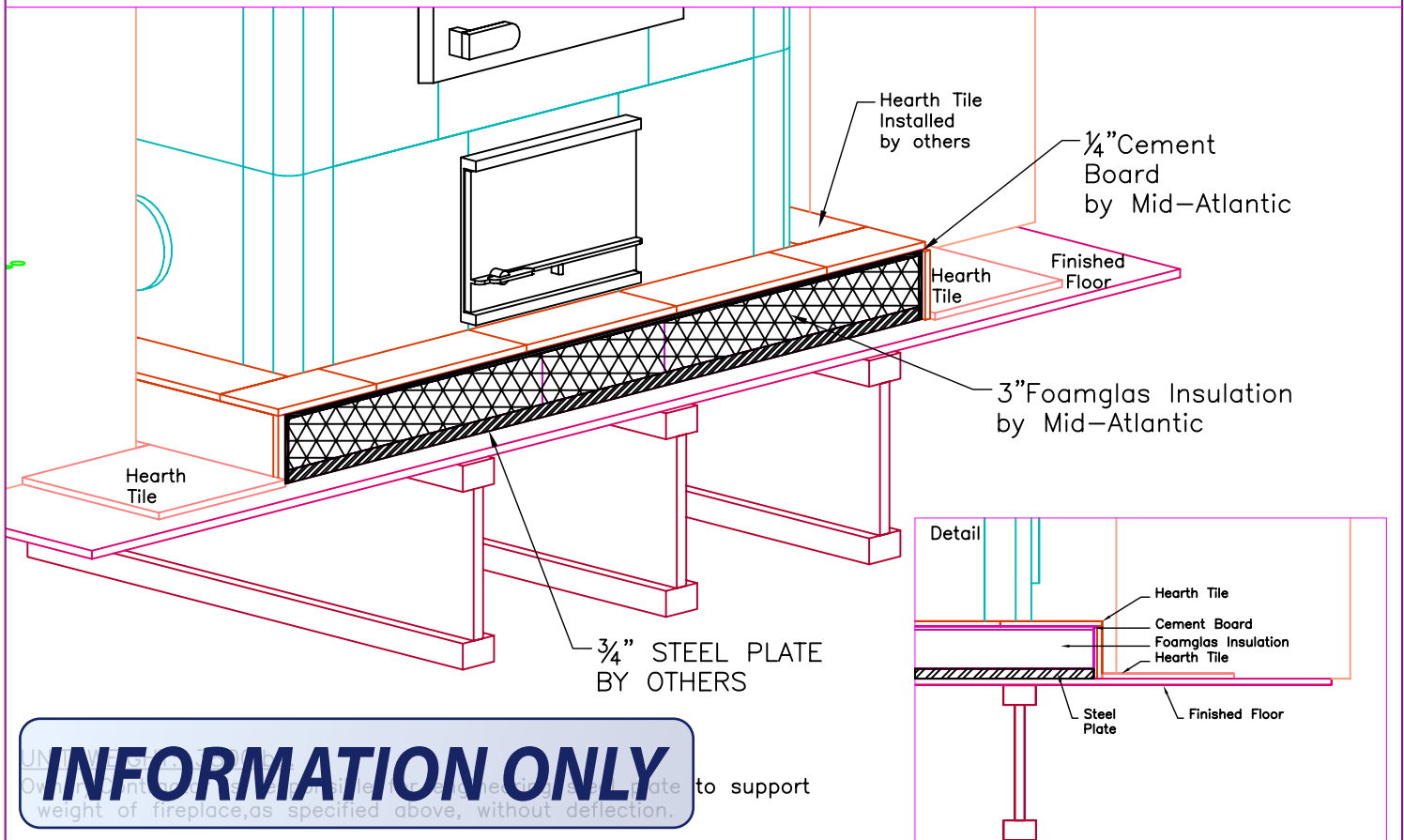
Note: Bottom of 3/4" Steel Plate can rest on sub-floor but MUST be Level.

FLUE LOCATION:

Flue location can be moved up to 10" left or right and 6" to the front. Mid-Atlantic MUST be contacted for revised drawings if flue needs to be moved.

UNIT WEIGHT: 3800lbs.

Owner/Contractor is responsible for engineering steel plate to support weight of fireplace, as specified above, without deflection.



INFORMATION ONLY



MID-ATLANTIC MASONRY HEAT
1229 Harris Street Suite 1
Charlottesville, VA 22903
(434)979-9709 Fax 434-979-6416

PROJECT DODSON
MODEL TU2200

CONTRACT 5607
DRAWN BY D.P.BYRAM

VIEW SUPPORT
DATE 12/12/03

PAGE 5