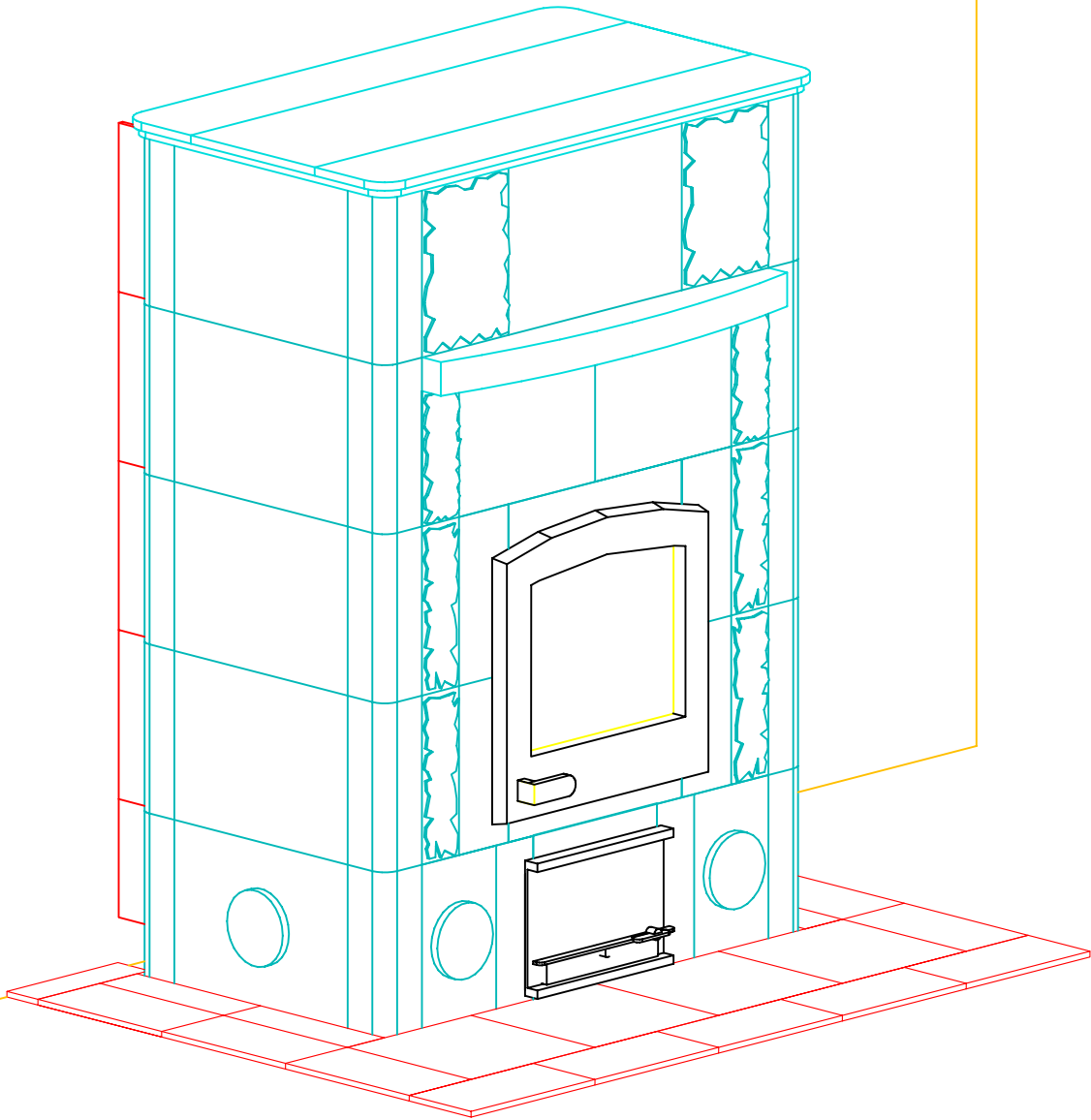


Revision: 1	Date: 5/14/02	By: DP
Revision: 2	Date: 9/18/02	By: DP

INFORMATION ONLY



NOTE: HEARTH TILES CUT AND INSTALLED BY OTHERS



MID-ATLANTIC MASONRY HEAT
 McIntire Business Park
 Charlottesville, VA 22903
 (434)979-9709 Fax 434-979-6416

PROJECT
 Eckhart-Dirks
 MODEL
 TU2200

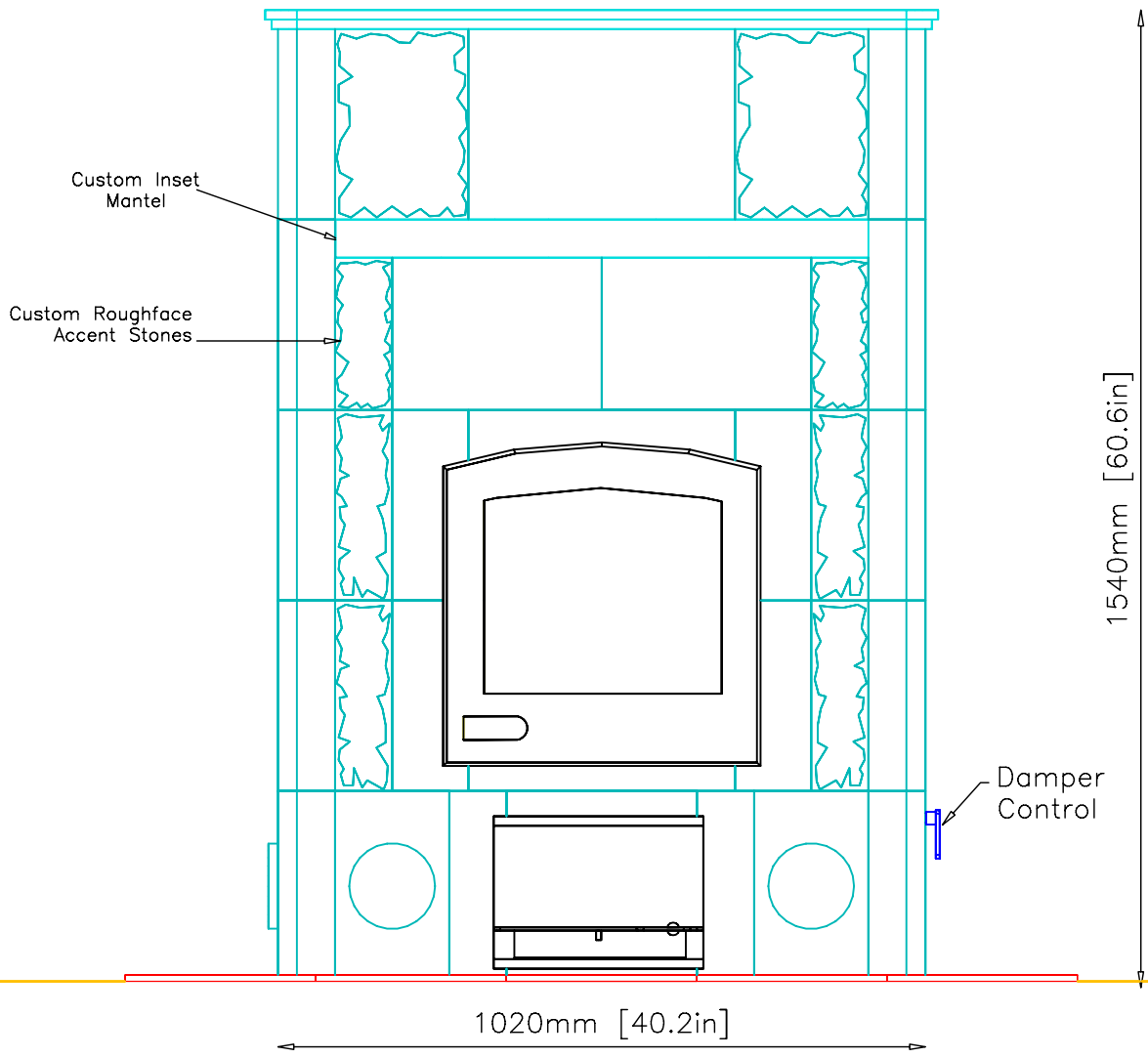
CONTRACT
 46
 DRAWN BY
 D.POWLEY

VIEW
 ISOMETRIC
 DATE
 8/6/01

PAGE
 1

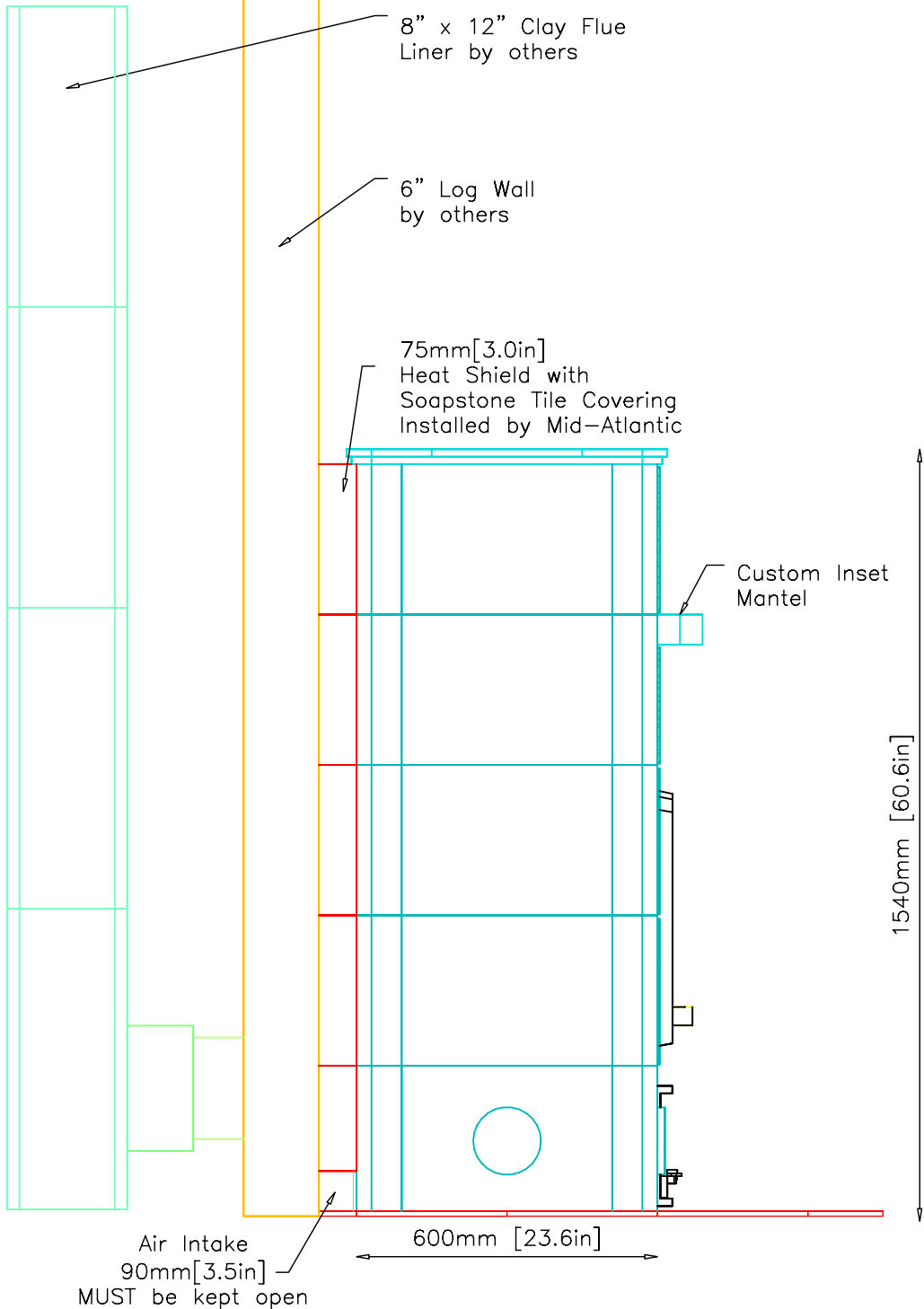
Revision: 1	Date: 5/14/02	By: DP
Revision: 2	Date: 9/18/02	By: DP

INFORMATION ONLY



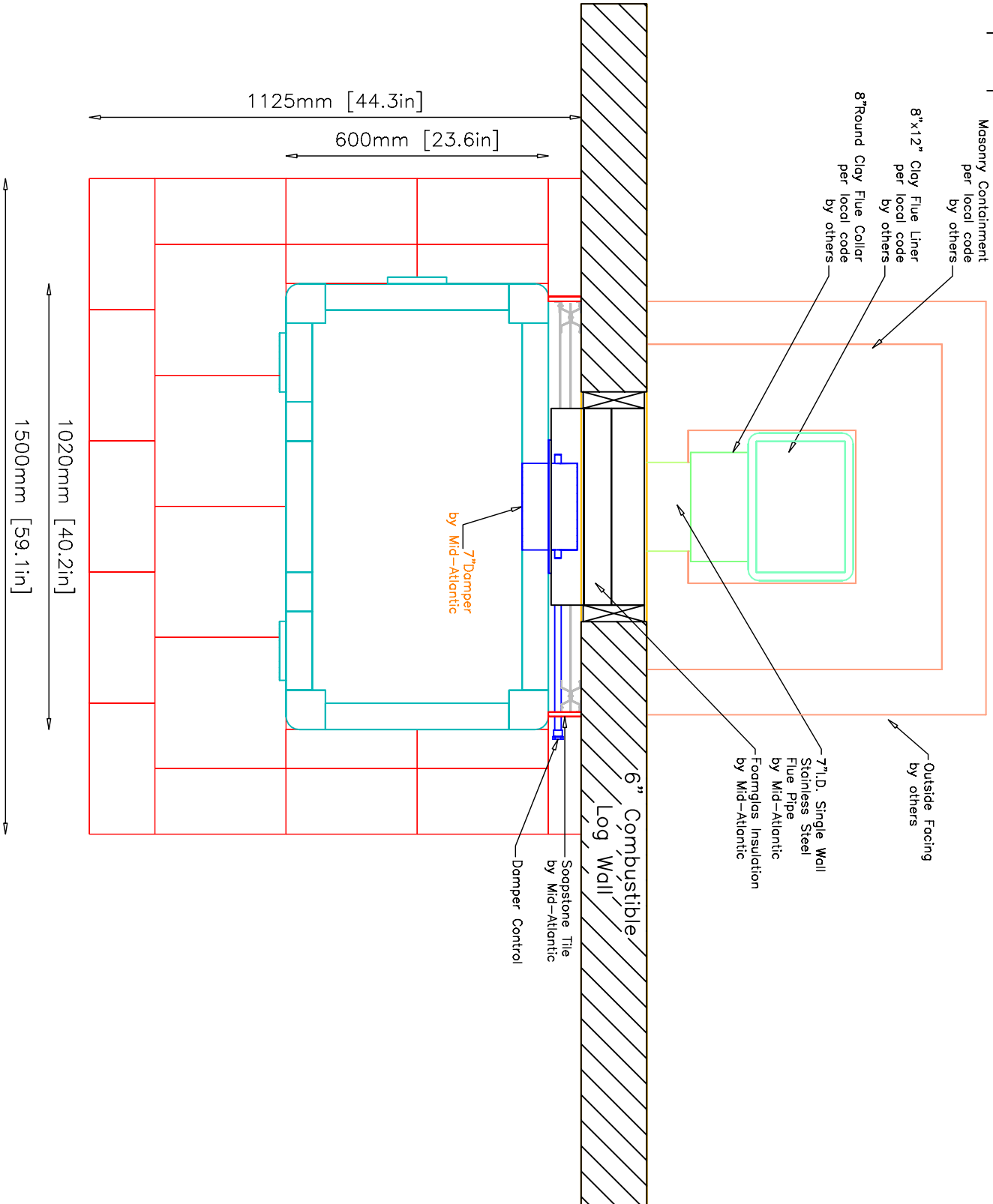
Revision: 1	Date: 5/14/02	By: DP
Revision: 2	Date: 9/18/02	By: DP

INFORMATION ONLY



INFORMATION ONLY

Revision: 1	Date: 5/14/02	By: DP
Revision: 2	Date: 9/18/02	By: DP



NOTE: HEARTH TILES CUT AND INSTALLED BY OTHERS

Revision: 1	Date: 5/14/02	By: DP
Revision: 2	Date: 9/18/02	By: DP

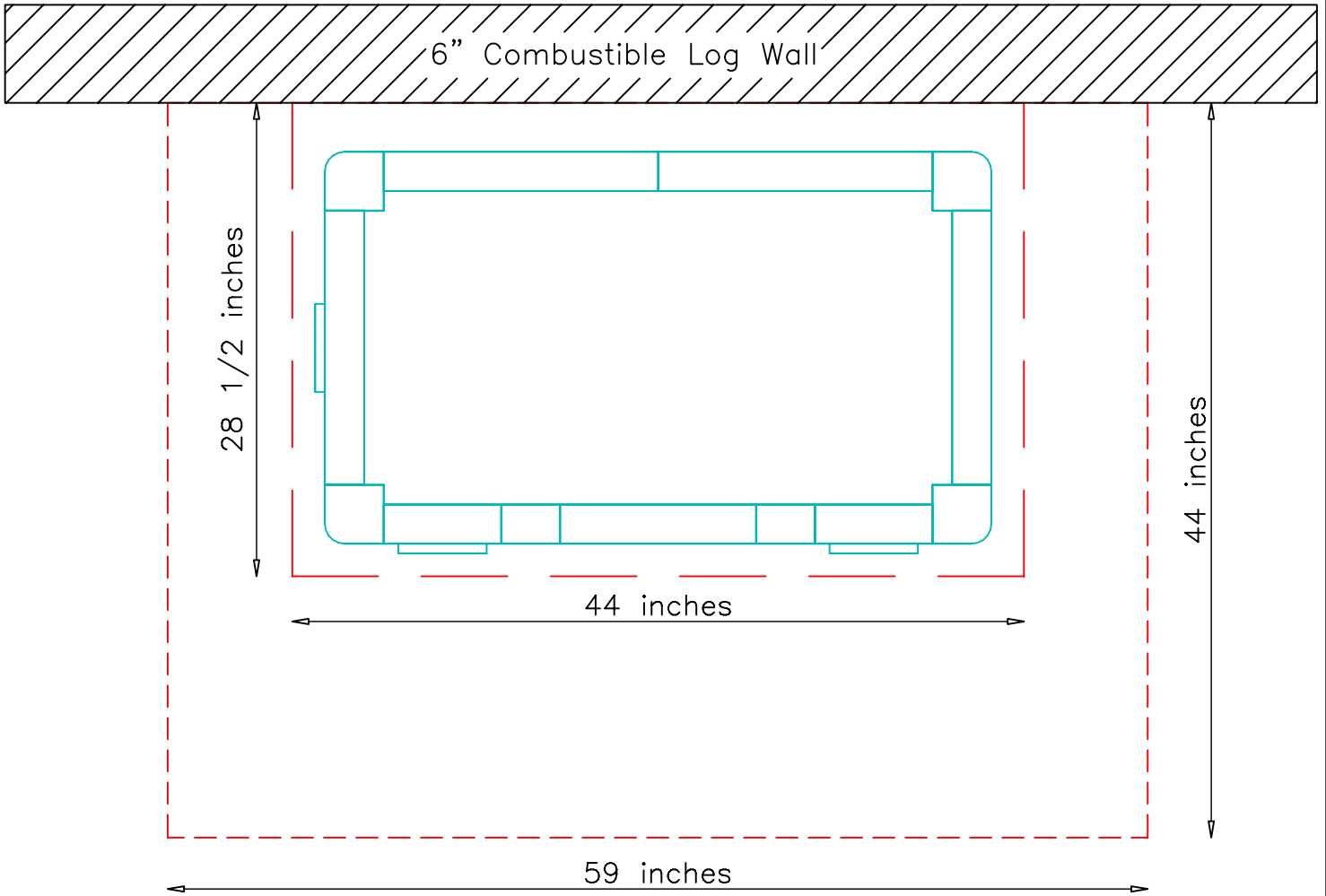
CAPPING SLAB

Recommended Dimensions:

Entire Hearth Area— 44" x 59"

Minimum Dimensions:

2" From Base of Unit— 28.5" x 44"



NOTE:
 TOP OF CAPPING SLAB TO BE LEVEL AND FLUSH WITH SUB-FLOOR
 Tolerances: +/- 1/8" No addition cost to adjust slab
 +/- 1/4" \$150.00-\$200.00 additional cost to adjust slab
 +/- 1/2" \$500.00 additional cost to adjust slab

INFORMATION ONLY

UNIT WEIGHT: Approx 6000lbs.
 Contractor is responsible for engineering capping slab to support weight of fireplace.



MID-ATLANTIC MASONRY HEAT
 McIntire Business Park
 Charlottesville, VA 22903
 (434)979-9709 Fax 434-979-6416

PROJECT
 Eckhart-Dirks
 MODEL
 TU2200

CONTRACT
 46
 DRAWN BY
 D.POWLEY

VIEW
 SUPPORT
 DATE
 8/6/01

PAGE
 5