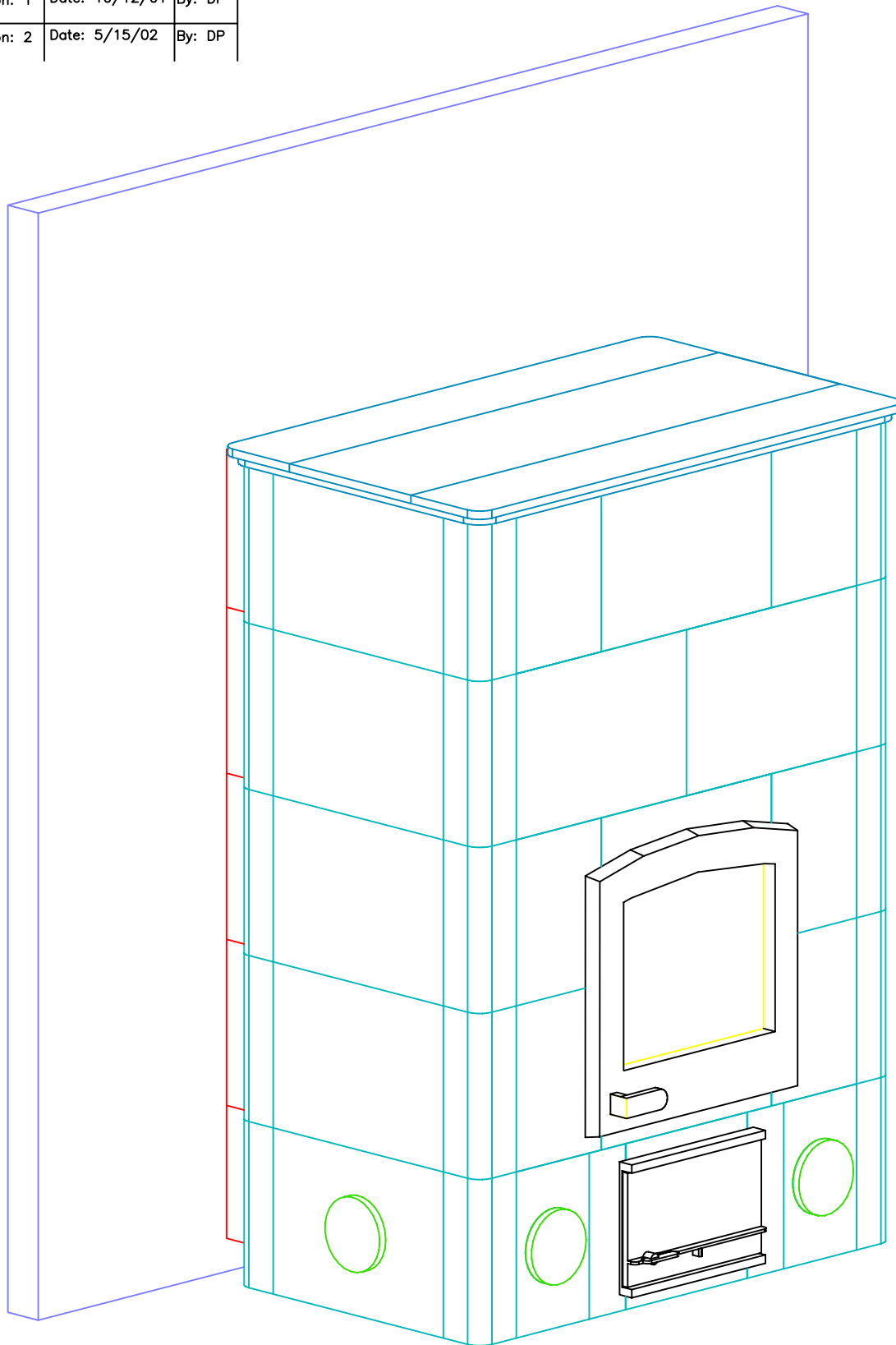



Revision: 1	Date: 10/12/01	By: DP
Revision: 2	Date: 5/15/02	By: DP

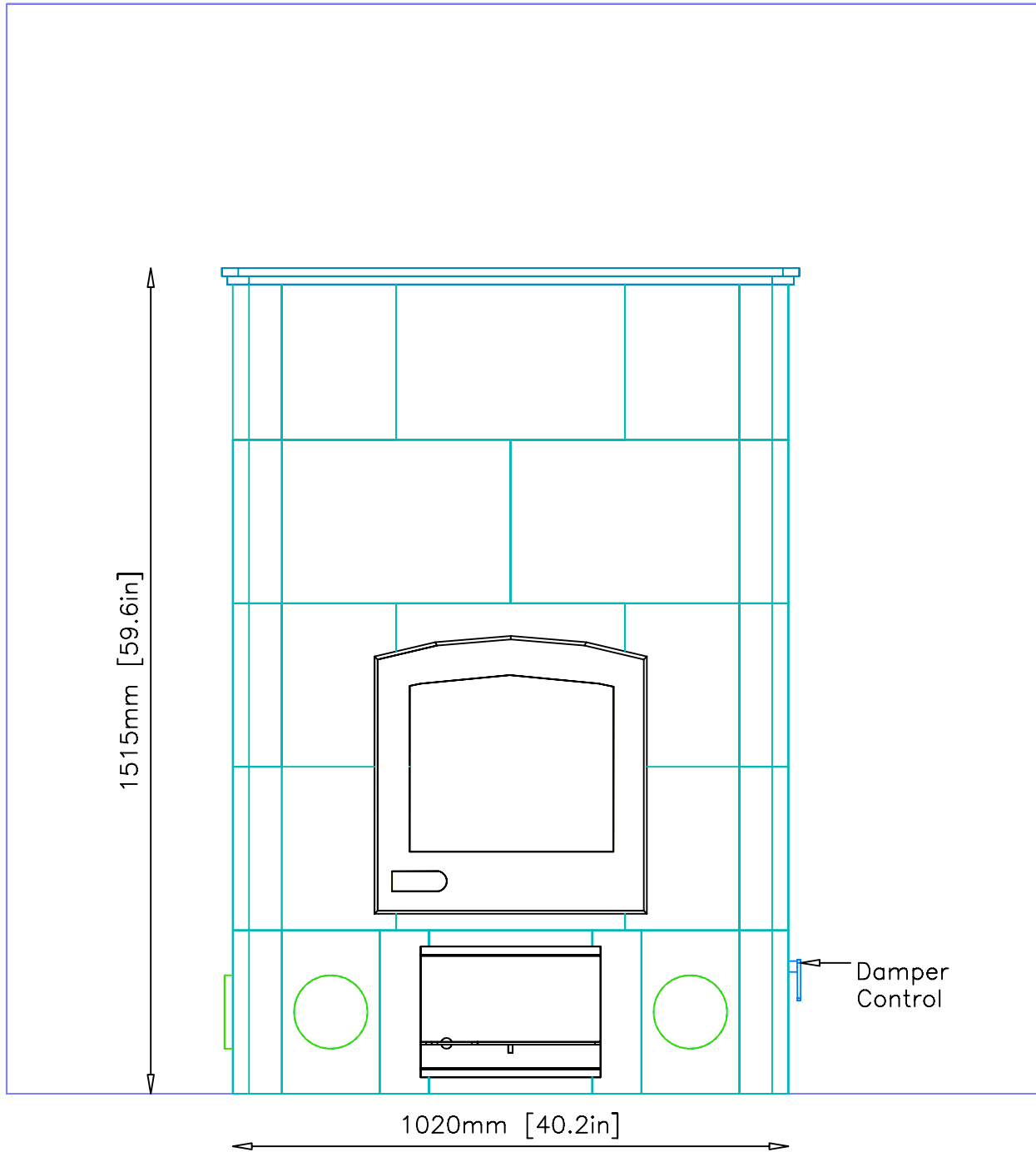


INFORMATION ONLY

TULIKIVI 	MID-ATLANTIC MASONRY HEAT McIntire Business Park Charlottesville, VA 22903 (434)979-9709 Fax 434-979-6416	PROJECT	ILSLEY	CONTRACT	5120	VIEW	ISOMETRIC	PAGE 1
		MODEL	TU2200	DRAWN BY	D.POWLEY	DATE	10/5/01	

Revision: 1 Date: 10/12/01 By: DP

Revision: 2 Date: 5/15/02 By: DP



INFORMATION ONLY



MID-ATLANTIC MASONRY HEAT
McIntire Business Park
Charlottesville, VA 22903
(434)979-9709 Fax 434-979-6416

PROJECT ILSLEY
MODEL TU2200

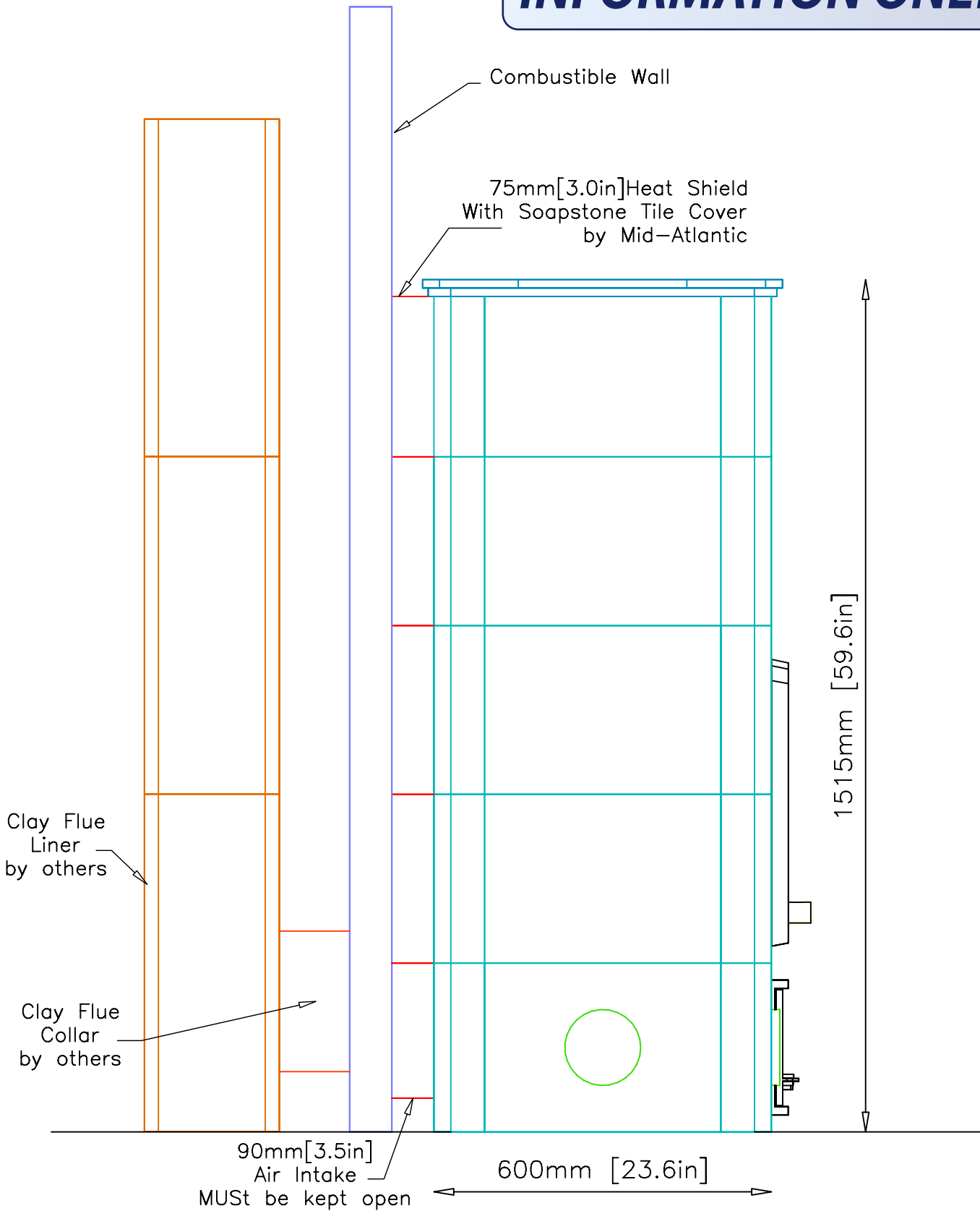
CONTRACT 5120
DRAWN BY D.POWLEY

VIEW ISOMETRIC
DATE 10/5/01

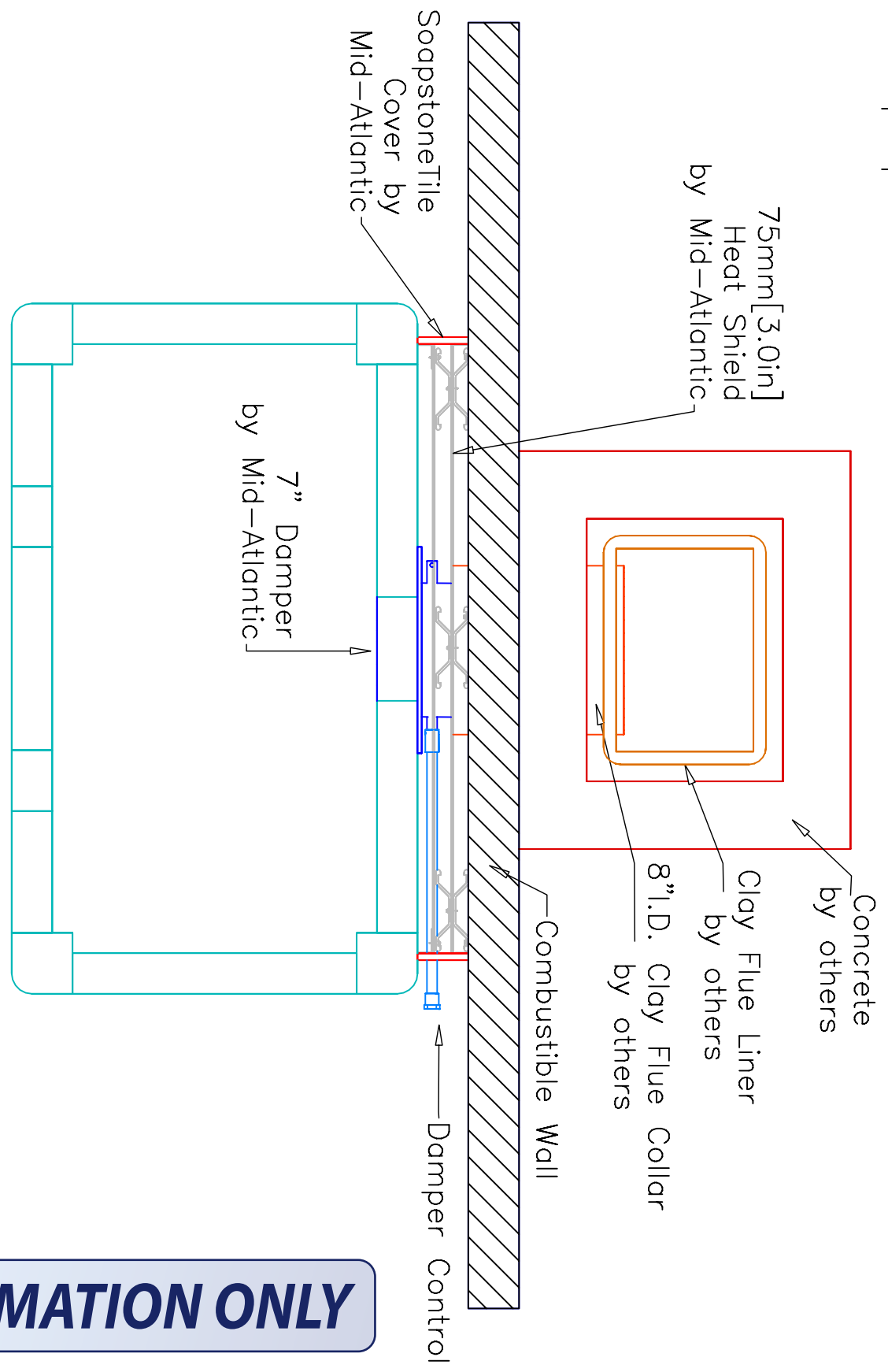
PAGE 2

Revision: 1	Date: 10/12/01	By: DP
Revision: 2	Date: 5/15/02	By: DP

INFORMATION ONLY



Revision: 1	Date: 10/12/01	By: DP
Revision: 2	Date: 5/15/02	By: DP



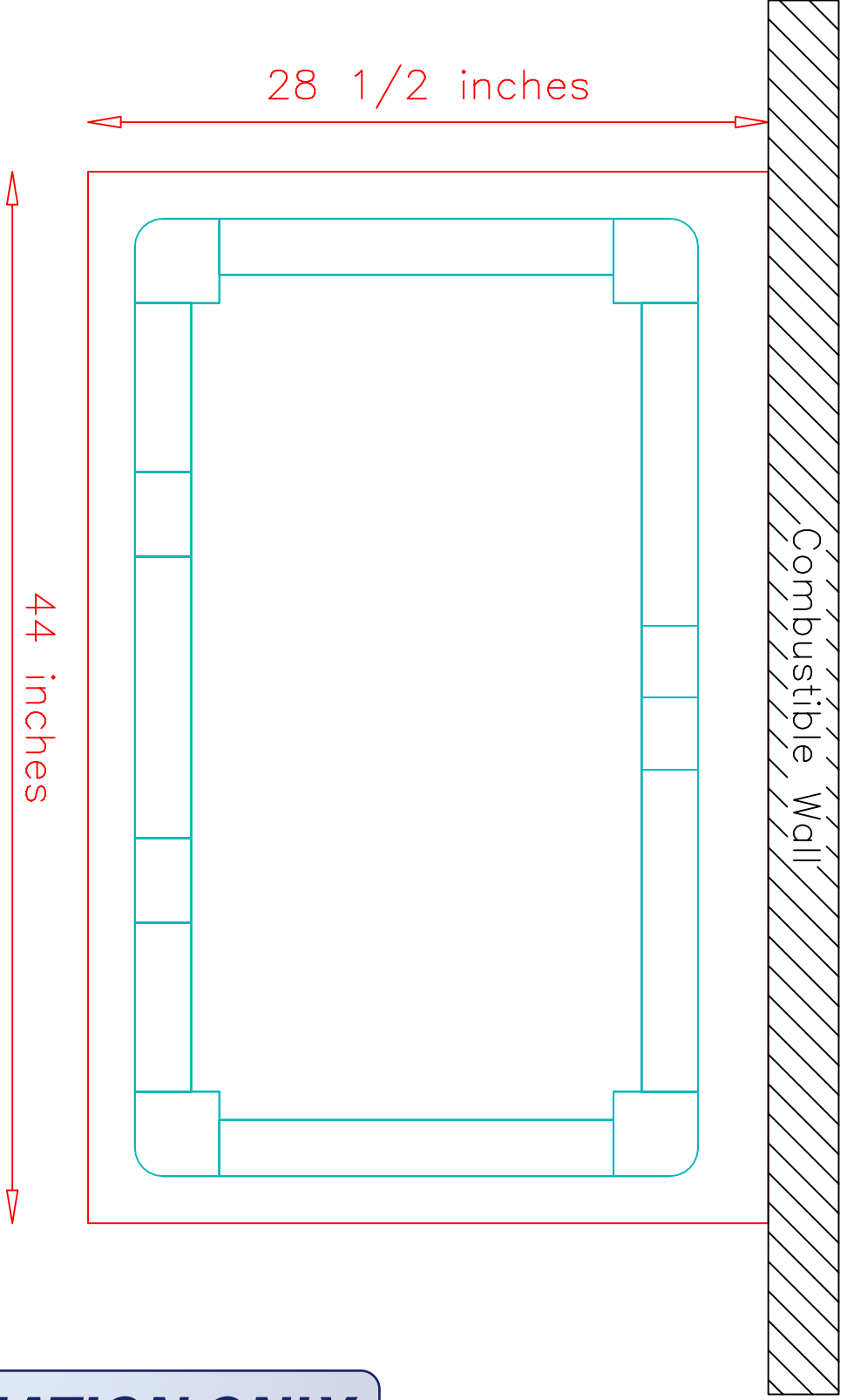
NOTE: SEE PAGE 8 FOR PLACEMENT OF DAMPER IN WALL

INFORMATION ONLY

Revision: 1	Date: 10/12/01	By: DP
Revision: 2	Date: 5/15/02	By: DP

CAPPING SLAB

DIMENSIONS: 28 1/2" X 44"



NOTE:
 TOP OF CAPPING SLAB TO BE LEVEL AND FLUSH WITH SUB-FLOOR
 Tolerances: +/- 1/8" No additional cost to adjust slab
 +/- 1/4" \$150.00-\$200.00 additional cost to adjust slab
 +/- 1/2" \$500.00 additional cost to adjust slab

UNIT WEIGHT: Approx. 4500lbs.
 Contractor is responsible for engineering capping slab to support weight of fireplace.

INFORMATION ONLY