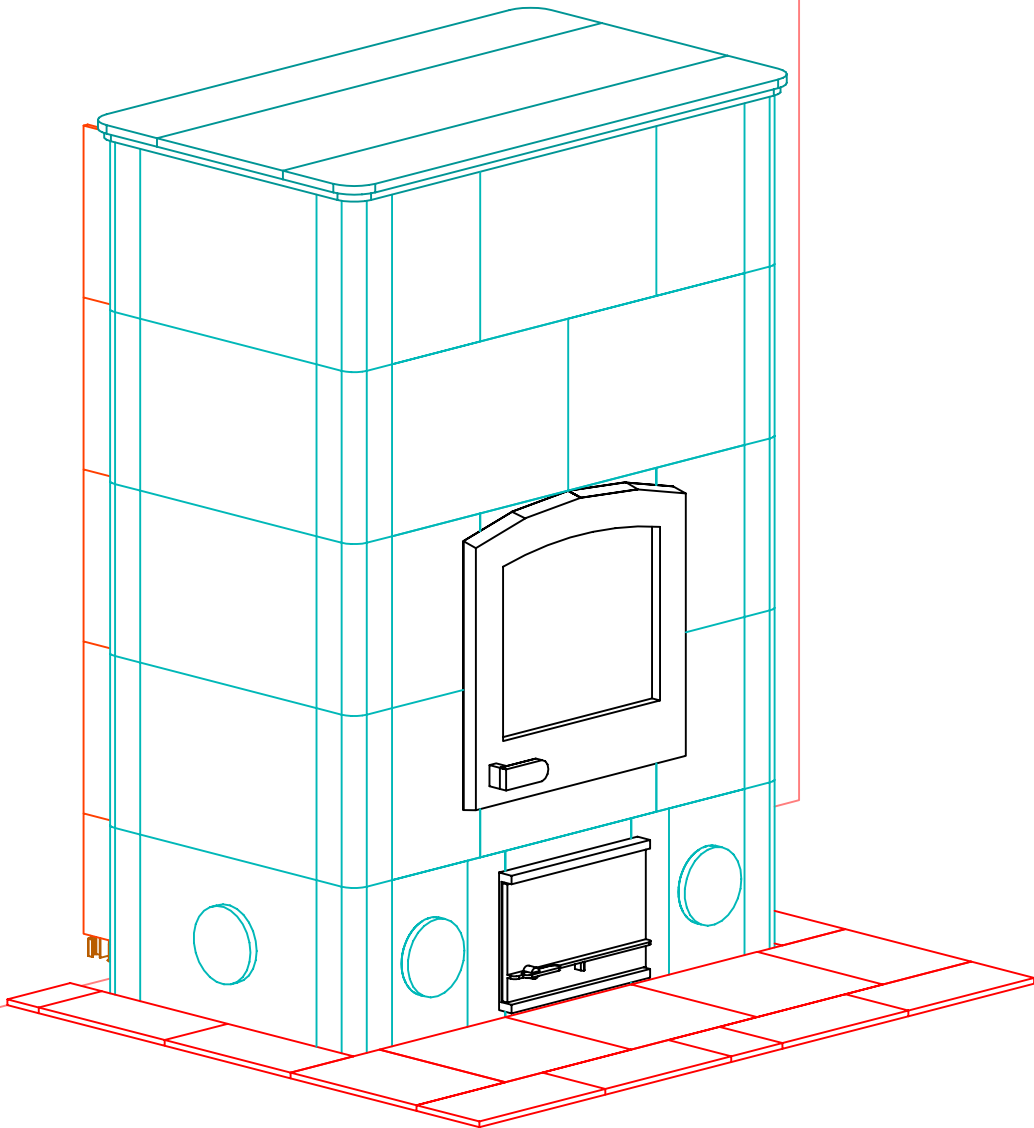


INFORMATION ONLY



NOTE: Hearth Tiles CUT AND INSTALLED by others



MID-ATLANTIC MASONRY HEAT
 1229 Harris Street Suite 1
 Charlottesville, VA 22903
 (434)979-9709 Fax 434-979-6416

PROJECT Jones
 MODEL TU2200

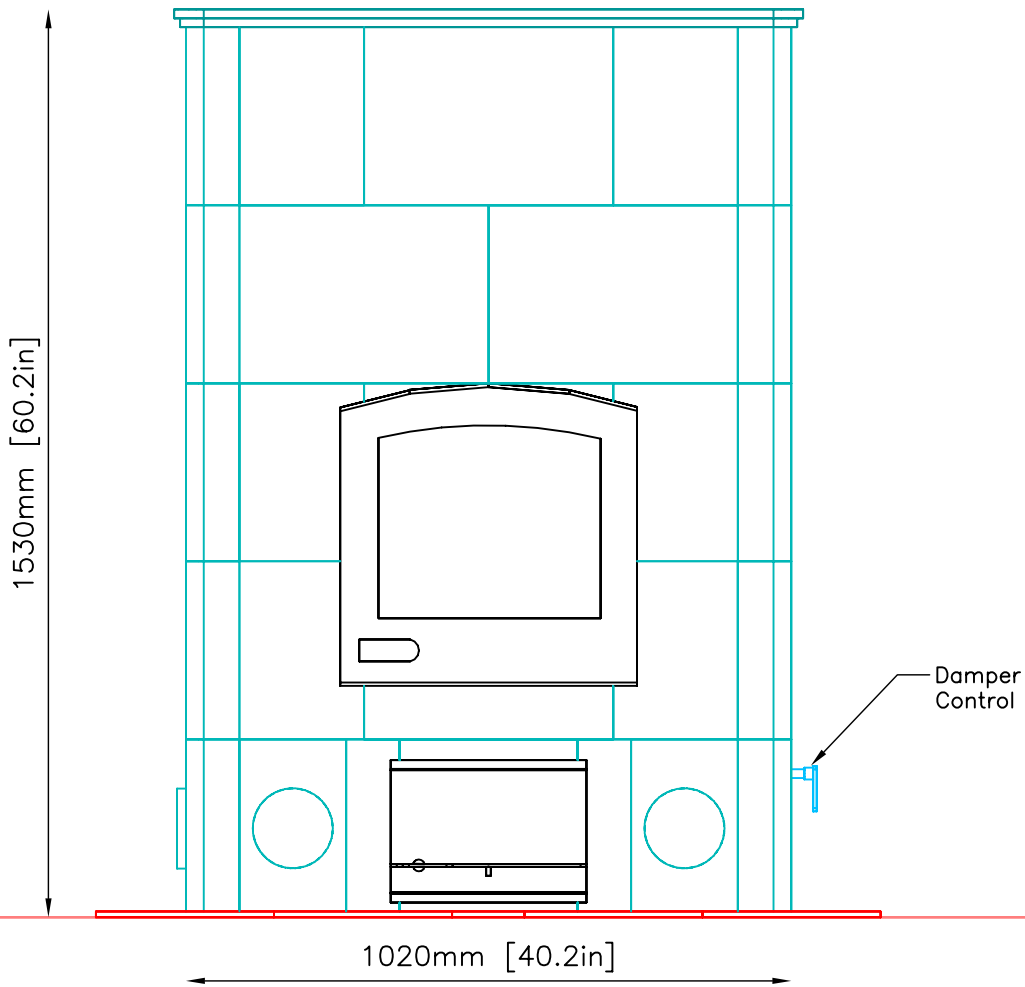
CONTRACT 5618
 DRAWN BY G. DiFiore

VIEW PERSPECTIVE
 DATE 2/4/04

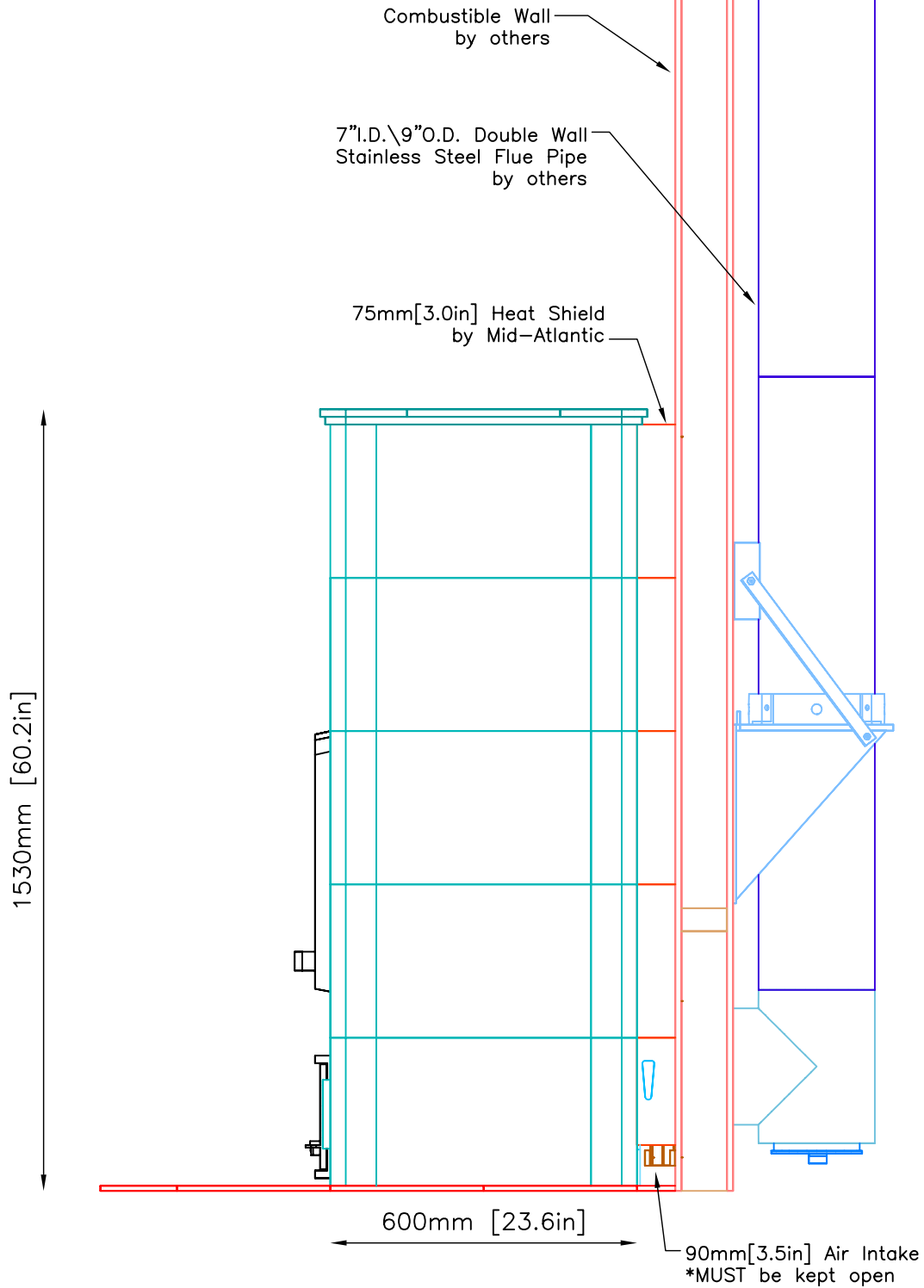
PAGE 1

FRONT VIEW

INFORMATION ONLY



SIDE VIEW



INFORMATION ONLY



MID-ATLANTIC MASONRY HEAT
 1229 Harris Street Suite 1
 Charlottesville, VA 22903
 (434)979-9709 Fax 434-979-6416

PROJECT Jones
 MODEL TU2200

CONTRACT 5618
 DRAWN BY G. DiFiore

VIEW SIDE
 DATE 2/4/04

PAGE 3

7" I.D./9" O.D. Double Wall Stainless Steel Flue Tee by others SEE PAGE 7 FOR FLUE DETAILS

Flue Location may be offset up to 4 inches right or left from center of fireplace. If greater offset is needed, contact Mid-Atlantic for revised drawings and installation pricing.

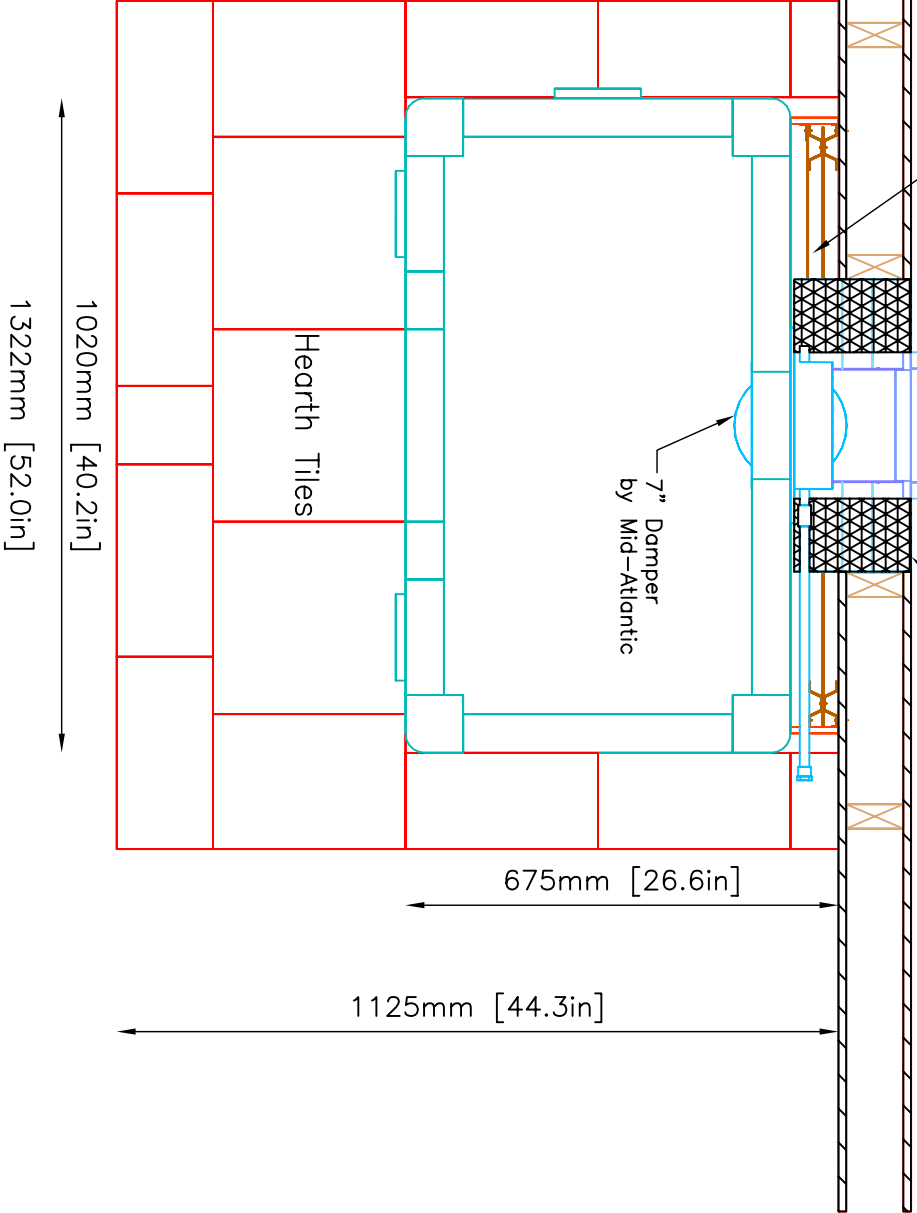
Foamglas Insulation by Mid-Atlantic

75mm [3.0in] Heat Shield by Mid-Atlantic.

Combustible Wall

7" Damper by Mid-Atlantic

Hearth Tiles

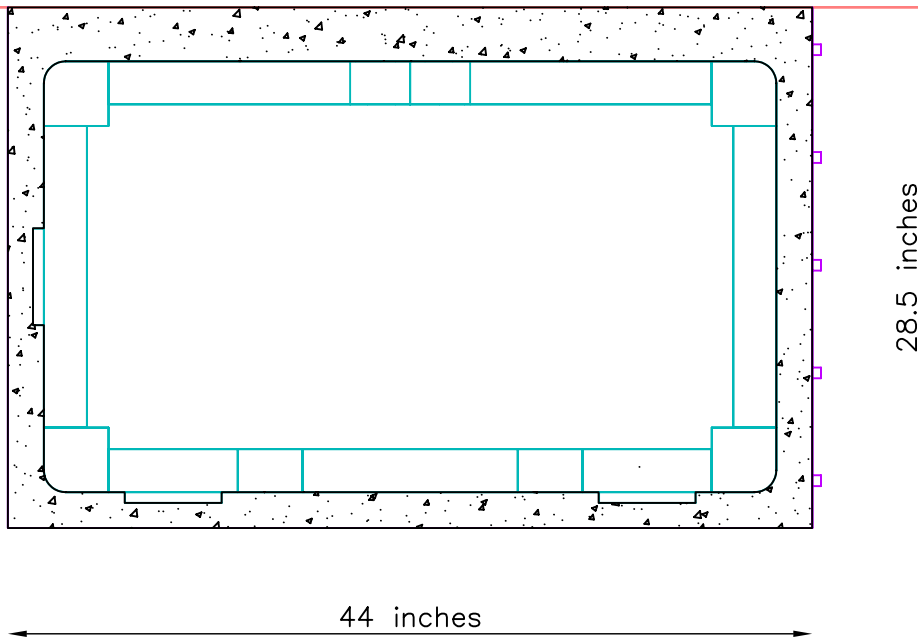


INFORMATION ONLY

NOTE: Hearth Tiles CUT AND INSTALLED by others

FOUNDATION SLAB

Minimum 4" Thick Poured Concrete With Rebar 6"O.C.
 Minimum Dimensions--2" from Base of Unit



INFORMATION ONLY

NOTE:
 TOP OF FOUNDATION SLAB TO BE LEVEL AND FLUSH WITH SUB-FLOOR
 Tolerances: +/- 1/8" No additional cost to level slab
 +/- 1/4" \$150.00-\$200.00 additional cost to level slab
 +/- 1/2" \$500.00 additional cost to level slab

UNIT WEIGHT: 3,800 lbs.

Owner/Contractor is responsible for engineering Foundation Slab to support weight of fireplace.



MID-ATLANTIC MASONRY HEAT
 1229 Harris Street Suite 1
 Charlottesville, VA 22903
 (434)979-9709 Fax 434-979-6416

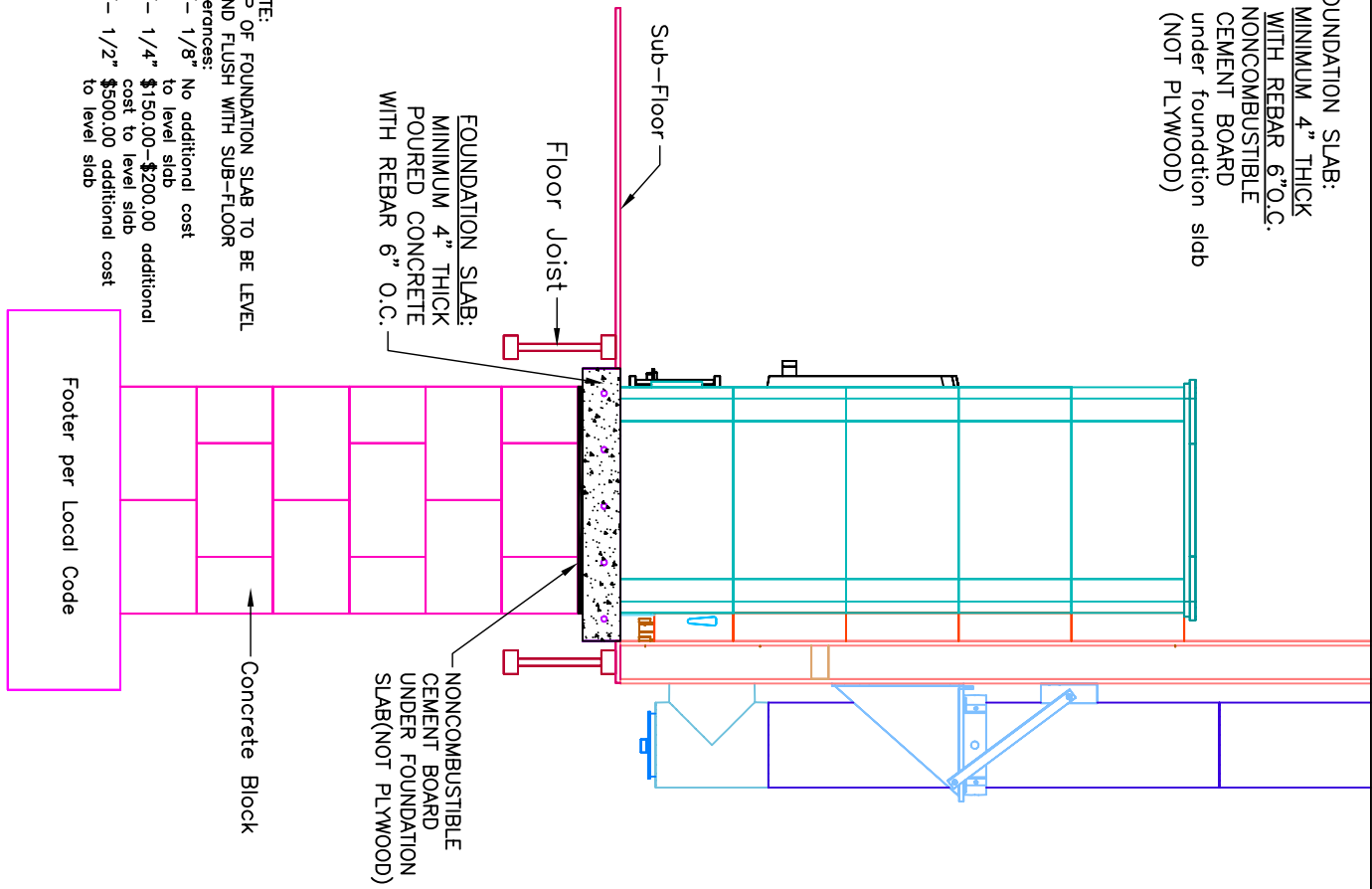
PROJECT Jones
 MODEL TU2200

CONTRACT 5618
 DRAWN BY G. DiFiore

VIEW SUPPORT
 DATE 2/4/04

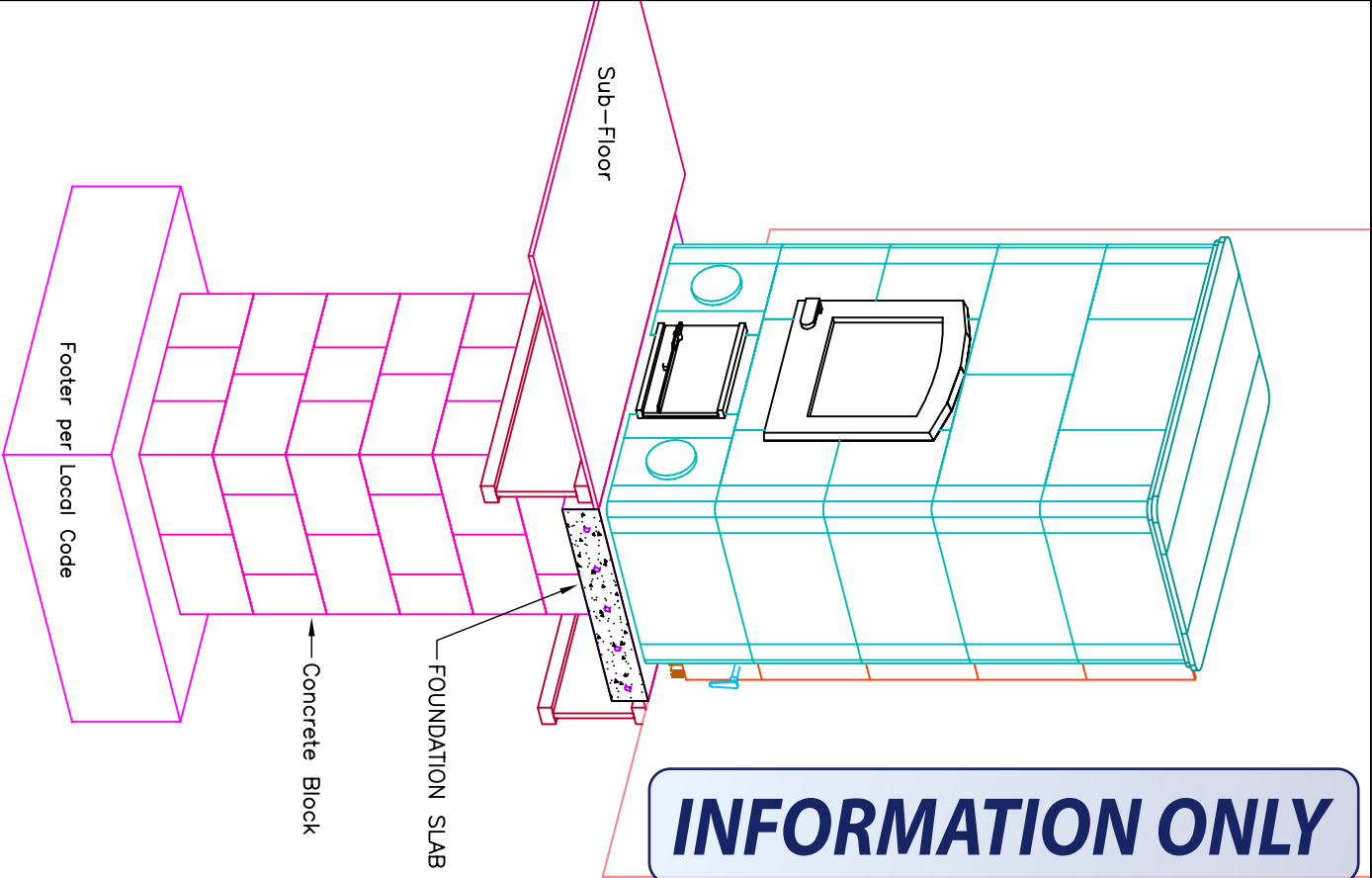
PAGE 5

FOUNDATION SLAB:
 * MINIMUM 4" THICK
 WITH REBAR 6" O.C.
 * NONCOMBUSTIBLE
 CEMENT BOARD
 under foundation slab
 (NOT PLYWOOD)



NOTE:
 TOP OF FOUNDATION SLAB TO BE LEVEL
 AND FLUSH WITH SUB-FLOOR
 Tolerances:
 +/- 1/8" No additional cost
 +/- 1/4" \$150.00-\$200.00 additional
 +/- 1/2" \$500.00 additional cost
 to level slab

UNIT WEIGHT: 3,800 lbs.
 Owner/Contractor is responsible for engineering Foundation Slab to support weight of fireplace.



INFORMATION ONLY



MID-ATLANTIC MASONRY HEAT
 McIntire Business Park
 Charlottesville, VA 22903
 (434)979-9709 Fax 434-979-6416

PROJECT Jones
 MODEL TU2200

CONTRACT 5618
 DRAWN BY G. DiFiore

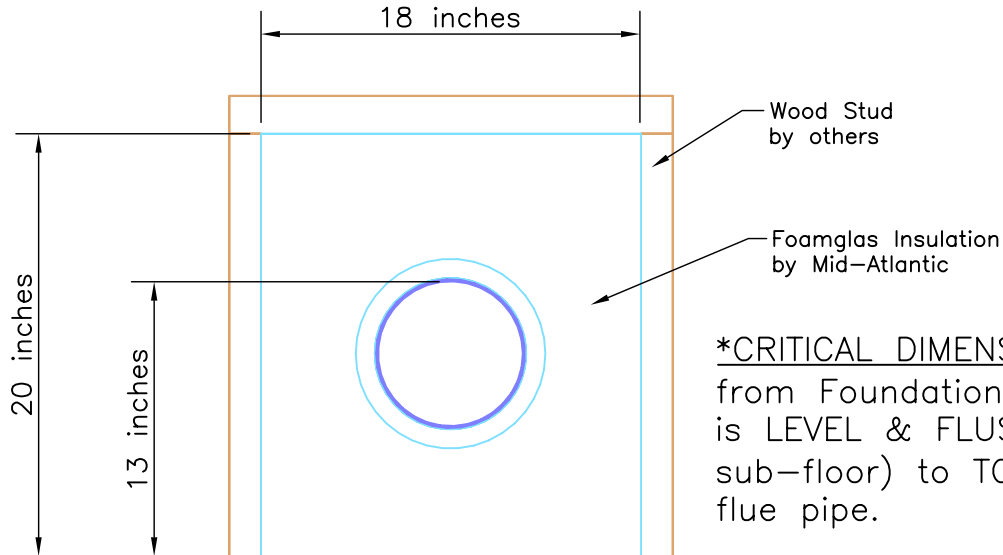
VIEW Foundation Slab
 DATE 2/4/04

PAGE 6

WALL ELEVATION

Combustible
Wall by others.

Flue Location may be offset
up to 4 inches right or left
from center of fireplace.
If greater offset is needed, contact
Mid-Atlantic for revised drawings
and installation pricing.
SEE PAGE 4



***CRITICAL DIMENSION:** 13"
from Foundation Slab (which
is LEVEL & FLUSH with
sub-floor) to TOP INSIDE
flue pipe.



Thickness of Finished Floor—Maximum $\frac{3}{4}$ ".
If Finished Floor exceeds $\frac{3}{4}$ " Thickness
Mid-Atlantic MUST be contacted for revised
specifications.

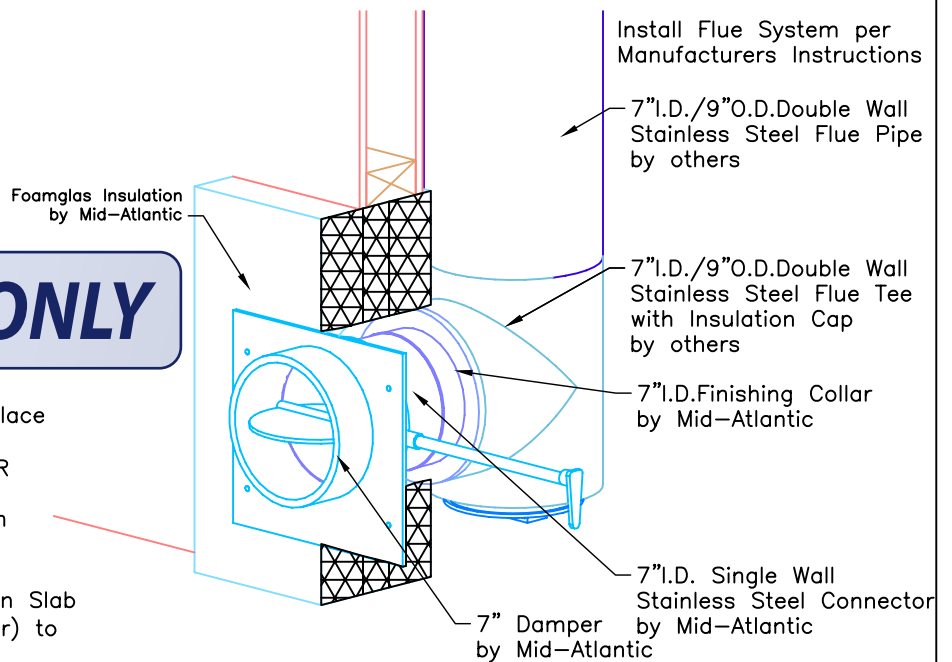
INFORMATION ONLY

Notes:

- Sheetrock behind Fireplace MUST be in place PRIOR to Installation.
- 18"X20" Opening MUST be in place PRIOR to Installation.
- UL Listed – Minimum Foamglas Insulation 4" on sides & 6" on top of Flue Pipe.

Chimney Placement

*CRITICAL DIMENSION: 13" from Foundation Slab (which is LEVEL & FLUSH with sub-floor) to TOP INSIDE flue pipe.



MID-ATLANTIC MASONRY HEAT
1229 Harris Street Suite 1
Charlottesville, VA 22903
(434)979-9709 Fax 434-979-6416

PROJECT Jones
MODEL TU2200

CONTRACT 5618
DRAWN BY G. DiFiore

VIEW Wall Elevation
DATE 2/4/04

PAGE 7