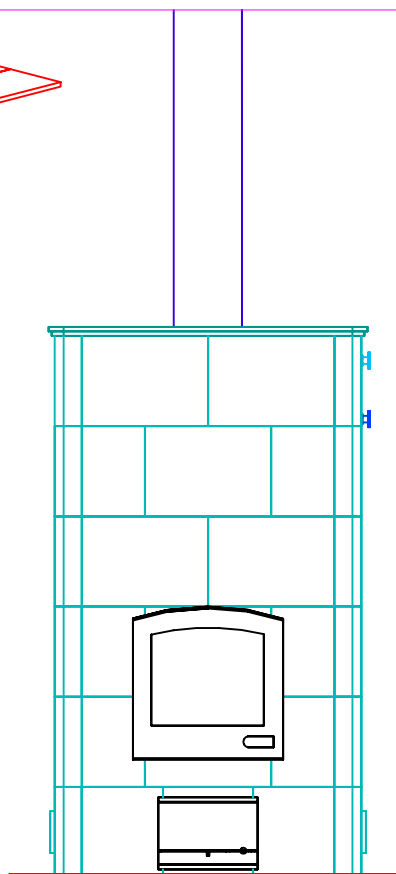
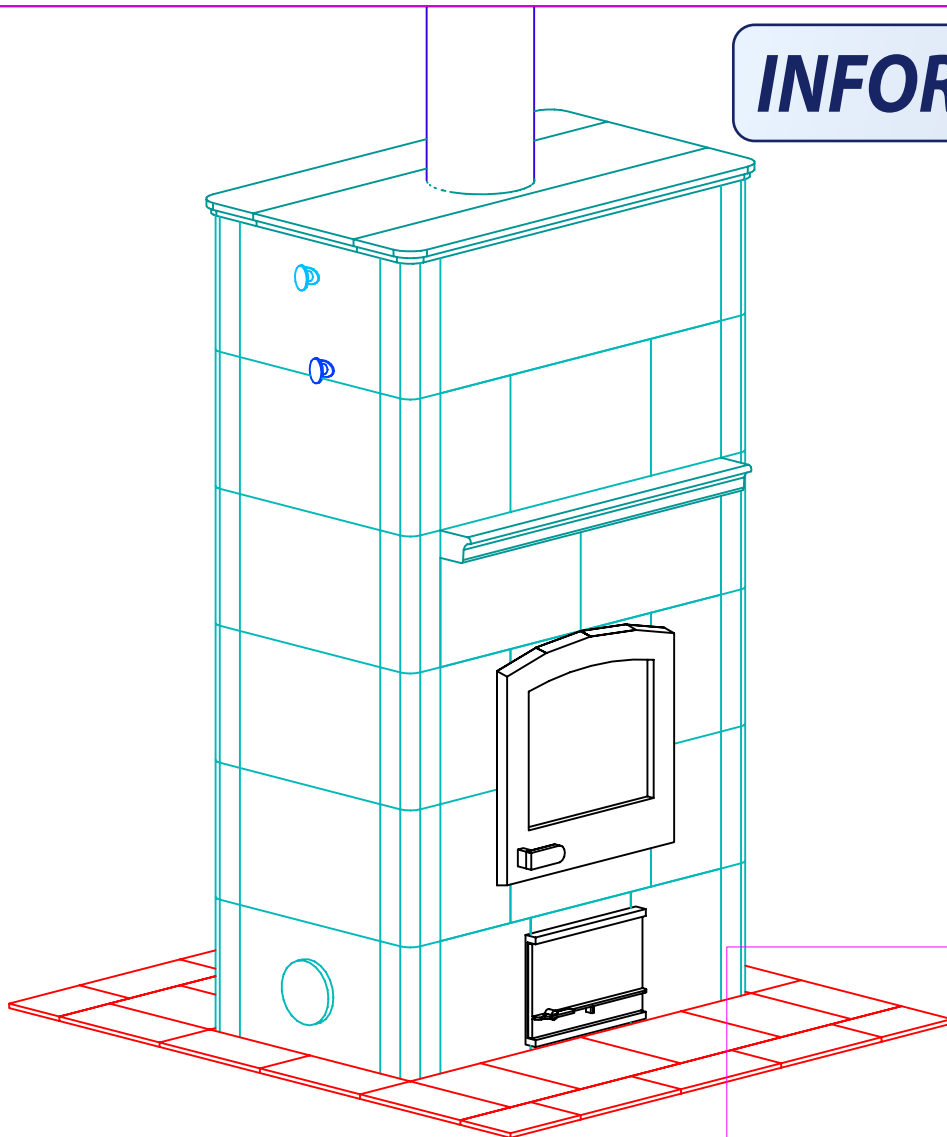


INFORMATION ONLY



NOTE: Hearth Tiles CUT AND INSTALLED by others



MID-ATLANTIC MASONRY HEAT
1229 Harris Street Suite 1
Charlottesville, VA 22903
(434)979-9709 Fax 434-979-6416

PROJECT LIEBMAN
MODEL TU2200

CONTRACT
DRAWN BY D.P.BYRAM

VIEW PERSPECTIVE
DATE 12/10/03

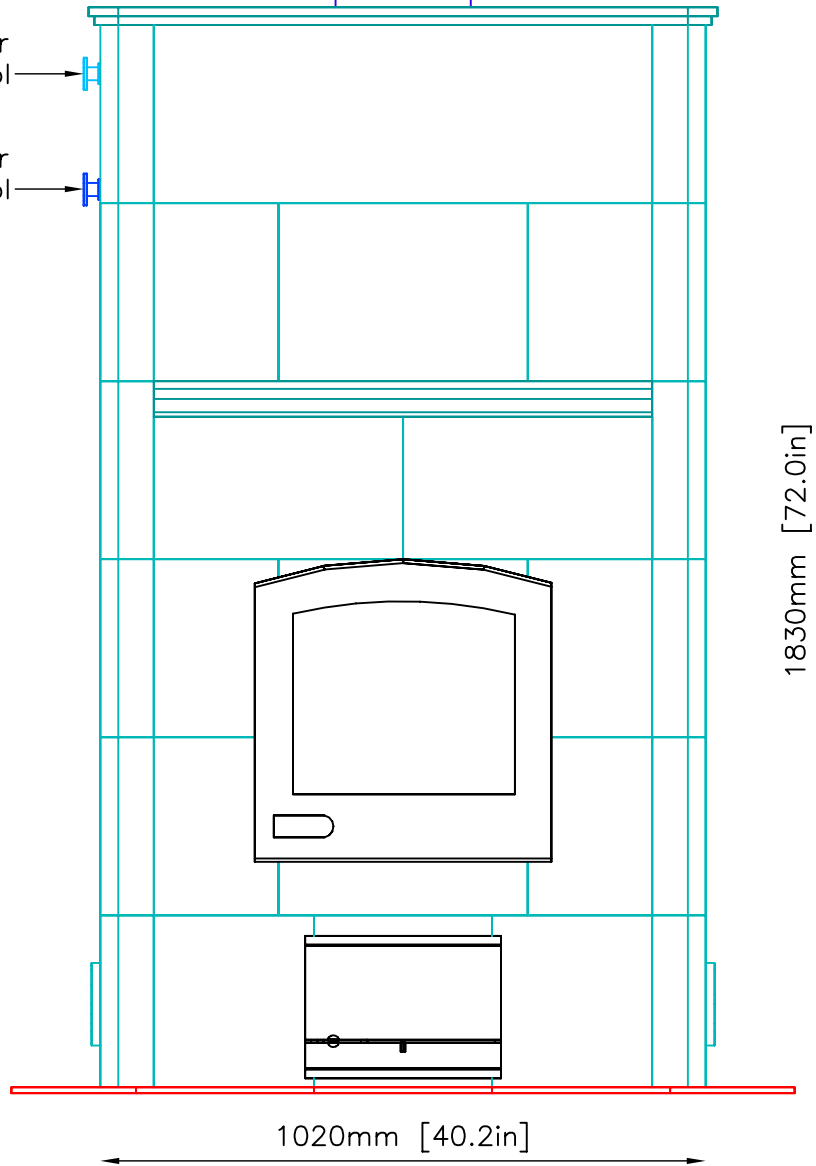
PAGE 1

FRONT VIEW

INFORMATION ONLY

7" I.D./9" O.D. Double Wall
Stainless Steel
Flue Pipe by others. →

Main Damper Control →
Bypass Damper Control →



NOTE: Hearth Tiles CUT AND INSTALLED by others



MID-ATLANTIC MASONRY HEAT
1229 Harris Street Suite 1
Charlottesville, VA 22903
(434)979-9709 Fax 434-979-6416

PROJECT LIEBMAN
MODEL TU2200

CONTRACT
DRAWN BY D.P.BYRAM

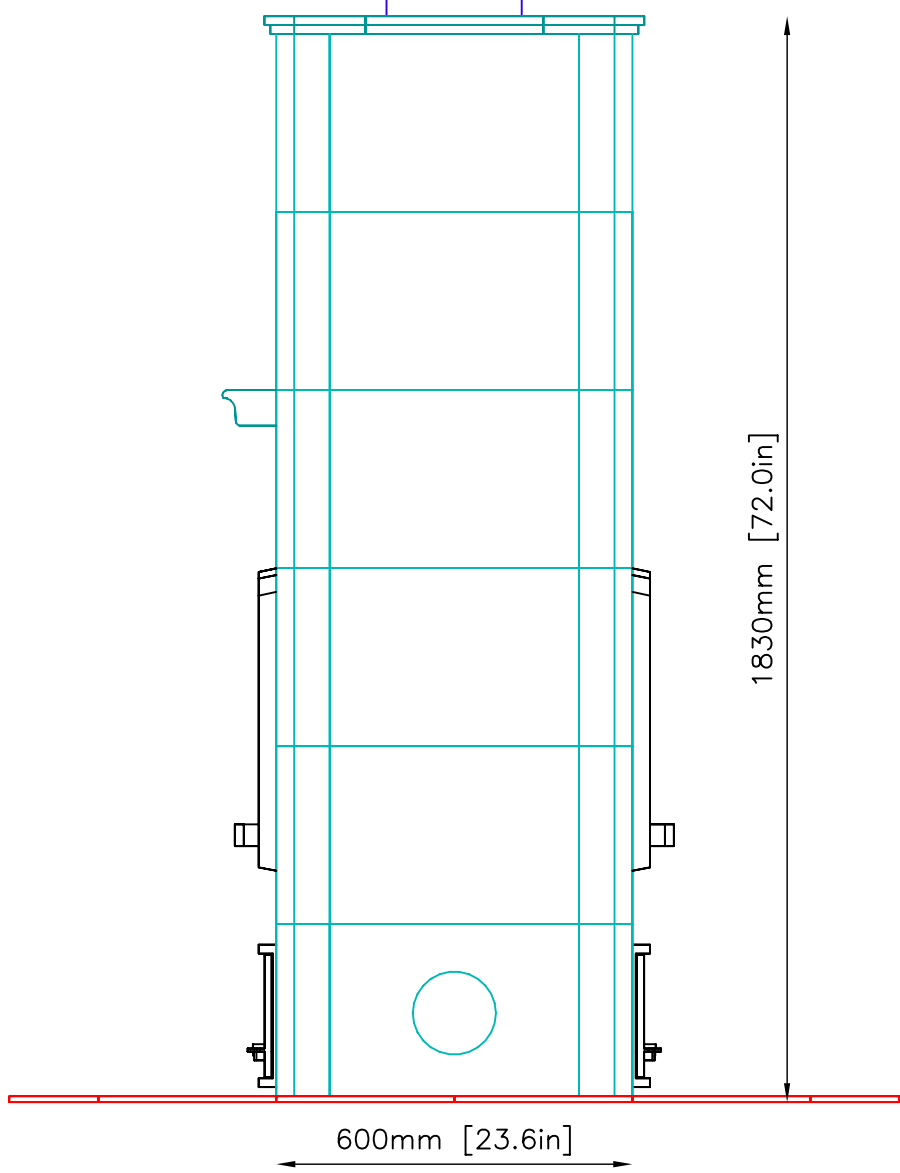
VIEW FRONT
DATE 12/10/03

PAGE 2

SIDE VIEW

INFORMATION ONLY

7" I.D./9" O.D. Double Wall
Stainless Steel
Flue Pipe by others.



NOTE: Hearth Tiles CUT AND INSTALLED by others



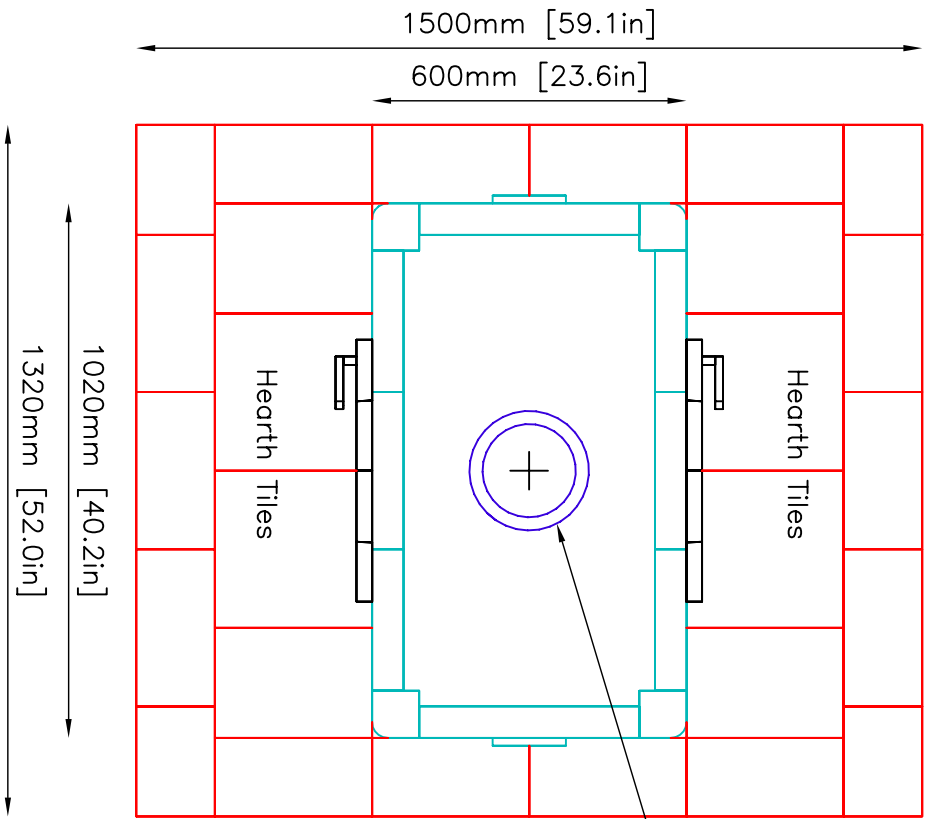
MID-ATLANTIC MASONRY HEAT
1229 Harris Street Suite 1
Charlottesville, VA 22903
(434)979-9709 Fax 434-979-6416

PROJECT LIEBMAN
MODEL TU2200

CONTRACT
DRAWN BY D.P.BYRAM

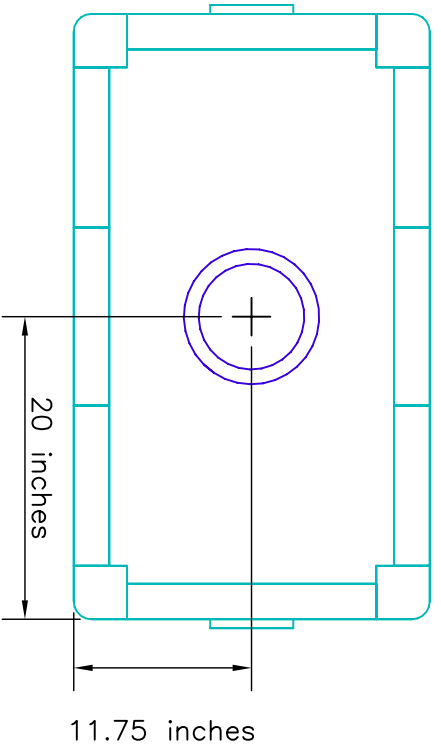
VIEW SIDE
DATE 12/10/03

PAGE 3



7" I.D./9" O.D. Double Wall
Stainless Steel Flue Pipe
by others.

Flue Location Detail



Flue System: 7" I.D./9" O.D. Double Wall Stainless Steel by others

NOTE: Hearth Tiles CUT AND INSTALLED by others

INFORMATION ONLY

	MID-ATLANTIC MASONRY HEAT 1229 Harris Street Suite 1 Charlottesville, VA 22903 (434)979-9709 Fax 434-979-6416	PROJECT	LIEBMAN	CONTRACT	VIEW	PLAN	PAGE
		MODEL	TU2200	DRAWN BY	D.P.BYRAM	DATE	12/10/03