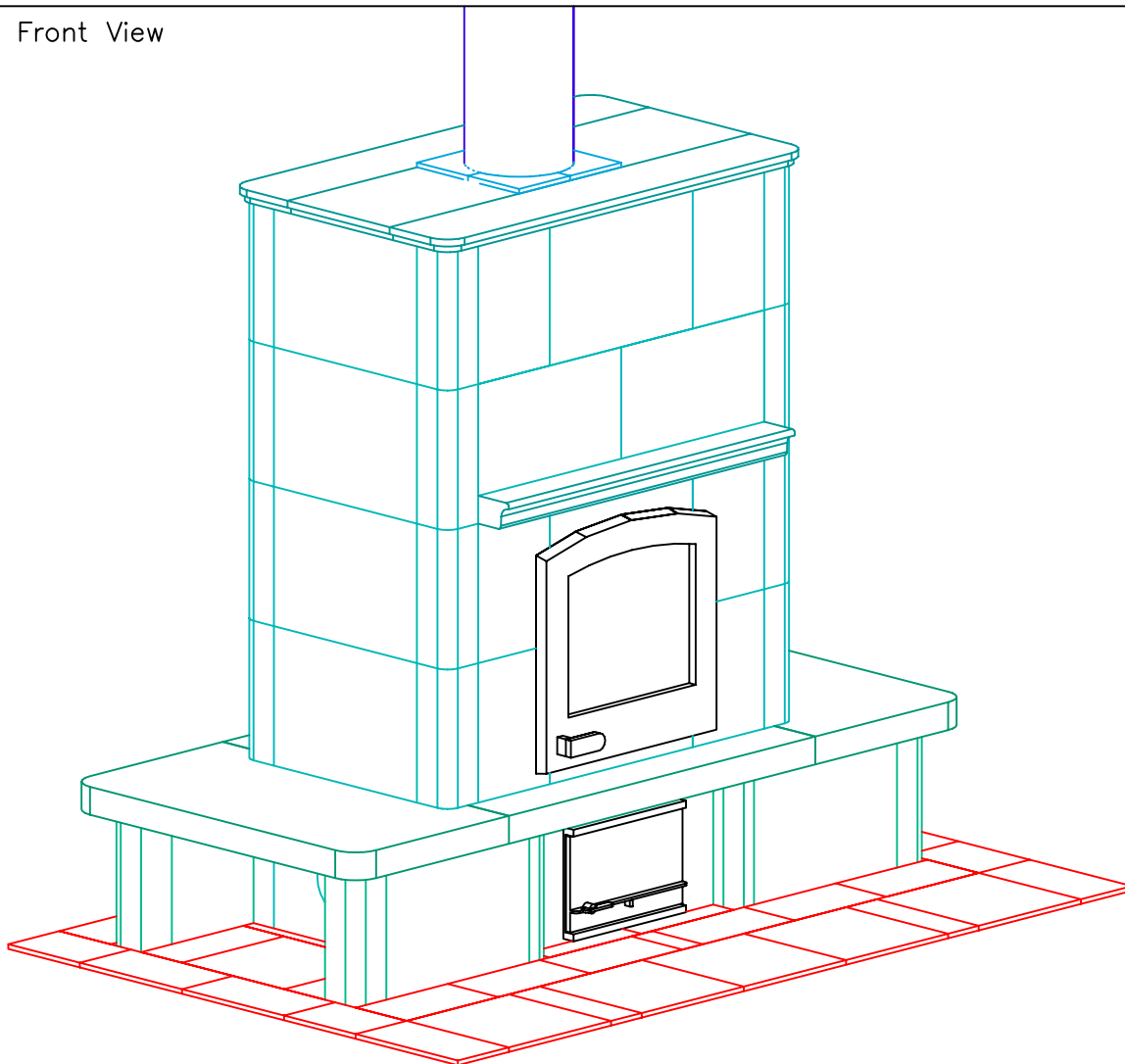
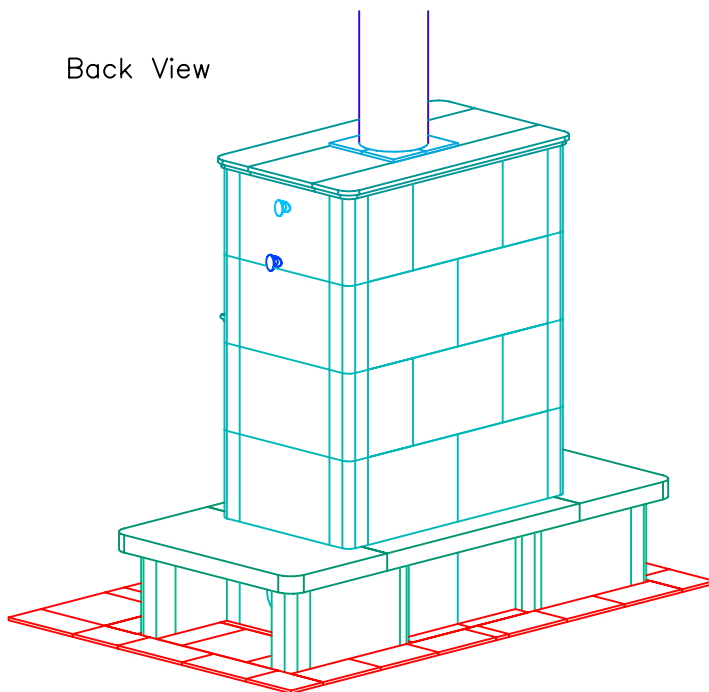


Front View



Back View



INFORMATION ONLY

NOTE: Hearth Tiles CUT AND INSTALLED by others



MID-ATLANTIC MASONRY HEAT
 1229 Harris Street Suite 1
 Charlottesville, VA 22903
 (434)979-9709 Fax 434-979-6416

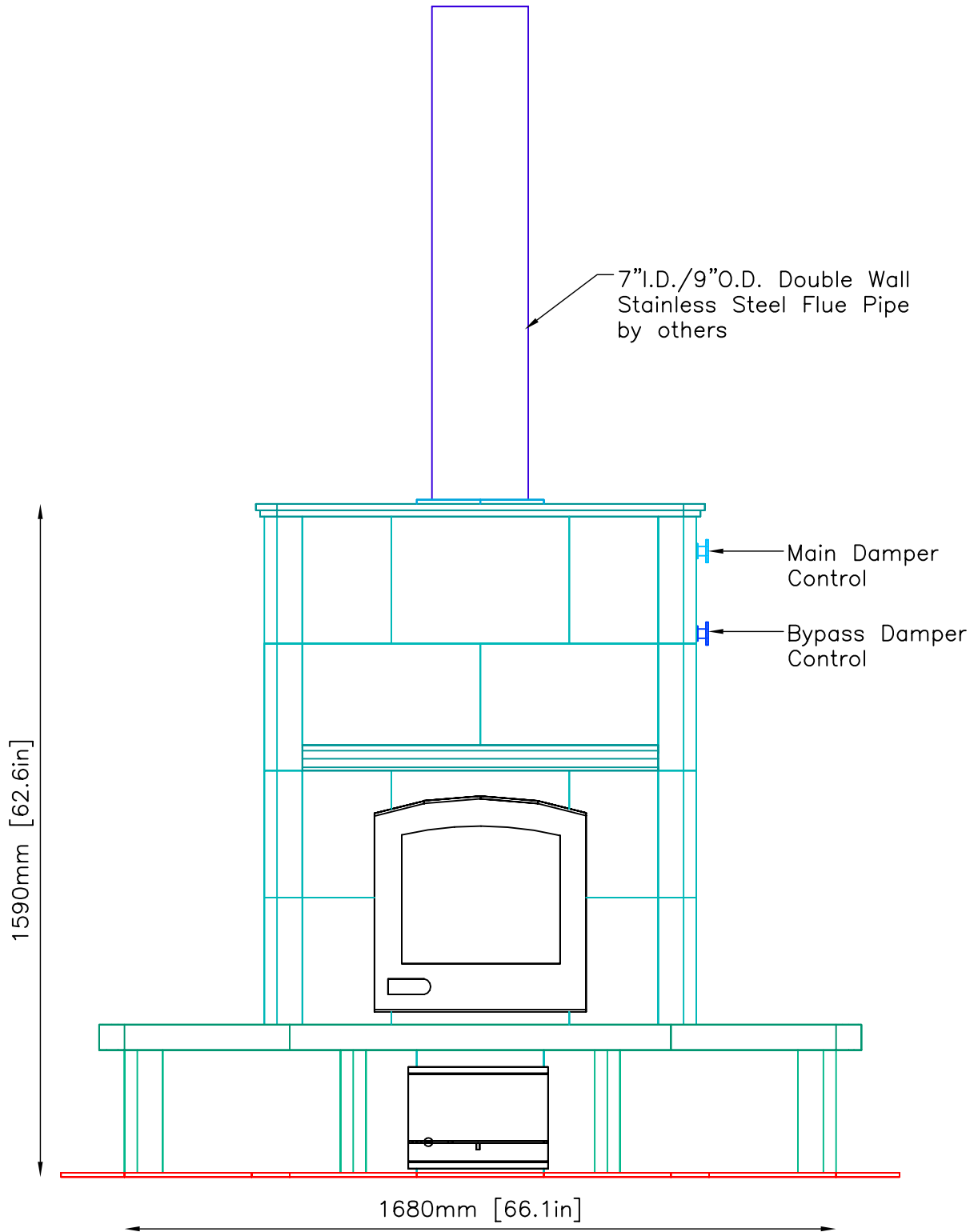
PROJECT MANN
 MODEL TU2200-T

CONTRACT
 DRAWN BY D.P.BYRAM

VIEW PERSPECTIVE
 DATE 9/12/03

PAGE 1

FRONT VIEW



INFORMATION ONLY



MID-ATLANTIC MASONRY HEAT
 1229 Harris Street Suite 1
 Charlottesville, VA 22903
 (434)979-9709 Fax 434-979-6416

PROJECT MANN
 MODEL TU2200-T

CONTRACT
 DRAWN BY D.P.BYRAM

VIEW FRONT
 DATE 9/12/03

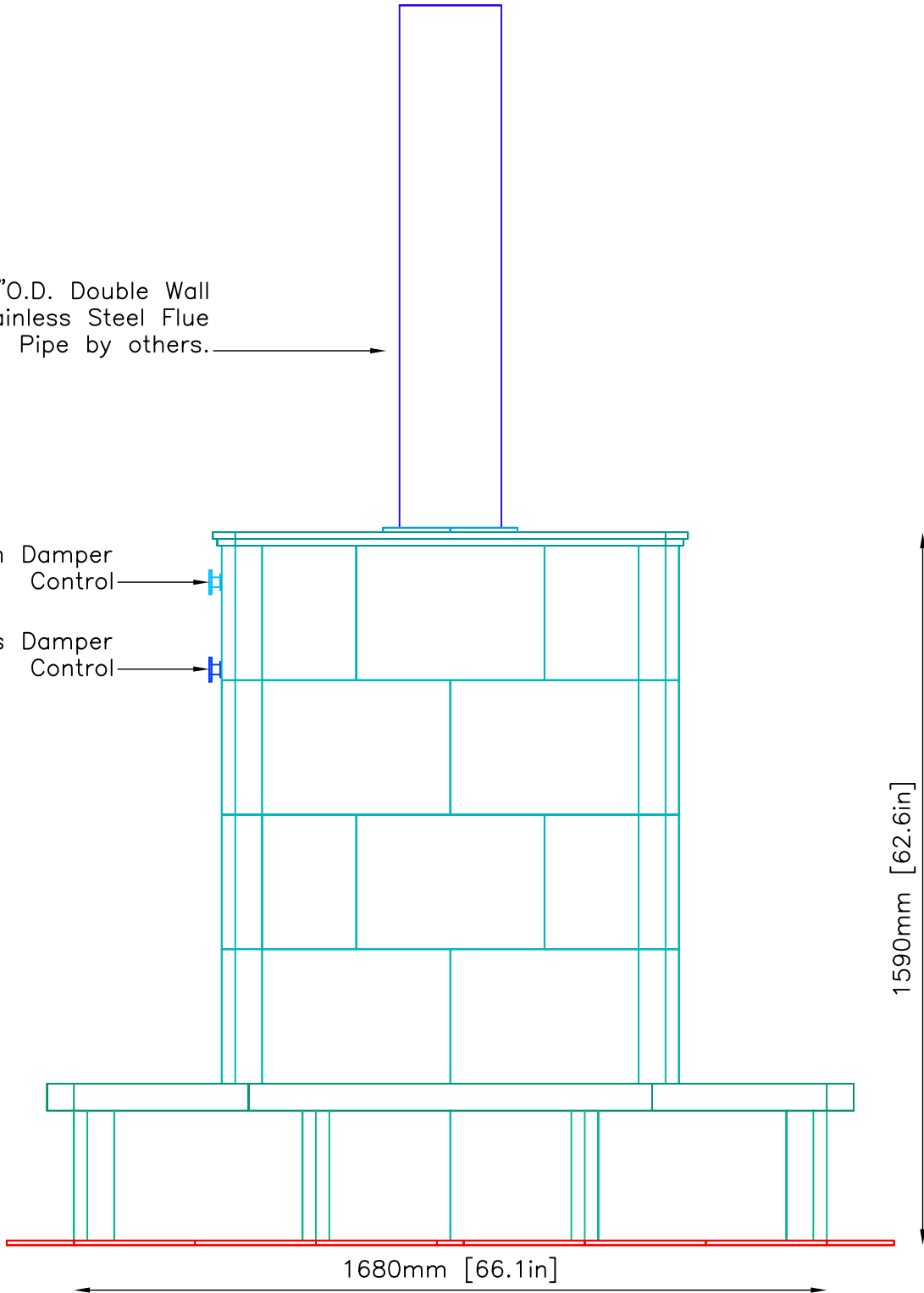
PAGE 2

BACK VIEW

7" I.D./9" O.D. Double Wall
Stainless Steel Flue
Pipe by others.

Main Damper
Control

Bypass Damper
Control

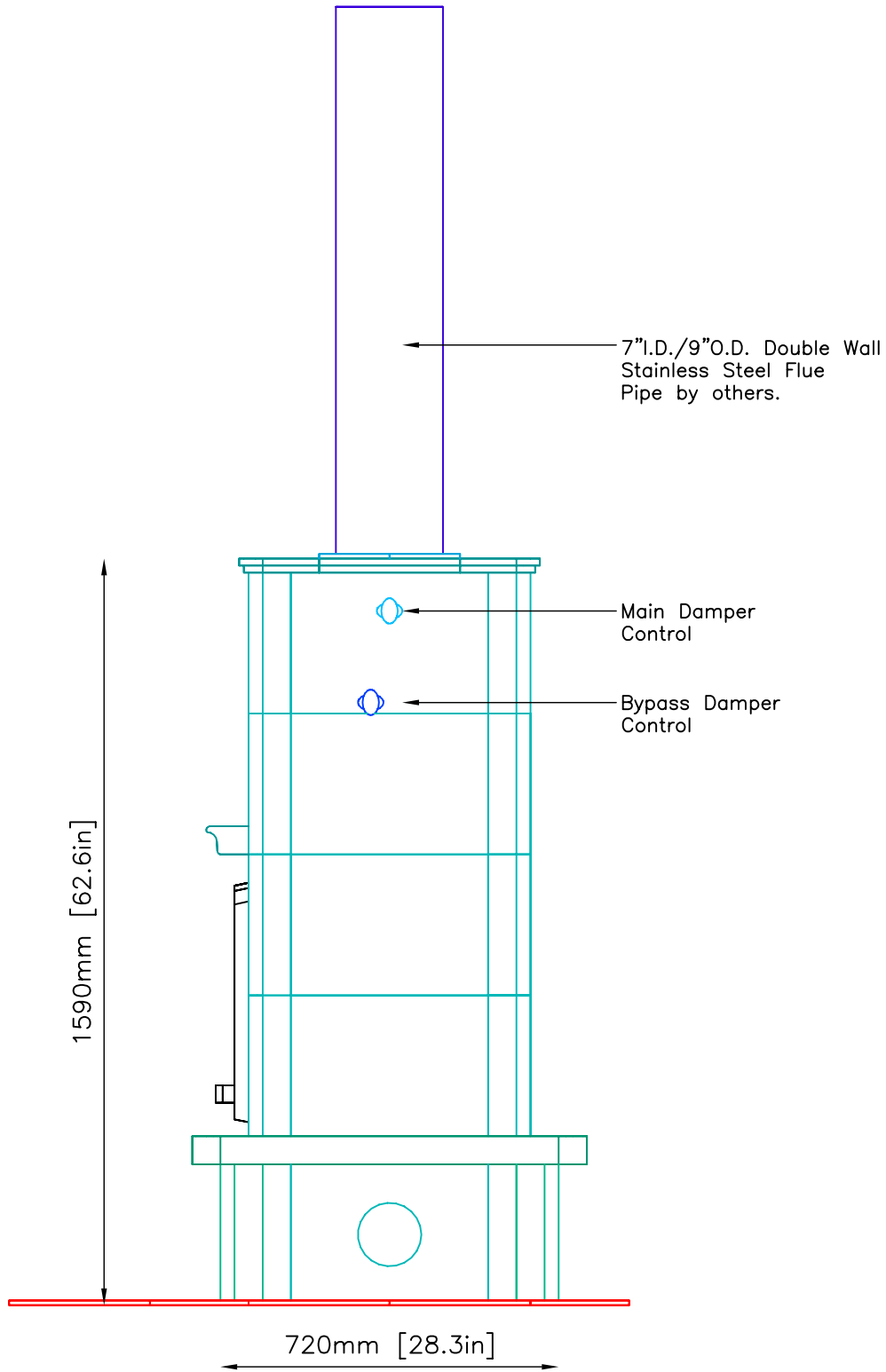


1590mm [62.6in]

1680mm [66.1in]

INFORMATION ONLY

SIDE VIEW



INFORMATION ONLY



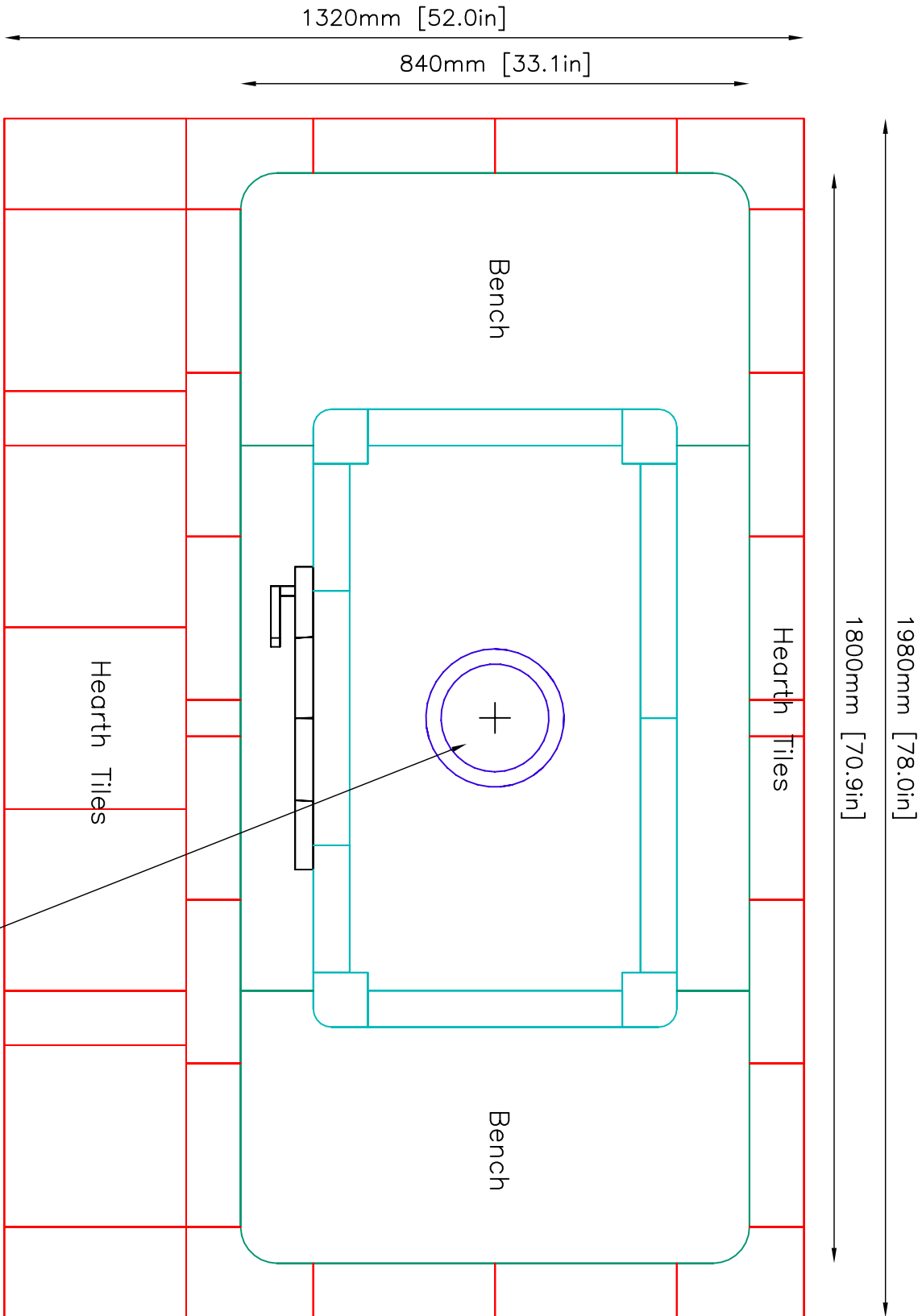
MID-ATLANTIC MASONRY HEAT
1229 Harris Street Suite 1
Charlottesville, VA 22903
(434)979-9709 Fax 434-979-6416

PROJECT MANN
MODEL TU2200-T

CONTRACT
DRAWN BY D.P.BYRAM

VIEW SIDE
DATE 9/12/03


PAGE 4



NOTE: Hearth Tiles CUT AND INSTALLED by others

7" I.D./9" O.D. Double Wall
Stainless Steel Flue Pipe
by others.

INFORMATION ONLY

| | | | | | | |
|--|--|-----------------------|-----------------|----------|--------------|-----------|
|  | MID-ATLANTIC MASONRY HEAT 1229 Harris Street Suite 1 Charlottesville, VA 22903 (434)979-9709 Fax 434-979-6416 | | PROJECT MANN | CONTRACT | VIEW PLAN | PAGE 5 |
| | MODEL TU2200-T | DRAWN BY D.P.BYRAM | DATE 9/12/03 | | | |