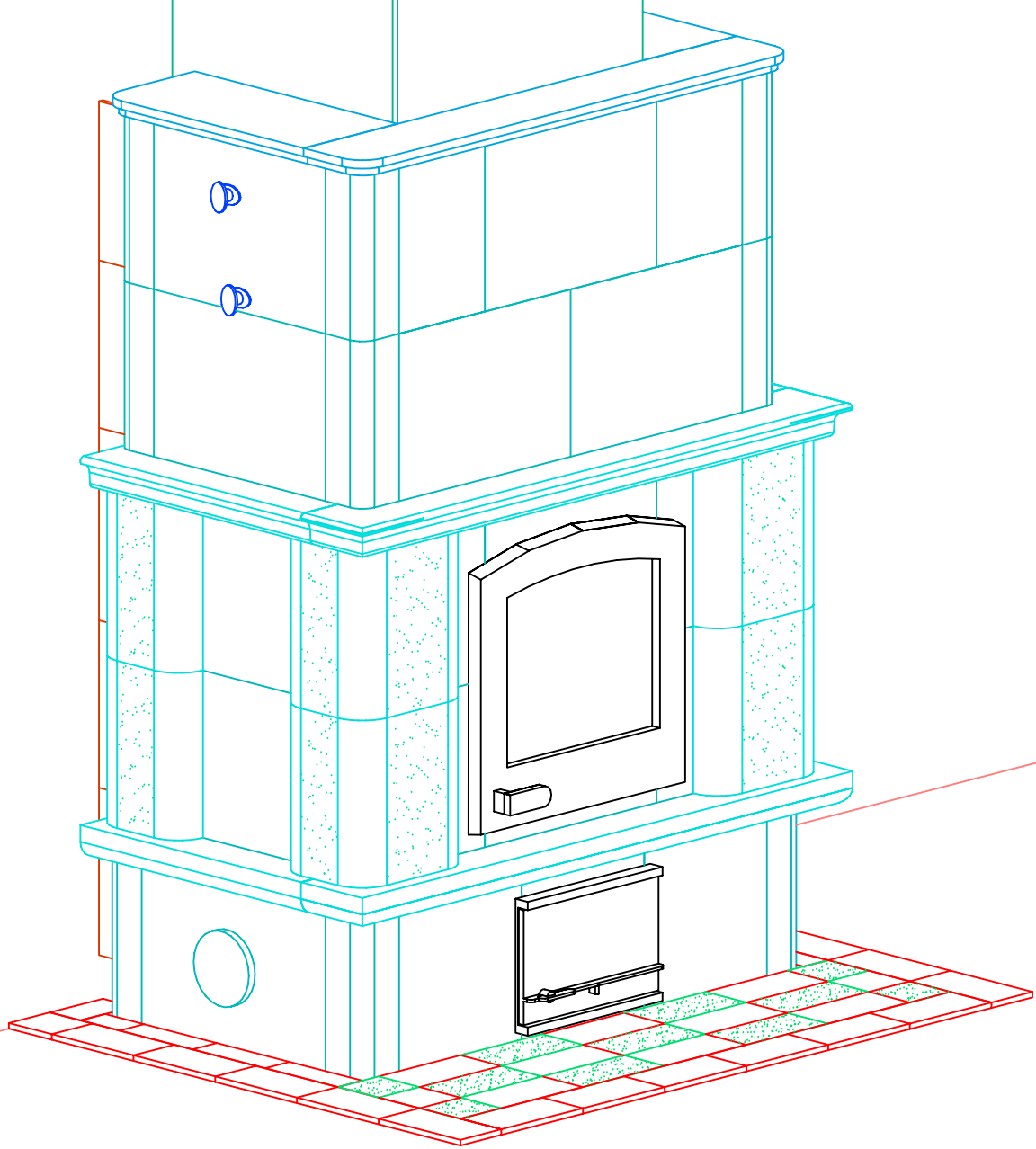


# INFORMATION ONLY



NOTE: Hearth Tiles CUT AND INSTALLED by others



MID-ATLANTIC MASONRY HEAT  
 1229 Harris Street Suite 1  
 Charlottesville, VA 22903  
 (434)979-9709 Fax 434-979-6416

PROJECT PACE  
 MODEL TU2200

CONTRACT  
 DRAWN BY D.P.BYRAM

VIEW PERSPECTIVE  
 DATE 4/17/03

PAGE 1

FRONT VIEW

**INFORMATION ONLY**

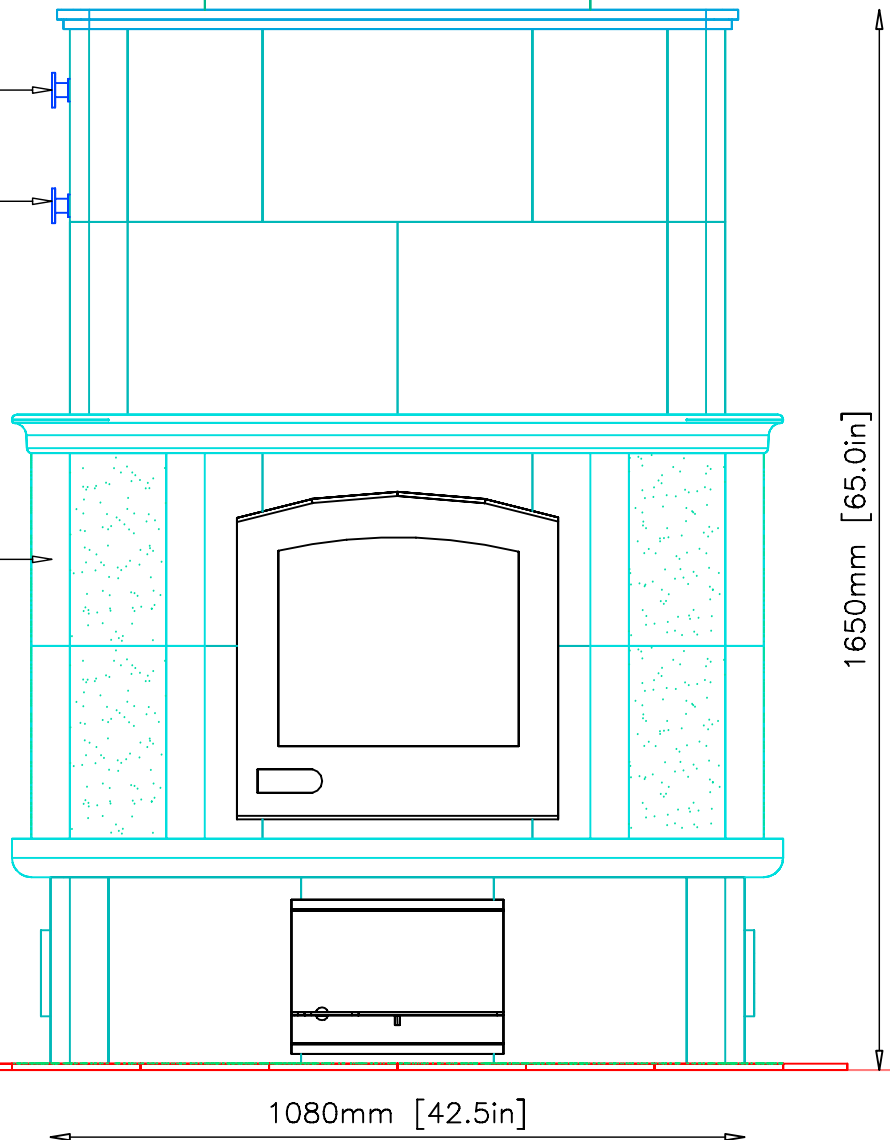
Sheetrock Chimney Chase by others →

NO Combustible materials  
WITHIN 10" OF TOP  
OF FIREPLACE. →  
Use Metal Studs  
and Cement Board.

Main  
Damper  
Control →

Bypass  
Damper  
Control →

Green Serpentine  
Trim →



SIDE VIEW

# INFORMATION ONLY

75mm[3.0in]  
Heat Shield  
covered with  
Soapstone Tile  
by Mid-Atlantic

90mm[3.5in]  
Air Intake  
MUST be  
kept open

Sheetrock Chimney Chase  
by others.

NO combustible material  
WITHIN 10" of TOP OF FIREPLACE.  
Use Metal Studs and Cement Board.

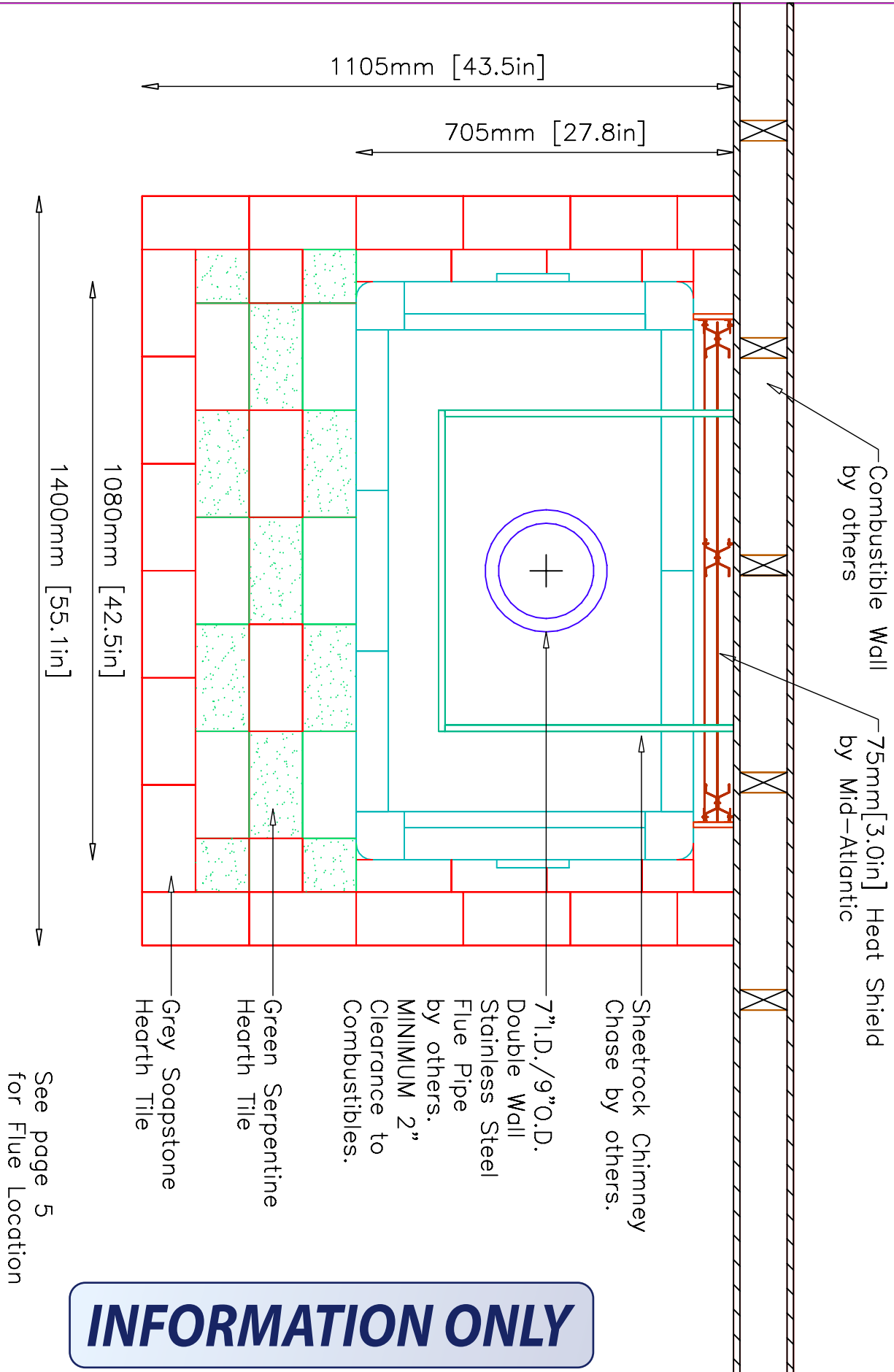
Main Damper  
Control

Bypass Damper  
Control

Green  
Serpentine  
Trim

1650mm [65.0in]

630mm [24.8in]



NOTE: Hearth Tiles CUT AND INSTALLED by others

See page 5 for Flue Location

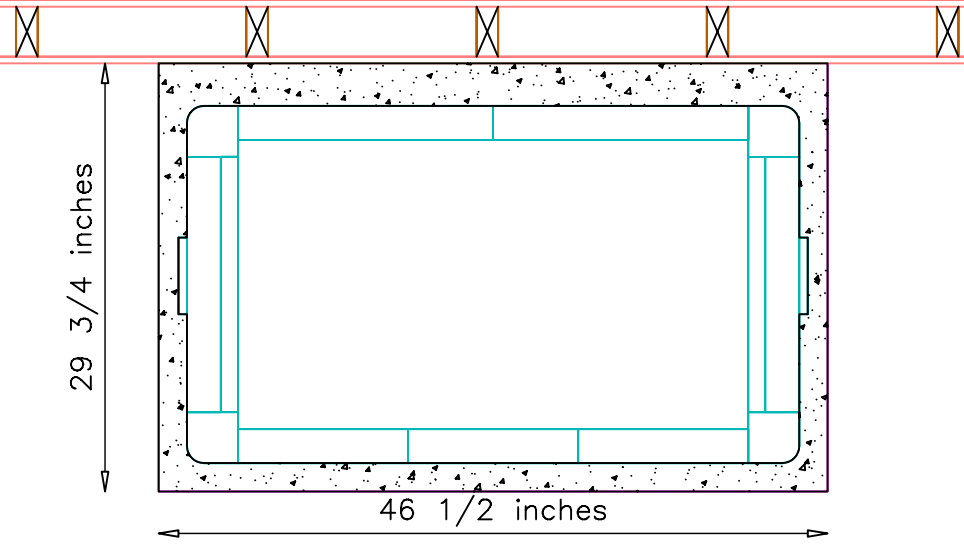
**INFORMATION ONLY**

	MID-ATLANTIC MASONRY HEAT 1229 Harris Street Suite 1 Charlottesville, VA 22903 (434)979-9709 Fax 434-979-6416	PROJECT	CONTRACT	VIEW	PAGE
		PACE MODEL TU2200	DRAWN BY D.P.BYRAM	PLAN DATE 4/17/03	4

CAPPING SLAB

Minimum Dimensions--2" from Base of Ur

**INFORMATION ONLY**



NOTE:  
TOP OF CAPPING SLAB TO BE LEVEL  
AND FLUSH WITH SUB-FLOOR

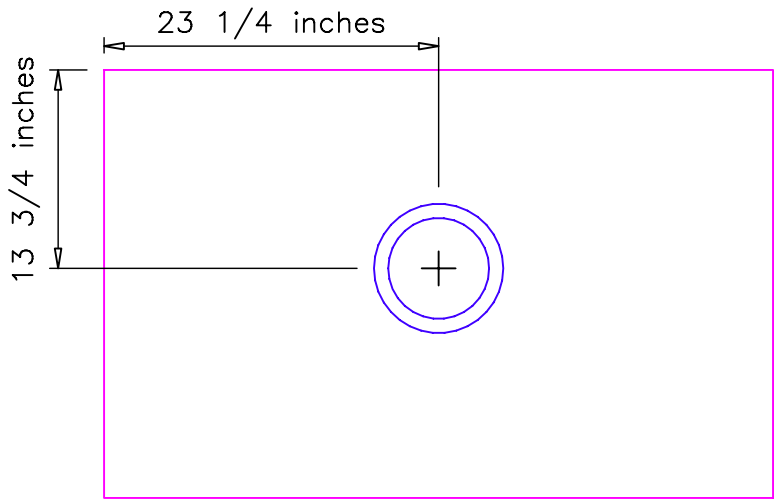
Tolerances:

- +/- 1/8" No additional cost to adjust slab
- +/- 1/4" \$150.00-\$200.00 additional cost to adjust slab
- +/- 1/2" \$500.00 additional cost to adjust slab

UNIT WEIGHT: MINIMUM 4500lbs.

Contractor is responsible for engineering capping slab to support weight of fireplace.

Flue Location



Flue Location: From Upper Left Corner of Capping Slab 23<sup>1</sup>/<sub>4</sub>"x 13<sup>3</sup>/<sub>4</sub>" to CENTER of flue pipe.  
Flue System: 7" I.D./9" O.D. Double Wall Stainless Steel Flue pipe by others.