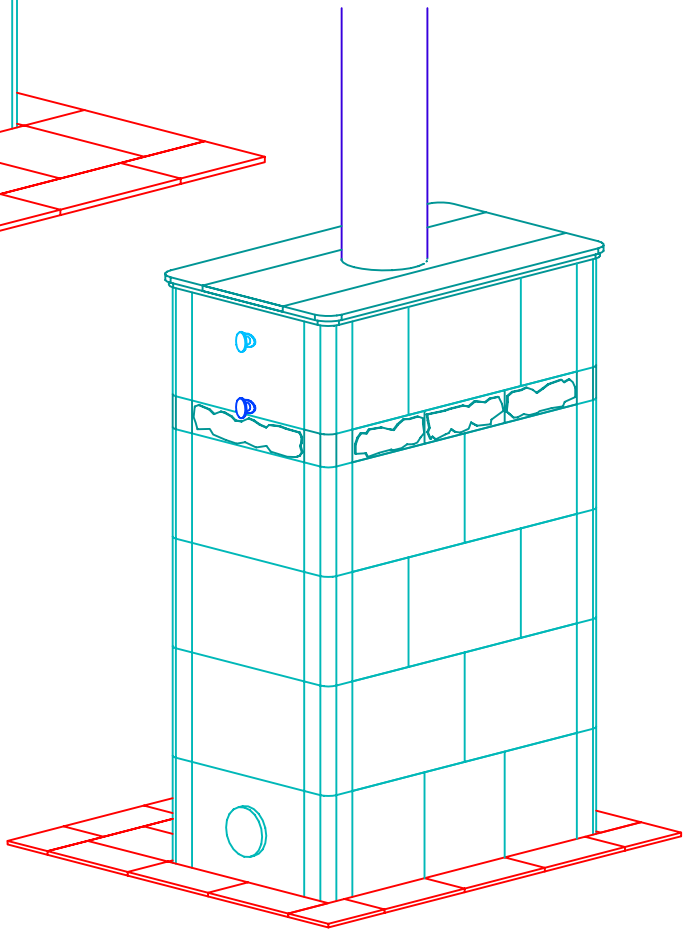
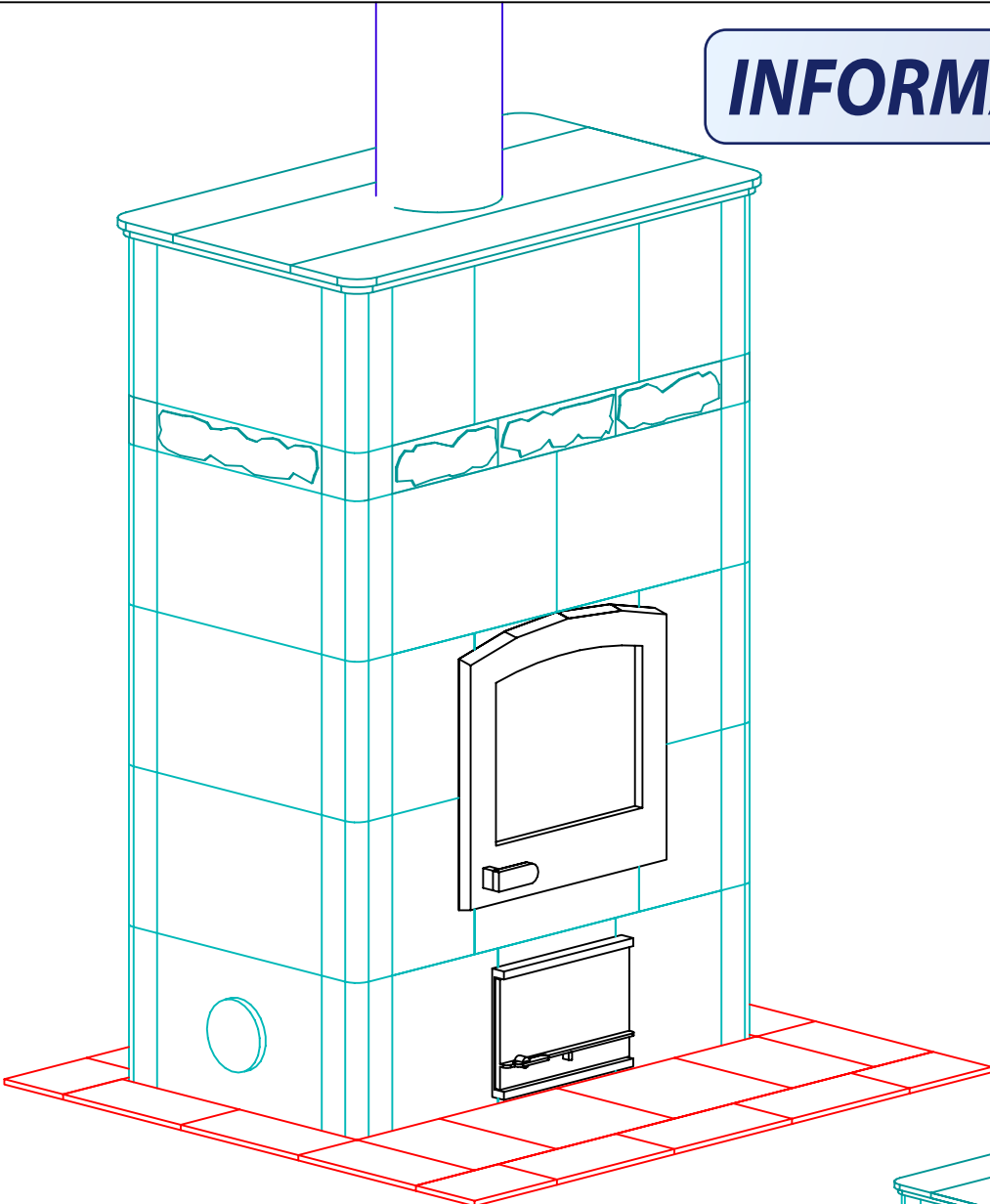


INFORMATION ONLY



NOTE: Hearth Tiles CUT AND INSTALLED by others



MID-ATLANTIC MASONRY HEAT
 1229 Harris Street Suite 1
 Charlottesville, VA 22903
 (434)979-9709 Fax 434-979-6416

PROJECT RICHARDS
 MODEL TU2200

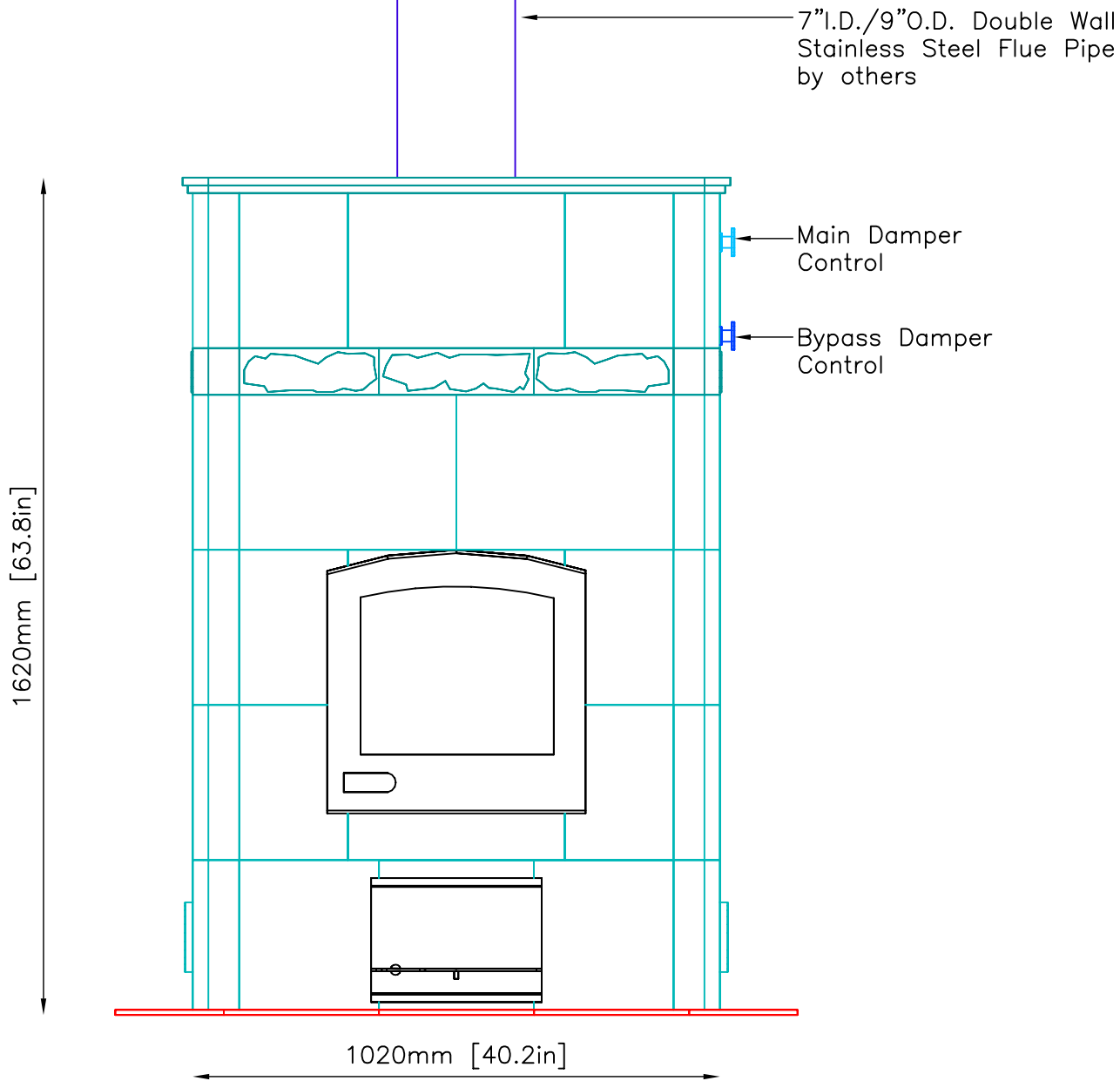
CONTRACT 5649
 DRAWN BY D.P.BYRAM

VIEW PERSPECTIVE
 DATE 4/28/04

PAGE 1

FRONT VIEW

INFORMATION ONLY



NOTE: Hearth Tiles CUT AND INSTALLED by others



MID-ATLANTIC MASONRY HEAT
1229 Harris Street Suite 1
Charlottesville, VA 22903
(434)979-9709 Fax 434-979-6416

PROJECT RICHARDS
MODEL TU2200

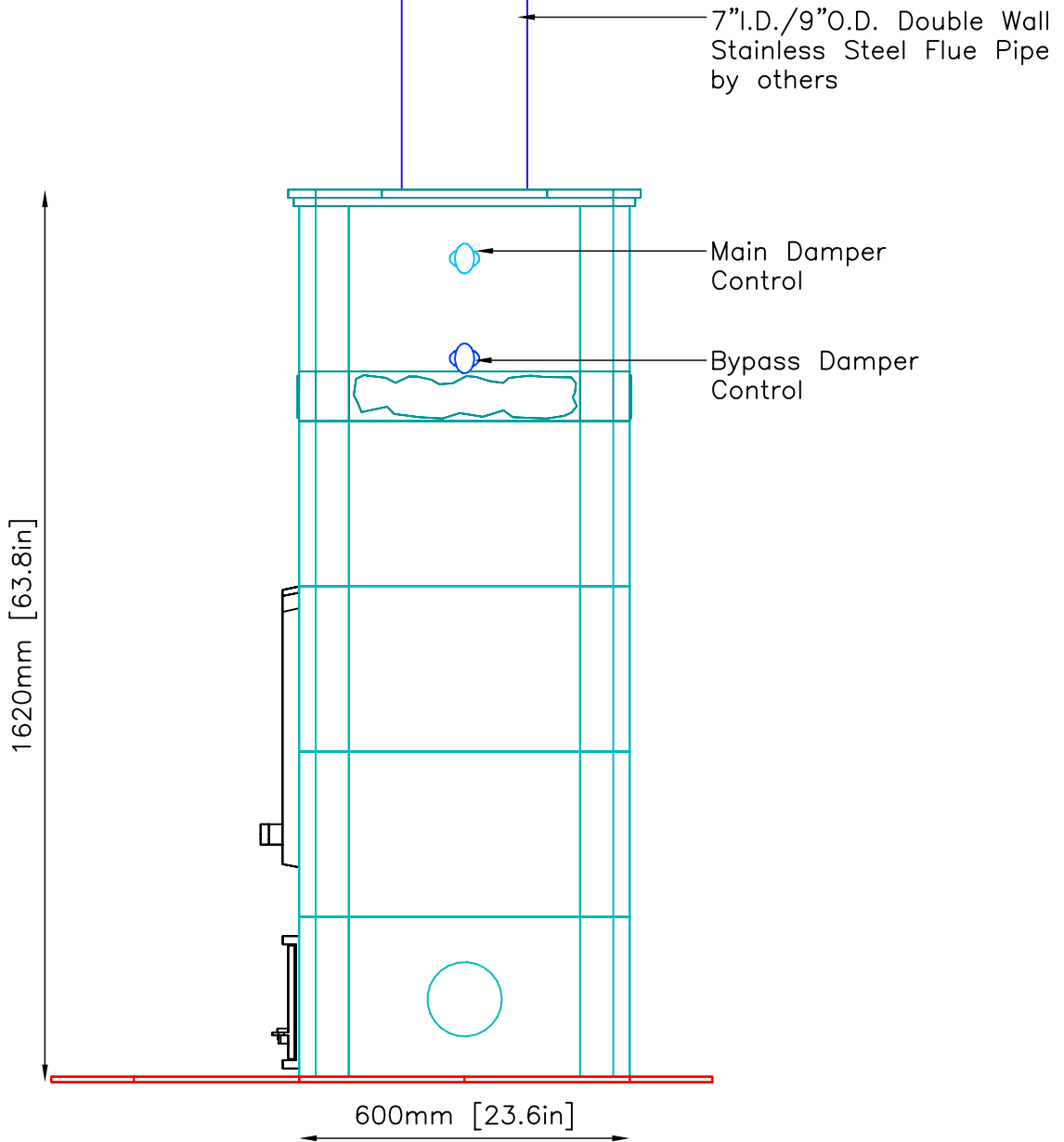
CONTRACT 5649
DRAWN BY D.P.BYRAM

VIEW FRONT
DATE 4/28/04

PAGE 2

SIDE VIEW

INFORMATION ONLY



NOTE: Hearth Tiles CUT AND INSTALLED by others



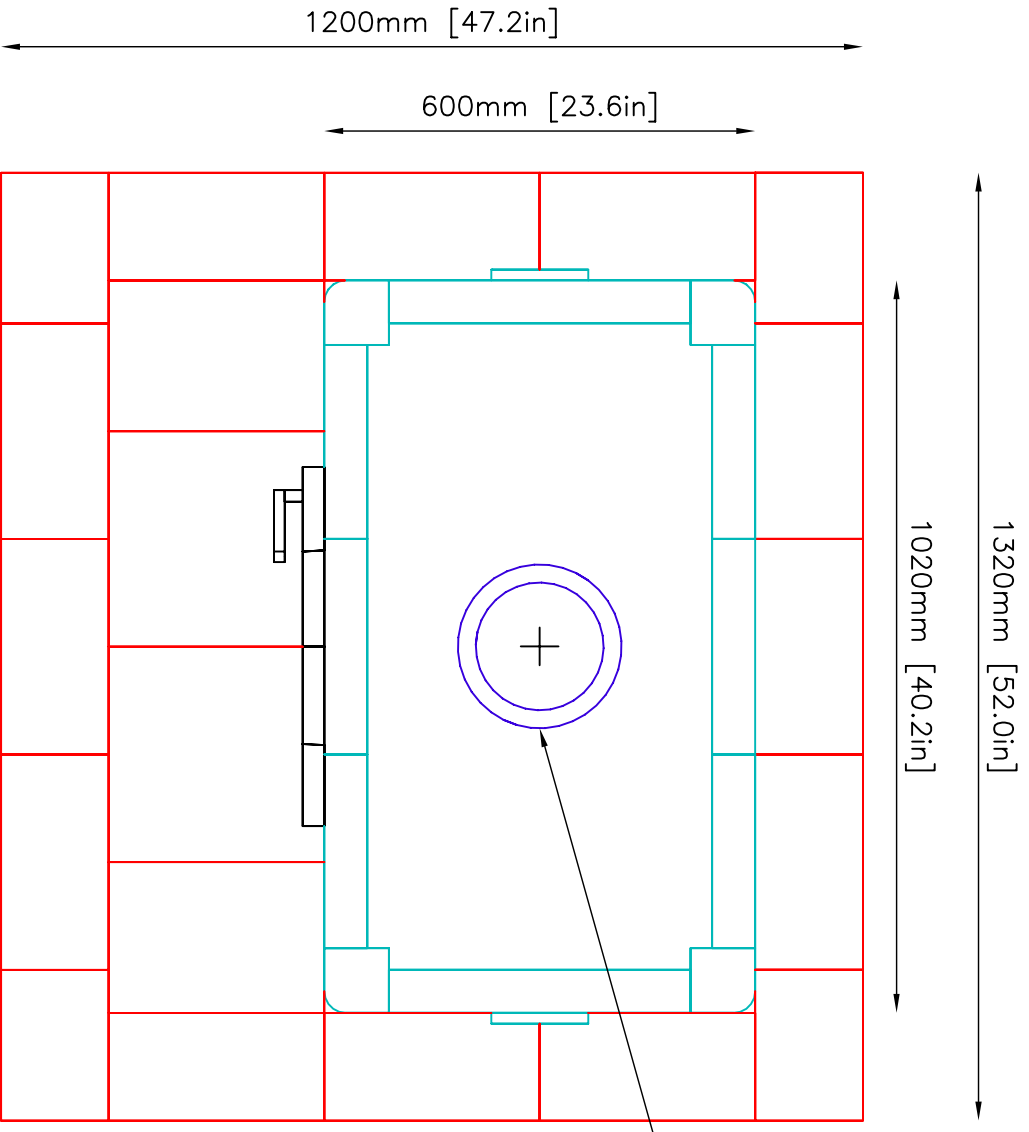
MID-ATLANTIC MASONRY HEAT
1229 Harris Street Suite 1
Charlottesville, VA 22903
(434)979-9709 Fax 434-979-6416

PROJECT RICHARDS
MODEL TU2200

CONTRACT 5649
DRAWN BY D.P.BYRAM

VIEW SIDE
DATE 4/28/04

PAGE 3



NOTE: Hearth Tiles CUT AND INSTALLED by others

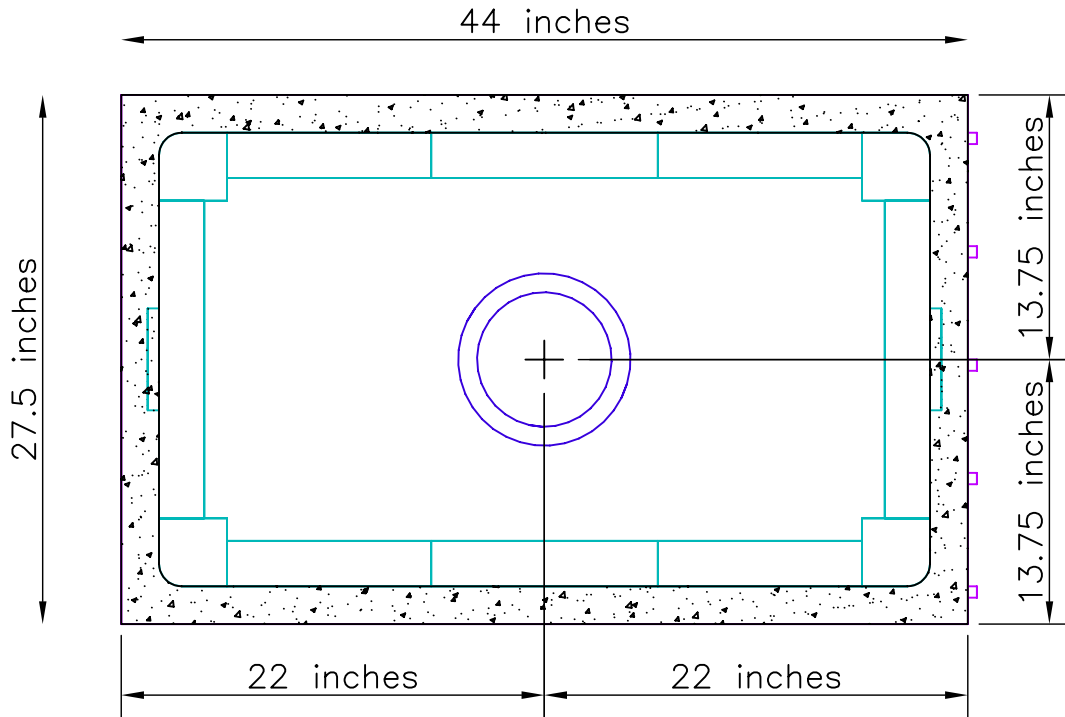
7" I.D./9" O.D. Double Wall
Stainless Steel Flue Pipe
by others
SEE PAGE 5 FOR
FLUE LOCATION

INFORMATION ONLY

	MID-ATLANTIC MASONRY HEAT 1229 Harris Street Suite 1 Charlottesville, VA 22903 (434)979-9709 Fax 434-979-6416	PROJECT	RICHARDS	CONTRACT	5649	VIEW	PLAN	PAGE 4
		MODEL	TU2200	DRAWN BY	D.P.BYRAM	DATE	4/28/04	

FOUNDATION SLAB

Minimum 4" Thick Poured Concrete With Rebar 6"O.C.
 Minimum Dimensions--2" from Base of Unit




INFORMATION ONLY

NOTE:
 TOP OF FOUNDATION SLAB TO BE LEVEL AND FLUSH WITH SUB-FLOOR
 Tolerances: +/- 1/8" No additional cost to level slab
 +/- 1/4" \$150.00-\$200.00 additional cost to level slab
 +/- 1/2" \$500.00 additional cost to level slab

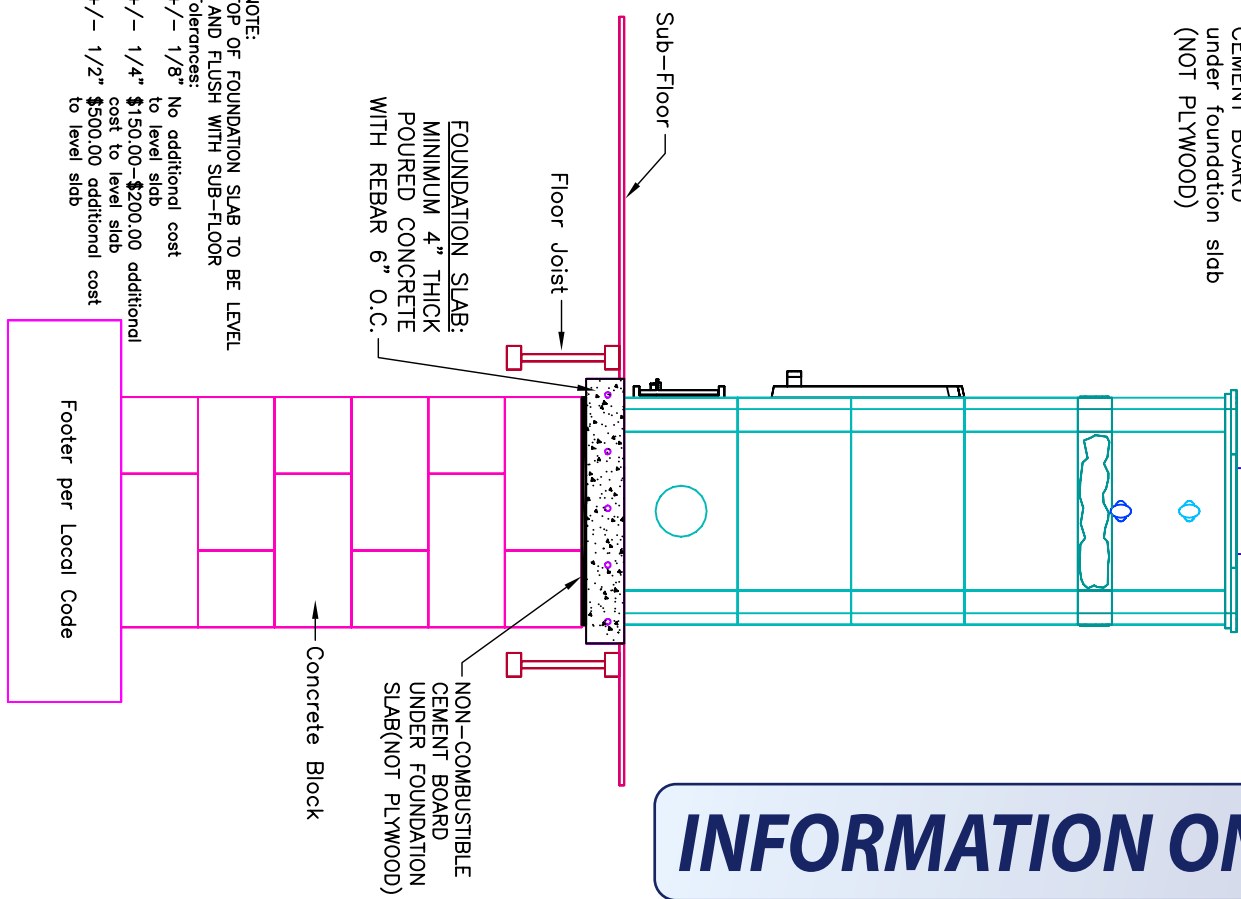
UNIT WEIGHT: 4500lbs.

Owner/Contractor is responsible for engineering Foundation Slab to support weight of fireplace.

TULIKIVI 	MID-ATLANTIC MASONRY HEAT 1229 Harris Street Suite 1 Charlottesville, VA 22903 (434)979-9709 Fax 434-979-6416	PROJECT	RICHARDS	CONTRACT	5649	VIEW	SUPPORT	PAGE 5
		MODEL	TU2200	DRAWN BY	D.P.BYRAM	DATE	4/28/04	

FOUNDATION SLAB:
 * MINIMUM 4" THICK
 WITH REBAR 6" O.C.
 * NON-COMBUSTIBLE
 CEMENT BOARD
 under foundation slab
 (NOT PLYWOOD)

INFORMATION ONLY



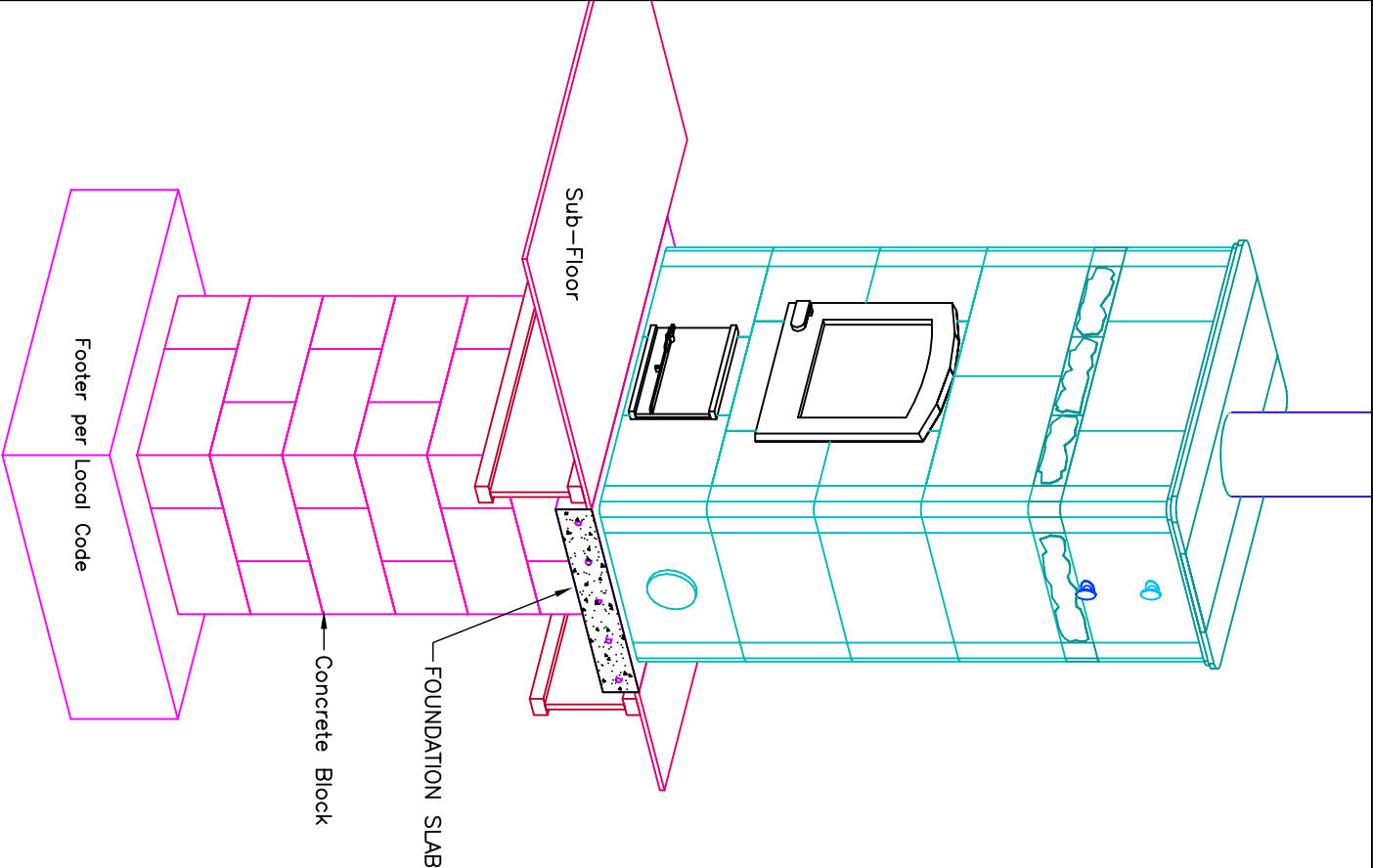
FOUNDATION SLAB:
 MINIMUM 4" THICK
 POURED CONCRETE
 WITH REBAR 6" O.C.

NON-COMBUSTIBLE
 CEMENT BOARD
 UNDER FOUNDATION
 SLAB (NOT PLYWOOD)

NOTE:
 TOP OF FOUNDATION SLAB TO BE LEVEL
 AND FLUSH WITH SUB-FLOOR
 Tolerances:
 +/- 1/8" No additional cost
 to level slab
 +/- 1/4" \$150.00-\$200.00 additional
 cost to level slab
 +/- 1/2" \$500.00 additional cost
 to level slab

Footer per Local Code

UNIT WEIGHT: 4500lbs.
 Owner/Contractor is responsible for engineering Foundation Slab to support weight of fireplace.



MID-ATLANTIC MASONRY HEAT
 McIntire Business Park
 Charlottesville, VA 22903
 (434)979-9709 Fax 434-979-6416

PROJECT RICHARDS CONTRACT 5649
 MODEL TU2200 DRAWN BY D.P.BYRAM

VIEW Foundation Slab
 DATE 4/28/04

PAGE 6