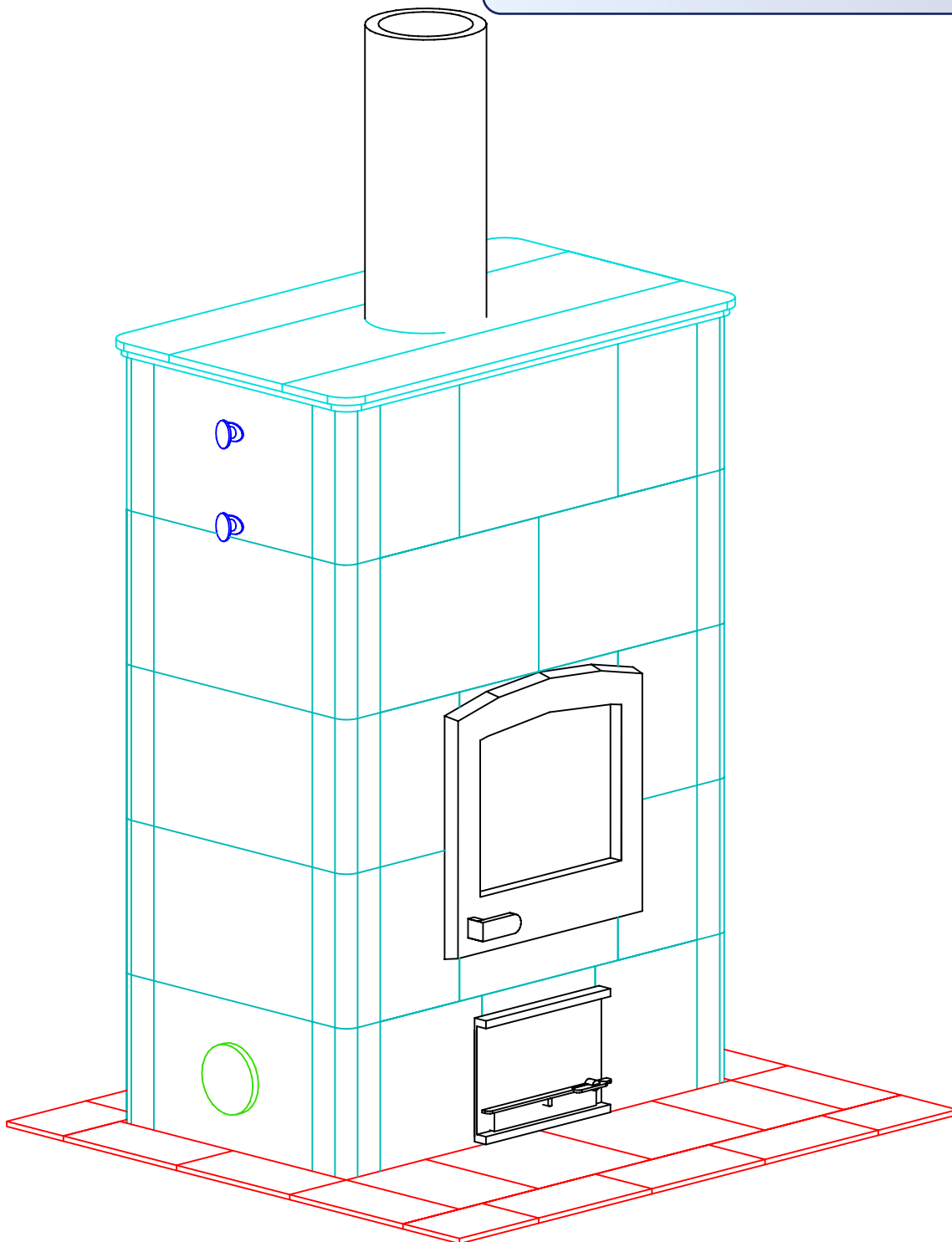


INFORMATION ONLY



NOTE: Hearth Tiles CUT AND INSTALLED by others



MID-ATLANTIC MASONRY HEAT
 McIntire Business Park
 Charlottesville, VA 22903
 (434)979-9709 Fax 434-979-6416

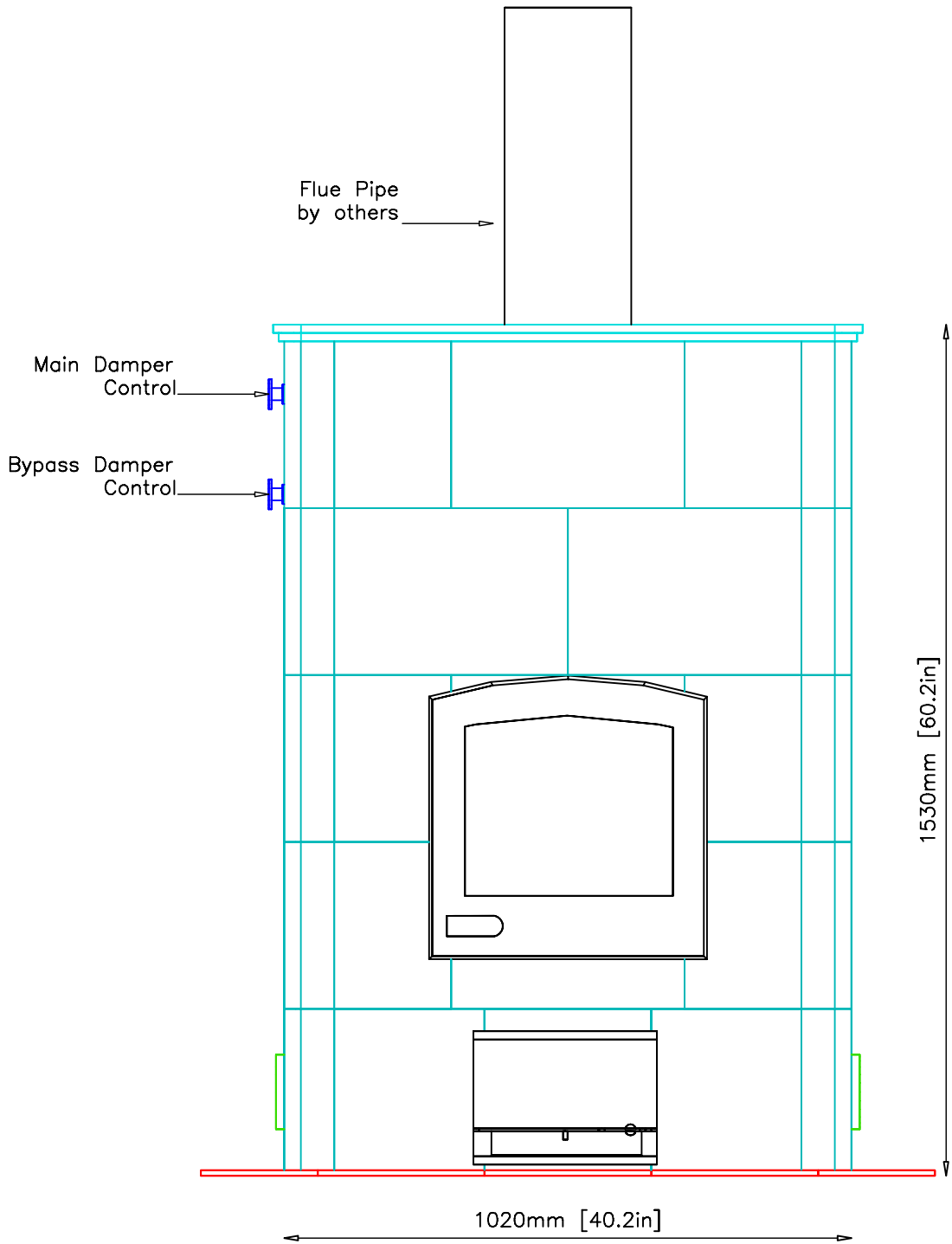
PROJECT STRAUB
 MODEL TU2200 T

CONTRACT
 DRAWN BY D.POWLEY

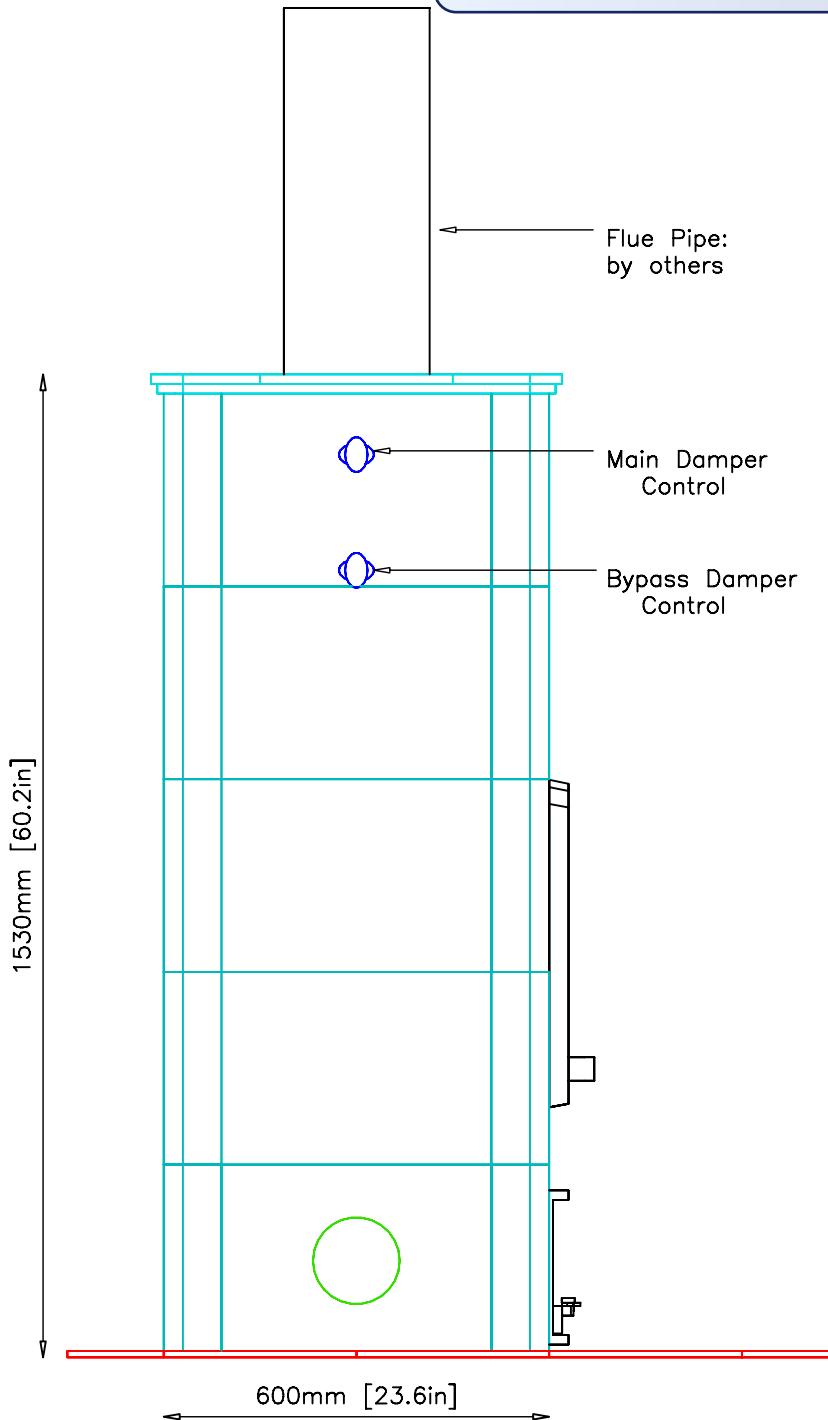
VIEW ISOMETRIC
 DATE 8/15/02

PAGE 1

INFORMATION ONLY

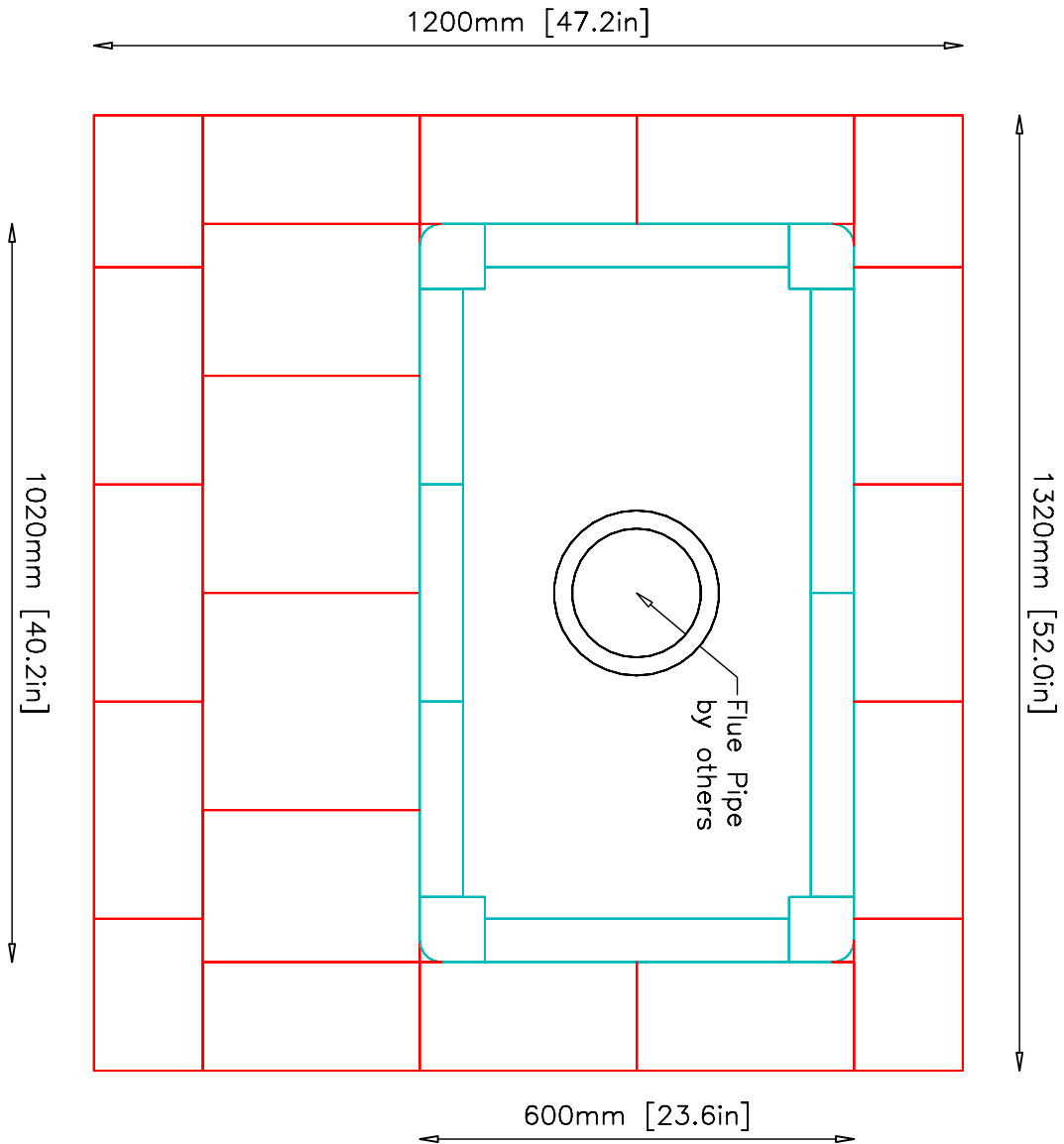


INFORMATION ONLY



INFORMATION ONLY

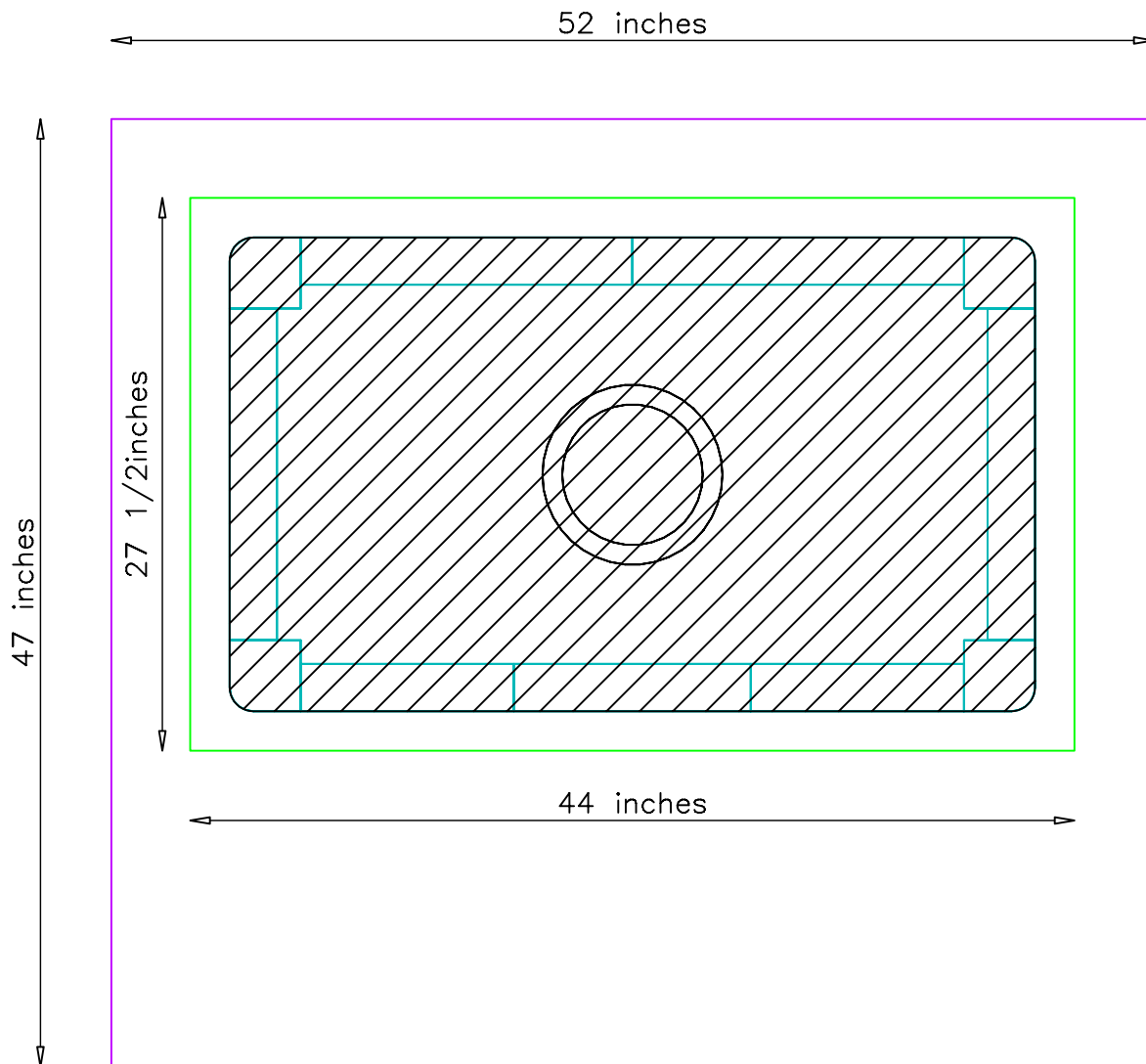
NOTE: Hearth Tiles CUT AND INSTALLED by others



CAPPING SLAB

Recommended Dimensions--Entire Hearth Area 47" x 52"

Minimum Dimensions--2" from Base of Unit 27.5" x 44"



NOTE:
 TOP OF CAPPING SLAB TO BE LEVEL AND FLUSH WITH SUB-FLOOR
 Tolerances: +/- 1/8" No addition cost to adjust slab
 +/- 1/4" \$150.00-\$200.00 additional cost to adjust slab
 +/- 1/2" \$500.00 additional cost to adjust slab

INFORMATION ONLY

UNIT WEIGHT: 6000lbs.
 Contractor is responsible for engineering capping slab to support weight of fireplace.



MID-ATLANTIC MASONRY HEAT
 McIntire Business Park
 Charlottesville, VA 22903
 (434)979-9709 Fax 434-979-6416

PROJECT STRAUB
 MODEL TU2200 T

CONTRACT
 DRAWN BY D.POWLEY

VIEW SUPPORT
 DATE 8/15/02

PAGE 5