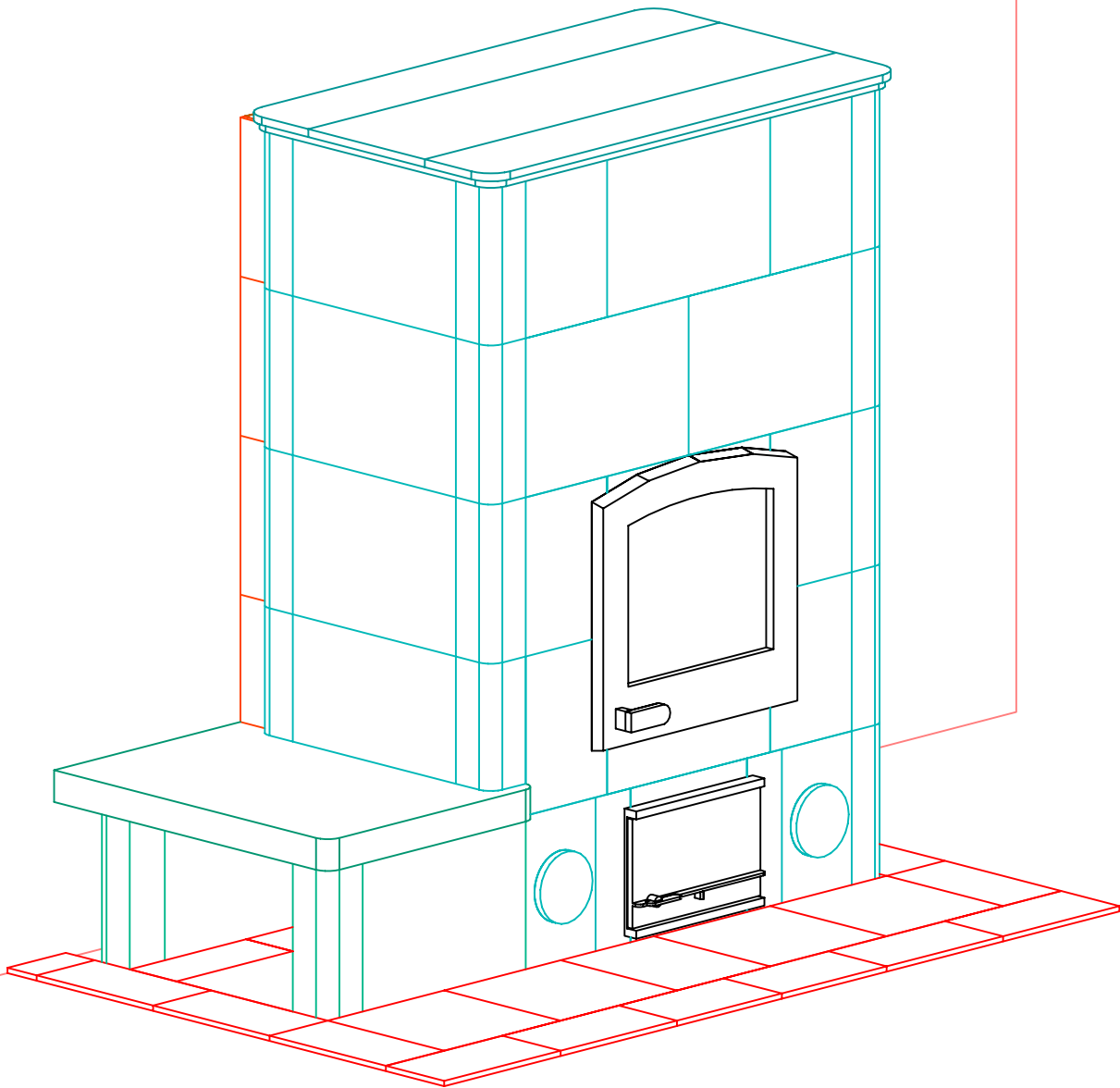


# INFORMATION ONLY



NOTE: Hearth Tiles CUT AND INSTALLED by others



MID-ATLANTIC MASONRY HEAT  
1229 Harris Street Suite 1  
Charlottesville, VA 22903  
(434)979-9709 Fax 434-979-6416

PROJECT WOLFF  
MODEL TU2200

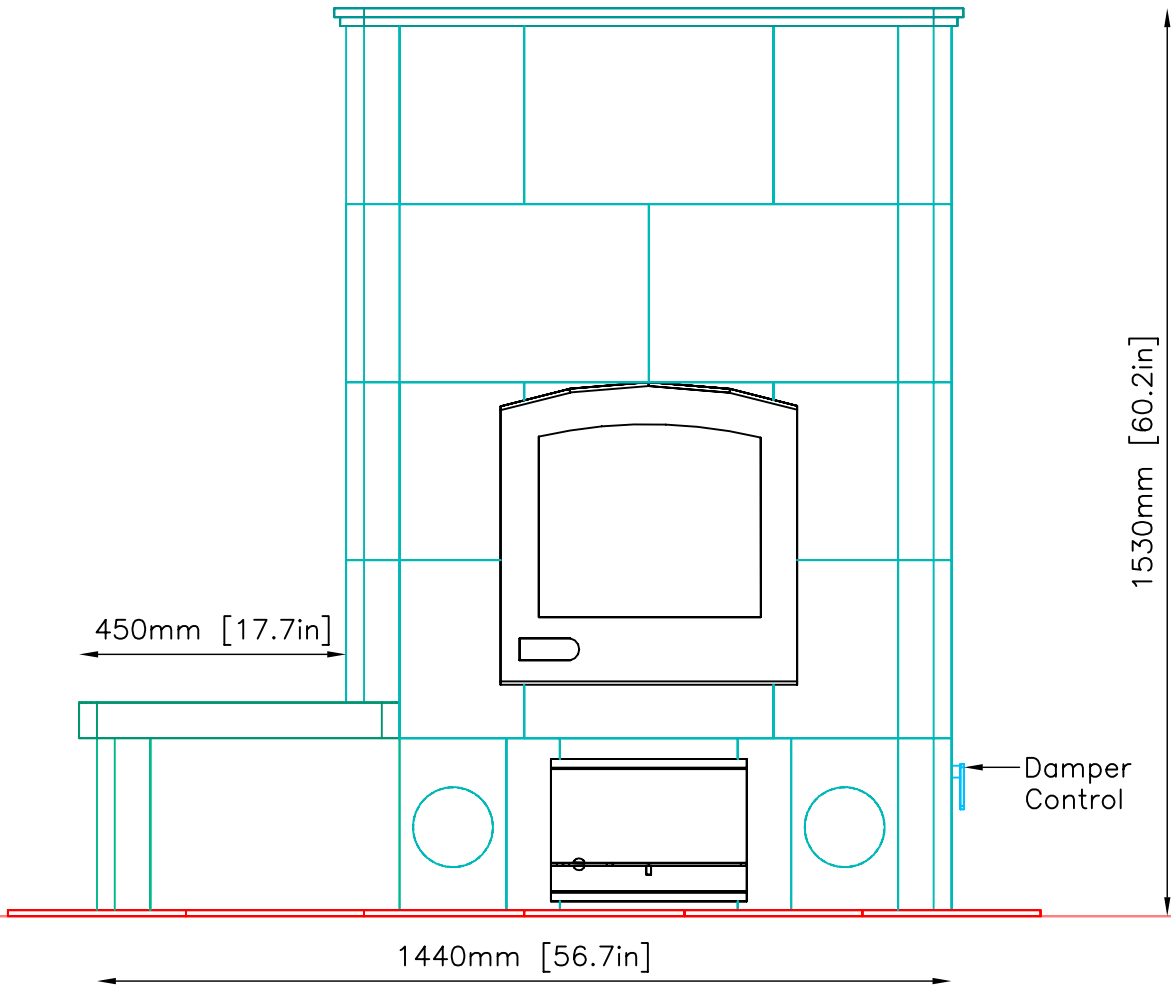
CONTRACT 5616  
DRAWN BY D.P.BYRAM

VIEW PERSPECTIVE  
DATE 1/29/04

PAGE 1

FRONT VIEW

# INFORMATION ONLY



NOTE: Hearth Tiles CUT AND INSTALLED by others



MID-ATLANTIC MASONRY HEAT  
1229 Harris Street Suite 1  
Charlottesville, VA 22903  
(434)979-9709 Fax 434-979-6416

PROJECT WOLFF  
MODEL TU2200

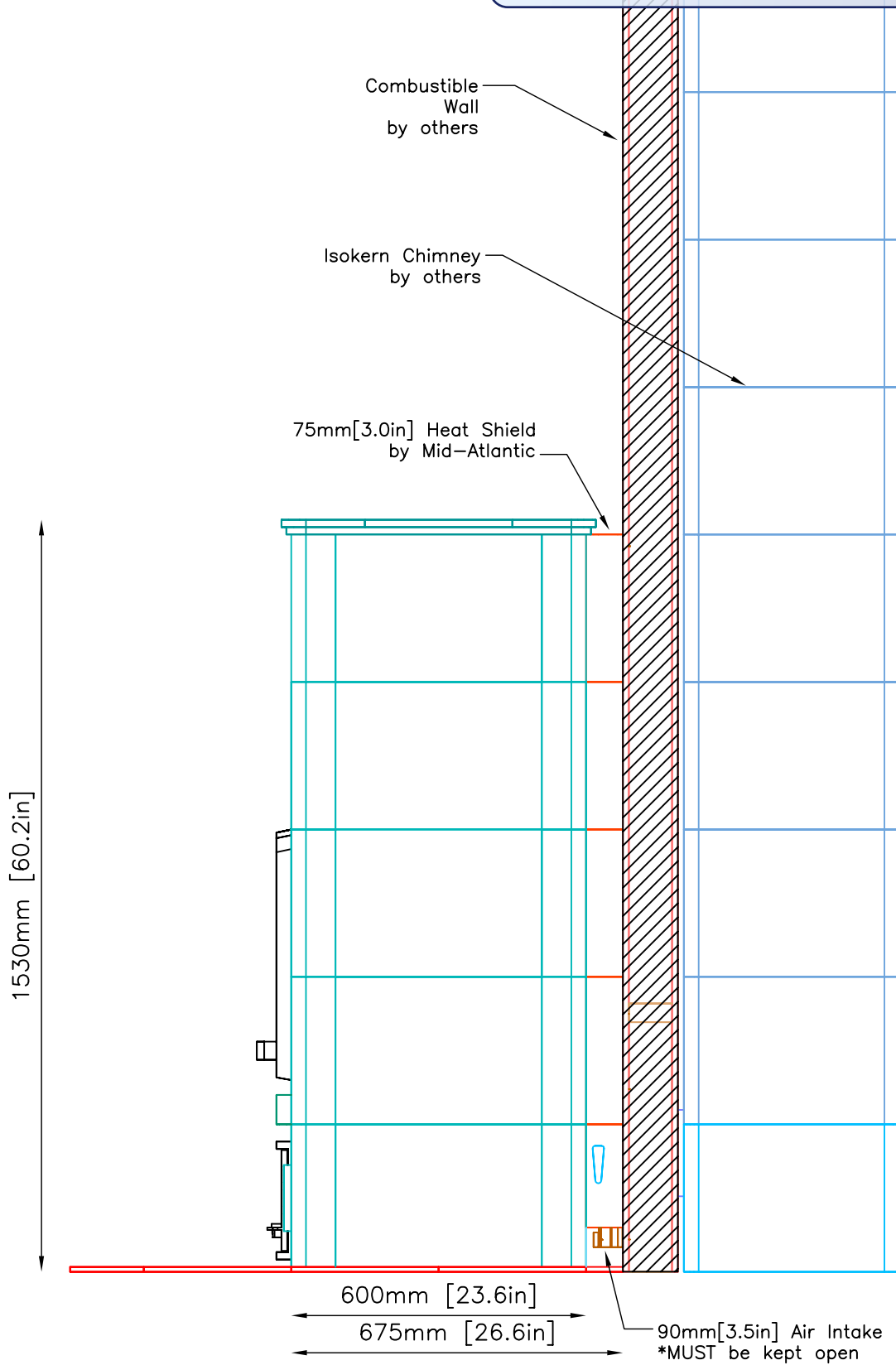
CONTRACT 5616  
DRAWN BY D.P.BYRAM

VIEW FRONT  
DATE 1/29/04

PAGE 2

SIDE VIEW

# INFORMATION ONLY



NOTE: Hearth Tiles CUT AND INSTALLED by others



MID-ATLANTIC MASONRY HEAT  
1229 Harris Street Suite 1  
Charlottesville, VA 22903  
(434)979-9709 Fax 434-979-6416

PROJECT WOLFF  
MODEL TU2200

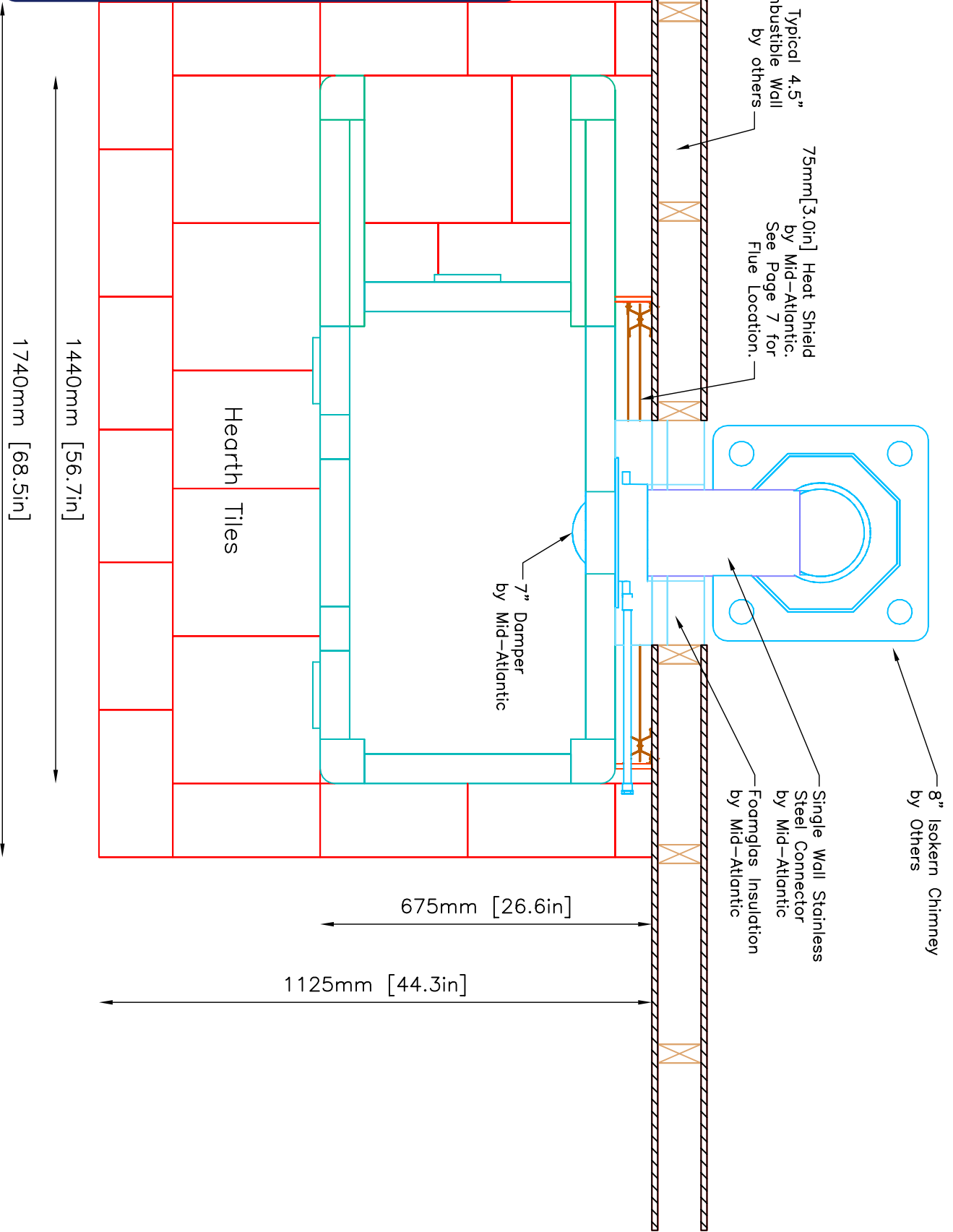
CONTRACT 5616  
DRAWN BY D.P.BYRAM

VIEW SIDE  
DATE 1/29/04

PAGE 3

**INFORMATION ONLY**

NOTE: Hearth Tiles CUT AND INSTALLED by others

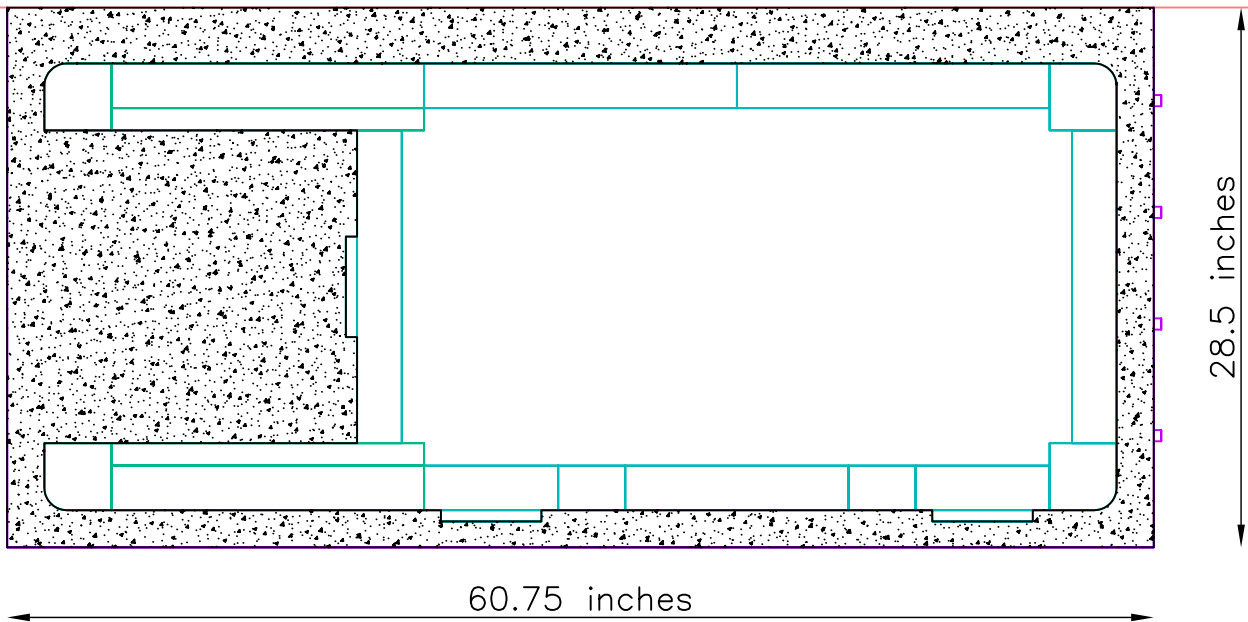


FOUNDATION SLAB

Minimum 4" Thick Poured Concrete With Rebar 6"O.C.  
Minimum Dimensions--2" from Base of Unit

**INFORMATION ONLY**


Combustible Wall



NOTE:  
TOP OF FOUNDATION SLAB TO BE LEVEL AND FLUSH WITH SUB-FLOOR  
Tolerances: +/- 1/8" No additional cost to level slab  
              +/- 1/4" \$150.00-\$200.00 additional cost to level slab  
              +/- 1/2" \$500.00 additional cost to level slab

UNIT WEIGHT: 4100lbs.

Owner/Contractor is responsible for engineering Foundation Slab to support weight of fireplace.

<b>TULIKIVI</b> 	MID-ATLANTIC MASONRY HEAT 1229 Harris Street Suite 1 Charlottesville, VA 22903 (434)979-9709 Fax 434-979-6416	PROJECT	WOLFF	CONTRACT	5616	VIEW	SUPPORT	PAGE 5
		MODEL	TU2200	DRAWN BY	D.P.BYRAM	DATE	1/29/04	

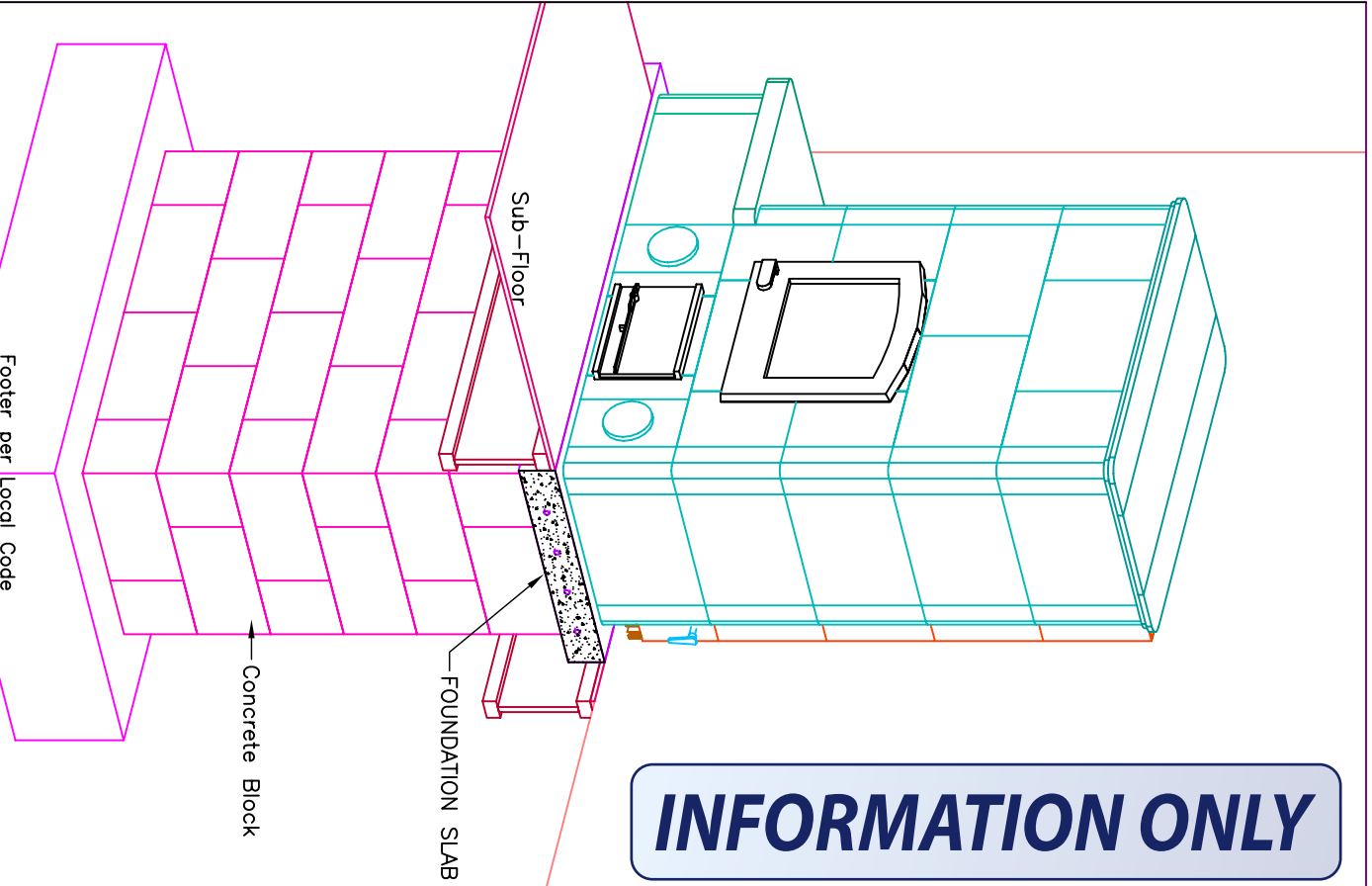
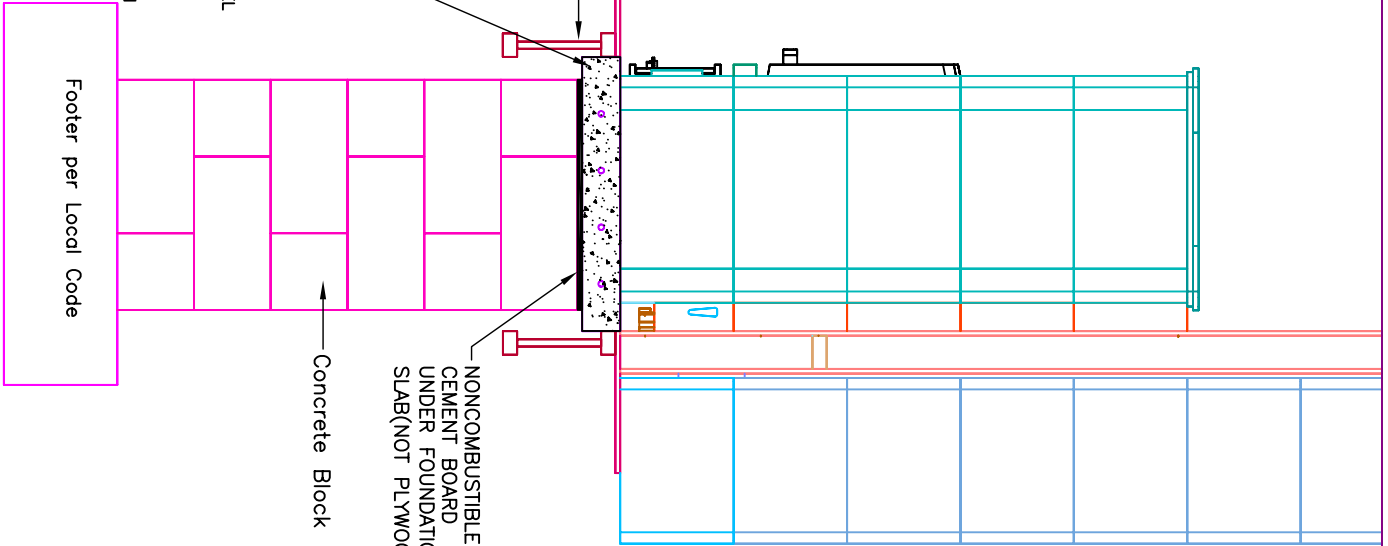
FOUNDATION SLAB:  
 \* MINIMUM 4" THICK  
 WITH REBAR 6" O.C.  
 \* NONCOMBUSTIBLE  
 CEMENT BOARD  
 under foundation slab  
 (NOT PLYWOOD)

FOUNDATION SLAB:  
 MINIMUM 4" THICK  
 POURED CONCRETE  
 WITH REBAR 6" O.C.

NOTE:  
 TOP OF FOUNDATION SLAB TO BE LEVEL  
 AND FLUSH WITH SUB-FLOOR  
 Tolerances:  
 +/- 1/8" No additional cost  
 to level slab  
 +/- 1/4" \$150.00-\$200.00 additional  
 cost to level slab  
 +/- 1/2" \$500.00 additional cost  
 to level slab

UNIT WEIGHT: 4100lbs.

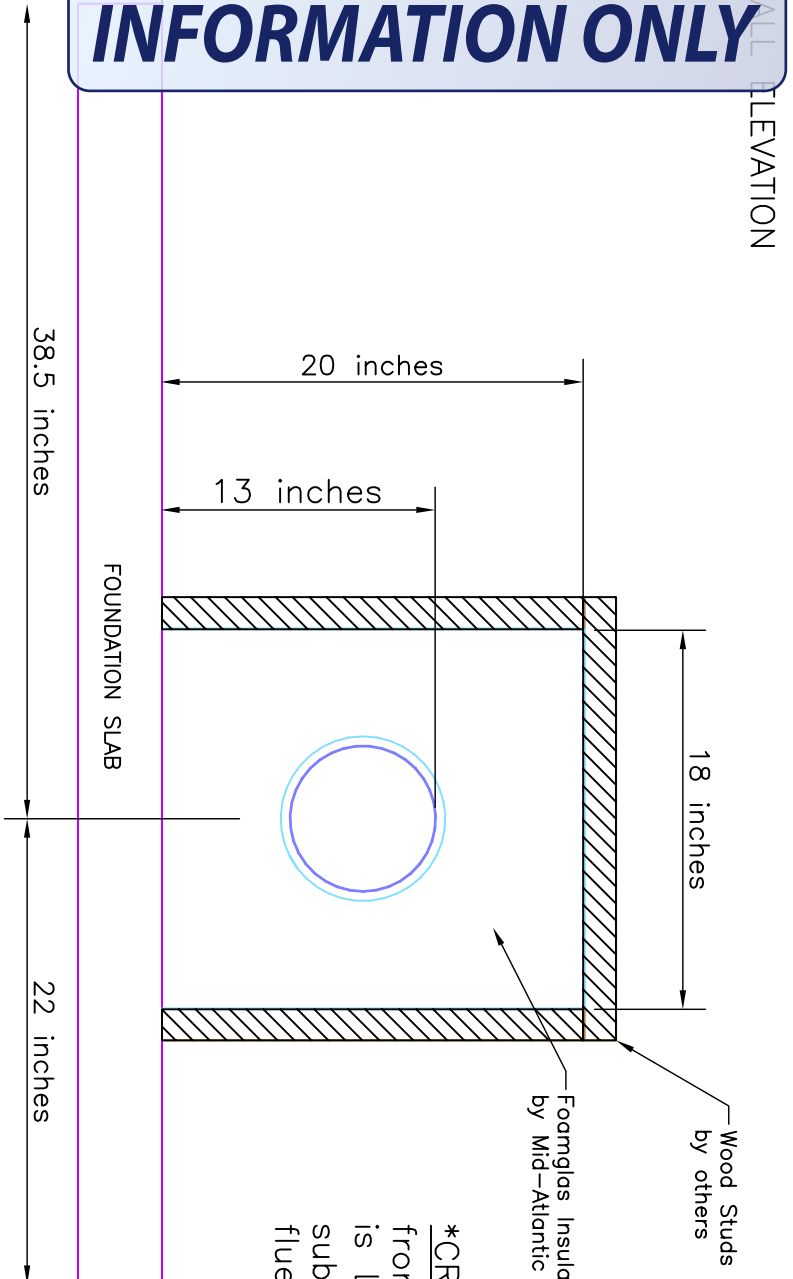
Owner/Contractor is responsible for engineering Foundation Slab  
 to support weight of fireplace.



**INFORMATION ONLY**

# WALL ELEVATION

## INFORMATION ONLY

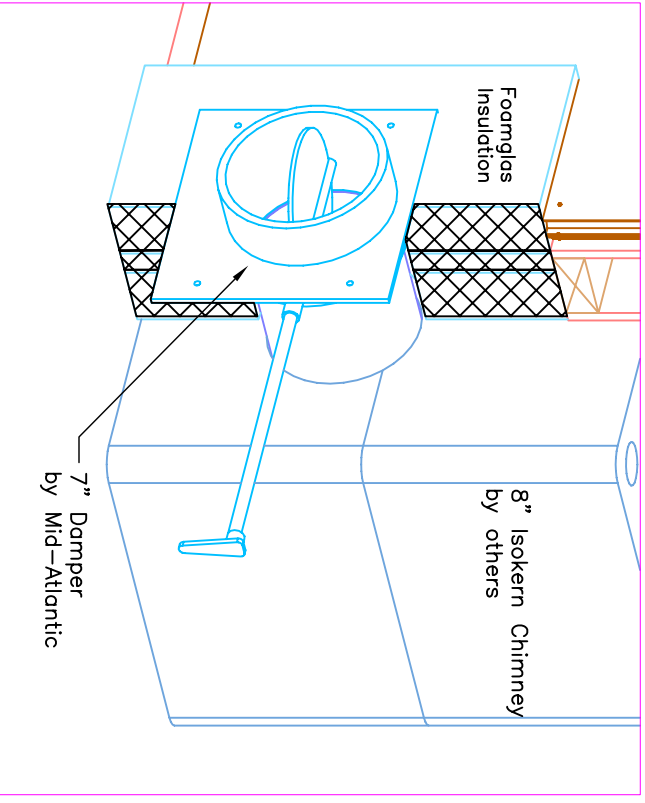


Combustible Wall by others.

Thickness of Finished Floor—Maximum  $\frac{3}{4}$ "  
 If Finished Floor exceeds  $\frac{3}{4}$ " Thickness Mid-Atlantic MUST be contacted for revised specifications.

### Flue Location:

From Right Side of Foundation Slab—22 inches to CENTER of Flue Pipe.



### Notes:

- Sheetrock behind Fireplace MUST be in place PRIOR to installation.
- 18" x 20" Opening MUST be in place PRIOR to installation.
- UL Listed — Minimum Foamglas Insulation 4" on sides & 6" on top of Flue Pipe.
- Chimney Placement
- \*CRITICAL DIMENSION: 13" from Foundation Slab (which is LEVEL & FLUSH with sub-floor) to TOP INSIDE flue pipe.