

Specifications: See Page 1-2

Required Clearances Hearth Extension
Chimney Information Support Information

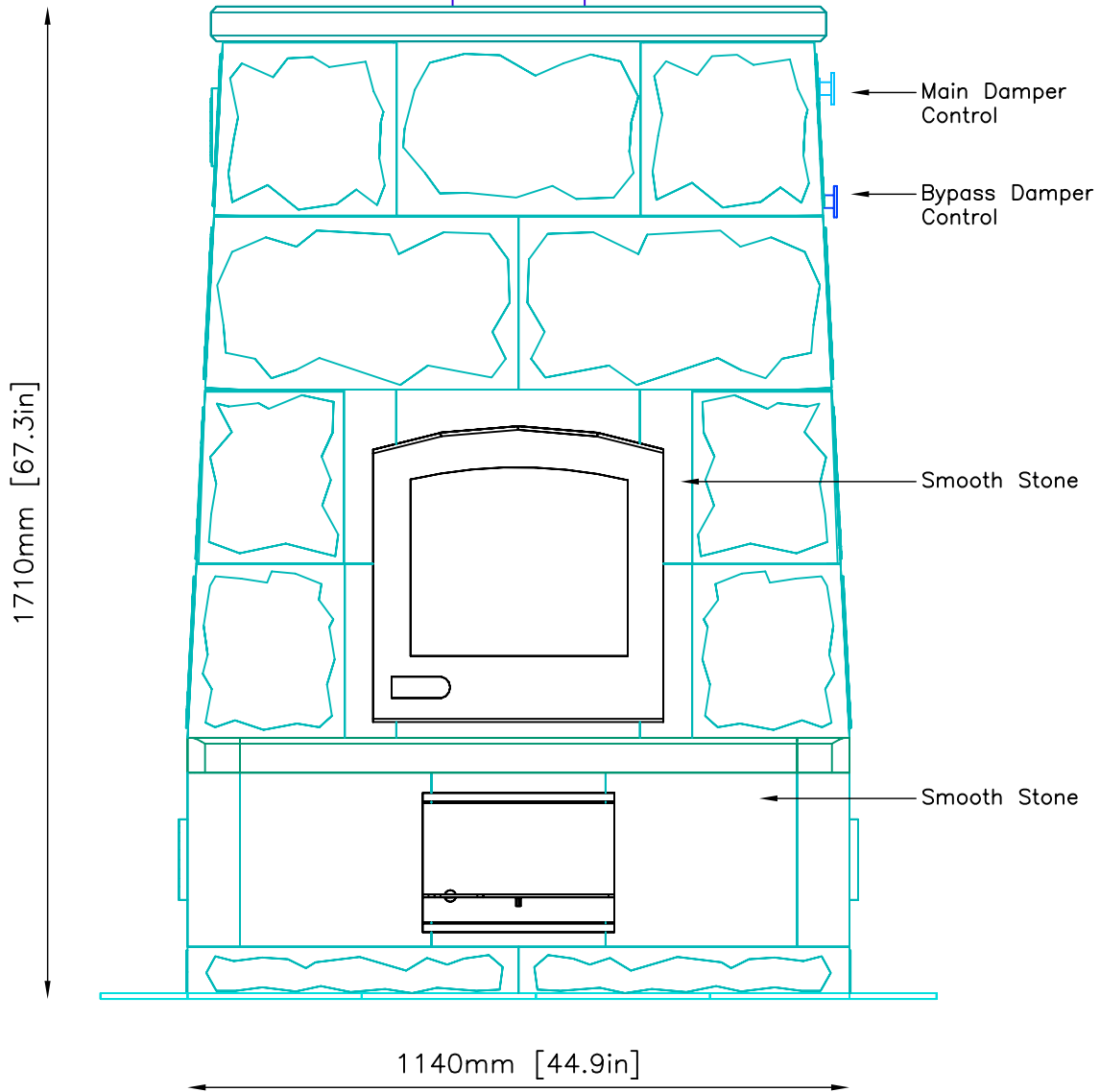


DIXIE LOG HOMES
222 Tanyard Road
Greenville, SC 29609
(864)244-6999 Fax (864)244-7420

PROJECT KLAPPAUF	CONTRACT	VIEW Perspective	PAGE 2
MODEL TU2200	DRAWN BY J.CHAMPION	DATE 05/09/06	

FRONT VIEW

7" I.D. UL103HT Listed Double Wall Black
Flue Pipe by others.
See Pg 1, for specifications



Specifications: See Page 1-2

Required Clearances Hearth Extension
Chimney Information Support Information

INFORMATION ONLY



DIXIE LOG HOMES
222 Tanyard Road
Greenville, SC 29609
(864)244-6999 Fax (864)244-7420

PROJECT KLAPPAUF
MODEL TU2200

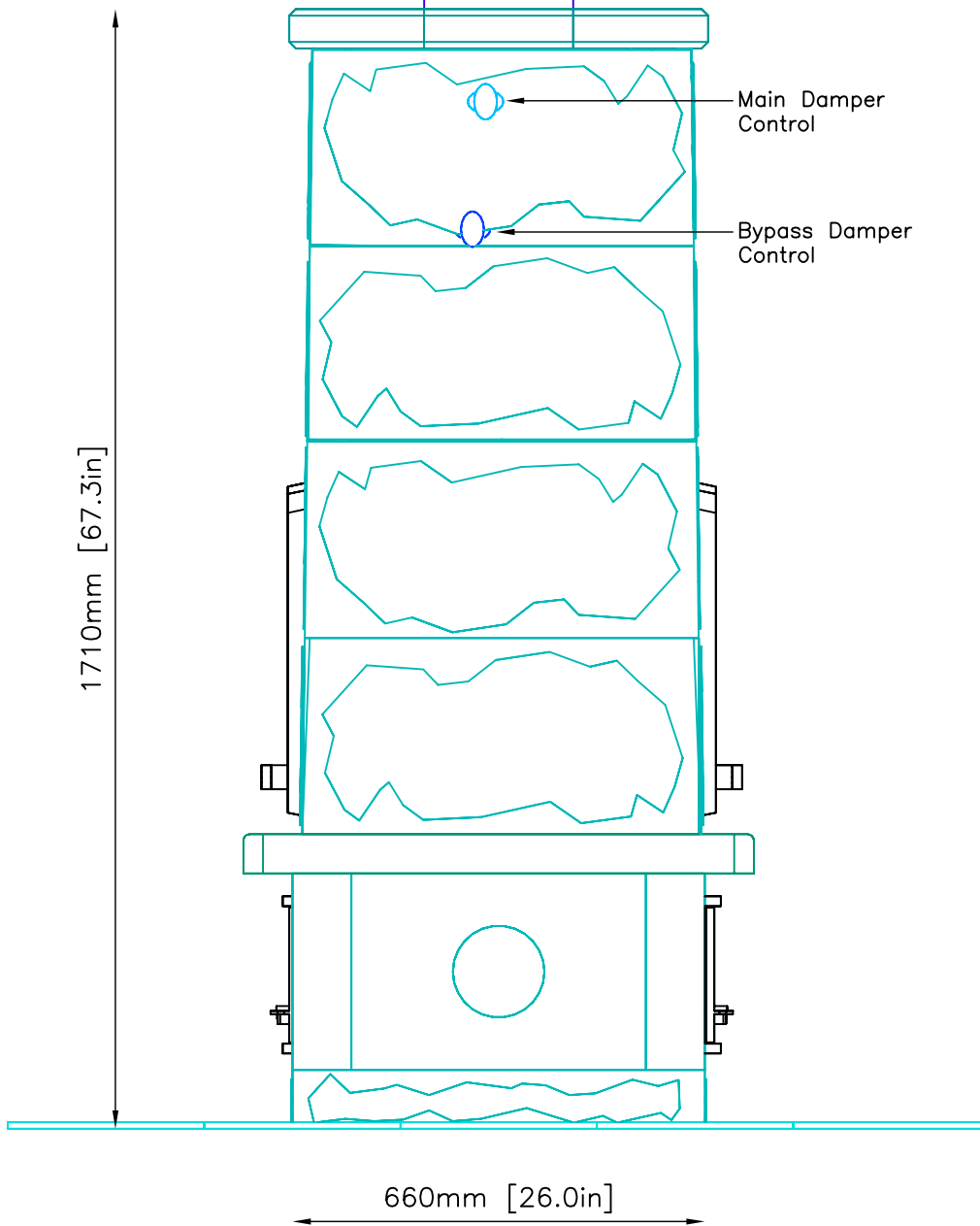
CONTRACT
DRAWN BY J.CHAMPION

VIEW FRONT
DATE 05/09/06

PAGE 3

SIDE VIEW

7" I.D. UL103HT Listed Double Wall Black Flue Pipe by others. See Pg 1, for specifications



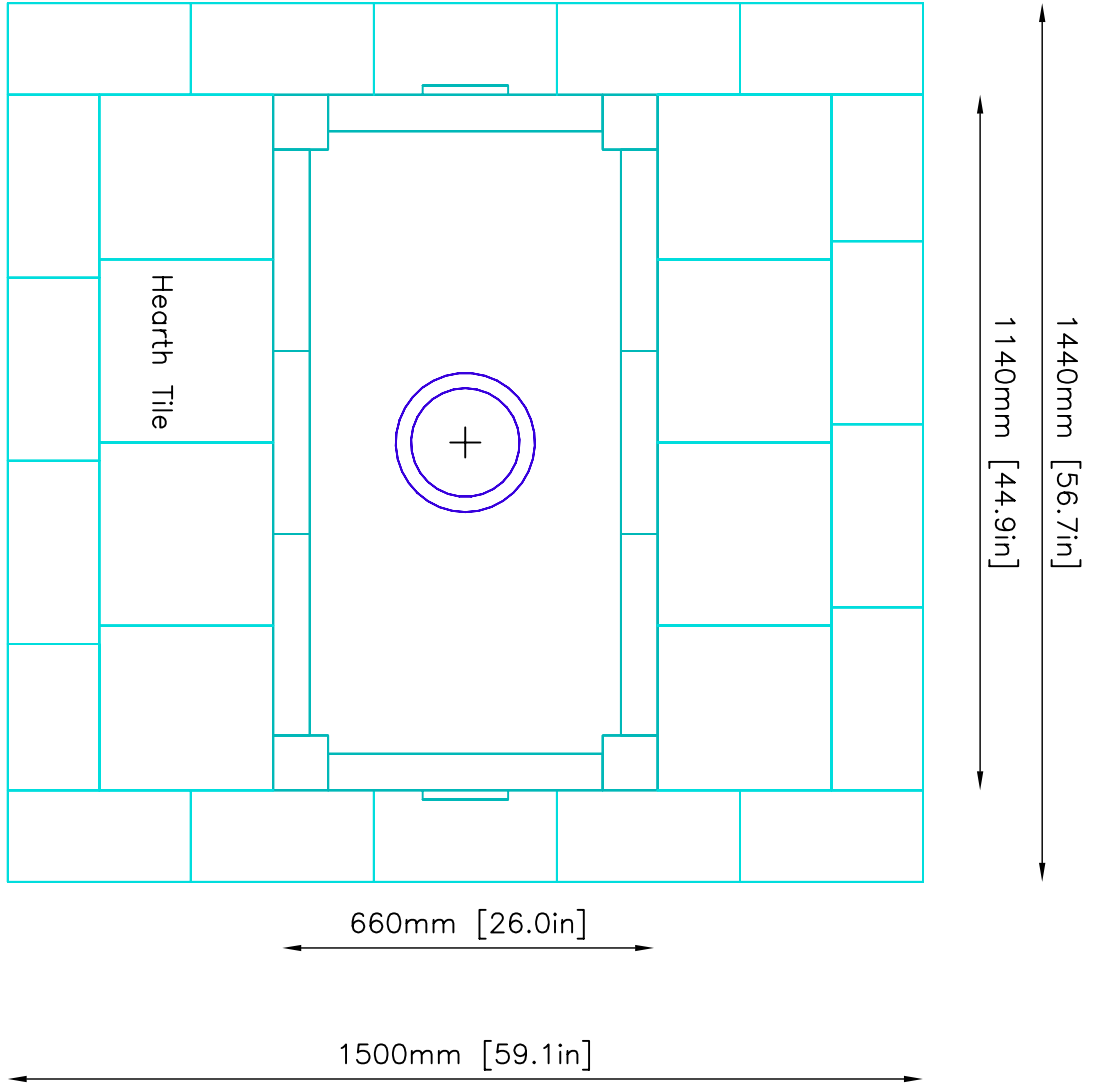
INFORMATION ONLY

Specifications: See Page 1-2
 Required Clearances Hearth Extension
 Chimney Information Support Information



DIXIE LOG HOMES
 222 Tanyard Road
 Greenville, SC 29609
 (864)244-6999 Fax (864)244-7420

PROJECT KLAPPAUF	CONTRACT	VIEW SIDE	PAGE
MODEL TU2200	DRAWN BY J.CHAMPION	DATE 05/09/06	4



Specifications: See Page 1-2
 Required Clearances
 Chimney Information
 Hearth Extension
 Support Information

INFORMATION ONLY



DIXIE LOG HOMES
 222 Tanyard Road
 Greenville, SC 29609
 (864)244-6999 Fax (864)244-7420

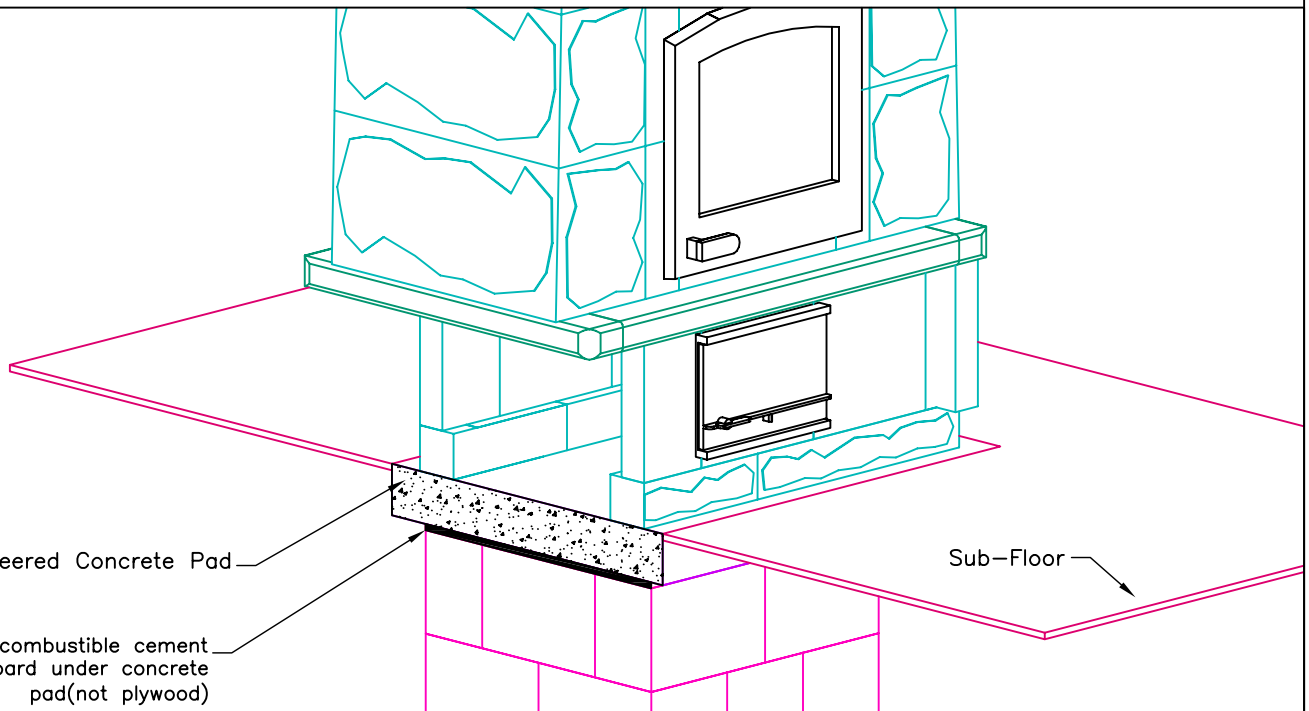
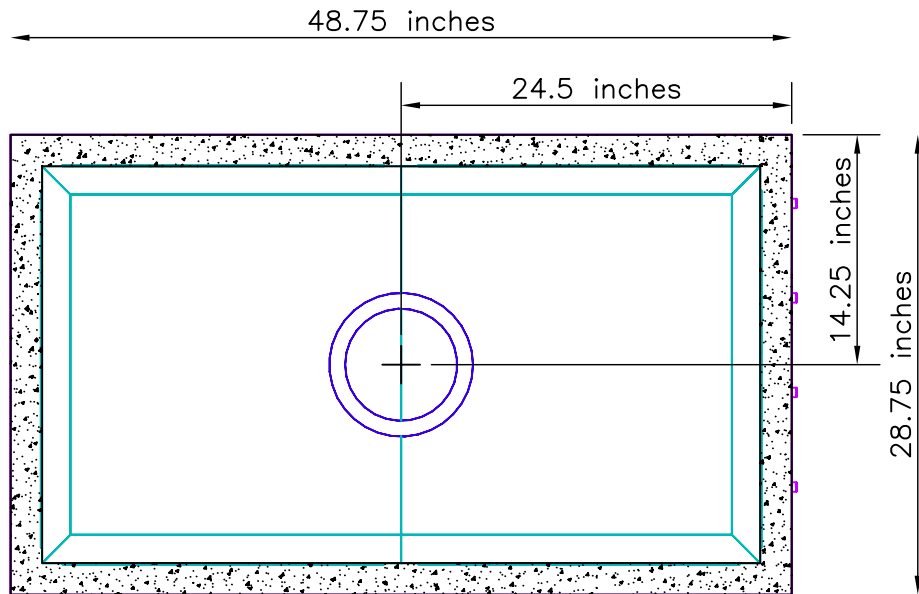
PROJECT
 KLAPPAUF
 MODEL
 TU2200

CONTRACT
 DRAWN BY
 J.CHAMPION

VIEW
 Plan View
 DATE
 05/09/06

PAGE
 5

ENGINEERED CONCRETE PAD—BY OTHERS
 See page 1 for Support Specifications



INFORMATION ONLY

UNIT WEIGHT: XXXX lbs.

Owner/Contractor is responsible for engineering Concrete Pad to support weight of fireplace.



DIXIE LOG HOMES
 222 Tanyard Road
 Greenville, SC 29609
 (864)244-6999 Fax (864)244-7420

PROJECT KLAPPAUF
 MODEL TU2200

CONTRACT
 DRAWN BY J.CHAMPION

VIEW SUPPORT
 DATE 05/09/06

PAGE 6