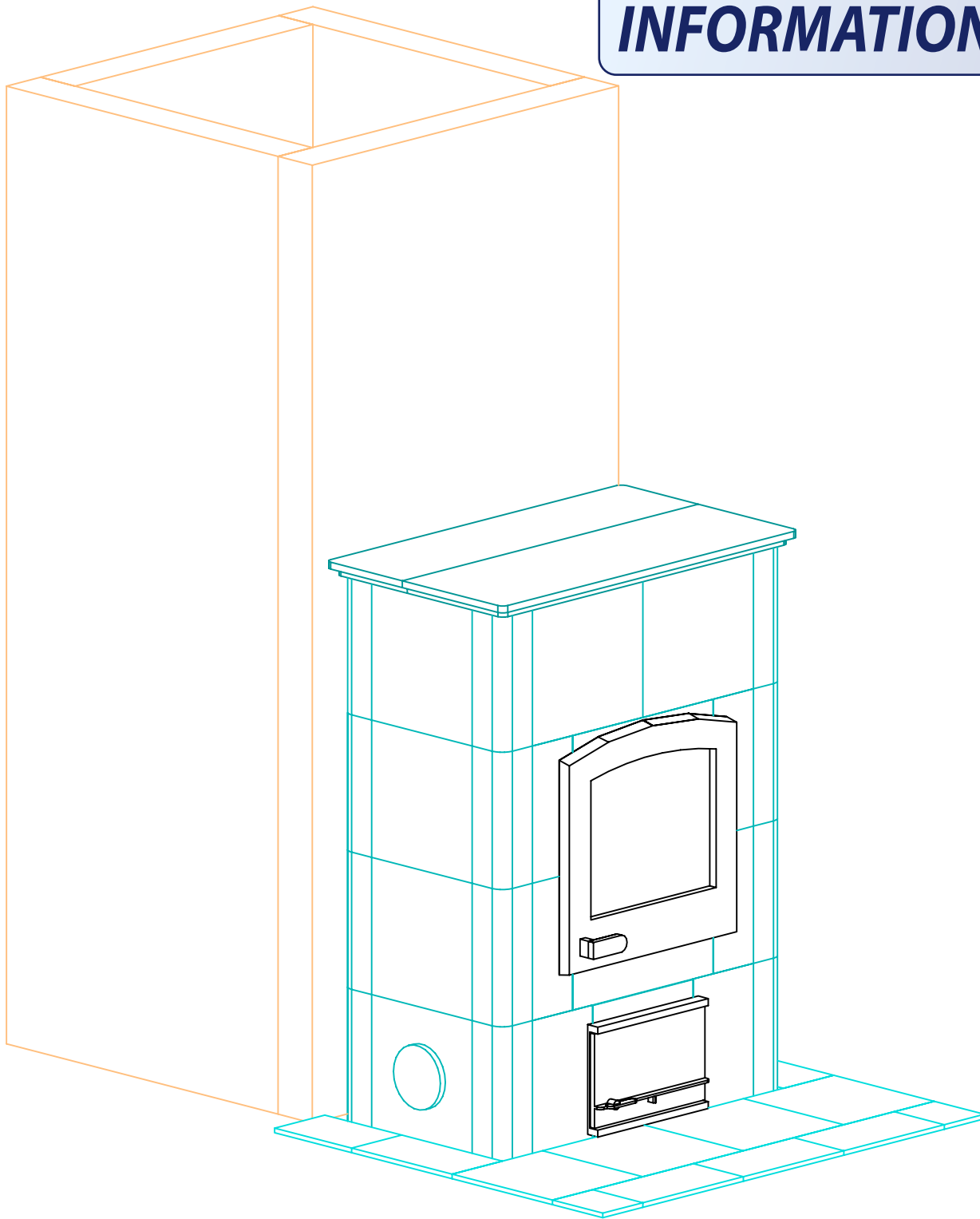


INFORMATION ONLY



NOTE: Hearth Tiles CUT AND INSTALLED by others



MID-ATLANTIC MASONRY HEAT
1229 Harris Street Suite 1
Charlottesville, VA 22903
(434)979-9709 Fax 434-979-6416

PROJECT JEFFERSON
MODEL TU1000

CONTRACT 5671
DRAWN BY D.P.BYRAM

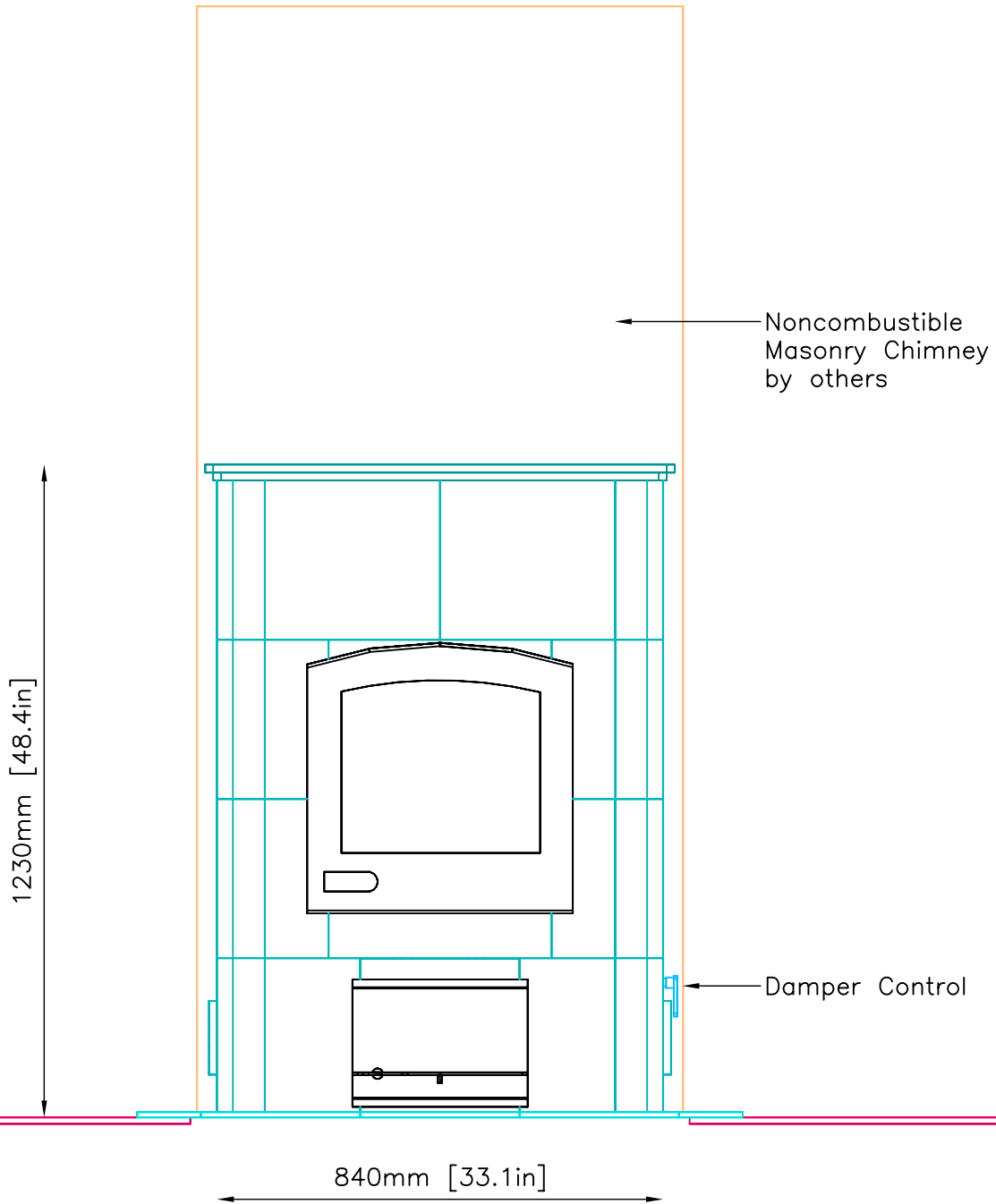
VIEW PERSPECTIVE
DATE 9/28/04

PAGE

1

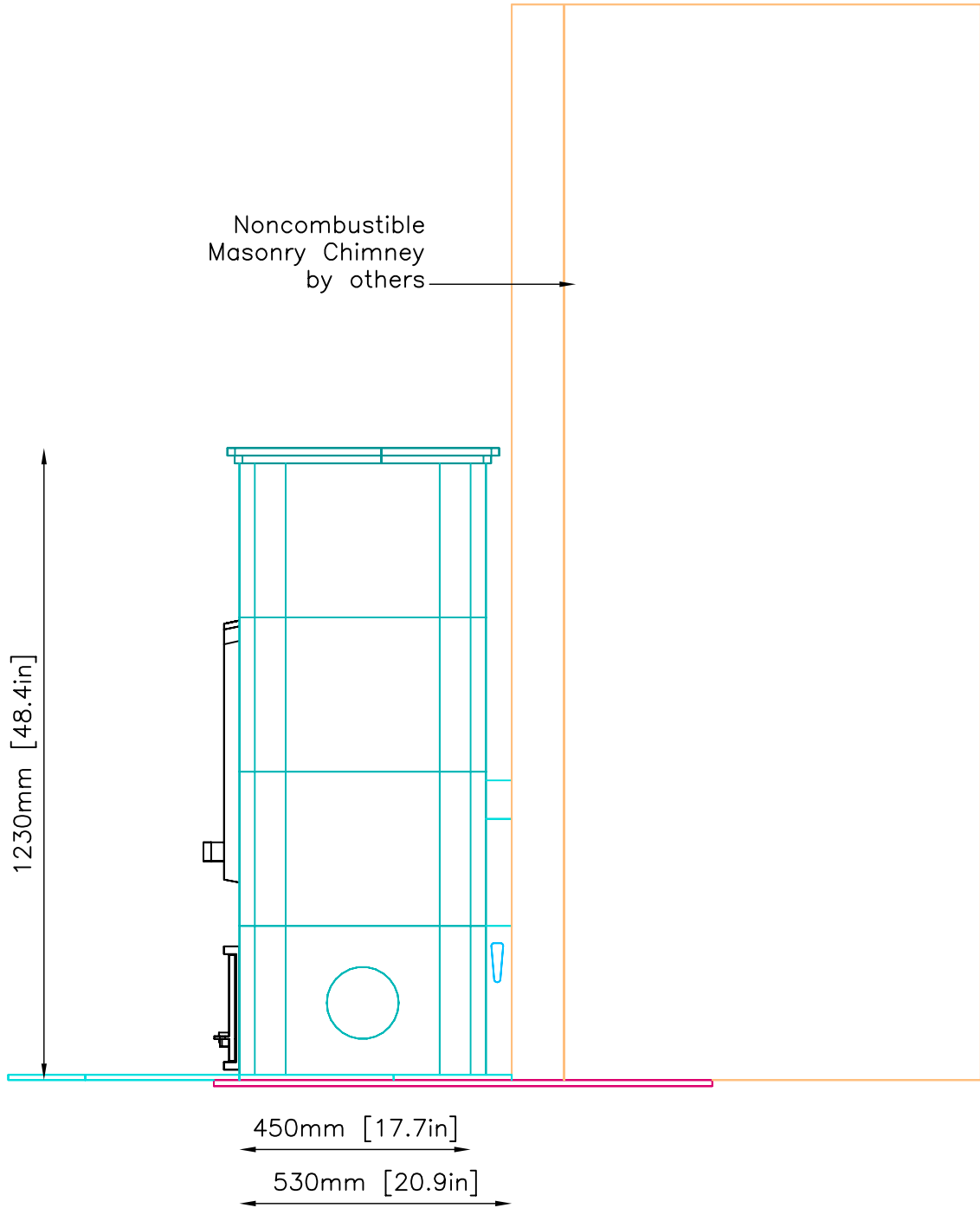
FRONT VIEW

INFORMATION ONLY

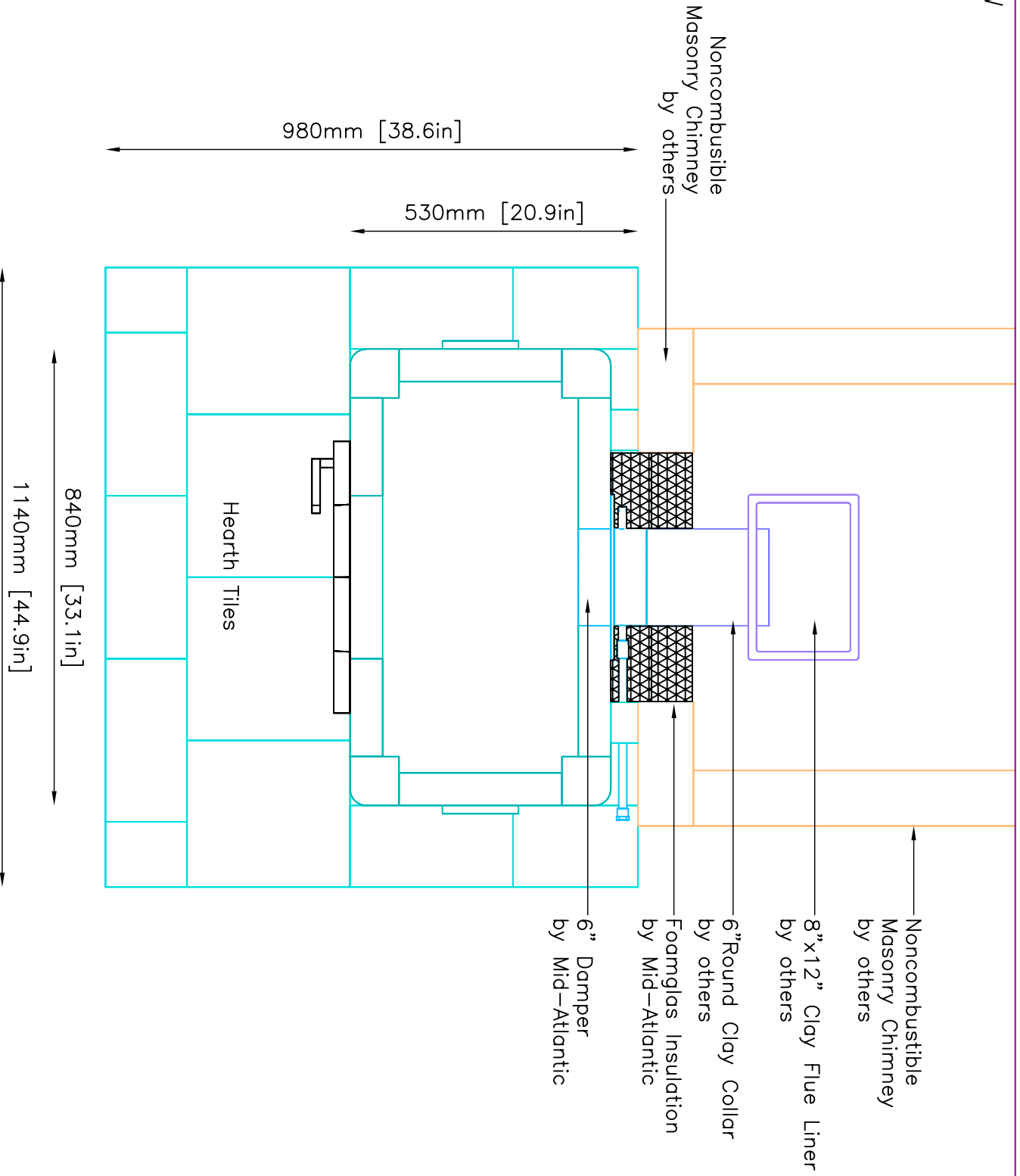


SIDE VIEW

INFORMATION ONLY



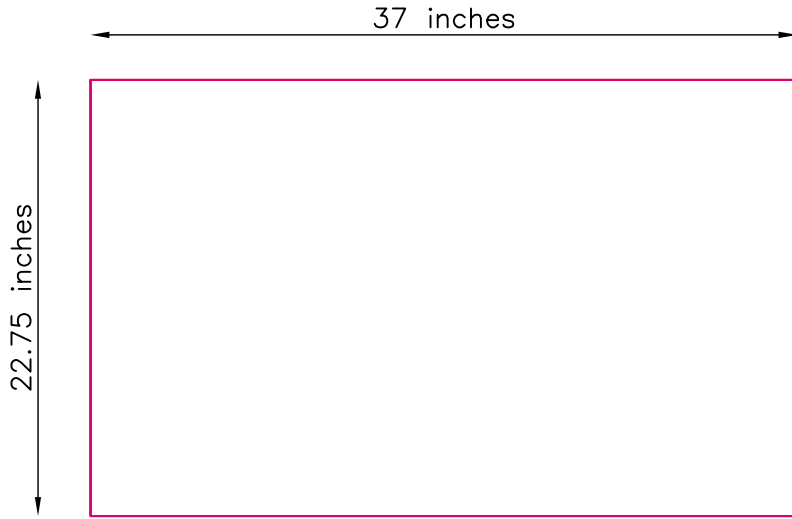
INFORMATION ONLY



NOTE: Hearth Tiles CUT AND INSTALLED by others

STEEL PLATE PEDESTAL
 3/4" STEEL PLATE-BY OTHERS

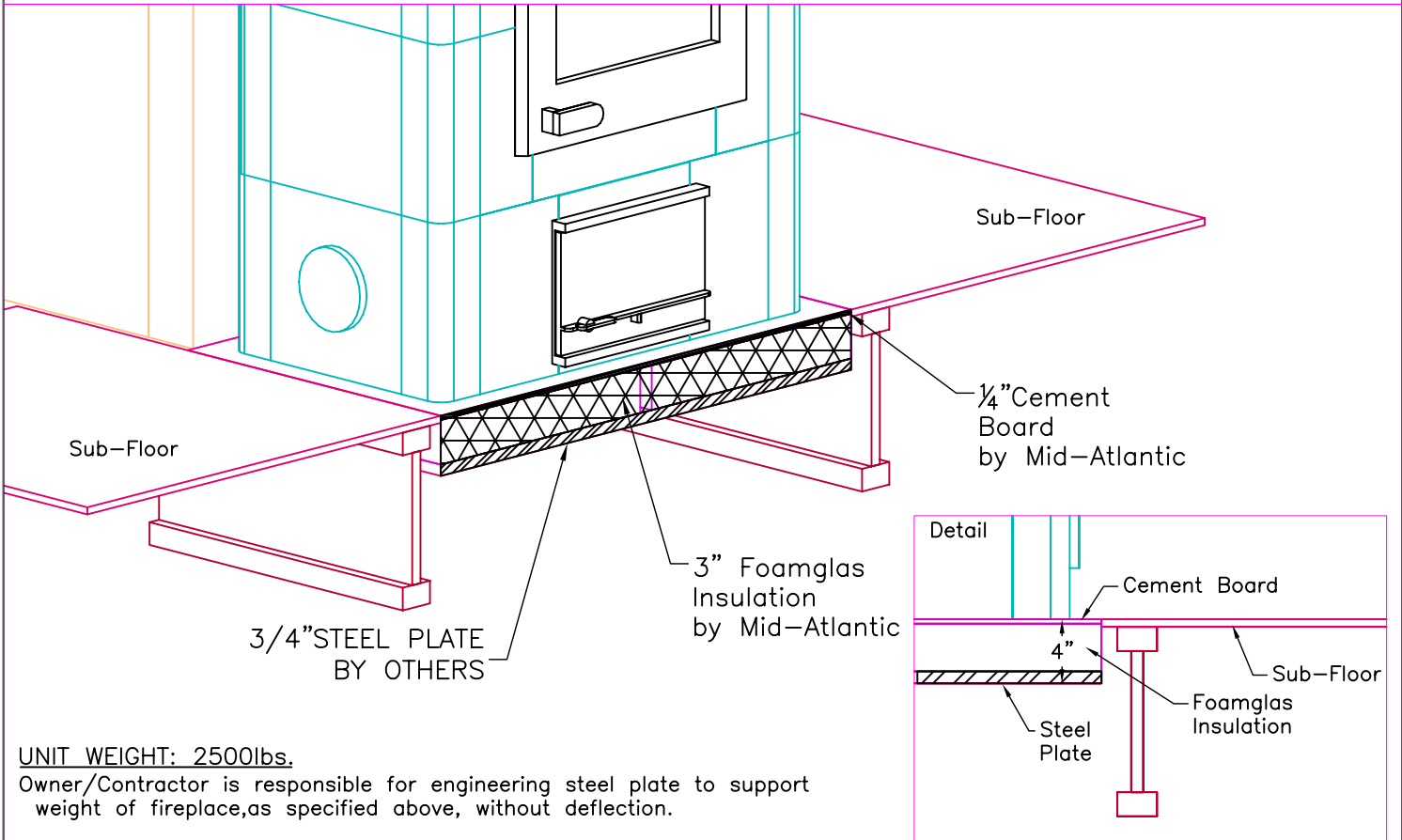
NOTE:
 STEEL PLATE TO BE LEVEL
 Tolerances:
 +/- 1/8" No addition cost to adjust steel plate
 +/- 1/4" \$150.00-\$200.00 additional cost to adjust steel plate
 +/- 1/2" \$500.00 additional cost to adjust steel plate



INFORMATION ONLY

UNIT WEIGHT: 2500lbs.

Owner/Contractor is responsible for engineering steel plate to support weight of fireplace, as specified above, without deflection.



UNIT WEIGHT: 2500lbs.

Owner/Contractor is responsible for engineering steel plate to support weight of fireplace, as specified above, without deflection.



MID-ATLANTIC MASONRY HEAT
 1229 Harris Street Suite 1
 Charlottesville, VA 22903
 (434)979-9709 Fax 434-979-6416

PROJECT JEFFERSON
 MODEL TU1000

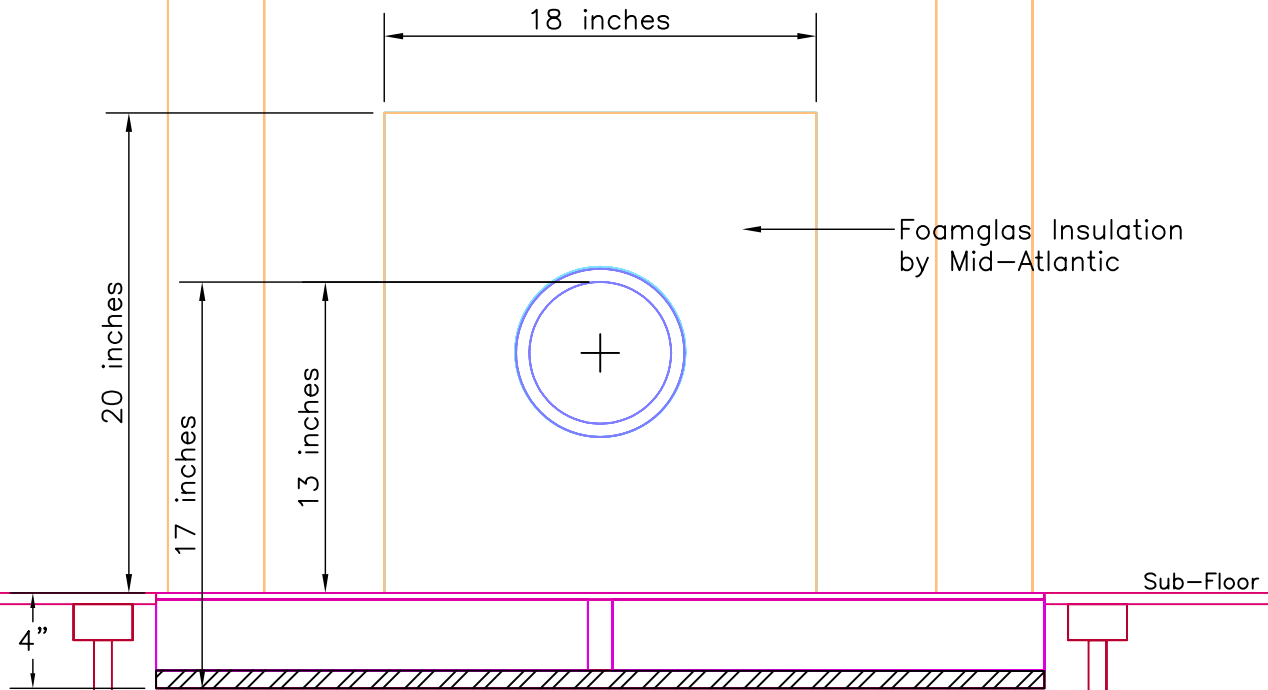
CONTRACT 5671
 DRAWN BY D.P.BYRAM

VIEW SUPPORT
 DATE 9/28/04

PAGE 5

WALL ELEVATION

INFORMATION ONLY



FLUE LOCATION:

Flue Pipe is CENTERED on Steel Plate.
 Flue can be offset up to 4 inches right or left.
 If greater offset is needed contact Mid-Atlantic for revised drawings and installation pricing.

***CRITICAL DIMENSION:**
 17 inches from BOTTOM OF STEEL PLATE PEDESTAL to TOP INSIDE Flue Pipe.

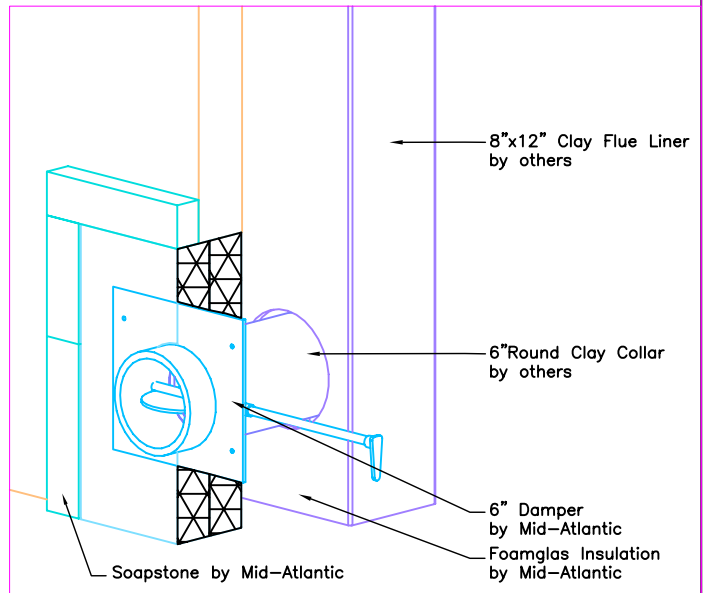
Notes:

18"x24" Opening MUST be in Place Prior to Installation.
 UL Listed - Minimum Foamglas Insulation 4" on sides & 6" on top of Flue Pipe.

Chimney Placement

***CRITICAL DIMENSION:** 17" from BOTTOM OF STEEL PLATE PEDESTAL to TOP INSIDE Flue Pipe.

Thickness of Finished Floor- Maximum 3/4".
 If Finished Floor exceeds 3/4" Thickness Mid-Atlantic MUST be contacted for revised specifications.



MID-ATLANTIC MASONRY HEAT
 1229 Harris Street Suite 1
 Charlottesville, VA 22903
 (434)979-9709 Fax 434-979-6416

PROJECT JEFFERSON
 MODEL TU1000

CONTRACT 5671
 DRAWN BY D.P.BYRAM

VIEW Wall Elevation
 DATE 9/28/04

PAGE 6