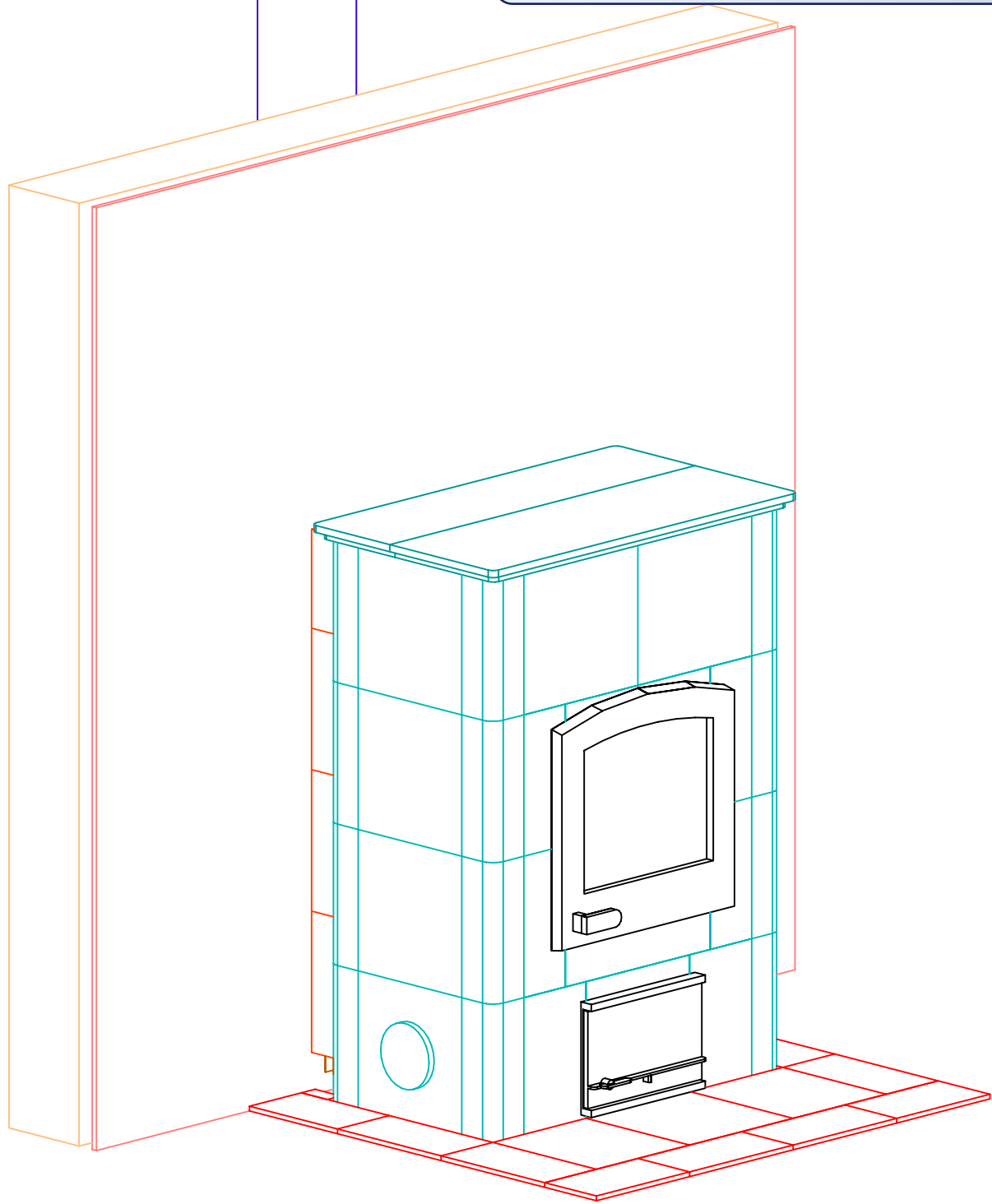


INFORMATION ONLY



NOTE: Hearth Tiles CUT AND INSTALLED by others



MID-ATLANTIC MASONRY HEAT
1229 Harris Street Suite 1
Charlottesville, VA 22903
(434)979-9709 Fax 434-979-6416

PROJECT KELLY
MODEL TU1000

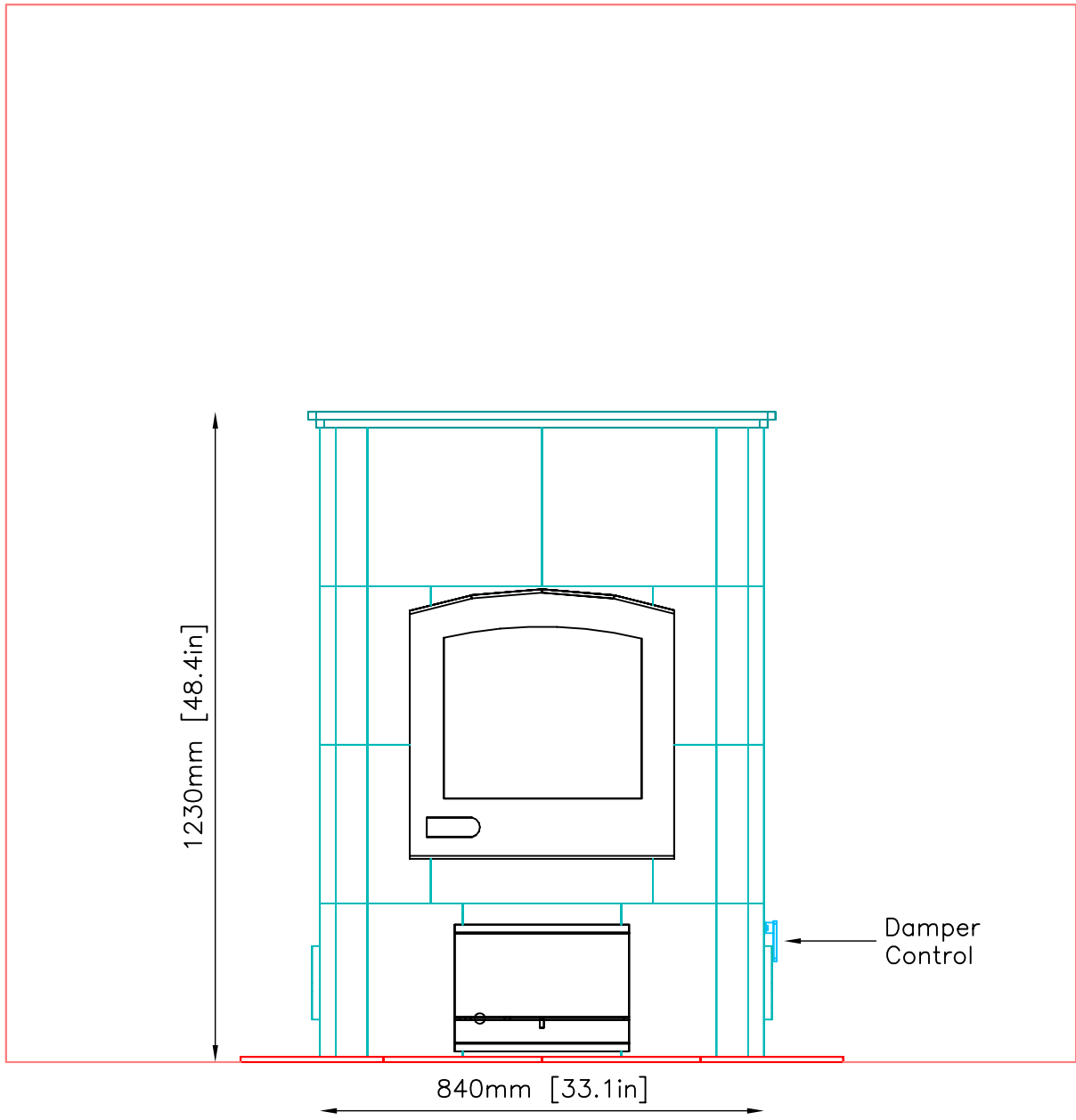
CONTRACT 5630
DRAWN BY T.A. LA BIER

VIEW PERSPECTIVE
DATE 03/18/04

PAGE 1

FRONT VIEW

INFORMATION ONLY



NOTE: Hearth Tiles CUT AND INSTALLED by others



MID-ATLANTIC MASONRY HEAT
1229 Harris Street Suite 1
Charlottesville, VA 22903
(434)979-9709 Fax 434-979-6416

PROJECT
KELLY
MODEL
TU1000

CONTRACT
5630
DRAWN BY
T.A. LA BIER

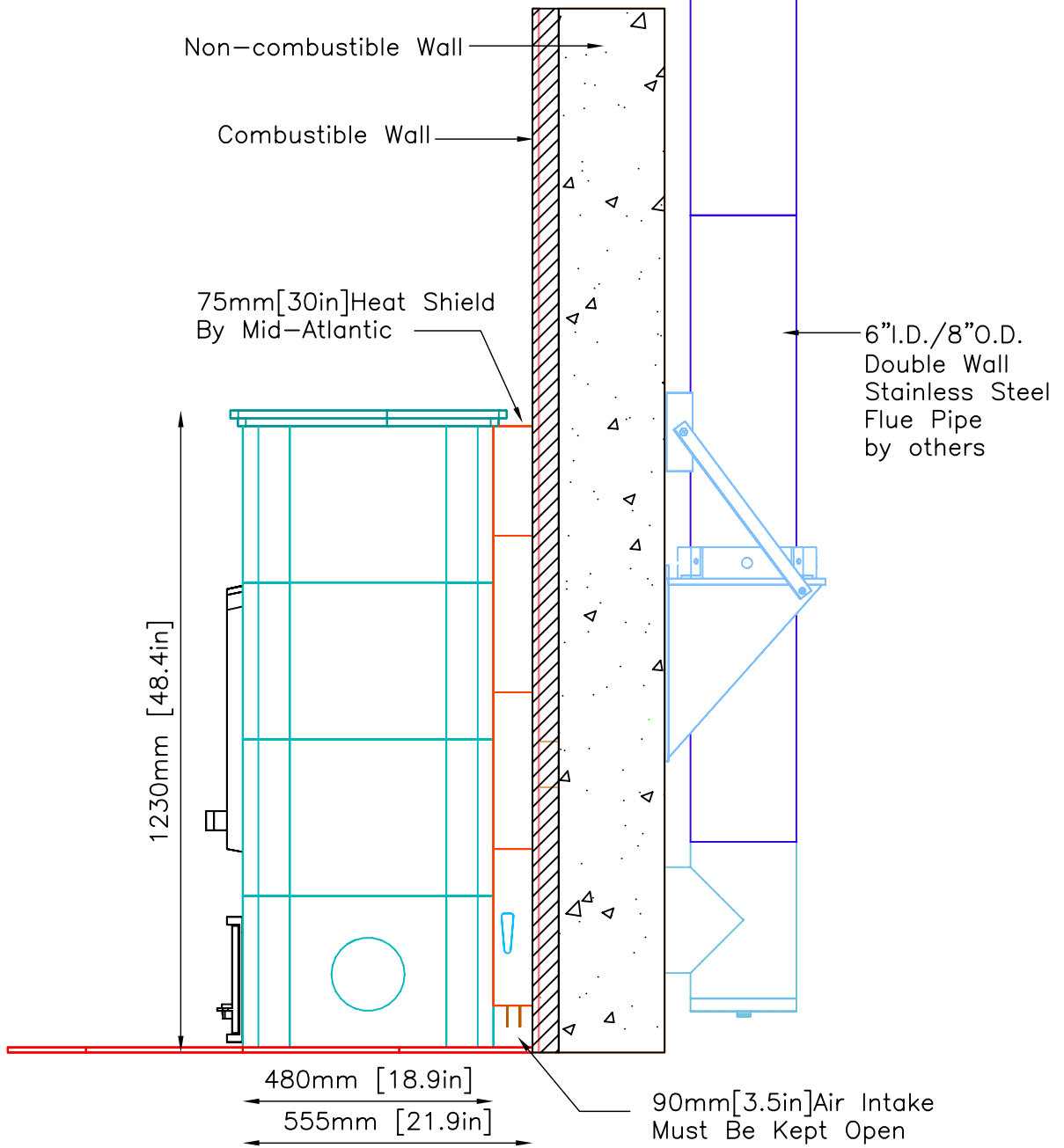
VIEW
FRONT
DATE
03/18/04

PAGE

2

SIDE VIEW

INFORMATION ONLY



NOTE: Hearth Tiles CUT AND INSTALLED by others



MID-ATLANTIC MASONRY HEAT
1229 Harris Street Suite 1
Charlottesville, VA 22903
(434)979-9709 Fax 434-979-6416

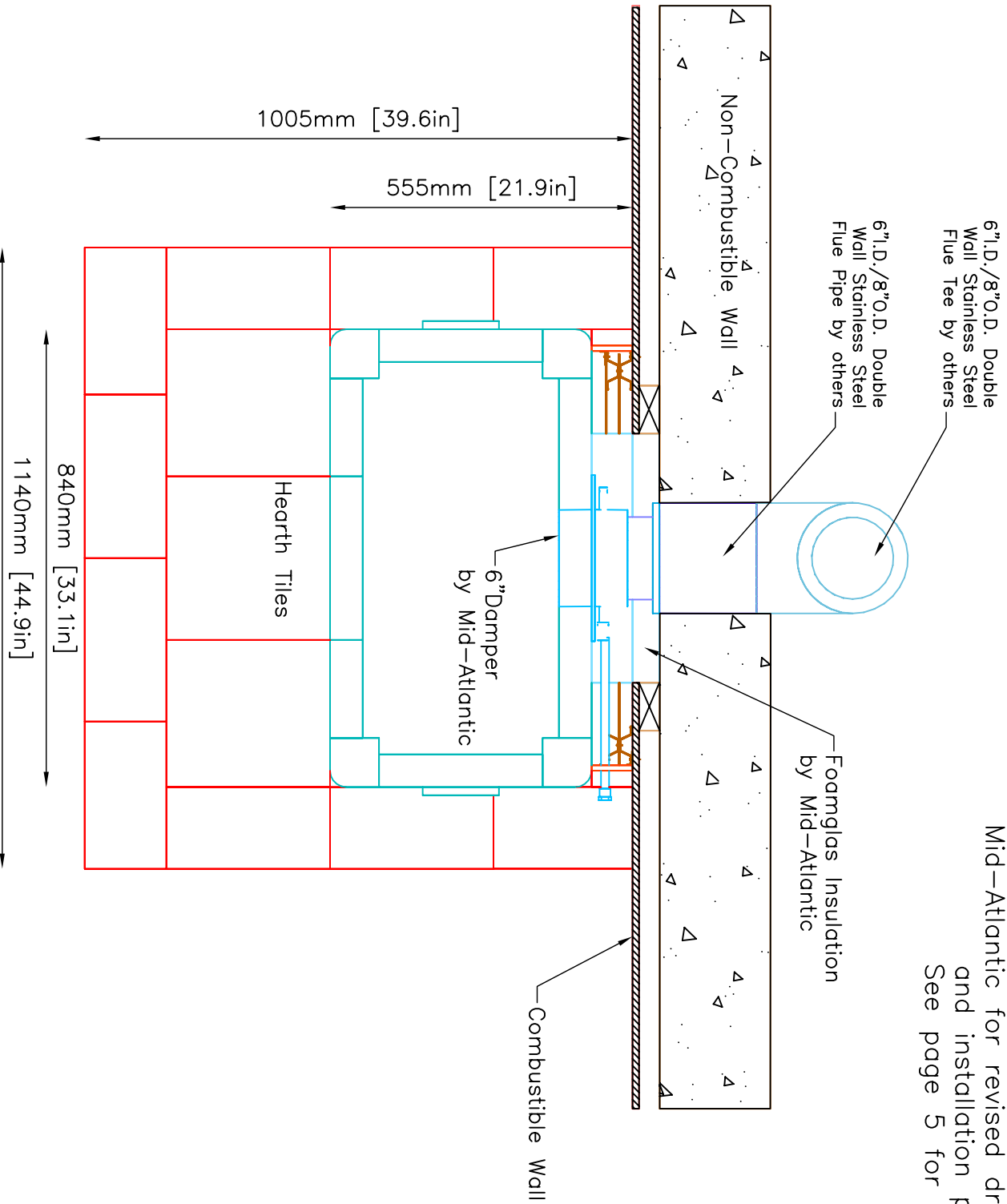
PROJECT KELLY
MODEL TU1000

CONTRACT 5630
DRAWN BY T.A. LA BIER

VIEW SIDE
DATE 03/18/04

PAGE 3

INFORMATION ONLY

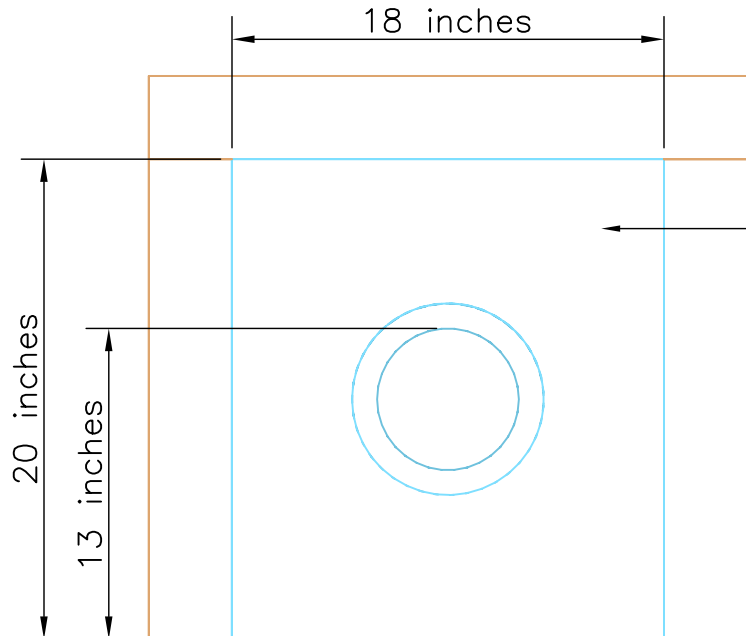


Flue Location may be offset up to 4 inches right or left. If greater offset is needed, contact Mid-Atlantic for revised drawings and installation pricing. See page 5 for Details

NOTE: Hearth Tiles CUT AND INSTALLED by others

INFORMATION ONLY

Flue Location may be offset up to 4 inches right or left of center of fireplace.
 If greater offset is needed, contact Mid-Atlantic for revised drawings and installation pricing.
 SEE PAGE 4

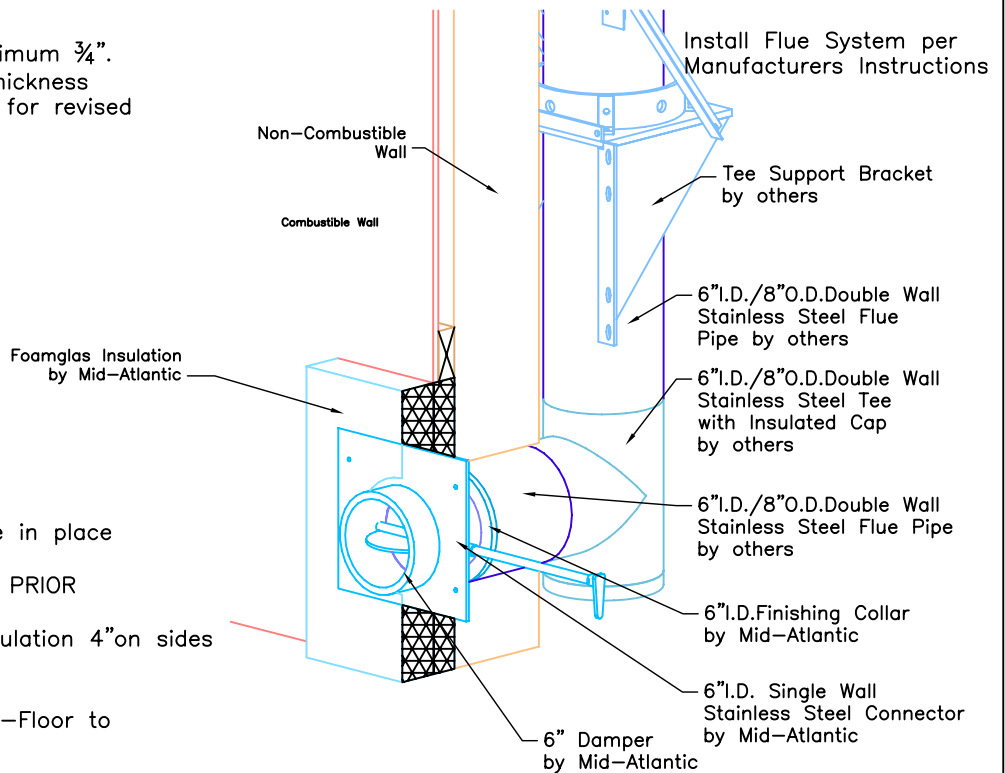


Foamglas Insulation by Mid-Atlantic

***CRITICAL DIMENSION:** 13" from Sub-floor to TOP INSIDE flue pipe.

Floor Line

Thickness of Finished Floor—Maximum $\frac{3}{4}$ ".
 If Finished Floor exceeds $\frac{3}{4}$ " Thickness Mid-Atlantic MUST be contacted for revised specifications.



Notes:

- Sheetrock behind Fireplace MUST be in place PRIOR to Installation.
- 18"X20" Opening MUST be in place PRIOR to Installation.
- UL Listed — Minimum Foamglas Insulation 4" on sides & 6" on top of Flue Pipe.

Chimney Placement

*CRITICAL DIMENSION: 13" from Sub-Floor to TOP INSIDE flue pipe.